



US00D696411S

(12) **United States Design Patent**
Imboden et al.

(10) **Patent No.:** **US D696,411 S**
(45) **Date of Patent:** **** Dec. 24, 2013**

(54) **COMPACT VIBRATORY MASSAGING DEVICE**

Primary Examiner — Sandra Snapp

(71) Applicant: **Jimmyjane, Inc.**, San Francisco, CA (US)

(57) **CLAIM**

The ornamental design for a compact vibratory massaging device, as shown and described.

(72) Inventors: **Ethan F. Imboden**, San Francisco, CA (US); **Jeff Wyatt**, Bozeman, MT (US)

(73) Assignee: **Jimmyjane, Inc.**, San Francisco, CA (US)

DESCRIPTION

(**) Term: **14 Years**

FIG. 1 is a front perspective view of a compact vibratory massaging device according to our new design;
FIG. 2 is a front view of the compact vibratory massaging device of FIG. 1;
FIG. 3 is a rear view of the compact vibratory massaging device of FIG. 1;
FIG. 4 is a left side view of the compact vibratory massaging device of FIG. 1;
FIG. 5 is a right side view of the compact vibratory massaging device of FIG. 1;
FIG. 6 is a top view of the compact vibratory massaging device of FIG. 1;
FIG. 7 is a bottom view of the compact vibratory massaging device of FIG. 1;
FIG. 8 is a front perspective view of an alternative embodiment of a compact vibratory massaging device according to our new design;
FIG. 9 is a front view of the compact vibratory massaging device of FIG. 8;
FIG. 10 is a rear view of the compact vibratory massaging device of FIG. 8;
FIG. 11 is a left side view of the compact vibratory massaging device of FIG. 8;
FIG. 12 is a right side view of the compact vibratory massaging device of FIG. 8;
FIG. 13 is a top view of the compact vibratory massaging device of FIG. 8; and,
FIG. 14 is a bottom view of the compact vibratory massaging device of FIG. 8.

(21) Appl. No.: **29/433,657**

(22) Filed: **Oct. 2, 2012**

(51) **LOC (9) Cl.** **28-03**

(52) **U.S. Cl.**
USPC **D24/215**

(58) **Field of Classification Search**
USPC D24/200, 211, 212, 213, 214, 215;
601/114, 120, 121, 124, 125, 130, 131,
601/134, 135, 136, 137
See application file for complete search history.

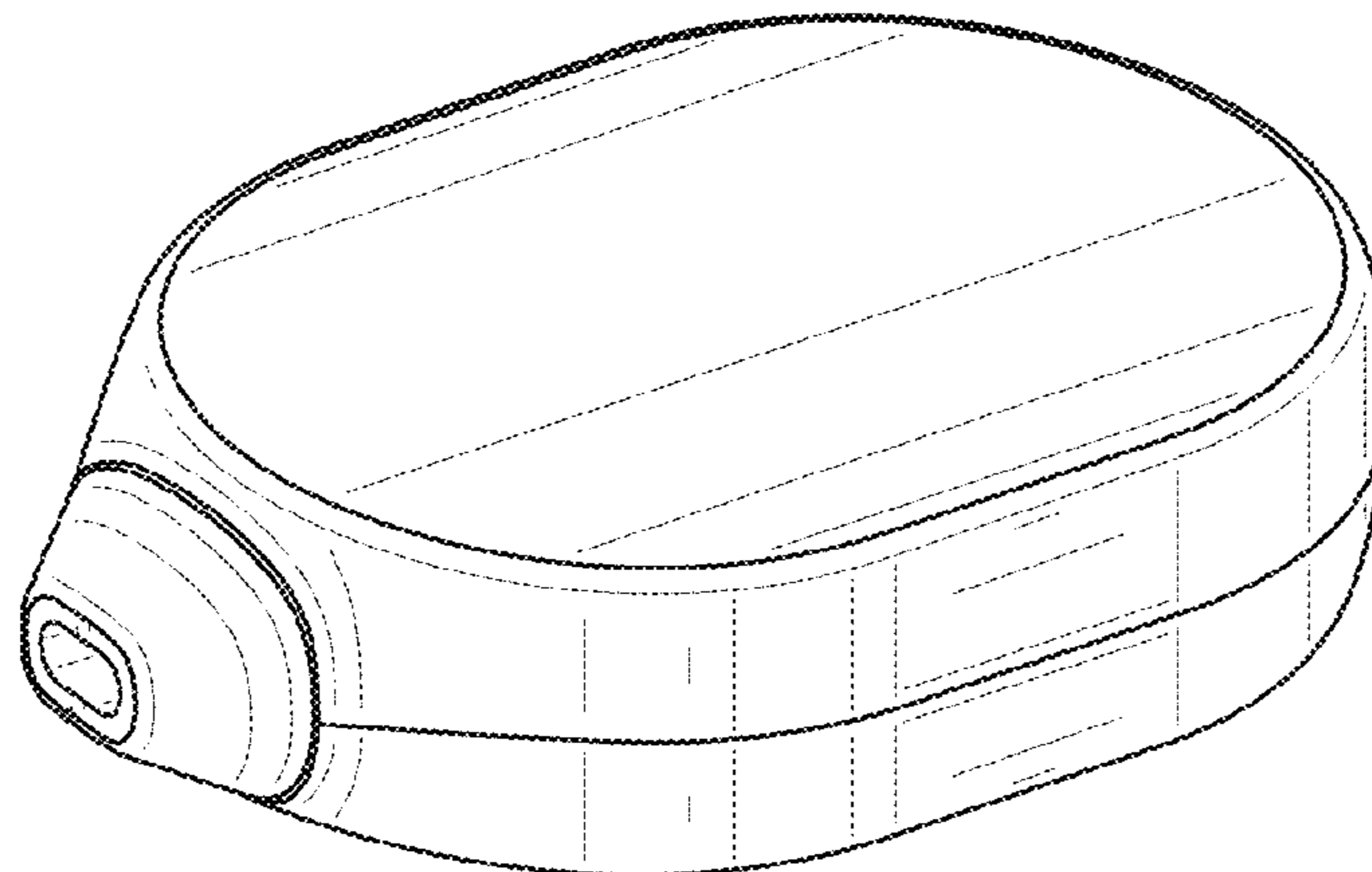
(56) **References Cited**

U.S. PATENT DOCUMENTS

4,461,285	A *	7/1984	Courtin	601/137
D345,801	S *	4/1994	Bosch	D24/200
D378,135	S *	2/1997	Sirois et al.	D24/215
6,748,604	B2 *	6/2004	Duboff et al.	2/160
6,991,598	B2 *	1/2006	Klein	600/38
D519,641	S *	4/2006	Lansohn	D24/209
D560,810	S *	1/2008	Hennessy	D24/215
D597,211	S *	7/2009	Ewing et al.	D24/187
D626,656	S *	11/2010	Jarry	D24/215
D637,306	S *	5/2011	Feuerabend et al.	D24/215
D649,258	S *	11/2011	Lev-Ran	D24/215
D657,885	S *	4/2012	Imboden et al.	D24/215
D664,665	S *	7/2012	Wahng et al.	D24/214
D665,093	S *	8/2012	Sedic	D24/215
D674,108	S *	1/2013	York	D24/215
2004/0267341	A1 *	12/2004	Harrison	607/108

* cited by examiner

1 Claim, 8 Drawing Sheets



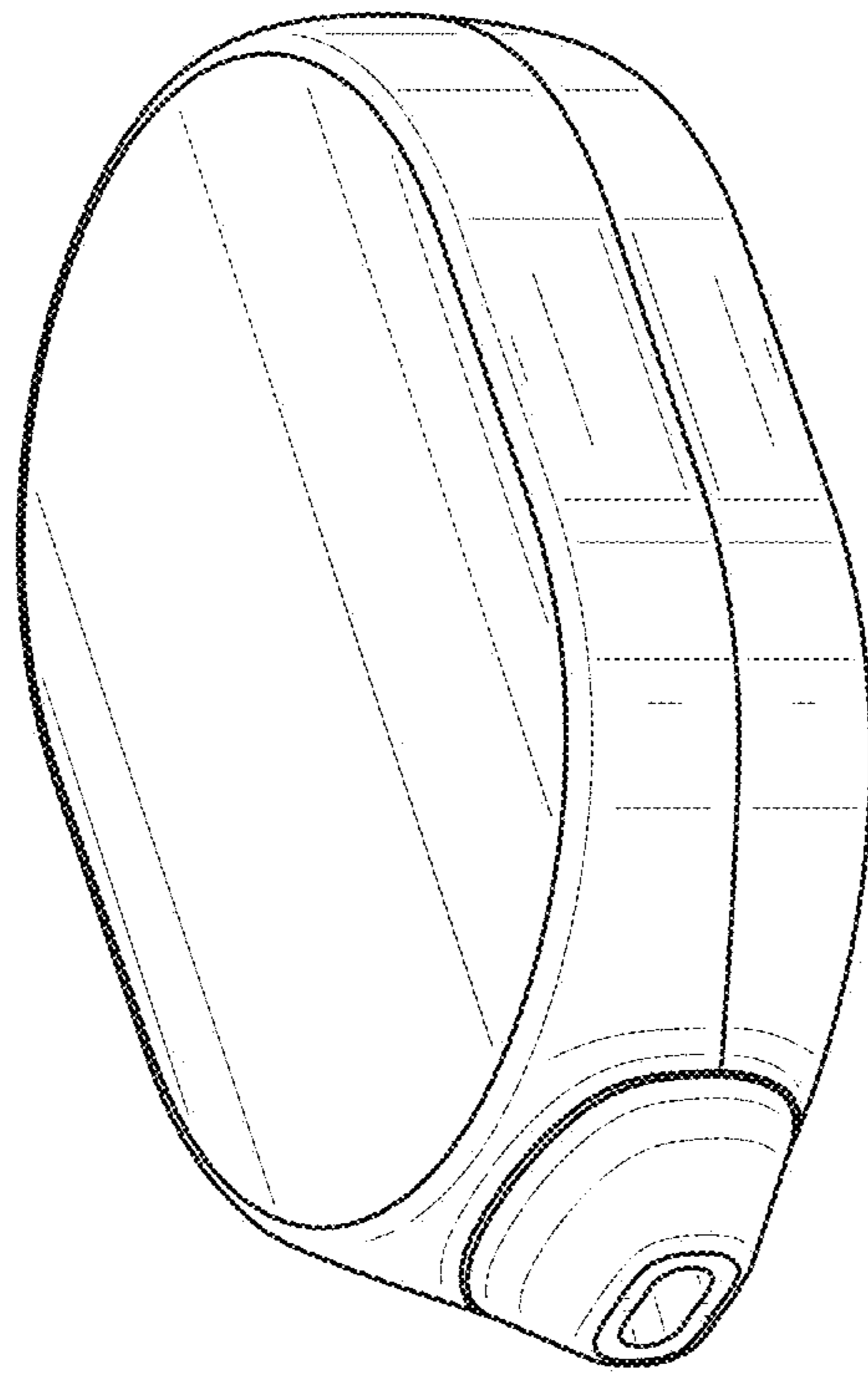


FIG. 1

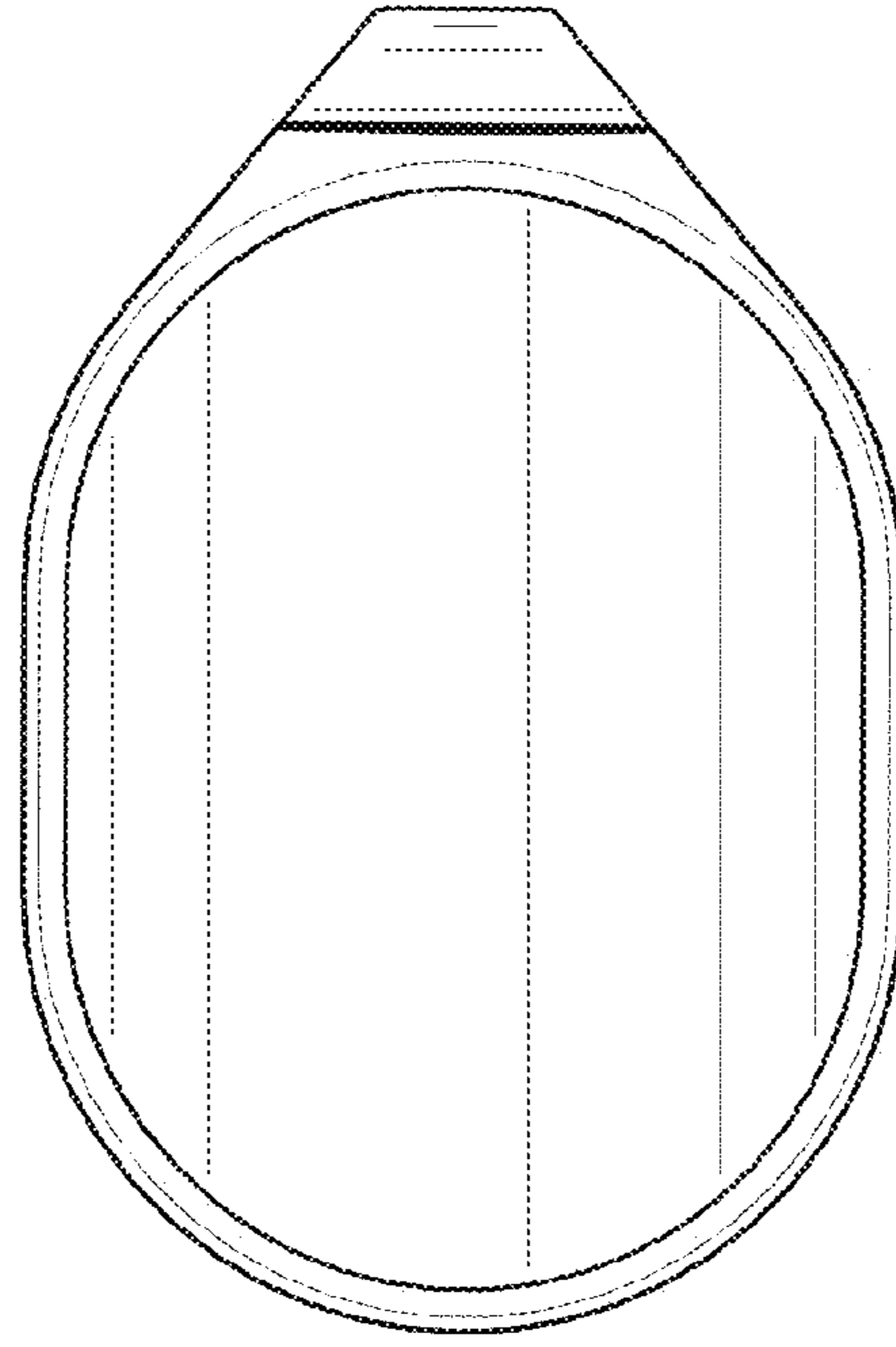


FIG. 3

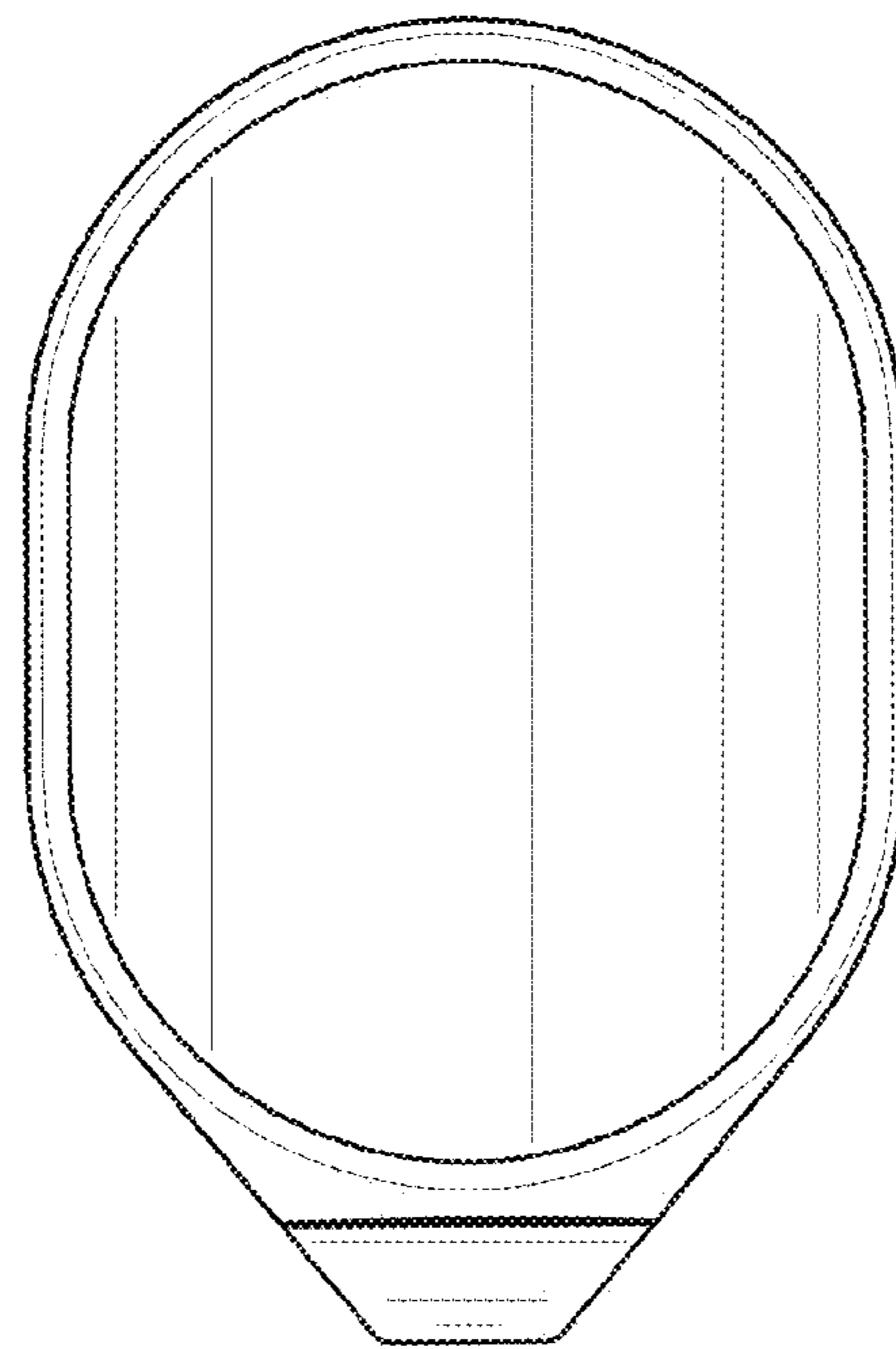


FIG. 2

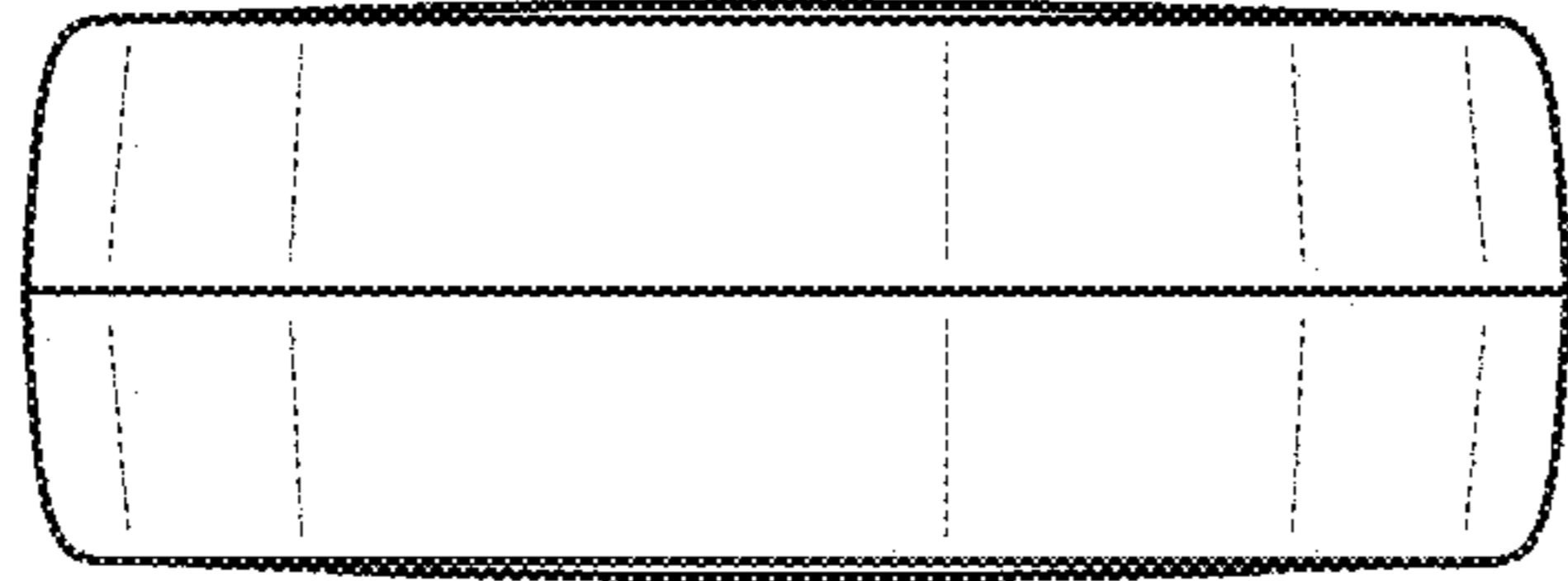


FIG. 5

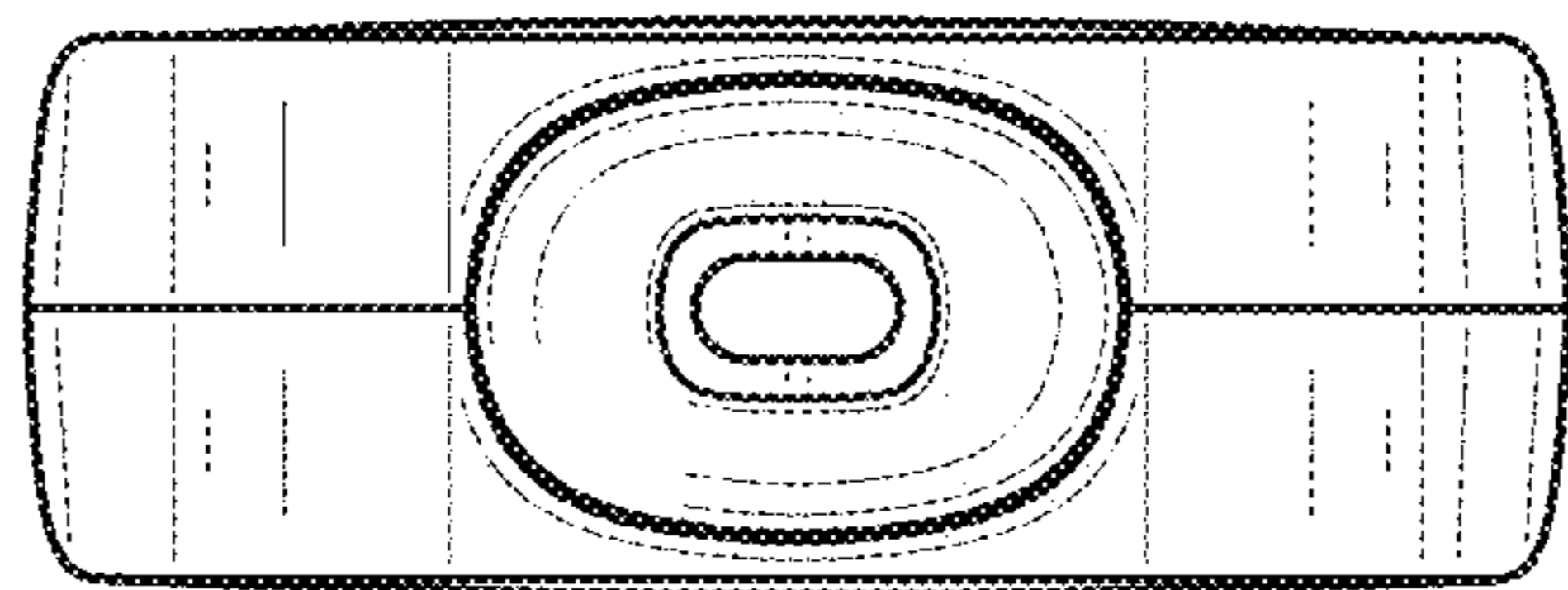


FIG. 4

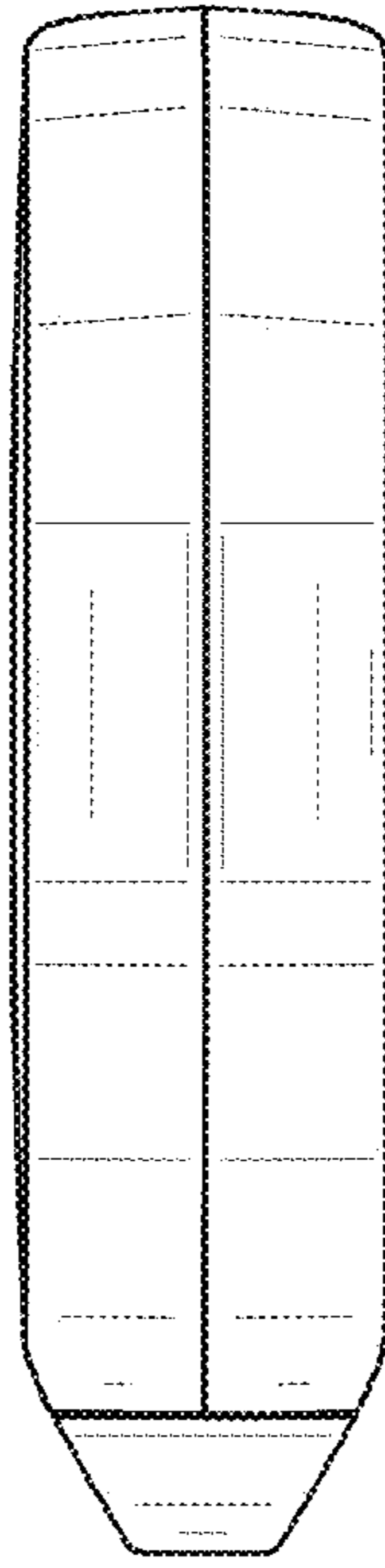


FIG. 6

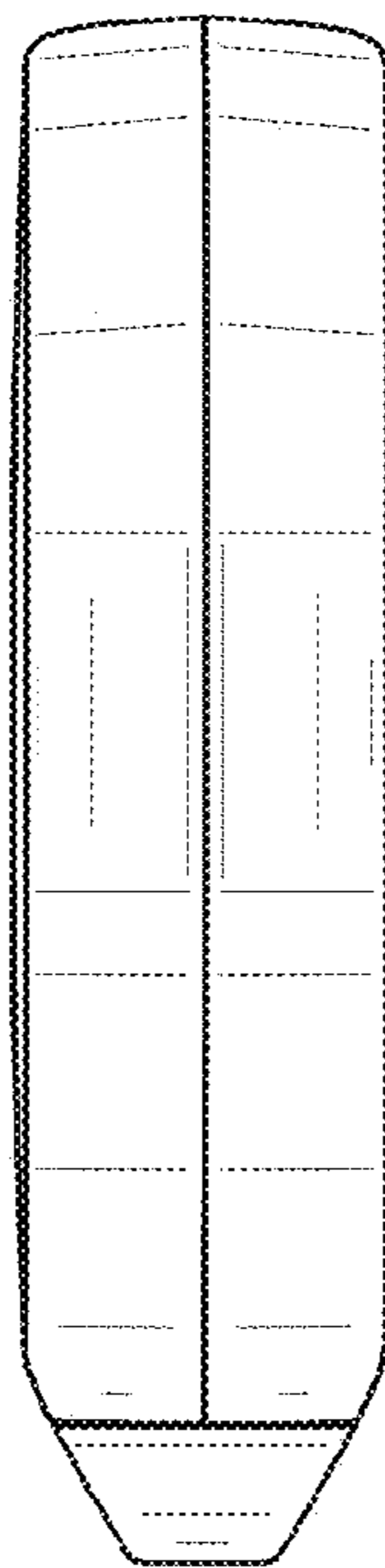


FIG. 7

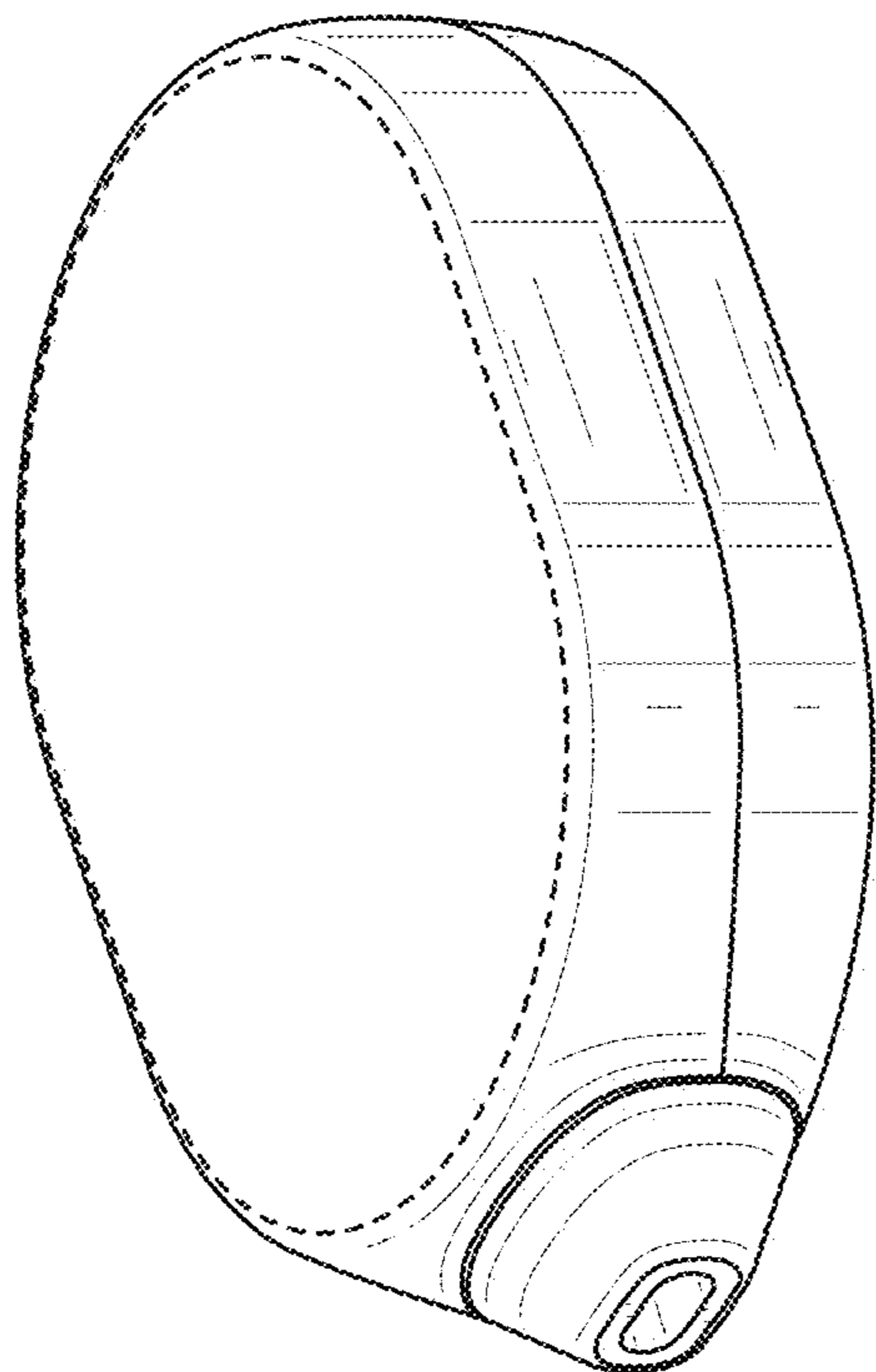


FIG. 8

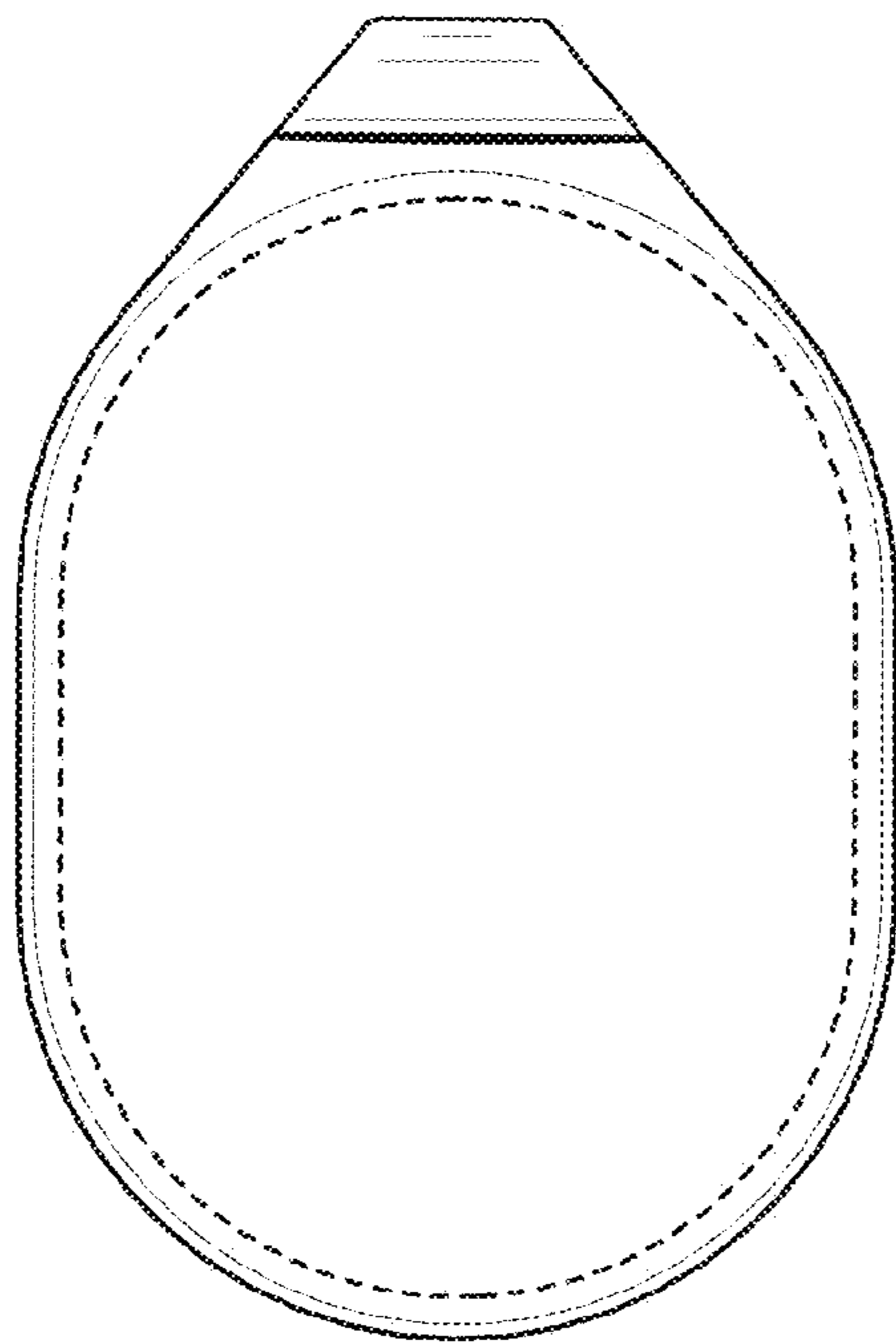


FIG. 9

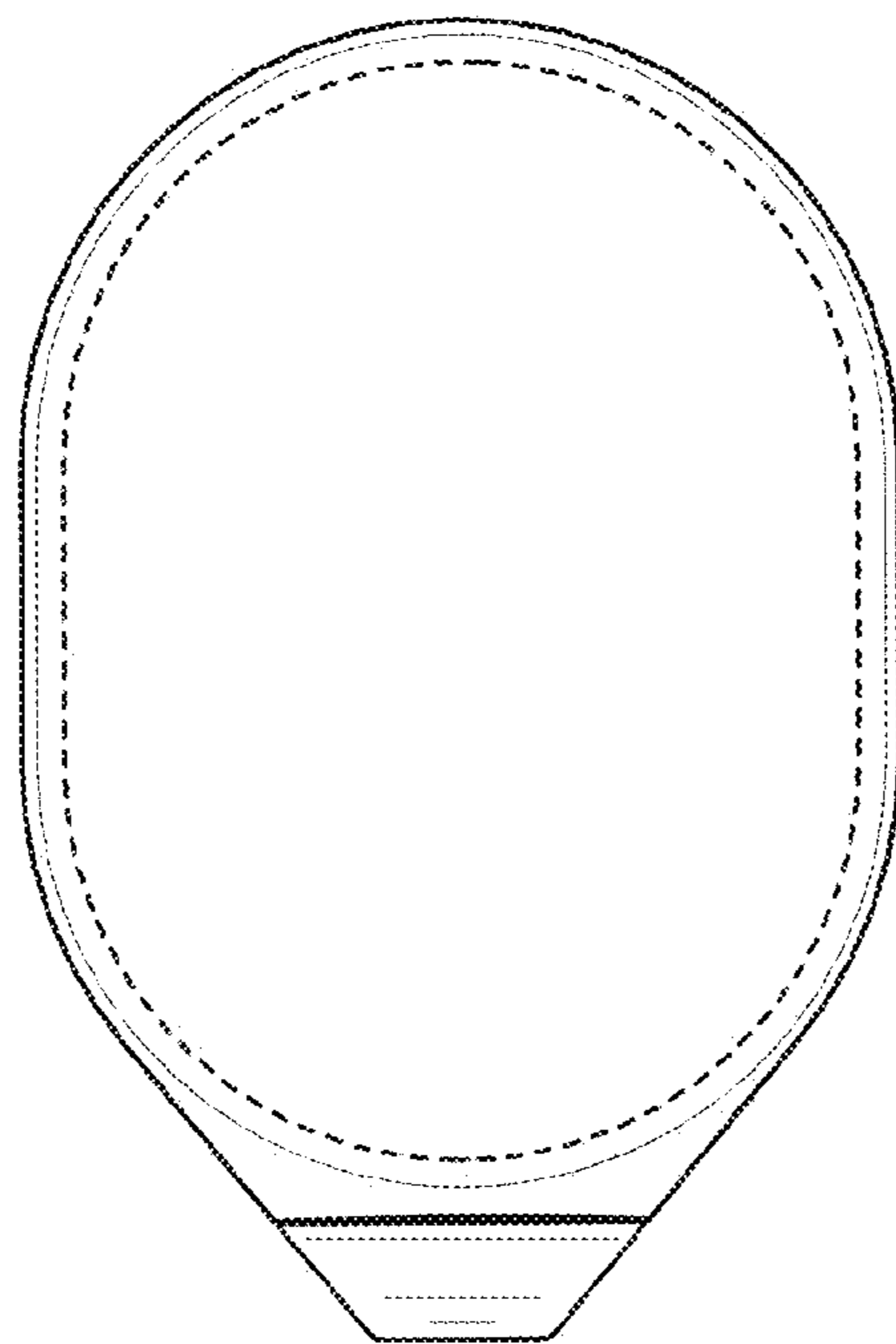


FIG. 10

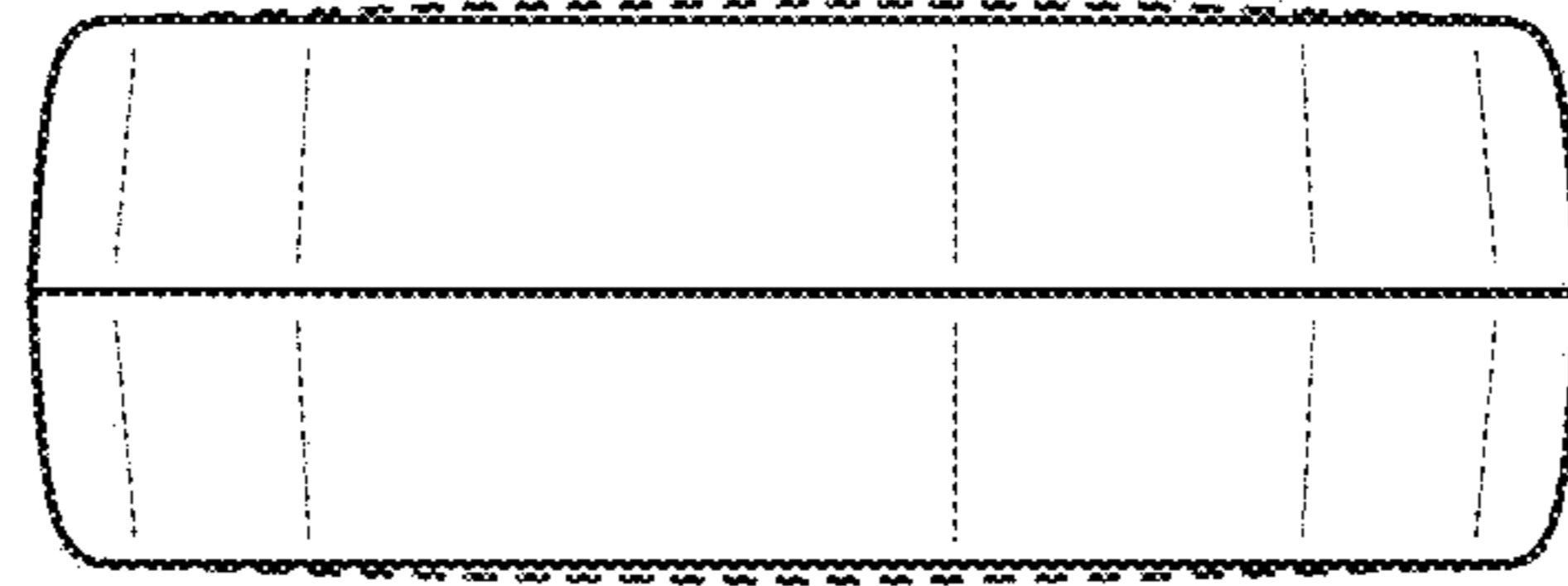


FIG. 12

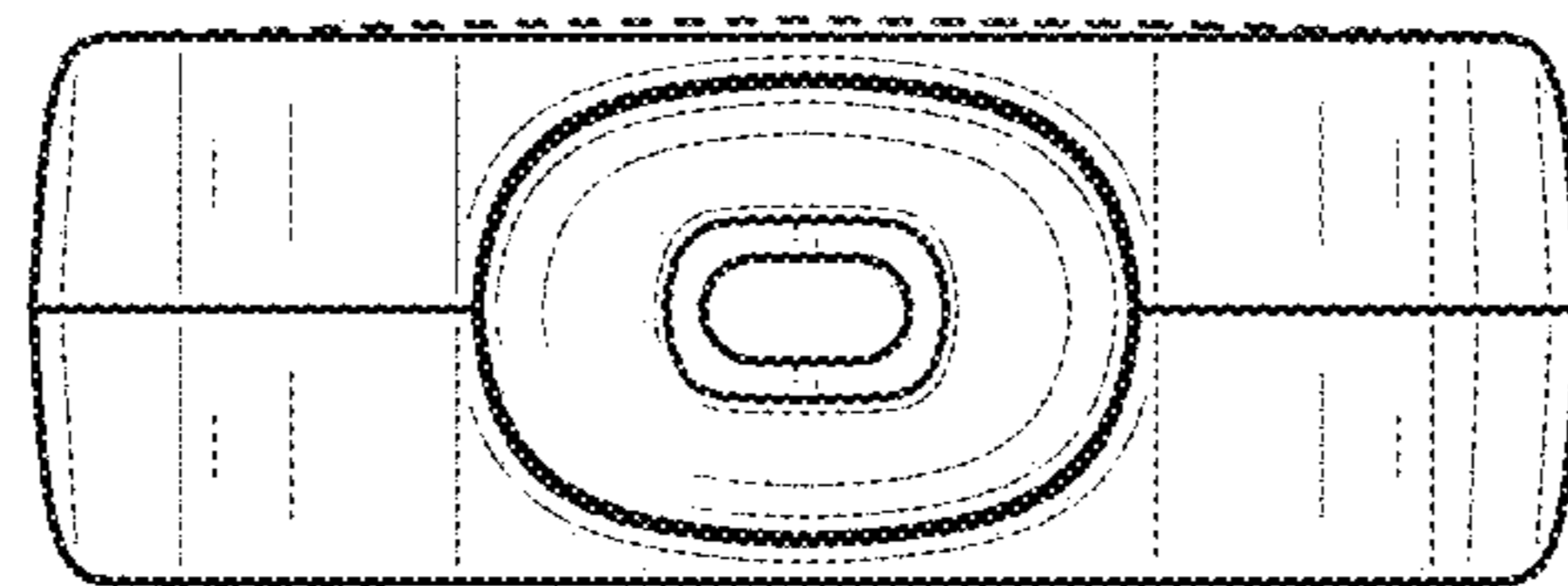


FIG. 11

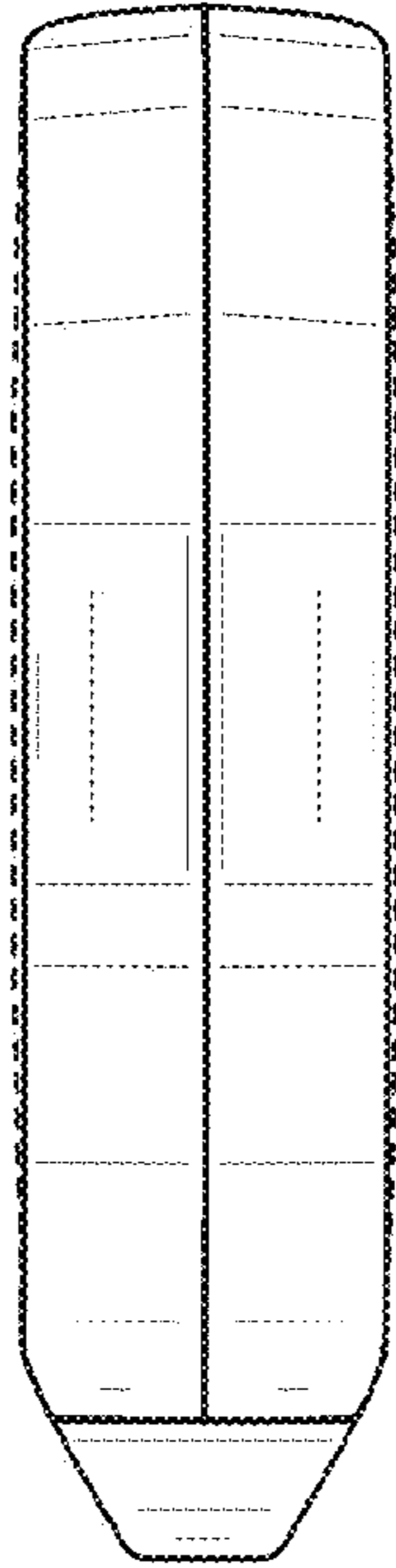


FIG. 13

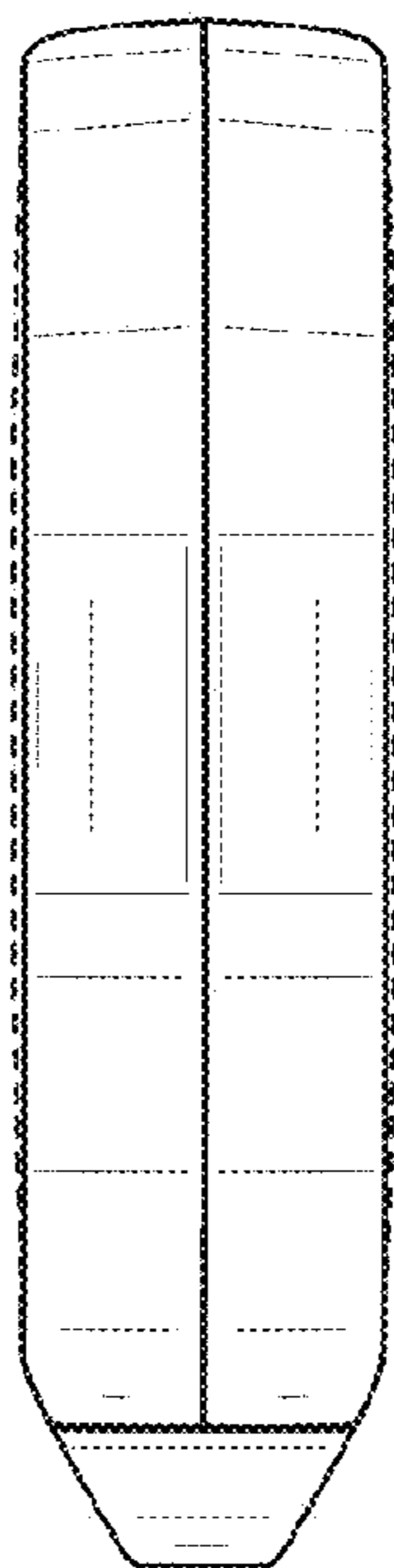


FIG. 14