



US00D696409S

(12) **United States Design Patent**
Best et al.

(10) **Patent No.:** **US D696,409 S**
(45) **Date of Patent:** **** Dec. 24, 2013**

(54) **ANKLE BRACE**
(71) Applicant: **Shock Doctor, Inc.**, Plymouth, MN (US)
(72) Inventors: **William Best**, Orono, MN (US); **Bastien Jourde**, Montreal (CA); **Thierry Petelle**, Montreal (CA)
(73) Assignee: **Shock Doctor, Inc.**, Plymouth, MN (US)
(**) Term: **14 Years**

(21) Appl. No.: **29/432,544**
(22) Filed: **Sep. 17, 2012**
(51) **LOC (9) Cl.** **24-01**
(52) **U.S. Cl.**
USPC **D24/192**
(58) **Field of Classification Search**
USPC D24/190, 192; 602/5, 7, 16, 23, 27, 28,
602/65; 128/882, 892; 5/630, 648, 651
See application file for complete search history.

(56) **References Cited**

U.S. PATENT DOCUMENTS

3,674,023	A *	7/1972	Mann	602/65
4,523,394	A *	6/1985	Lindh et al.	36/89
RE33,395	E *	10/1990	Peters	602/27
5,031,607	A *	7/1991	Peters	602/27
5,209,722	A *	5/1993	Miklaus et al.	602/27
5,445,602	A	8/1995	Grim et al.	
5,630,792	A *	5/1997	Neal	602/27
5,676,642	A *	10/1997	Peters	602/27
5,797,865	A *	8/1998	McDavid, III	602/27
5,836,903	A *	11/1998	Peters	602/27
5,902,259	A *	5/1999	Wilkerson	602/27
5,951,504	A *	9/1999	Iglesias et al.	602/27
5,971,946	A	10/1999	Quinn et al.	
6,146,350	A *	11/2000	Morton	602/27
D436,177	S *	1/2001	Miller	D24/192

6,602,215	B1 *	8/2003	Richie, Jr.	602/27
6,656,145	B1 *	12/2003	Morton	602/27
6,858,017	B2 *	2/2005	Peters	602/27
7,364,561	B1 *	4/2008	Morton	602/23
7,429,254	B1 *	9/2008	Engelman	602/27
7,615,026	B1	11/2009	Peters et al.	
7,713,224	B1	5/2010	Peters et al.	
D618,359	S *	6/2010	Einarsson	D24/192
7,828,758	B2	11/2010	Clements et al.	
D663,852	S *	7/2012	Joseph	D24/192
2006/0084899	A1 *	4/2006	Verkade et al.	602/27

FOREIGN PATENT DOCUMENTS

EP	0744906	B1	12/1996
EP	1152720	B1	11/2001
EP	1234560	A1	8/2002
EP	1346710	A1	9/2003
EP	1928369	A2	6/2008
EP	2050429	A1	4/2009

(Continued)

Primary Examiner — Susan E Krakower

(74) *Attorney, Agent, or Firm* — Faegre Baker Daniels LLP

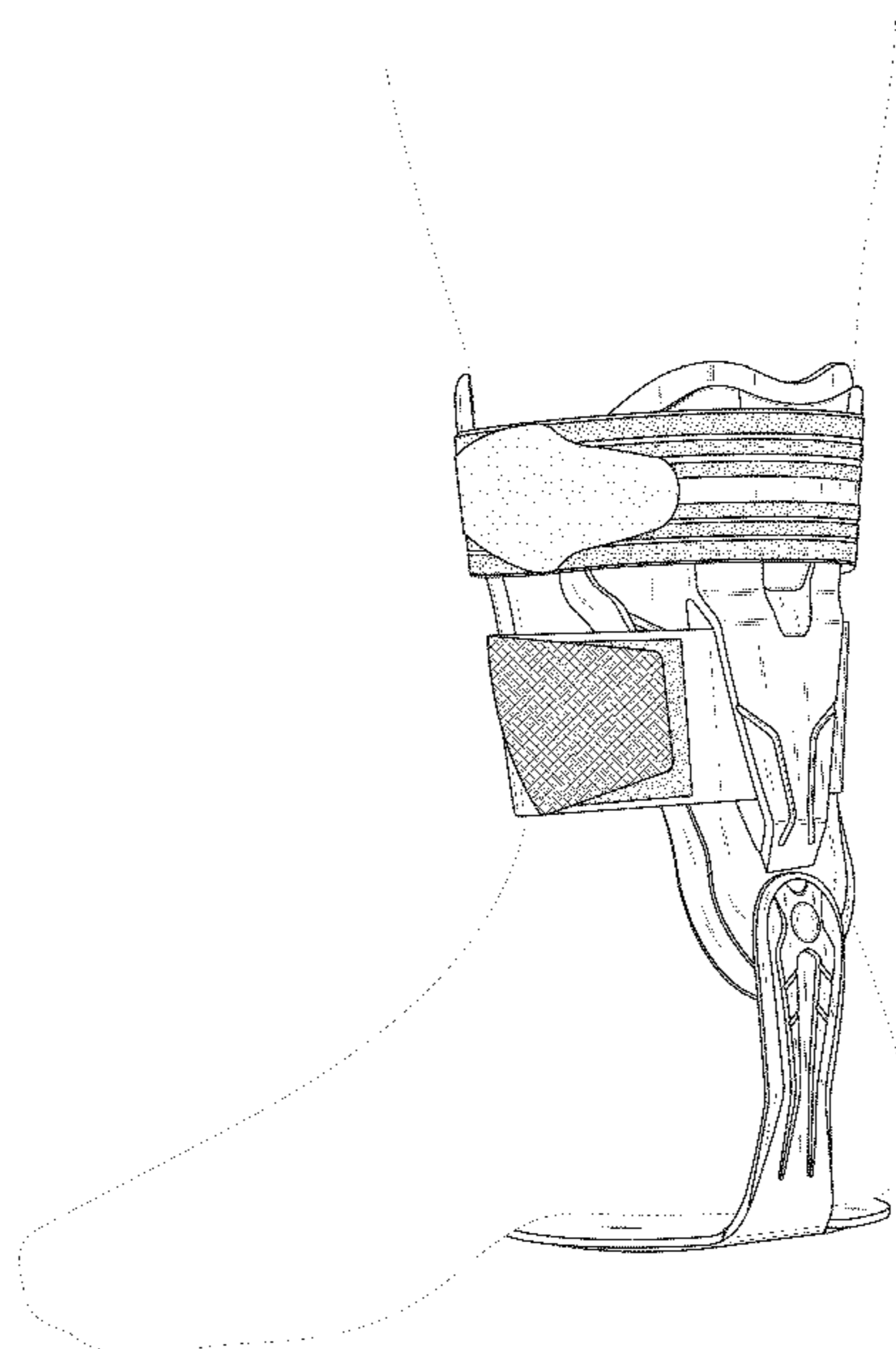
(57) **CLAIM**

The ornamental design for an ankle brace, as shown and described.

DESCRIPTION

FIG. 1 is a perspective view of an ankle brace.
FIG. 2 is a first side view of an ankle brace.
FIG. 3 is a second side view of an ankle brace.
FIG. 4 is a front view of an ankle brace.
FIG. 5 is a back view of an ankle brace.
FIG. 6 is a top view of an ankle brace; and,
FIG. 7 is a bottom view of an ankle brace.
The broken lines showing a foot in FIG. 1 illustrate environmental structure and form no part of the claimed design.

1 Claim, 6 Drawing Sheets



(56)

References Cited

FOREIGN PATENT DOCUMENTS

EP 2379020 A1 10/2011
WO WO9736507 A1 10/1997
WO WO0040202 A2 7/2000
WO WO2004009001 A1 1/2004
WO WO2004098467 A1 11/2004

WO WO2004108026 A1 12/2004
WO WO2006061603 A2 6/2006
WO WO2007041345 A2 4/2007
WO WO2007078845 A2 7/2007
WO WO2008028643 A1 3/2008
WO WO2009023094 A2 2/2009
WO WO2009090259 A1 7/2009
WO WO2010065097 A1 6/2010

* cited by examiner

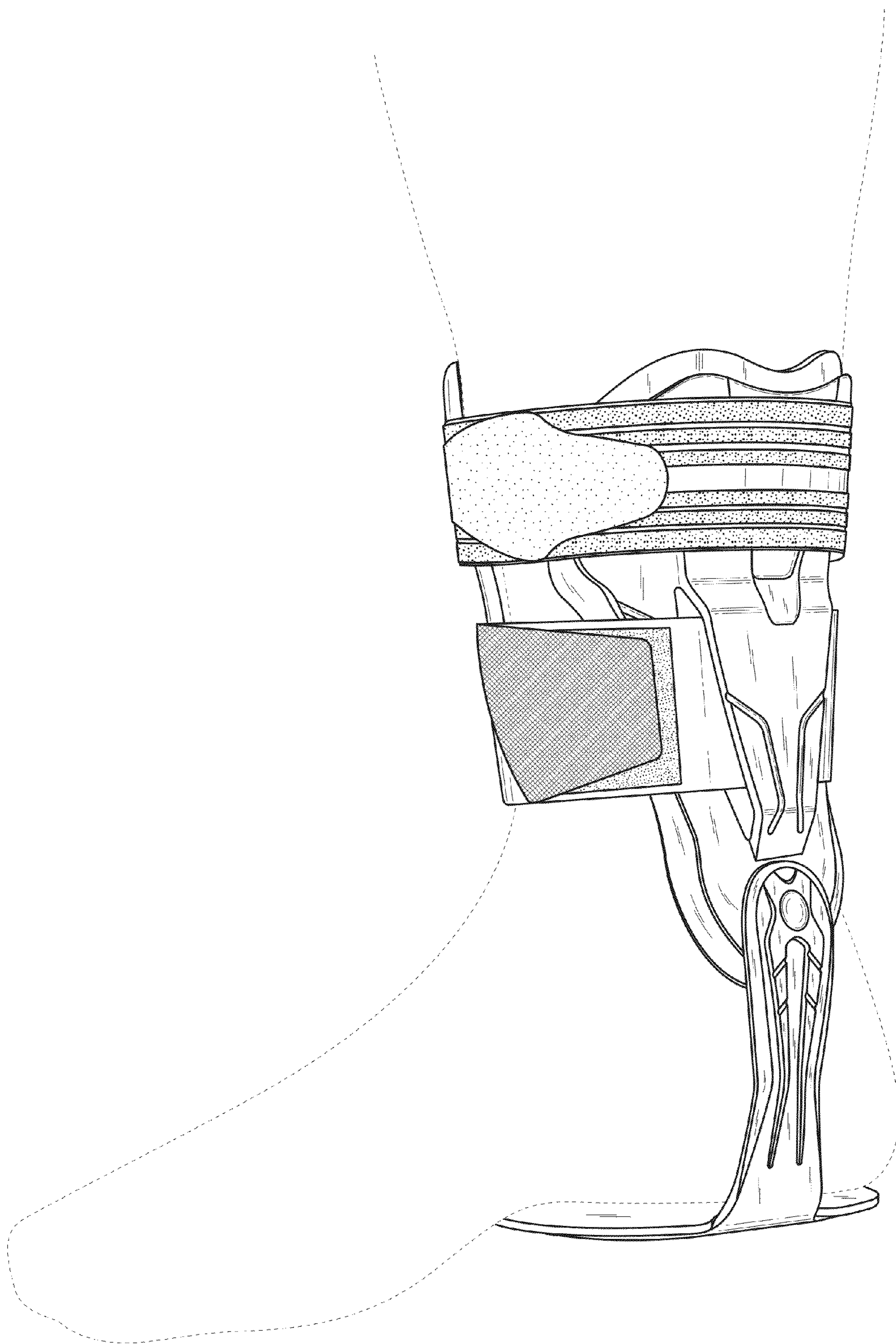


Fig. 1

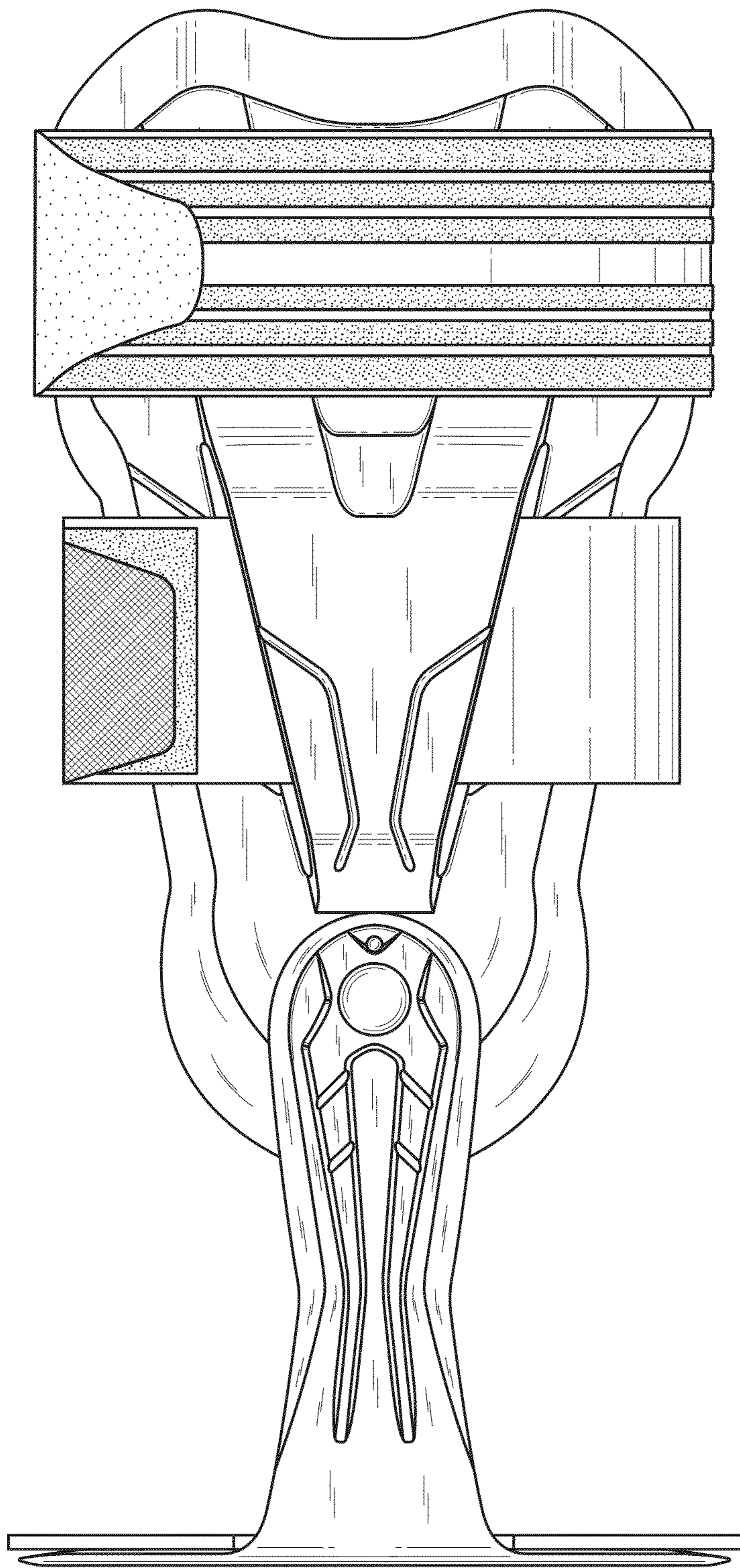


Fig. 2

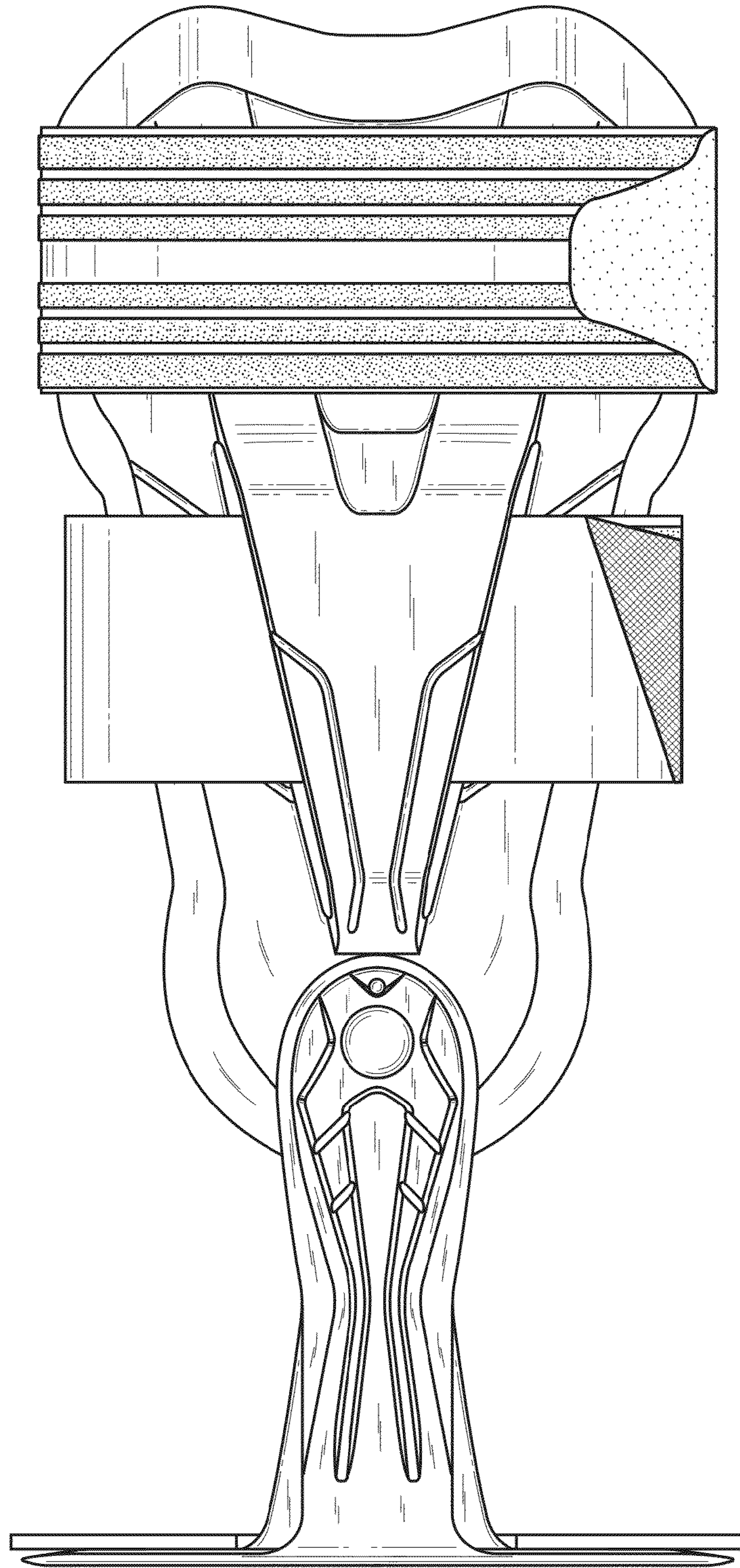


Fig. 3

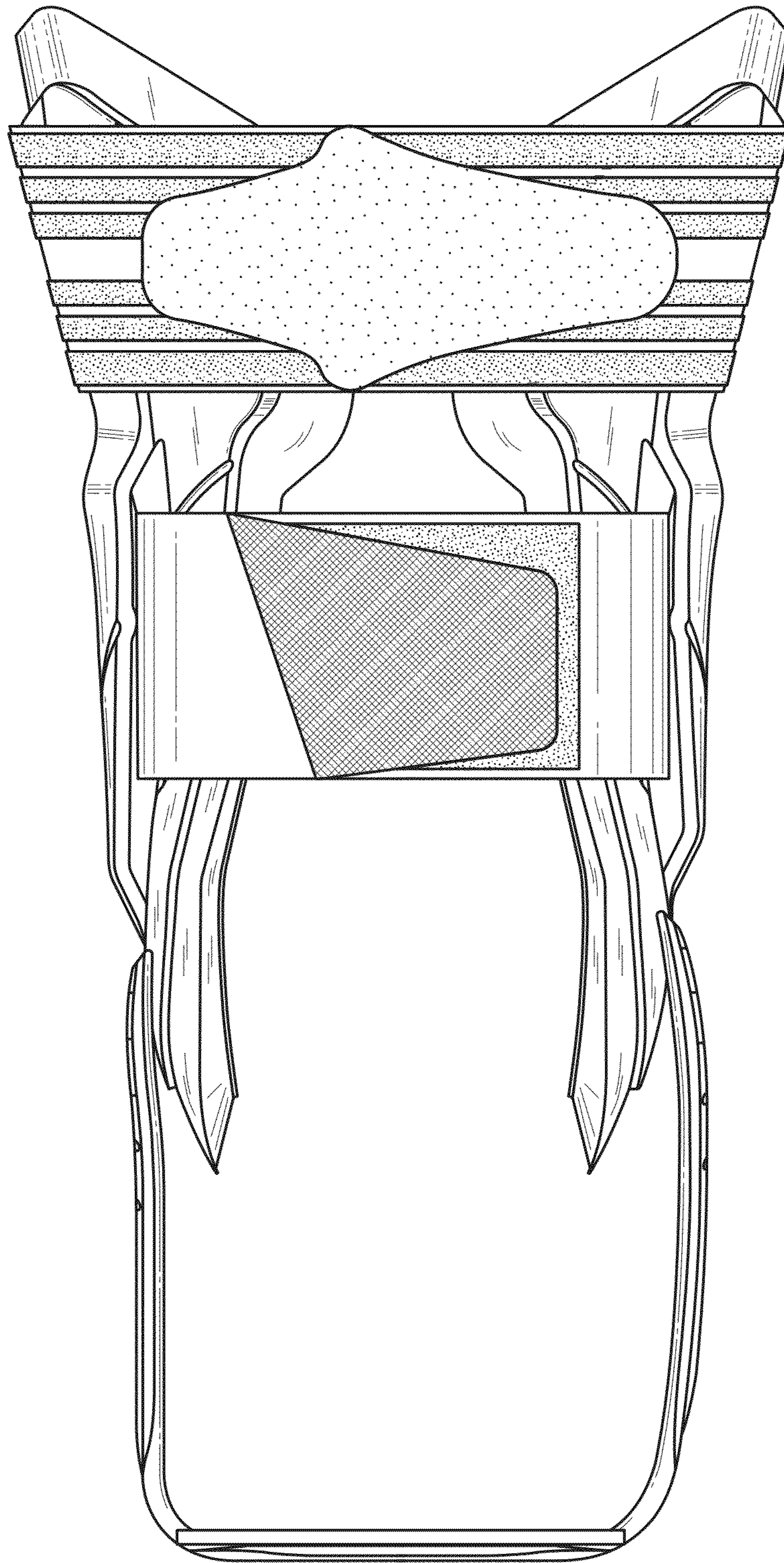


Fig. 4

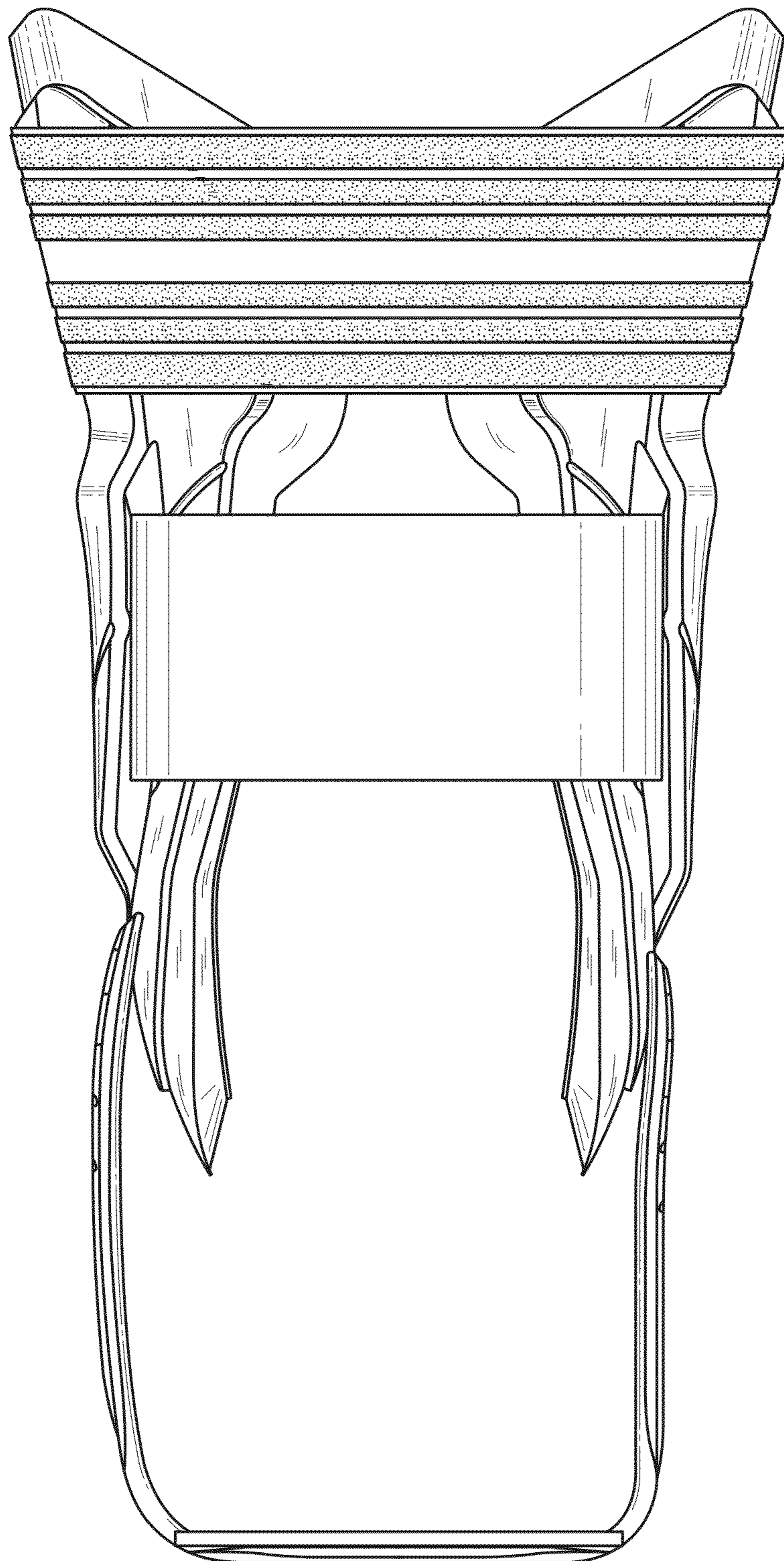


Fig. 5

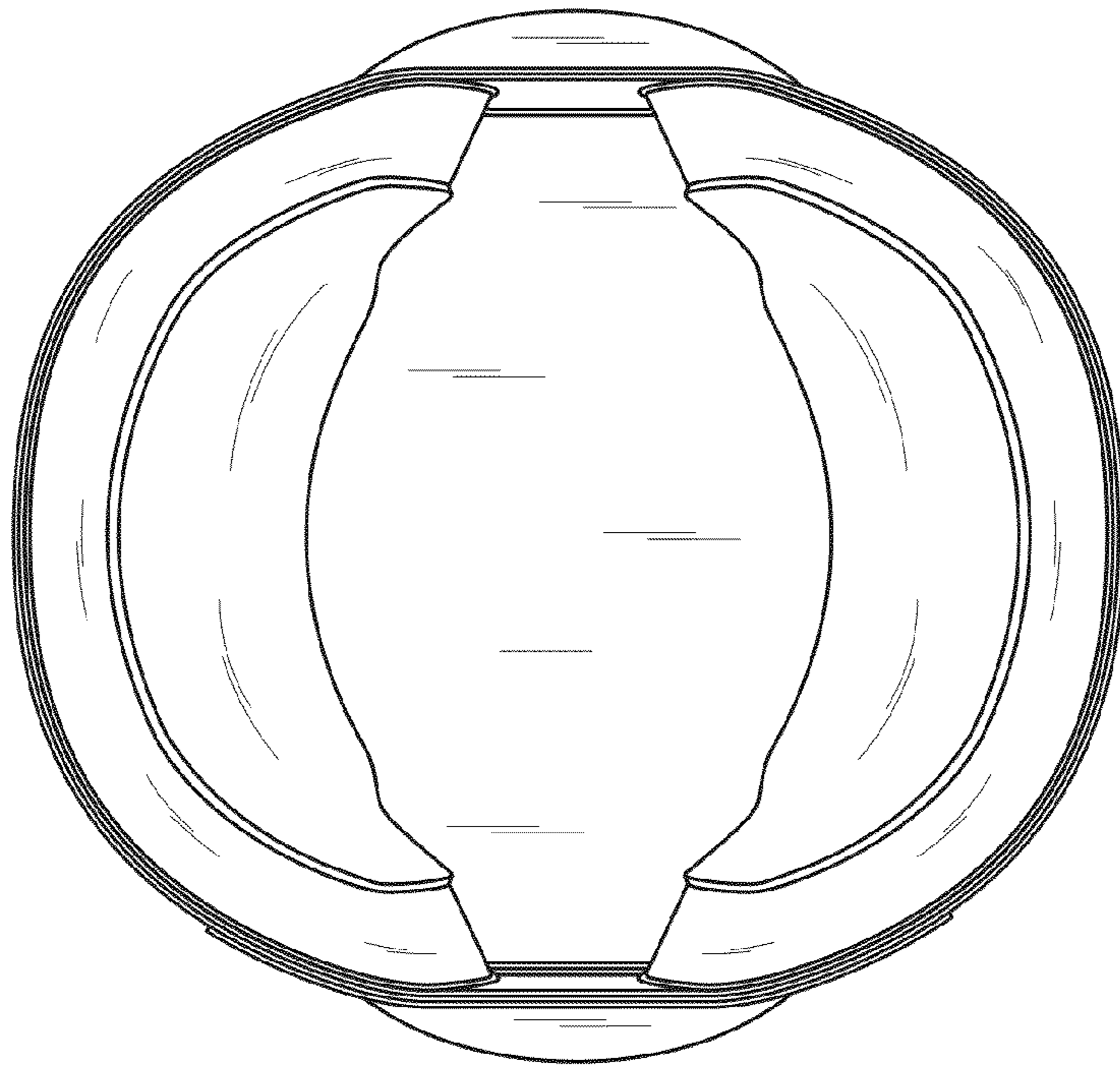


Fig. 6

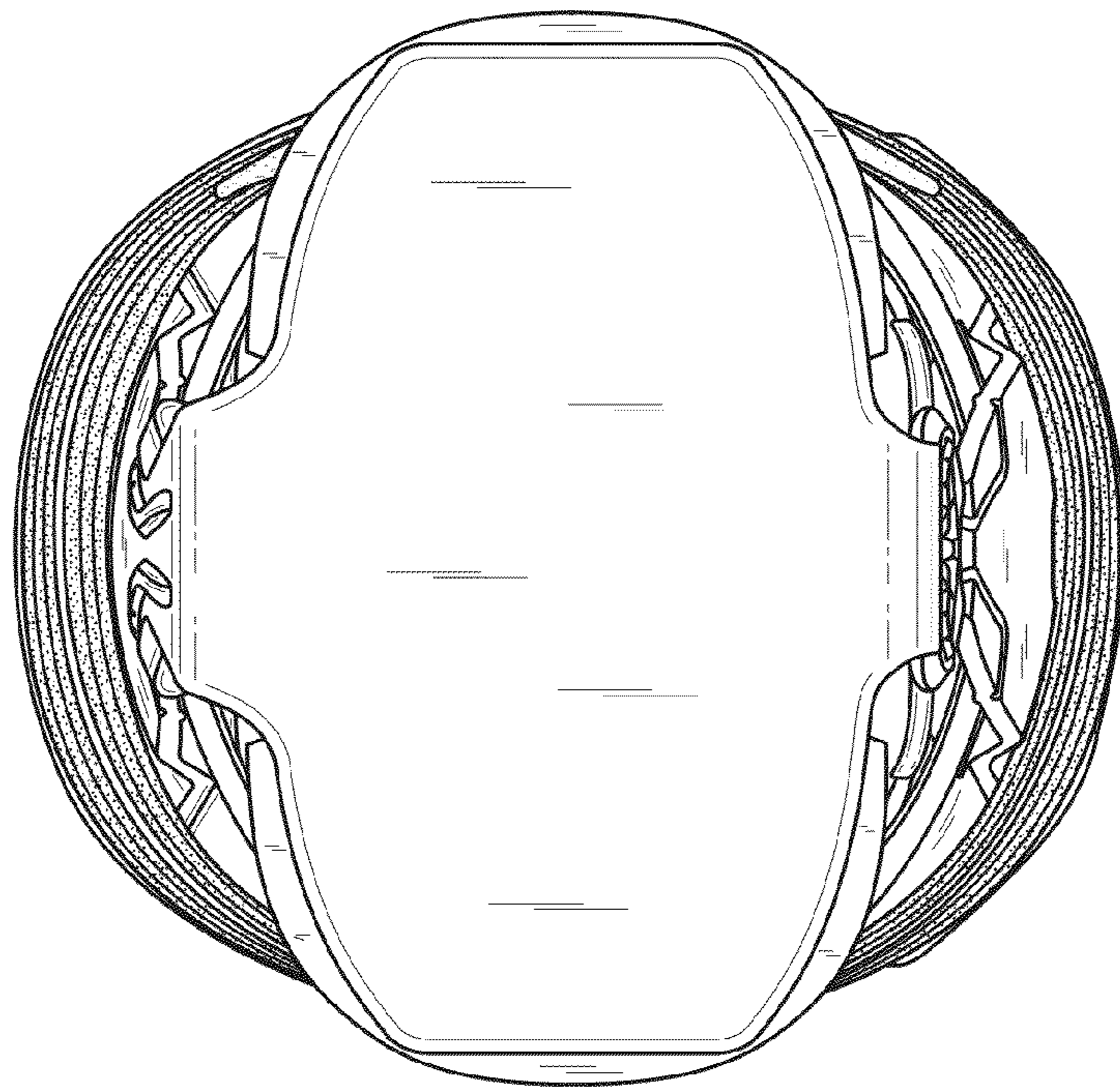


Fig. 7