



US00D696407S

(12) **United States Design Patent**  
**Herman et al.**

(10) **Patent No.:** **US D696,407 S**

(45) **Date of Patent:** **\*\* Dec. 24, 2013**

(54) **SPINAL COLUMN CORRECTIVE DEVICE**

(76) Inventors: **Robert J. Herman**, Minnetrista, MN (US); **Shelly R. Herman**, Minnetrista, MN (US)

(\*\*) Term: **14 Years**

(21) Appl. No.: **29/401,993**

(22) Filed: **Sep. 19, 2011**

(51) **LOC (9) Cl.** ..... **24-04**

(52) **U.S. Cl.**  
USPC ..... **D24/188**

(58) **Field of Classification Search**  
USPC ..... D24/188, 190-192, 171; 602/19, 32, 602/33, 34, 35, 36, 38, 39, 4  
See application file for complete search history.

(56) **References Cited**

**U.S. PATENT DOCUMENTS**

776,335	A	11/1904	Langworthy	
901,628	A	3/1906	Langworthy	
1,756,358	A *	4/1930	Ingram	2/465
2,541,487	A *	2/1951	Triplett	602/19
2,828,737	A *	4/1958	Hale	602/19
3,906,943	A *	9/1975	Arluck	602/7
4,602,619	A *	7/1986	Wolf et al.	606/241
4,655,206	A *	4/1987	Moody	5/628
4,807,605	A *	2/1989	Mattingly	602/19
D300,856	S *	4/1989	Bojsen-Moller	D24/190
5,120,288	A	6/1992	Sinaki	
D329,925	S *	9/1992	Tilbury	D29/100
5,176,706	A *	1/1993	Lee	606/237
5,279,310	A	1/1994	Hsien	
D362,914	S *	10/1995	Mann	D24/190
5,774,916	A *	7/1998	Kurhi	5/632
5,906,586	A *	5/1999	Graham	602/32
5,987,675	A *	11/1999	Kim	5/632

D480,146	S *	9/2003	Crutchfield	D24/190
6,827,694	B2	12/2004	Gladoun	
7,316,707	B2	1/2008	Kalina et al.	
8,029,453	B2 *	10/2011	Graham	602/33
8,398,528	B2 *	3/2013	Fukunaga	482/51

\* cited by examiner

*Primary Examiner* — Michael A. Pratt

*Assistant Examiner* — Michelle E Wilson

(74) *Attorney, Agent, or Firm* — Antonio Papageorgiou; Ostrow Kaufman LLP

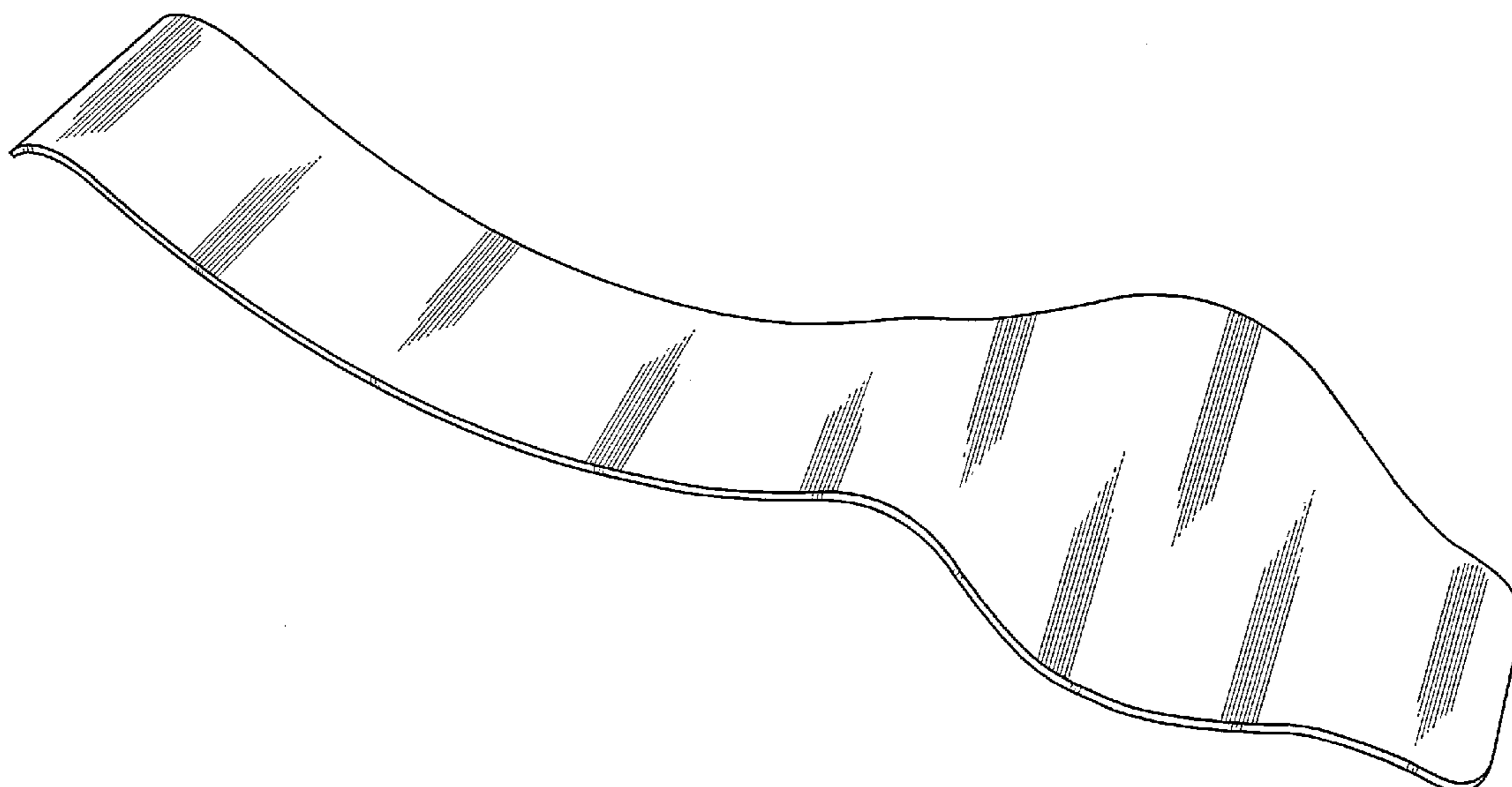
(57) **CLAIM**

The ornamental design for spinal column corrective device, as shown and described.

**DESCRIPTION**

FIG. 1 is a perspective view of one side and the top of the spinal column corrective device according to one embodiment of my new design;  
 FIG. 2 is a top view thereof;  
 FIG. 3 is a left side view thereof;  
 FIG. 4 is a right side view thereof;  
 FIG. 5 is a bottom view thereof;  
 FIG. 6 is a front view thereof; and  
 FIG. 7 is a back view thereof.  
 FIG. 8 is a perspective view of one side and the top of another embodiment of my new design;  
 FIG. 9 is a top view thereof;  
 FIG. 10 is a left side view thereof;  
 FIG. 11 is a right side view thereof;  
 FIG. 12 is a bottom view thereof;  
 FIG. 13 is a front view thereof; and,  
 FIG. 14 is a back view thereof.

**1 Claim, 10 Drawing Sheets**



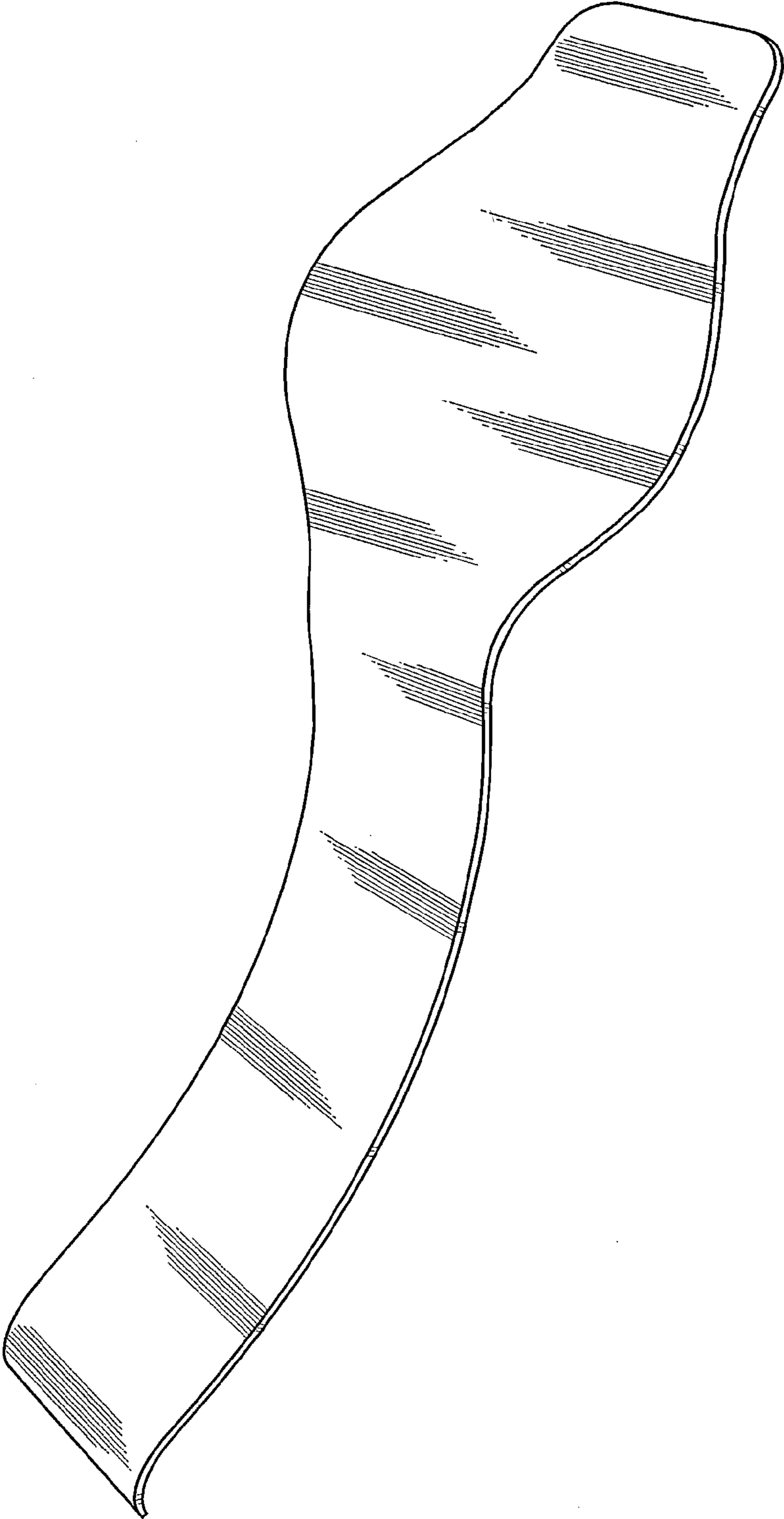


FIG. 1

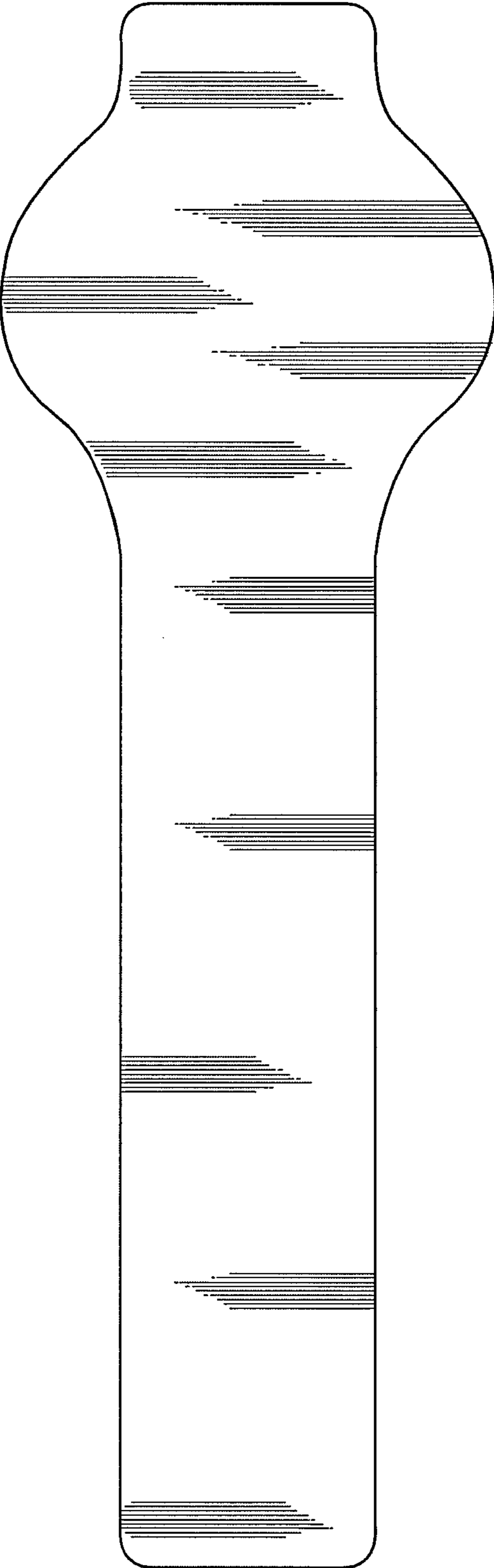
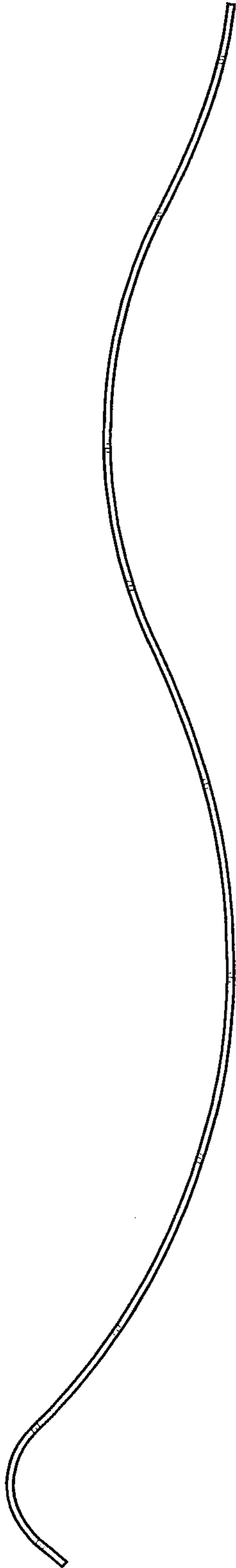
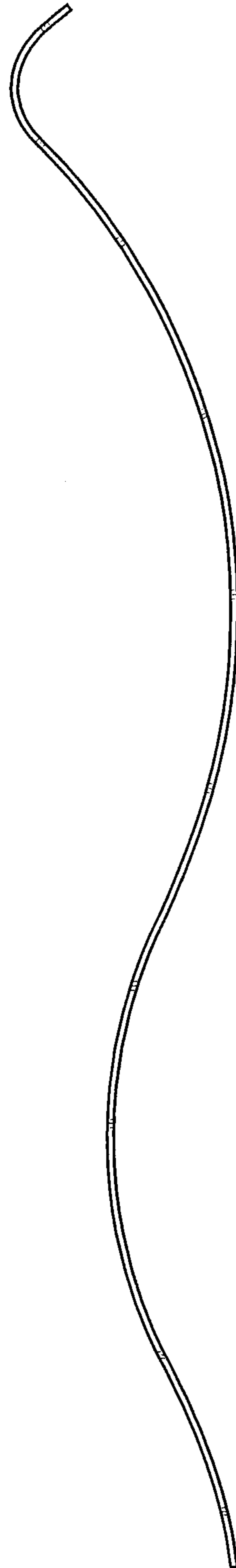


FIG. 2



**FIG. 3**



**FIG. 4**

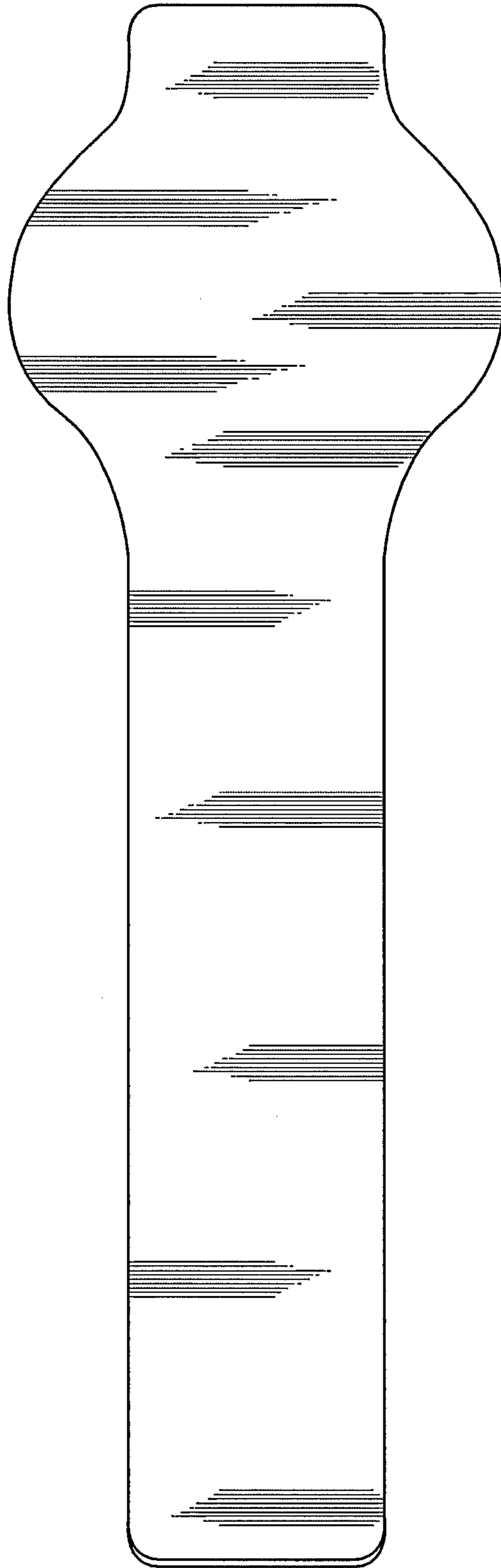


FIG. 5

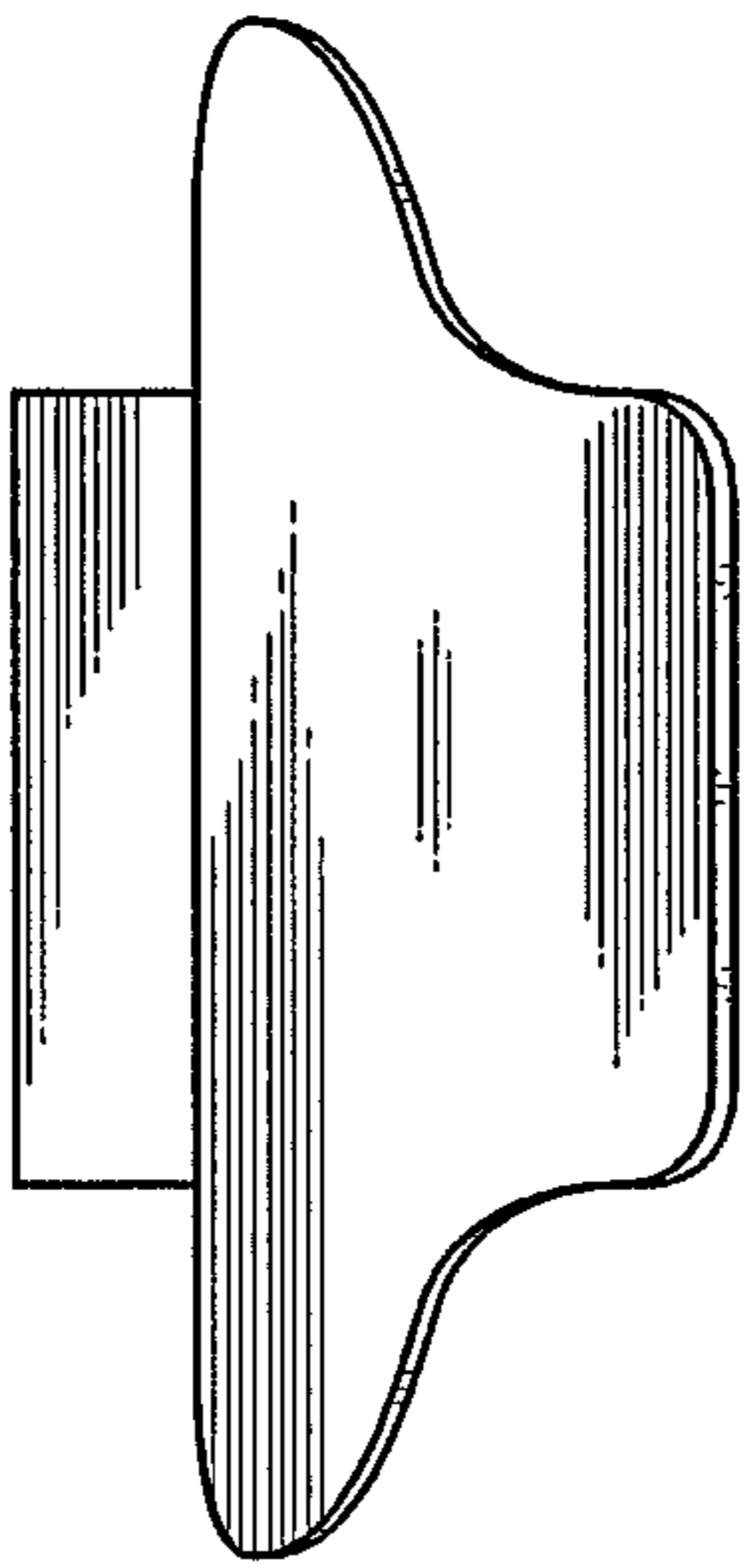


FIG. 6

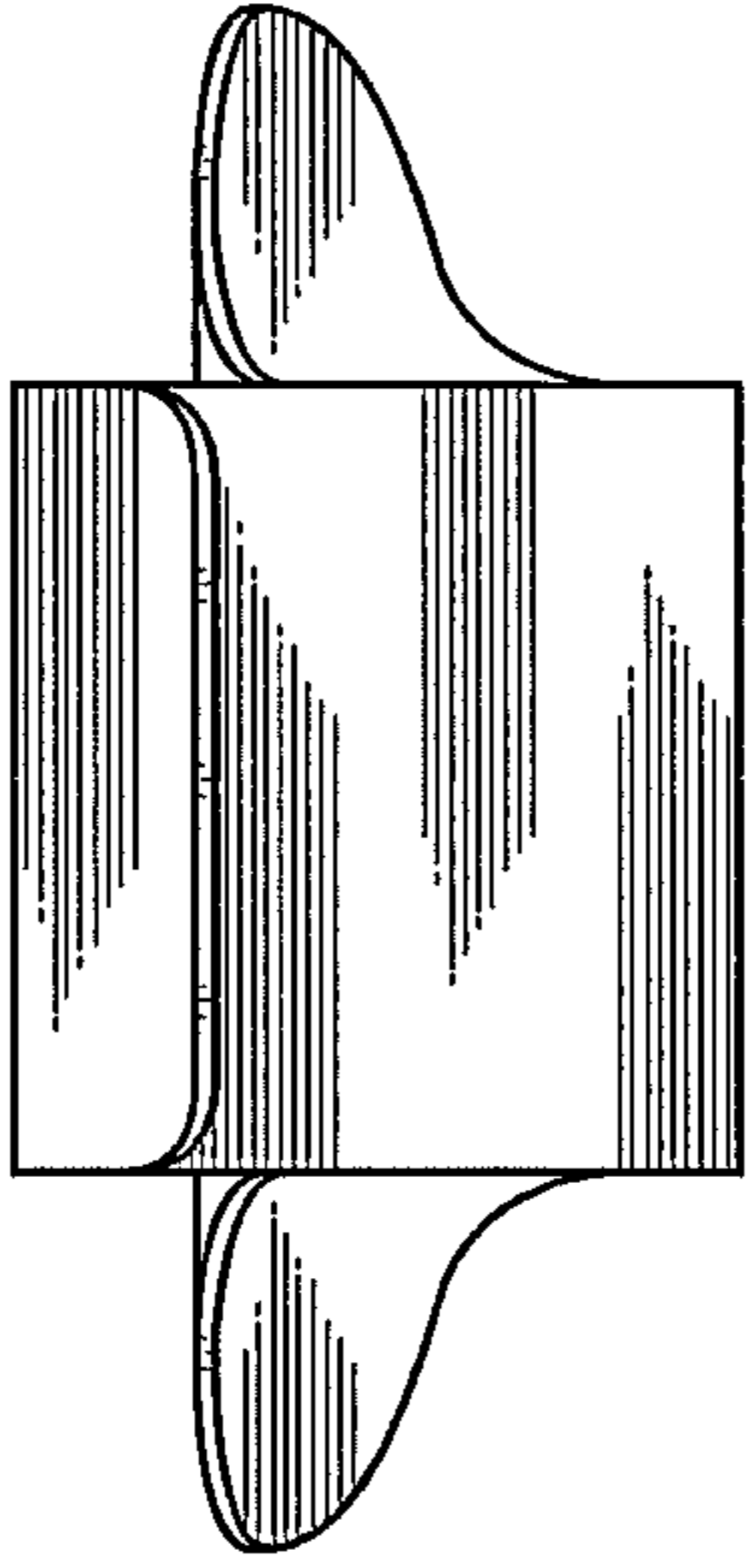


FIG. 7



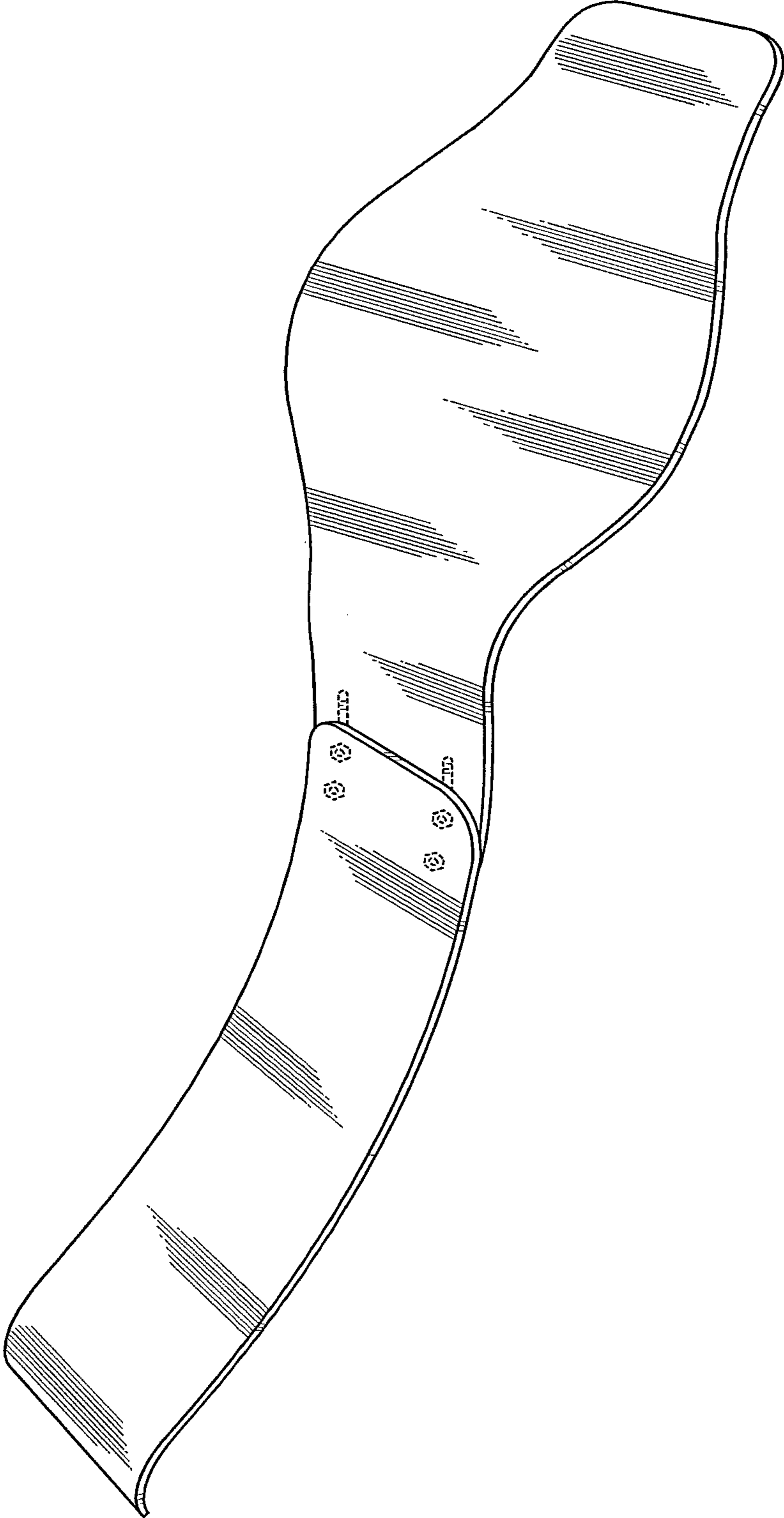


FIG. 8

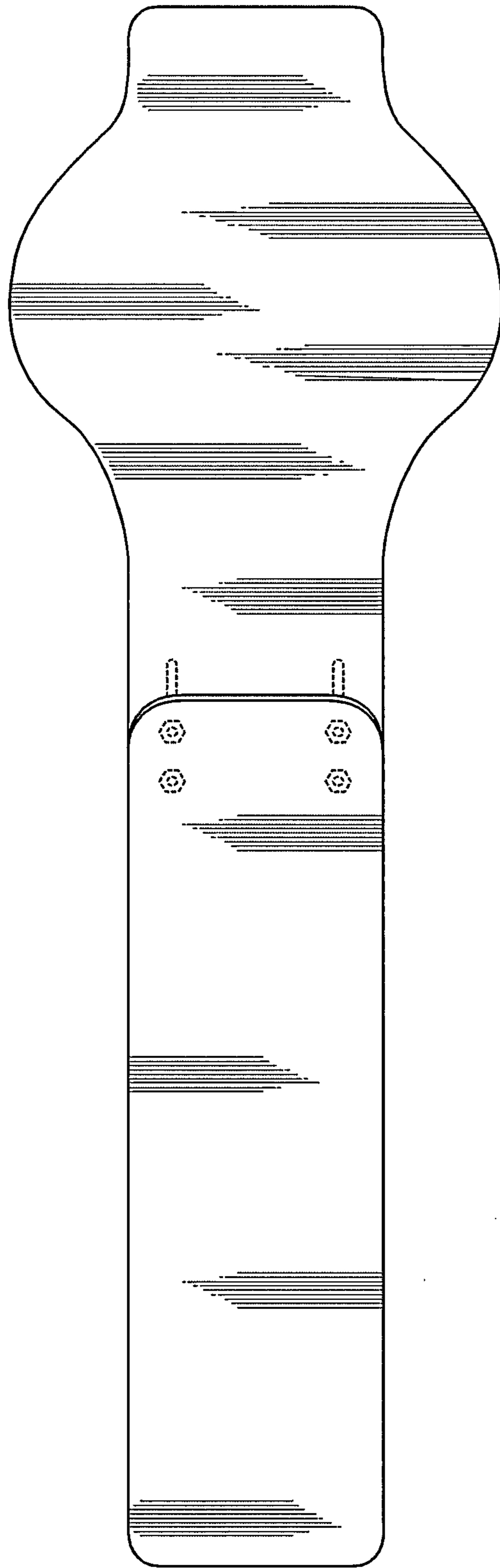


FIG. 9



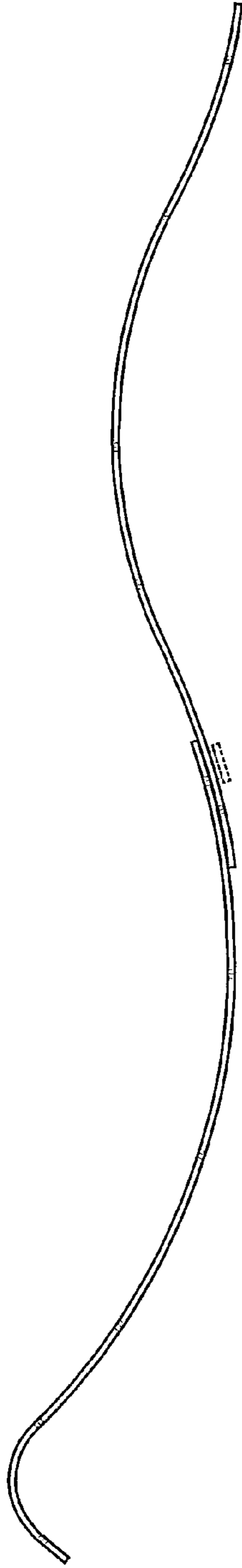


FIG. 10

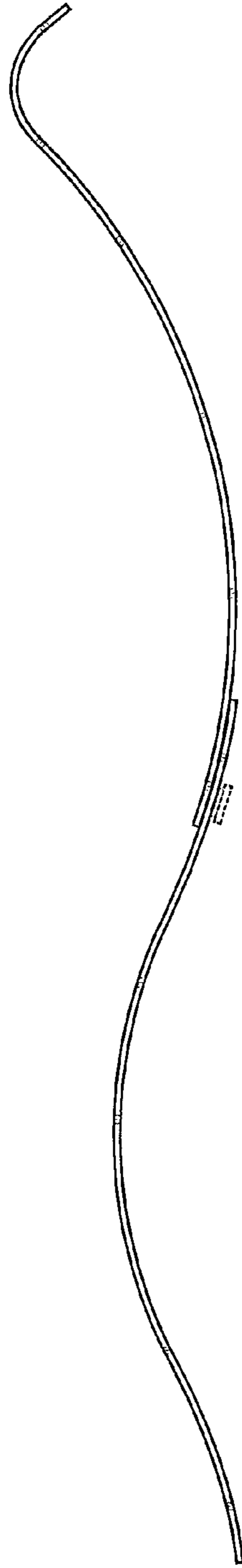


FIG. 11

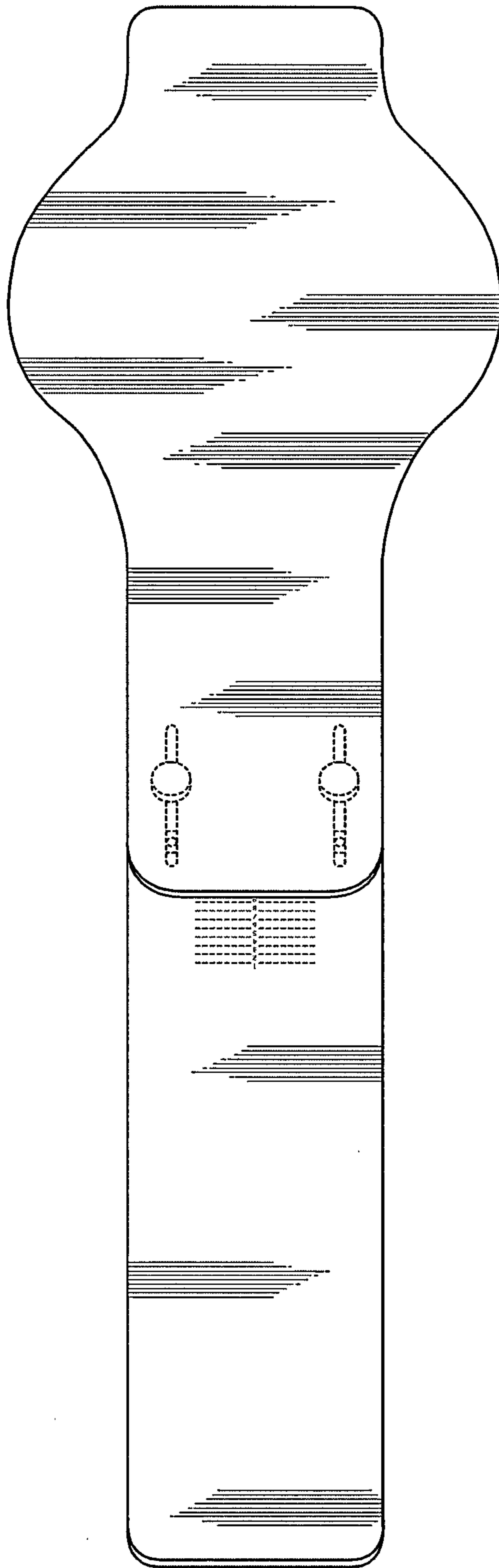


FIG. 12

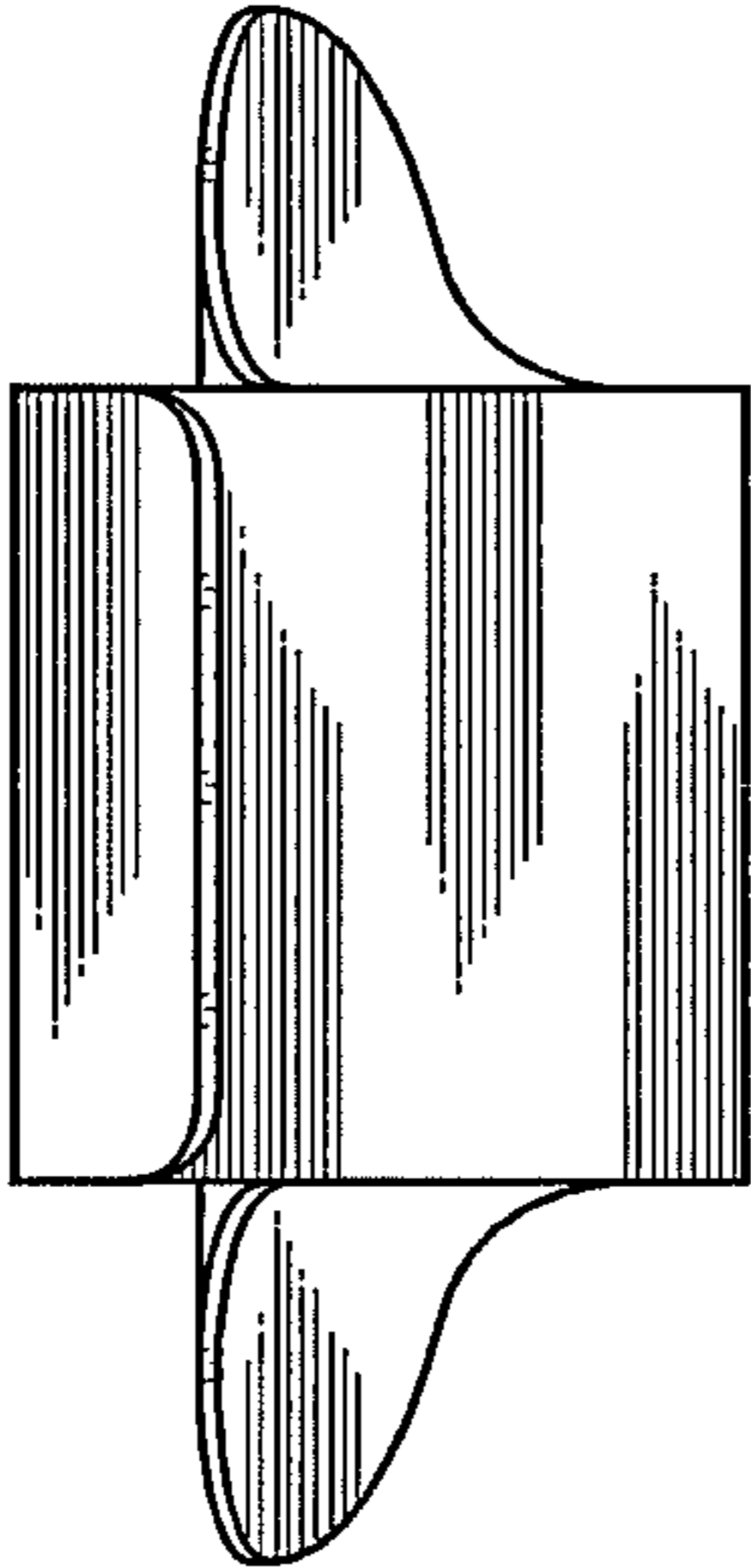


FIG. 14

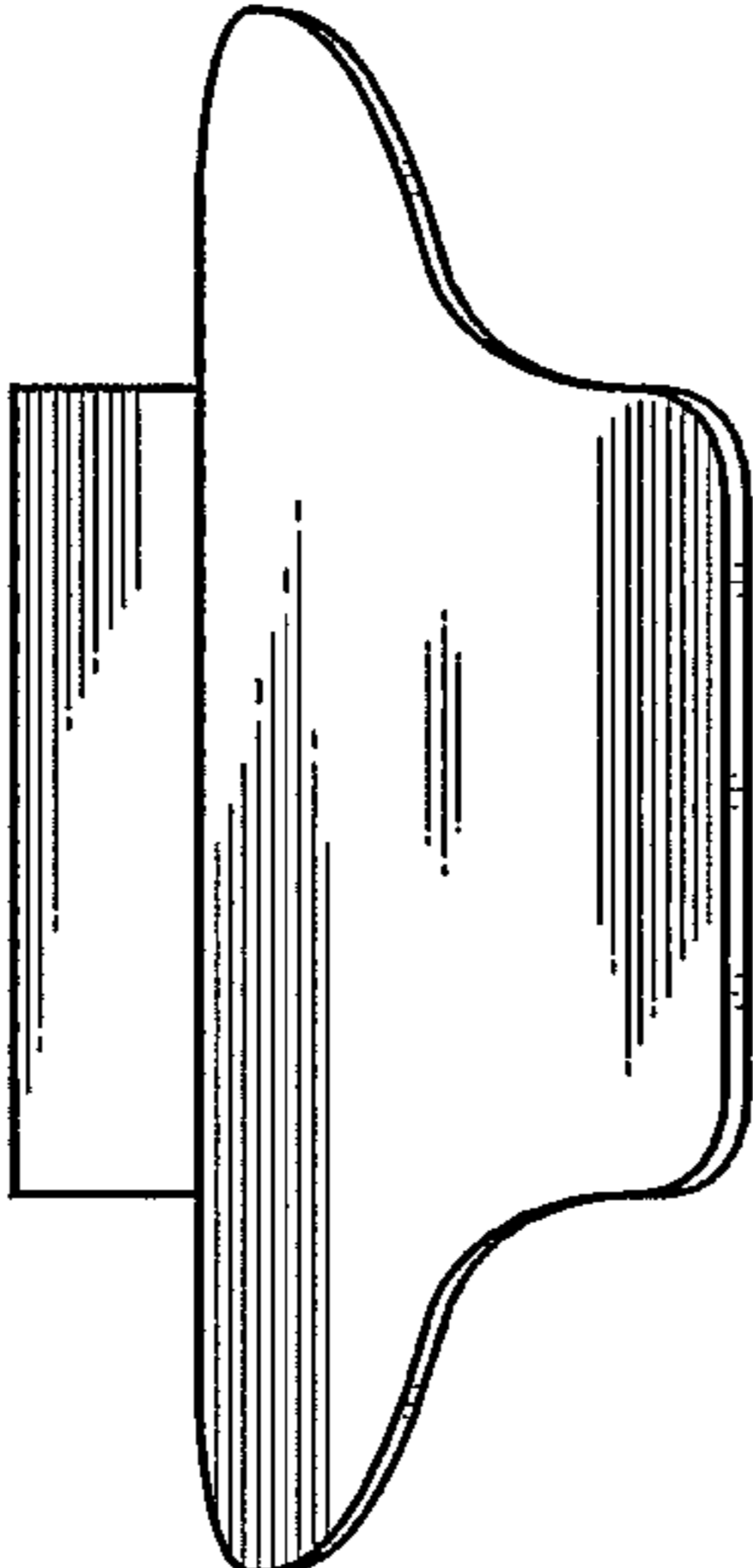


FIG. 13