



US00D696406S

(12) **United States Design Patent**  
**De Santis et al.**

(10) **Patent No.:** **US D696,406 S**

(45) **Date of Patent:** **\*\* Dec. 24, 2013**

(54) **PAIR OF INTERDIGITAL PAD AND SPLINT STRAPS FOR THE FIRST AND SECOND TOES**

(75) Inventors: **Jeffrey De Santis**, Newport Beach, CA (US); **Scot A. Wiesemann**, Newport Beach, CA (US)

(73) Assignee: **JD and SW, LLC (NV LLC)**, Las Vegas, NV (US)

(\*\*) Term: **14 Years**

(21) Appl. No.: **29/432,474**

(22) Filed: **Sep. 14, 2012**

(51) **LOC (9) Cl.** ..... **24-00**

(52) **U.S. Cl.**  
USPC ..... **D24/171**

(58) **Field of Classification Search**  
USPC ..... D24/220, 221, 216, 224, 231, 232, 197, D24/110, 133; D23/209, 365; D7/679, 682, D7/372-374, 383, 384, 597, 400, 191, 545, D7/509, 316, 565, 667, 317, 587; 241/168, 241/169, 169.1-169.2, 199.11, 273.2, 286, 241/262, 136, 30; D15/5; 604/708; 134/158; 366/15, 110, 209, 211, 212, 366/214, 218, 337; 606/90; D8/52; D28/55, D28/60

See application file for complete search history.

(56) **References Cited**

**U.S. PATENT DOCUMENTS**

1,823,972 A \* 9/1931 Ettinger ..... 602/6  
D494,276 S \* 8/2004 Joseph ..... D24/192

D608,532 S \* 1/2010 Novins et al. .... D2/909  
7,847,143 B2 \* 12/2010 Moramarco et al. .... 602/41  
7,922,681 B2 \* 4/2011 Berger et al. .... 602/30  
D683,861 S \* 6/2013 Rust Huthmaker ..... D24/192  
2007/0299382 A1 \* 12/2007 Millet ..... 602/30  
2013/0079694 A1 \* 3/2013 Aquino ..... 602/30

**OTHER PUBLICATIONS**

<http://www.amazon.com/Silipos-Pure-Gel-Hammer-Crest/dp/B000RDFNIY%3FSubscripti...>\*

\* cited by examiner

*Primary Examiner* — Robert M Spear

*Assistant Examiner* — Rhea Shields

(74) *Attorney, Agent, or Firm* — Curtis L. Harrington; Harrington & Harrington

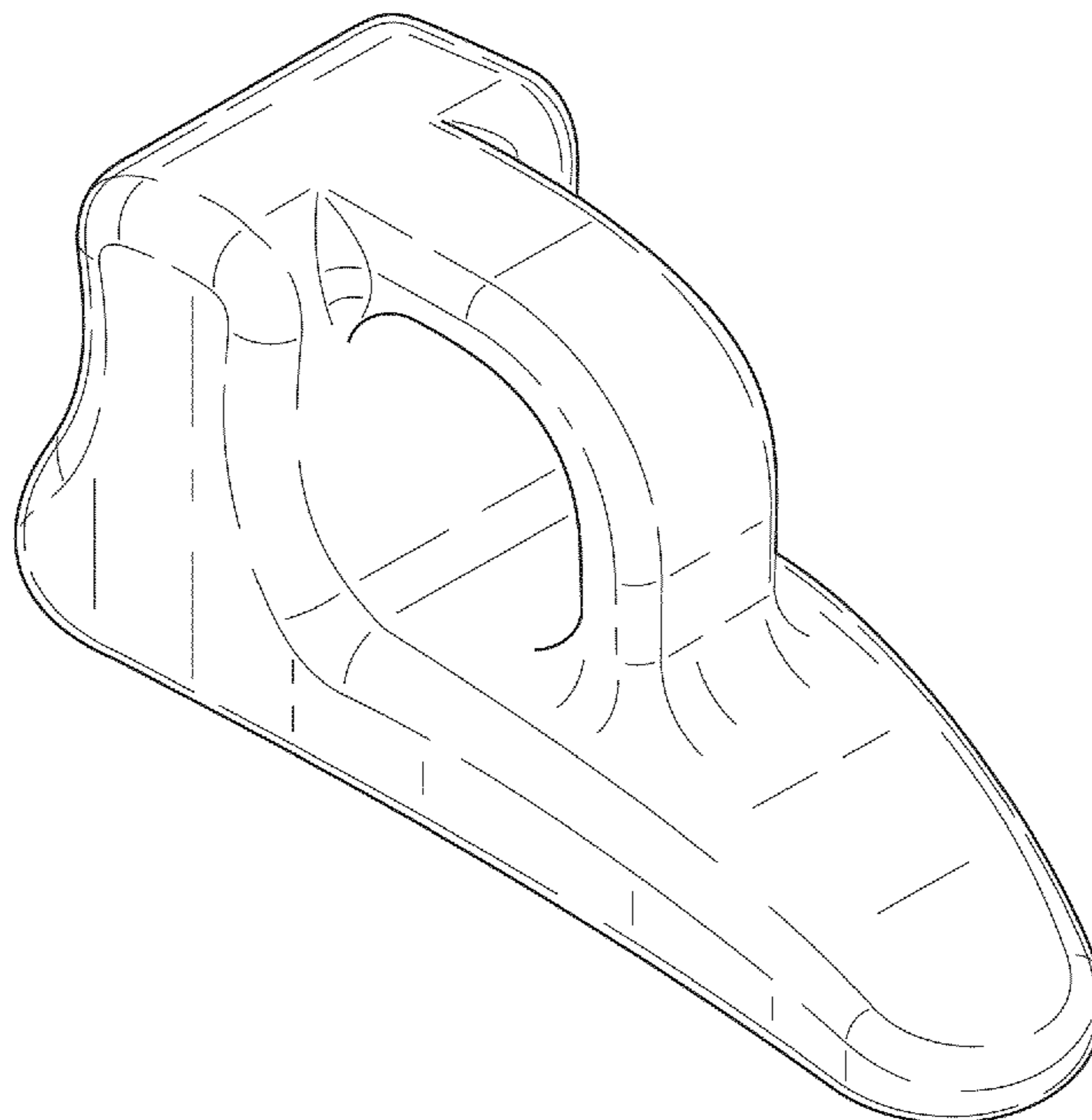
(57) **CLAIM**

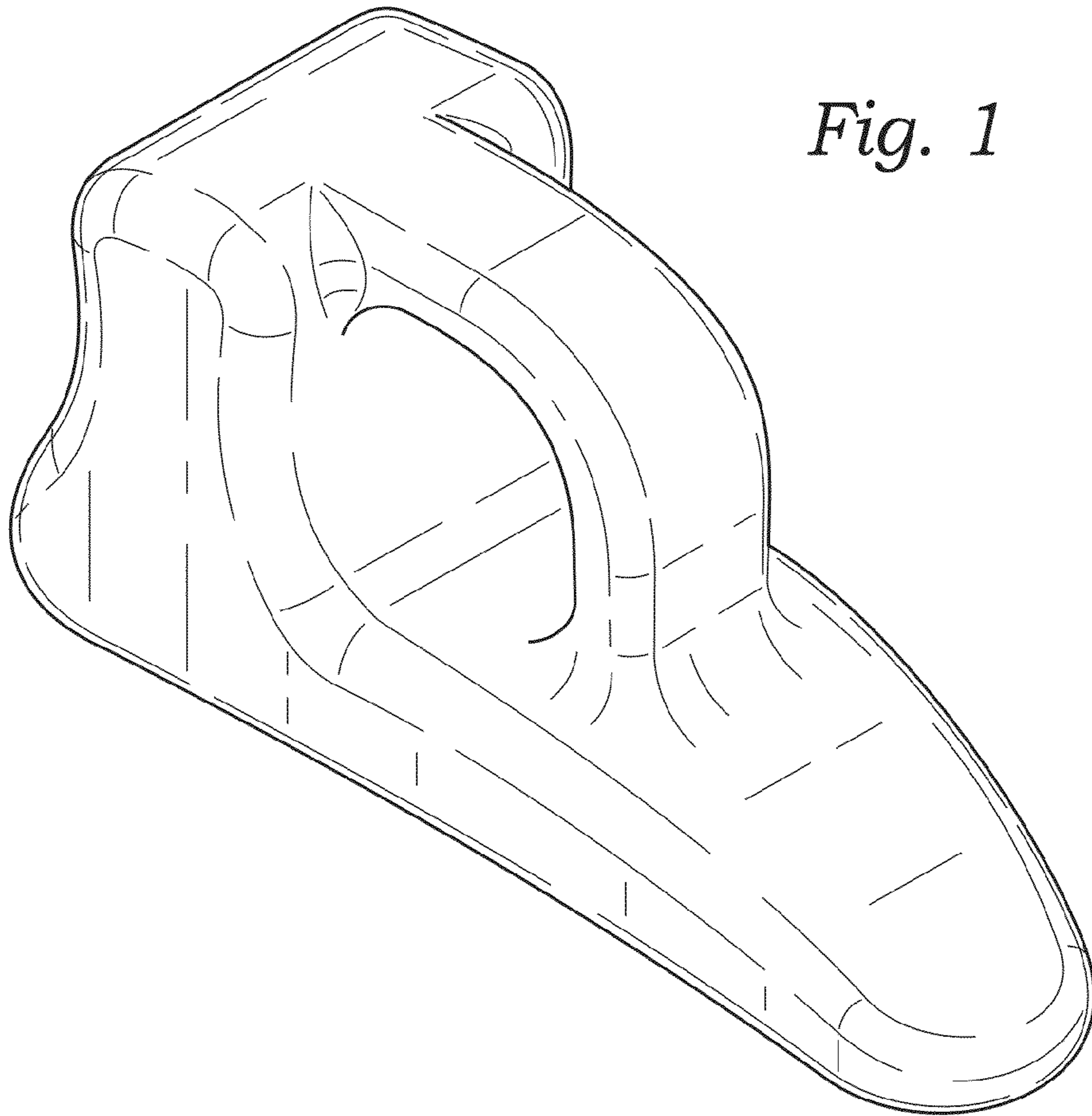
The ornamental design for a pair of interdigital pad and splint straps for the first and second toes, as shown and described.

**DESCRIPTION**

FIG. 1 is a perspective view from the right rear of one of a pair of interdigital pad and splint straps for the first and second toes, showing our new design for the right foot, a second one of a pair of interdigital pad and splint straps for the first and second toes for the left foot being a mirror image thereof; FIG. 2 is a right side view thereof; FIG. 3 is a left view thereof; FIG. 4 is a front view thereof; FIG. 5 is a rear view thereof; FIG. 6 is a top view thereof; and, FIG. 7 is a bottom view thereof.

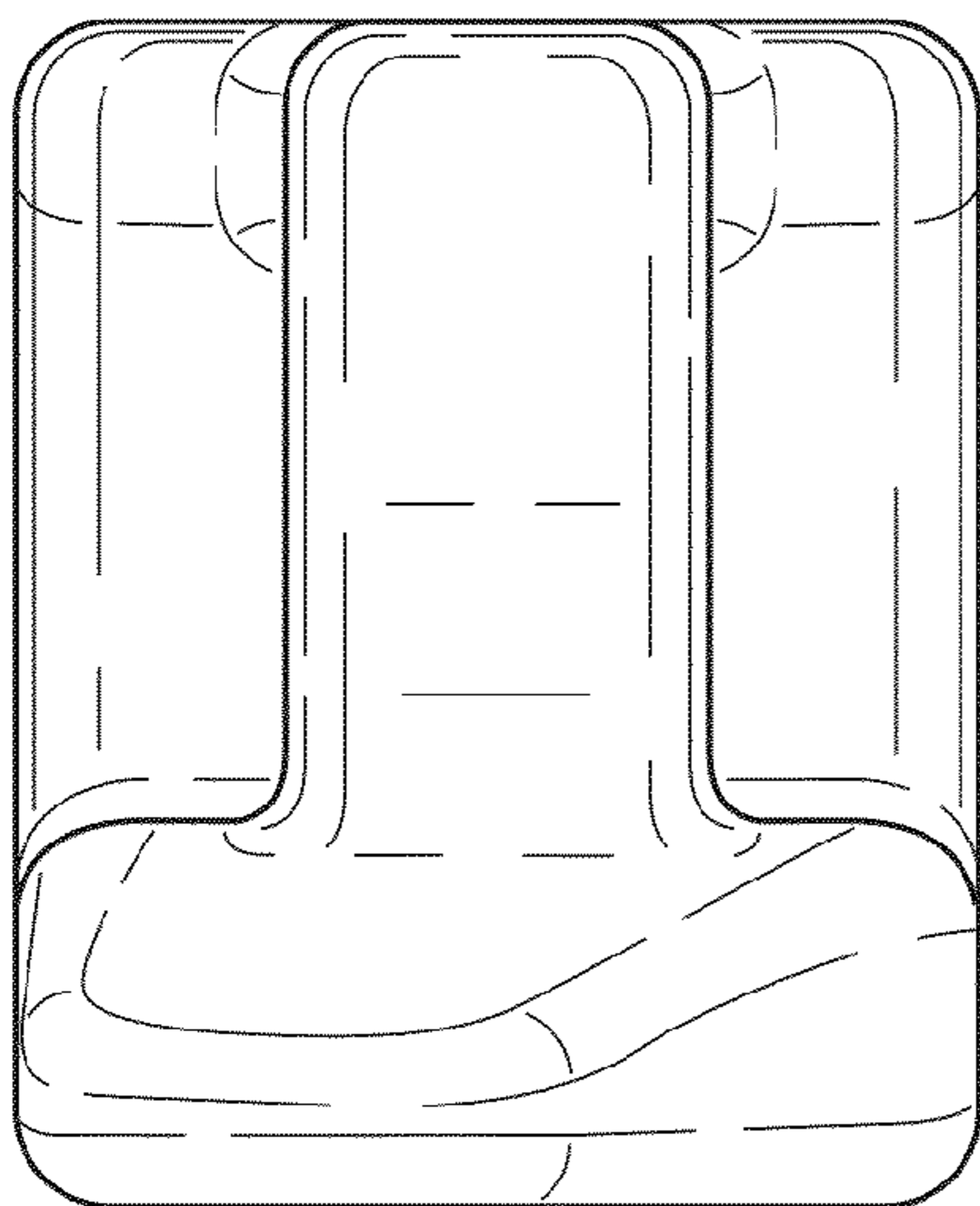
**1 Claim, 3 Drawing Sheets**



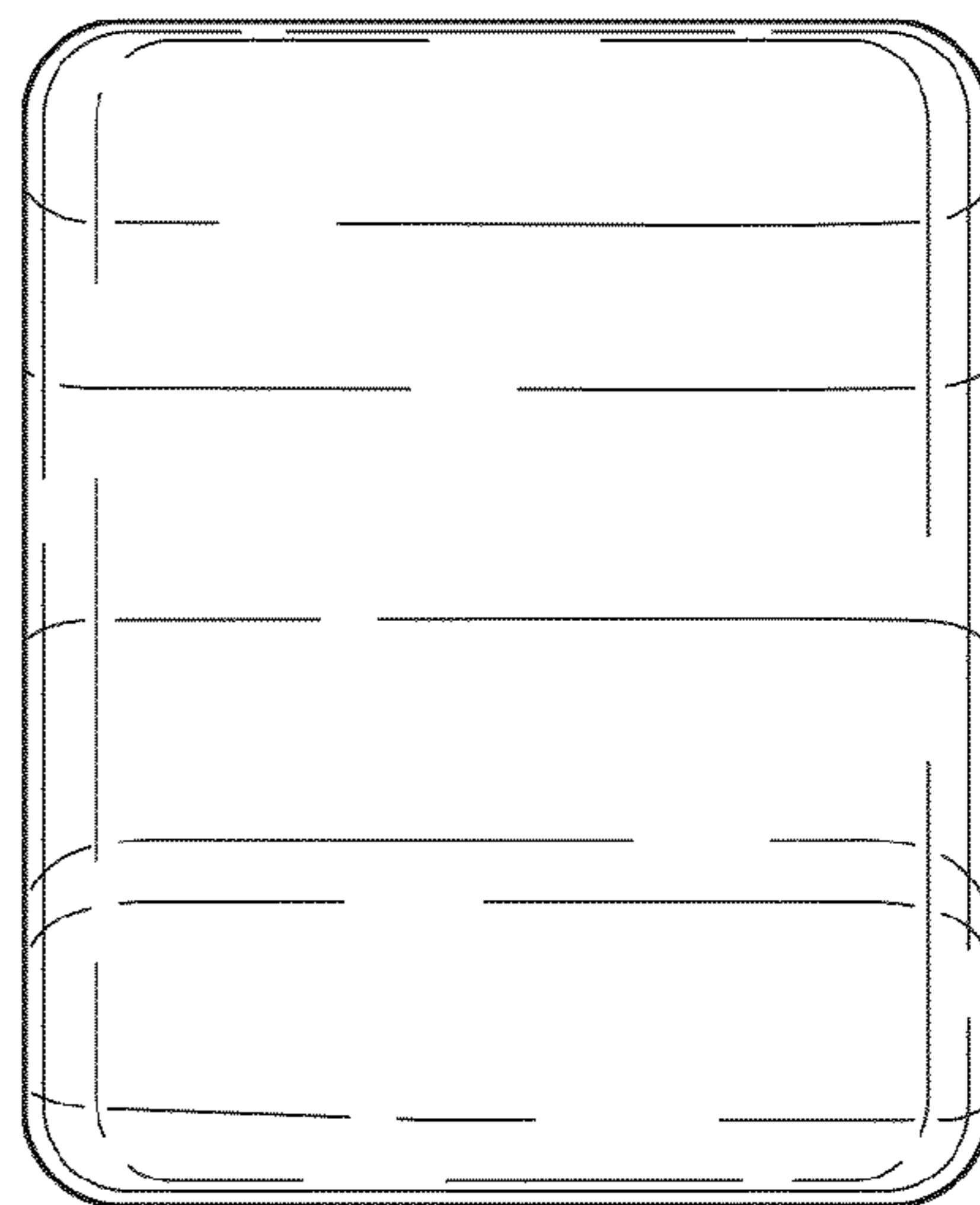


*Fig. 1*

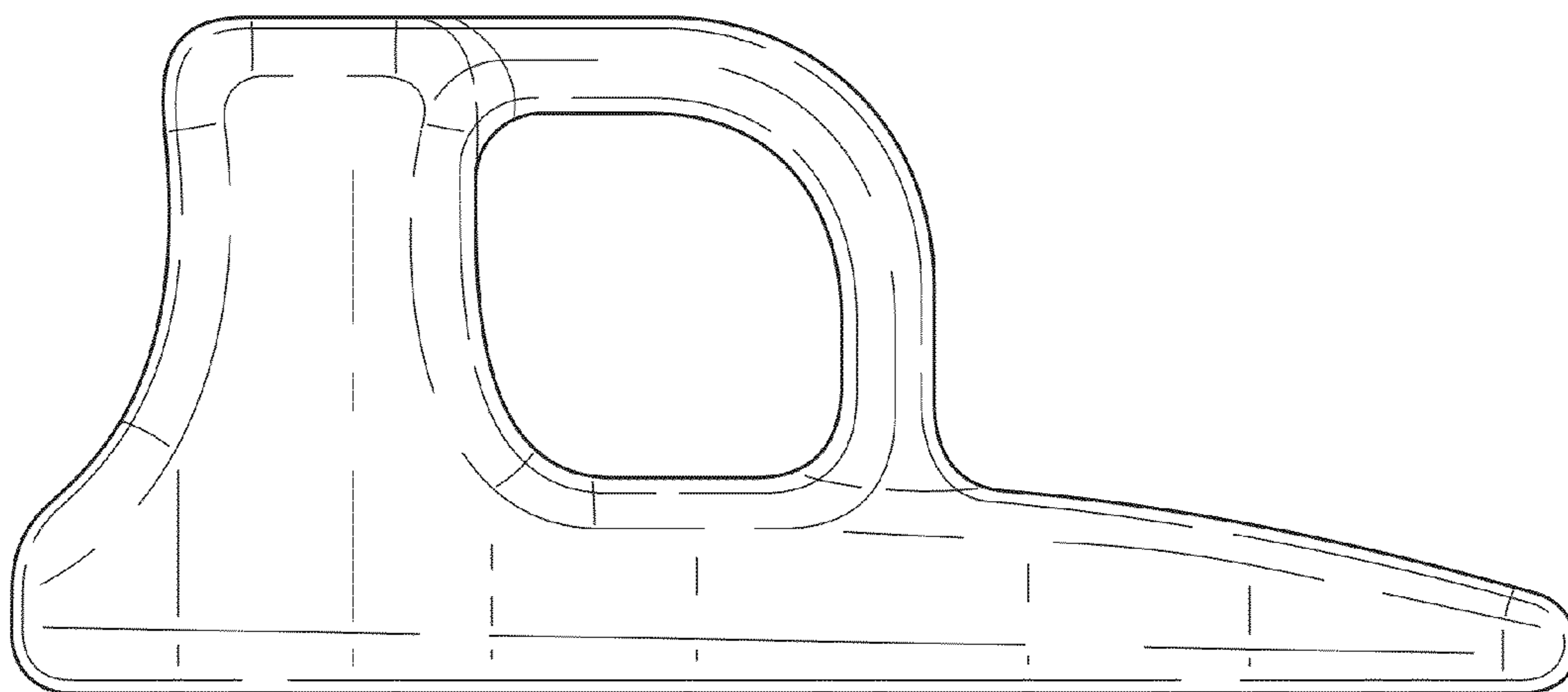
*Fig. 2*



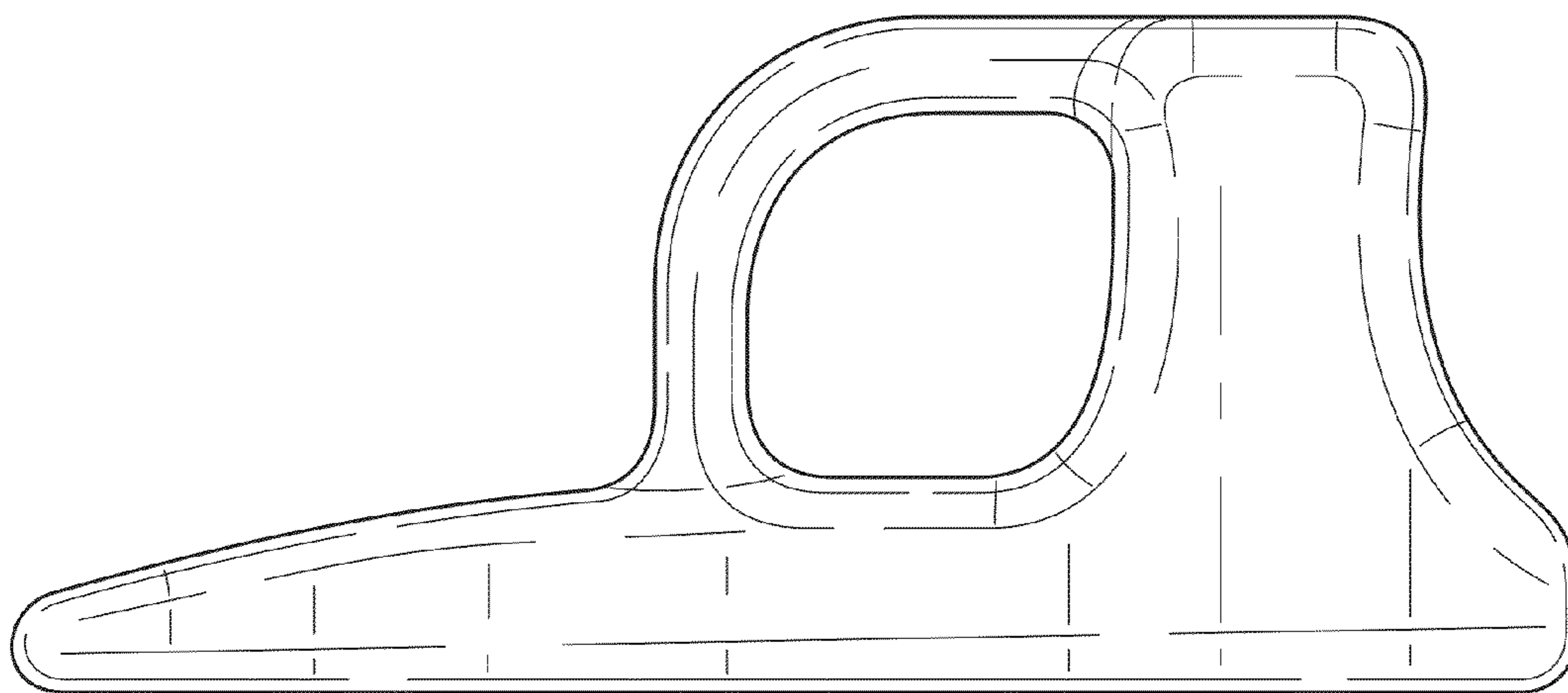
*Fig. 3*



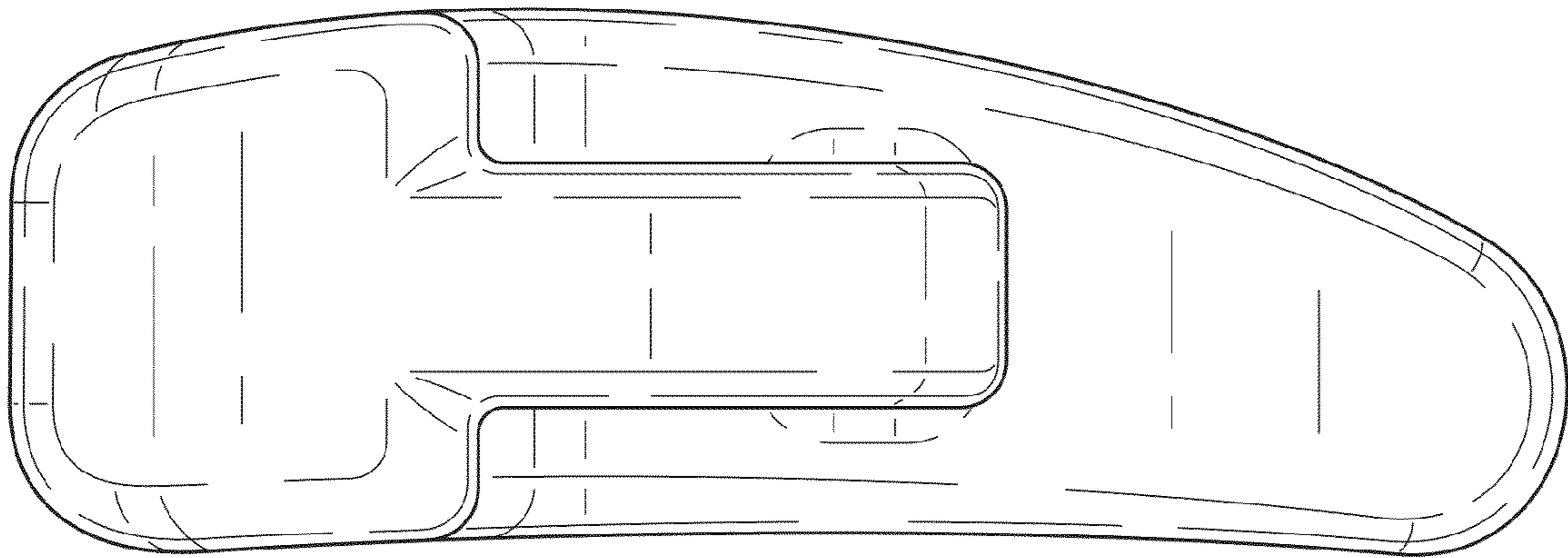
*Fig. 4*



*Fig. 5*



*Fig. 6*



*Fig. 7*

