

US00D696403S

(12) **United States Design Patent**
Noguchi et al.

(10) **Patent No.:** **US D696,403 S**

(45) **Date of Patent:** **** Dec. 24, 2013**

(54) **SPHYGMOMANOMETER**

(71) Applicants: **So Noguchi**, Hirakata (JP); **Shuji Tsuruta**, Ibaraki (JP); **Yoshikazu Inami**, Akashi (JP); **Daisuki Nozaki**, Kyoto (JP); **Takeyasu Hashimoto**, Kusatsu (JP); **Shinjiro Komizo**, Kyoto (JP); **Masahiko Yumoto**, Kyoto (JP); **Tsutomu Yamasawa**, Takatsuki (JP); **Toshiaki Yuasa**, Moriyama (JP)

(72) Inventors: **So Noguchi**, Hirakata (JP); **Shuji Tsuruta**, Ibaraki (JP); **Yoshikazu Inami**, Akashi (JP); **Daisuki Nozaki**, Kyoto (JP); **Takeyasu Hashimoto**, Kusatsu (JP); **Shinjiro Komizo**, Kyoto (JP); **Masahiko Yumoto**, Kyoto (JP); **Tsutomu Yamasawa**, Takatsuki (JP); **Toshiaki Yuasa**, Moriyama (JP)

(73) Assignee: **Omron Healthcare Co., Ltd.**, Kyoto (JP)

(**) Term: **14 Years**

(21) Appl. No.: **29/447,385**

(22) Filed: **Mar. 2, 2013**

Related U.S. Application Data

(62) Division of application No. 29/397,998, filed on Jul. 25, 2011, now Pat. No. Des. 683,027.

(30) **Foreign Application Priority Data**

Jan. 26, 2011	(JP)	2011-001568
Jan. 26, 2011	(JP)	2011-001569
Jan. 26, 2011	(JP)	2011-001570
Mar. 15, 2011	(JP)	2011-005938
Mar. 22, 2011	(JP)	2011-006419
Mar. 22, 2011	(JP)	2011-006420
Mar. 22, 2011	(JP)	2011-006421
Mar. 22, 2011	(JP)	2011-006422

(51) **LOC (9) Cl.** **24-02**

(52) **U.S. Cl.**
USPC **D24/165**

(58) **Field of Classification Search**

USPC D24/164-168, 186, 107; D10/46, 75, D10/98; 600/301, 481-483, 485, 490, 600/493-495, 500, 503, 509; 128/900
See application file for complete search history.

(56) **References Cited**

U.S. PATENT DOCUMENTS

D437,414	S	*	2/2001	Kern et al.	D24/165
D439,669	S	*	3/2001	Grunstad et al.	D24/169
D473,308	S	*	4/2003	Nakanishi	D24/165
D475,137	S		5/2003	Manke et al.		
D537,944	S		3/2007	Eda et al.		

(Continued)

FOREIGN PATENT DOCUMENTS

CN	3547736	S	7/2006
CN	3652658	S	5/2007

(Continued)

Primary Examiner — Anhdao Doan

(74) *Attorney, Agent, or Firm* — Capitol City TechLaw

(57) **CLAIM**

The ornamental design for a sphygmomanometer, as shown and described.

DESCRIPTION

FIG. 1 is a front, top, and right side perspective view of a sphygmomanometer showing our new design;

FIG. 2 is a front view thereof;

FIG. 3 is a rear view thereof;

FIG. 4 is a top view thereof;

FIG. 5 is a bottom view thereof;

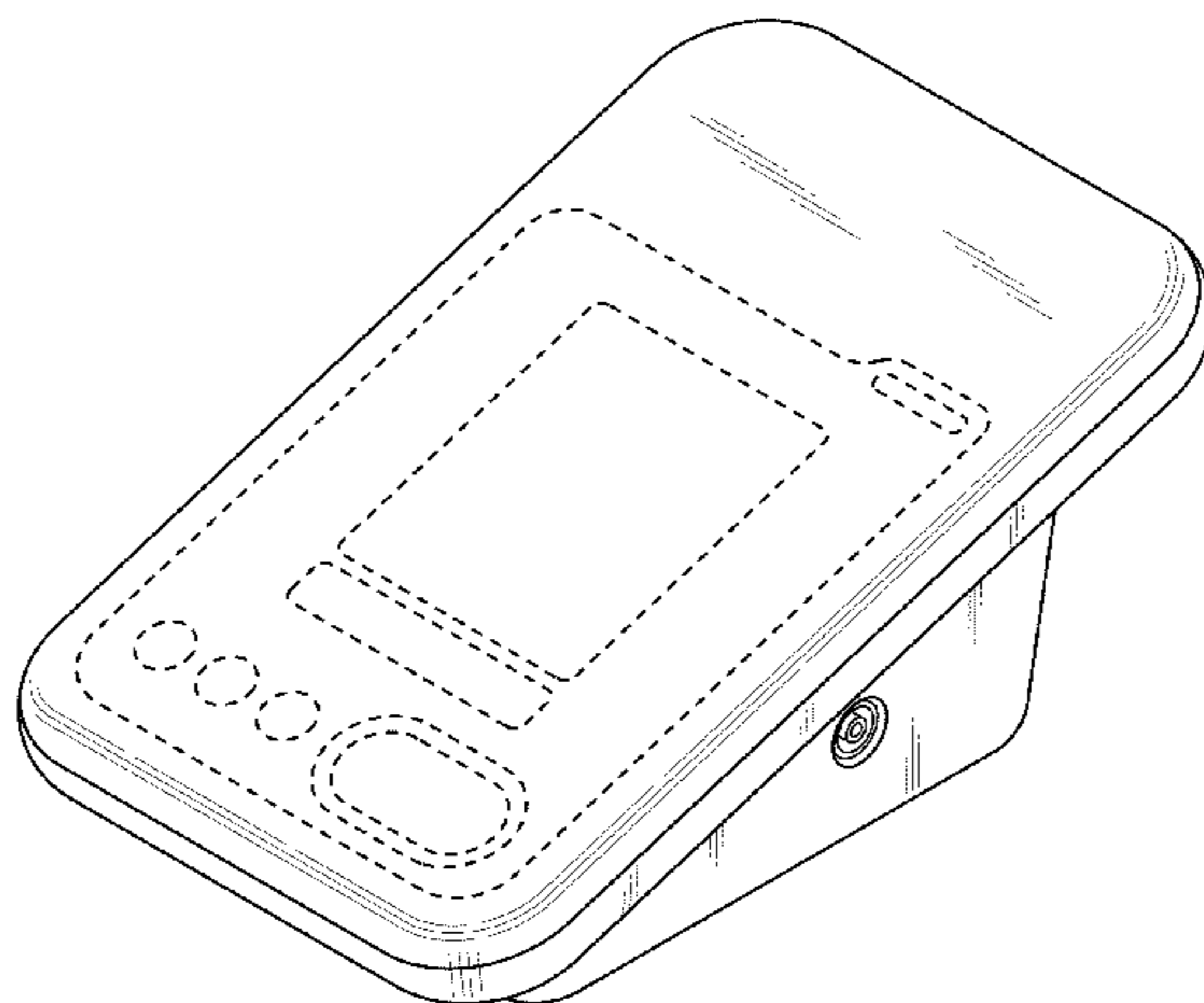
FIG. 6 is a right side view thereof;

FIG. 7 is a left side view thereof; and,

FIG. 8 is an enlarged, partial sectional view taken along the reference line 8A-8A of FIG. 2 and cut along the reference line 8B-8B of FIG. 6.

The broken lines shown in the figures are included for the purpose of illustrating portions of the sphygmomanometer that form no part of the claimed design.

1 Claim, 8 Drawing Sheets



(56)

References Cited

U.S. PATENT DOCUMENTS

D541,941 S	5/2007	Nakanishi et al.	
D569,978 S	5/2008	Eda et al.	
D577,440 S	9/2008	Ferber et al.	
D583,474 S	12/2008	Mitsunami et al.	
D583,948 S *	12/2008	Hachimaru et al.	D24/165
D600,814 S *	9/2009	Lathrop et al.	D24/186
D609,343 S	2/2010	Omaki	
D609,344 S *	2/2010	Hara	D24/165
D641,881 S	7/2011	Inami et al.	
D651,319 S	12/2011	Hara	
D651,716 S *	1/2012	Shibata et al.	D24/165
D670,394 S *	11/2012	Collins	D24/186

EM	000743638-0006	A1	7/2007
EM	000894191-0002	A1	4/2008
JP	D1239550	S	5/2005
JP	D1267443	S	4/2006
JP	D1387527	S	5/2010
JP	D1387528	S	5/2010
JP	D1387631	S	5/2010
JP	D1396052	S	8/2010
JP	D1403528	S	12/2010
JP	D1403529	S	12/2010
JP	D1403530	S	12/2010
JP	D1403531	S	12/2010
JP	D1415684	S	6/2011
JP	D1416703	S	6/2011

FOREIGN PATENT DOCUMENTS

EM 000404637-0001 A1 11/2005

* cited by examiner

FIG. 1

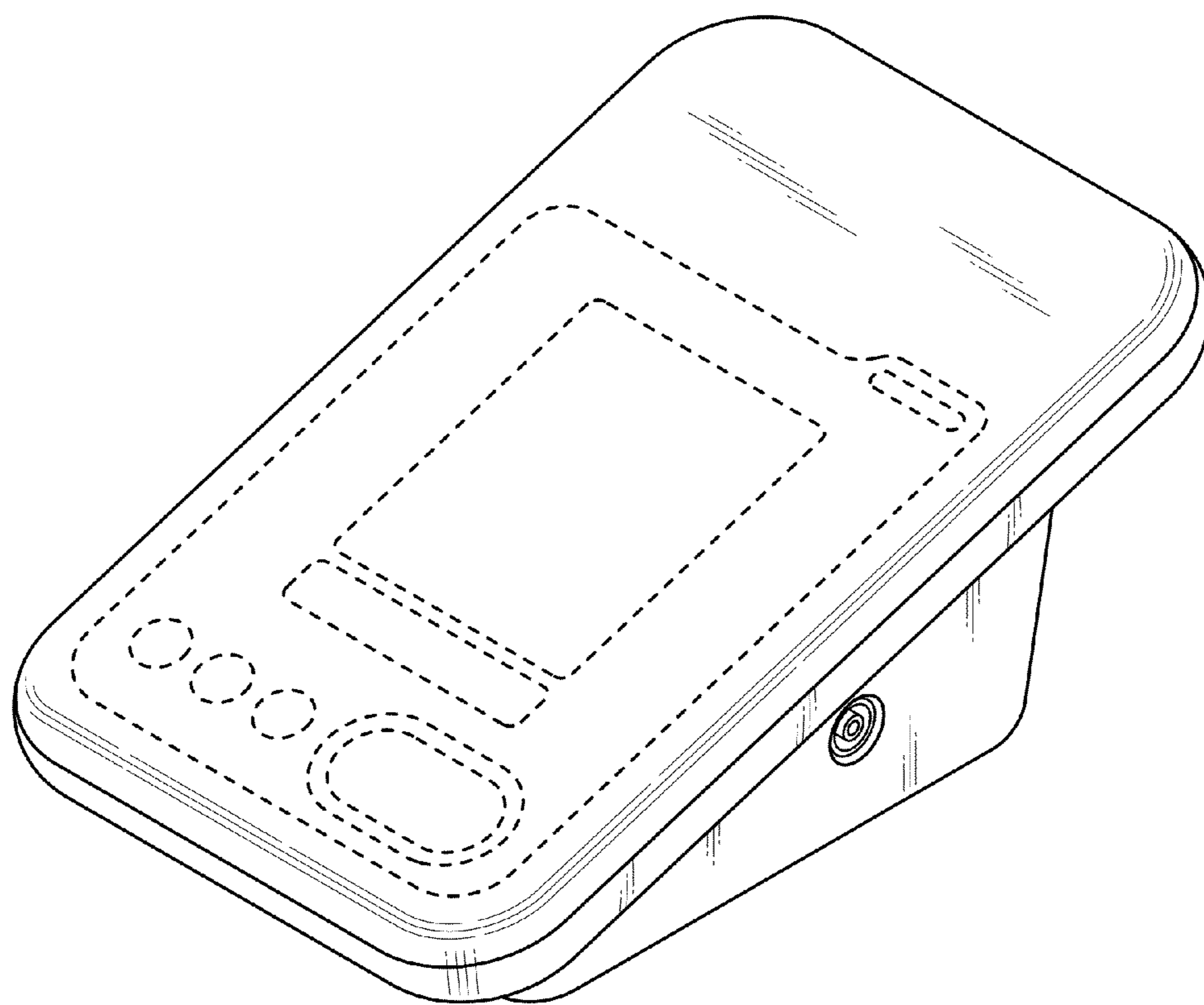


FIG. 2

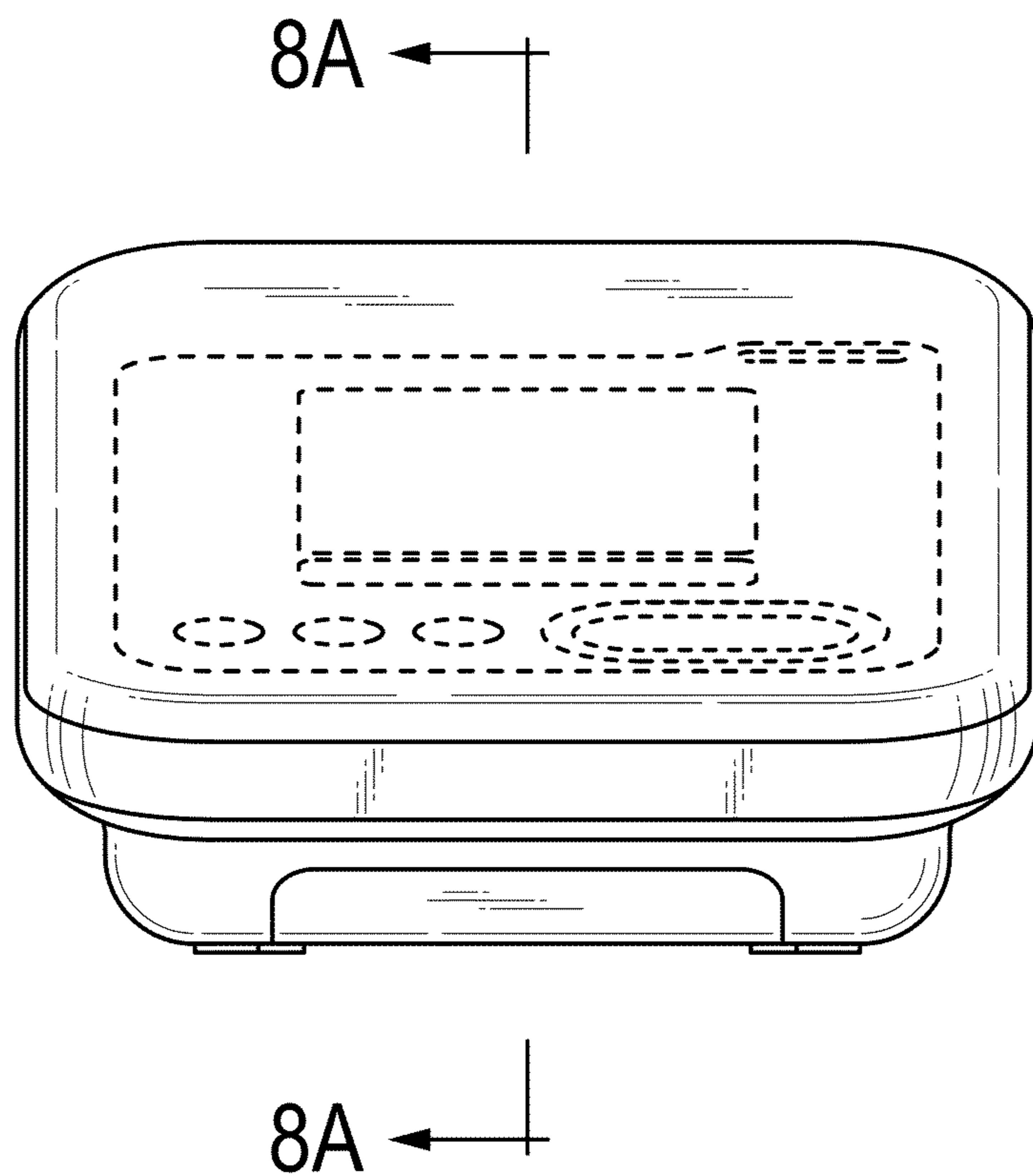


FIG. 3

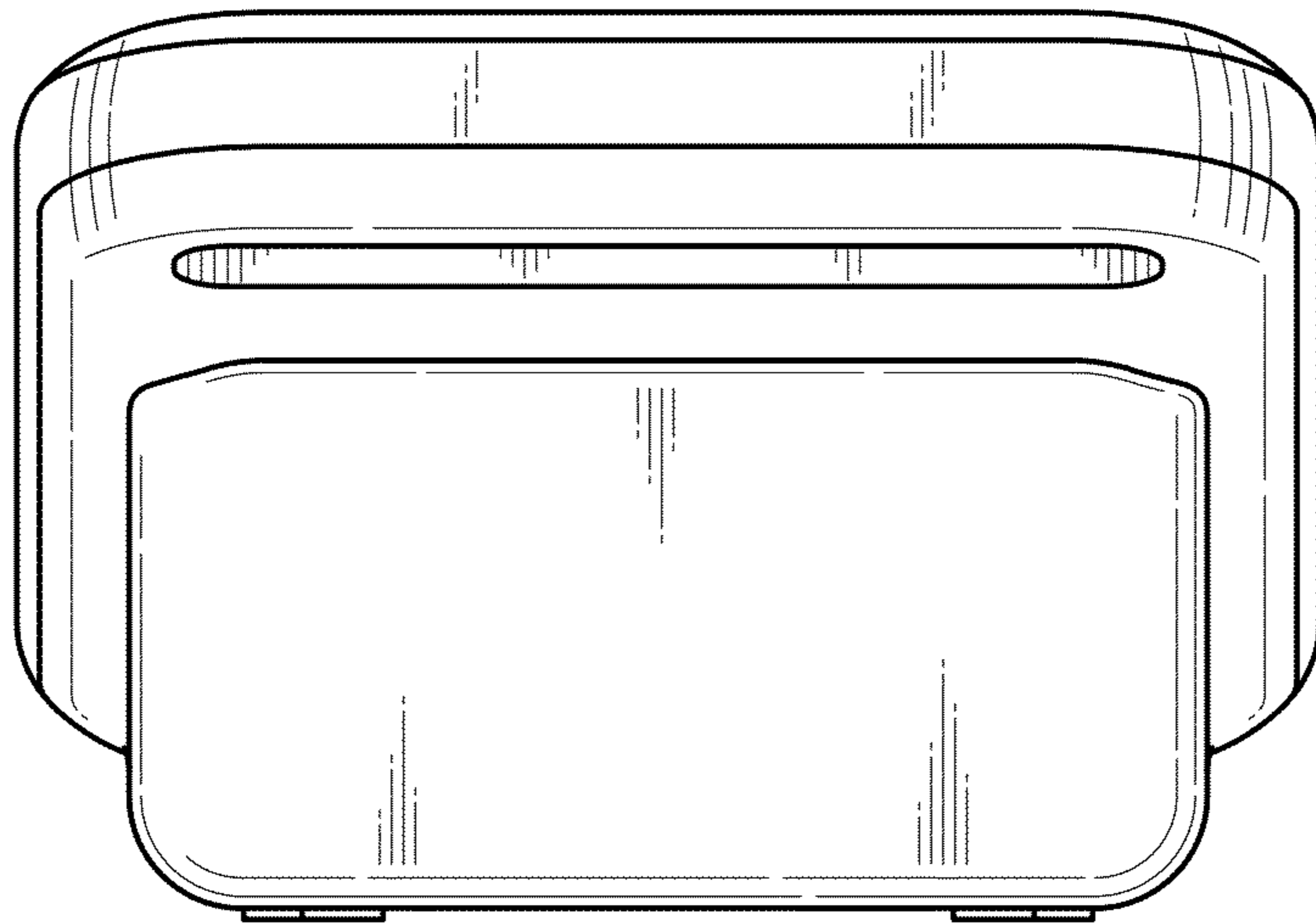


FIG. 4

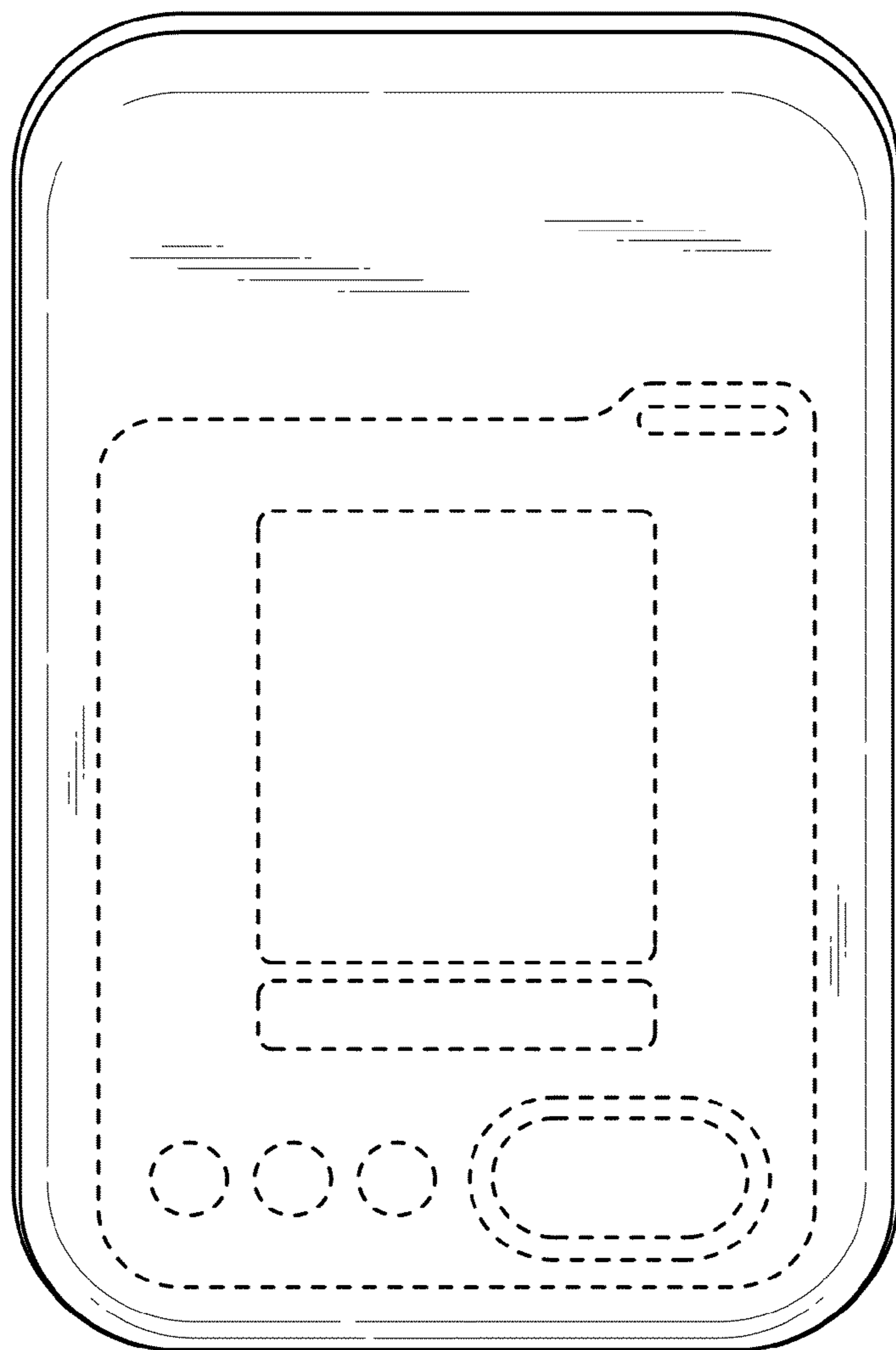


FIG. 5

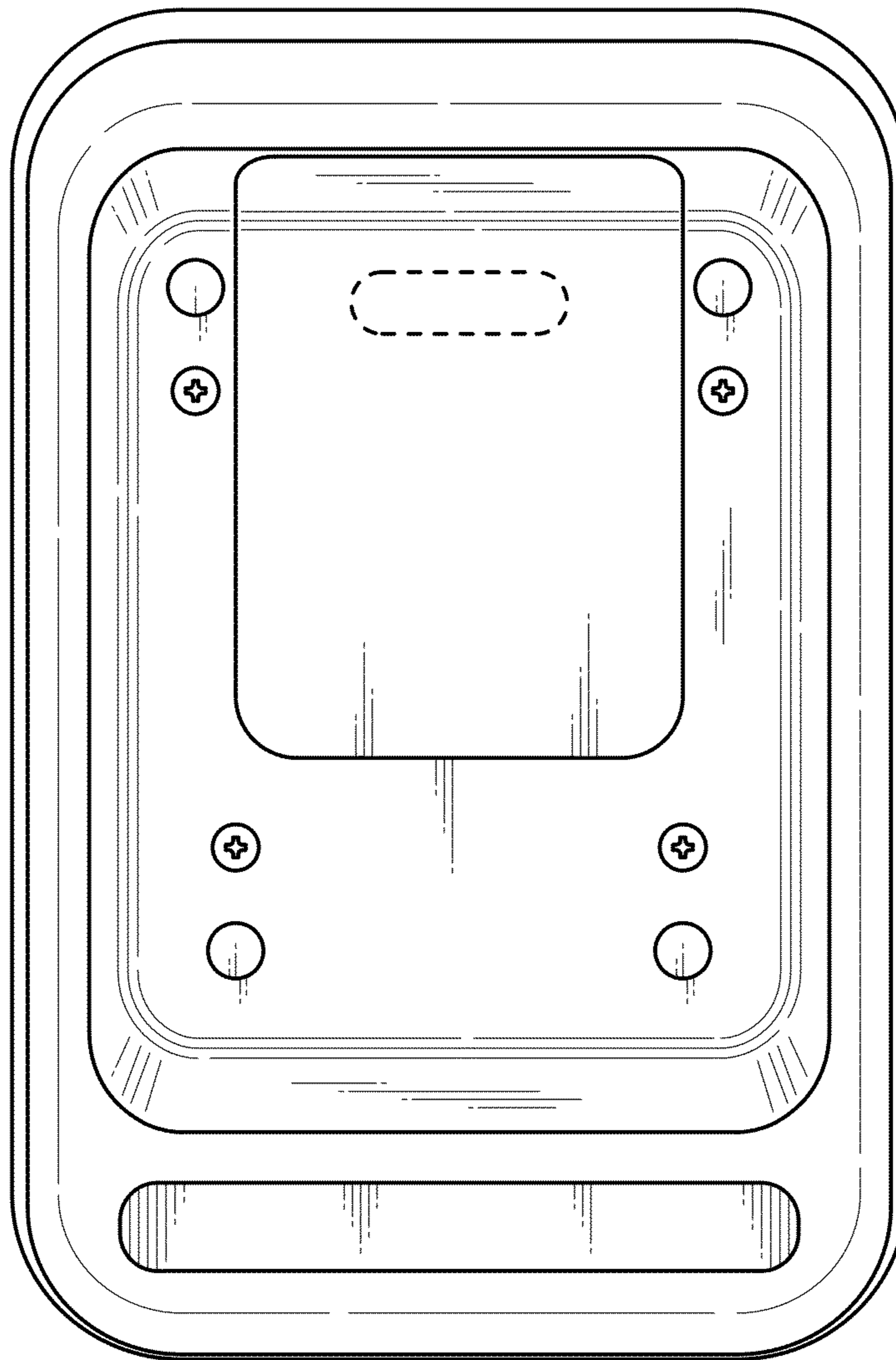


FIG. 6

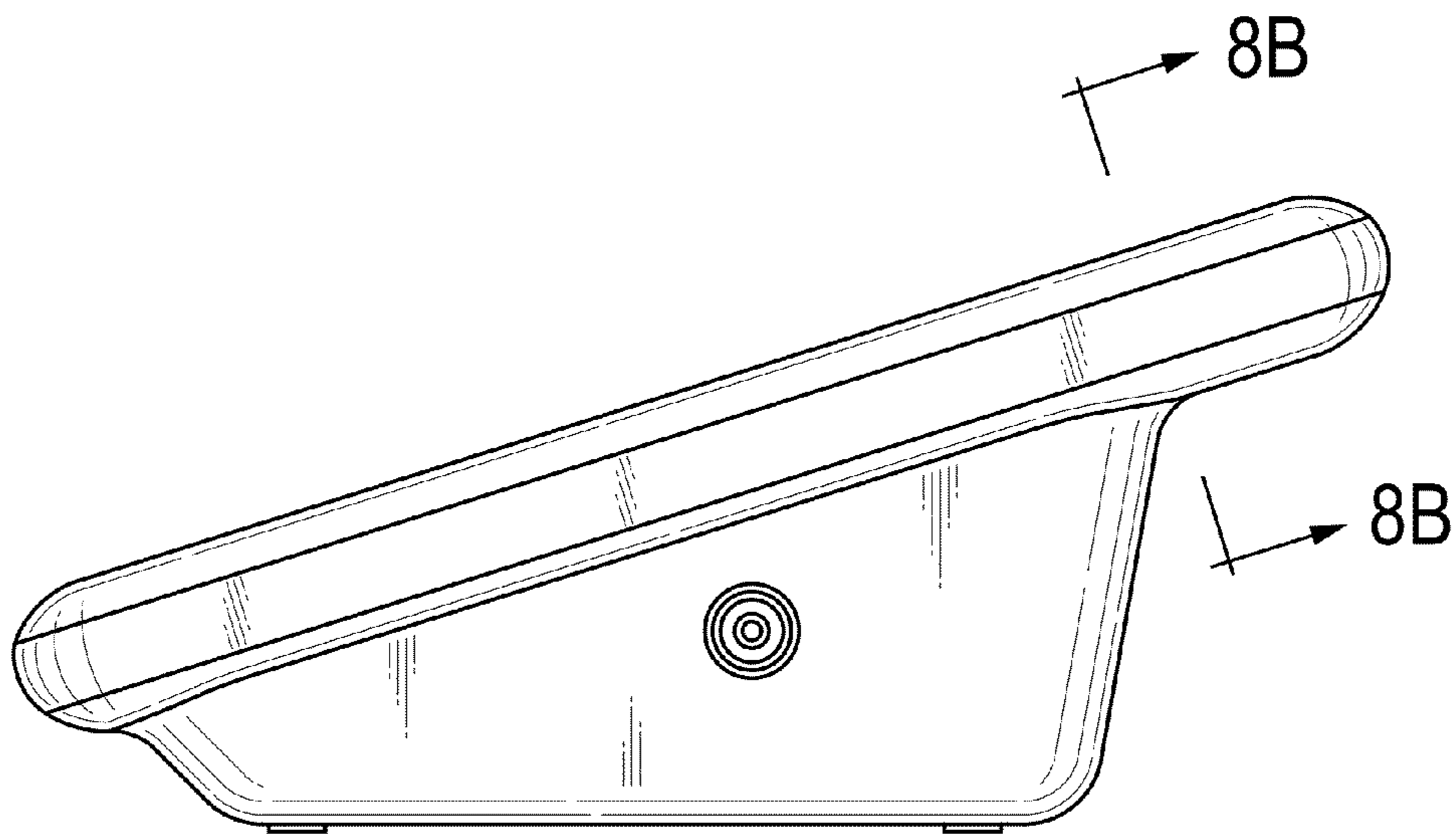


FIG. 7

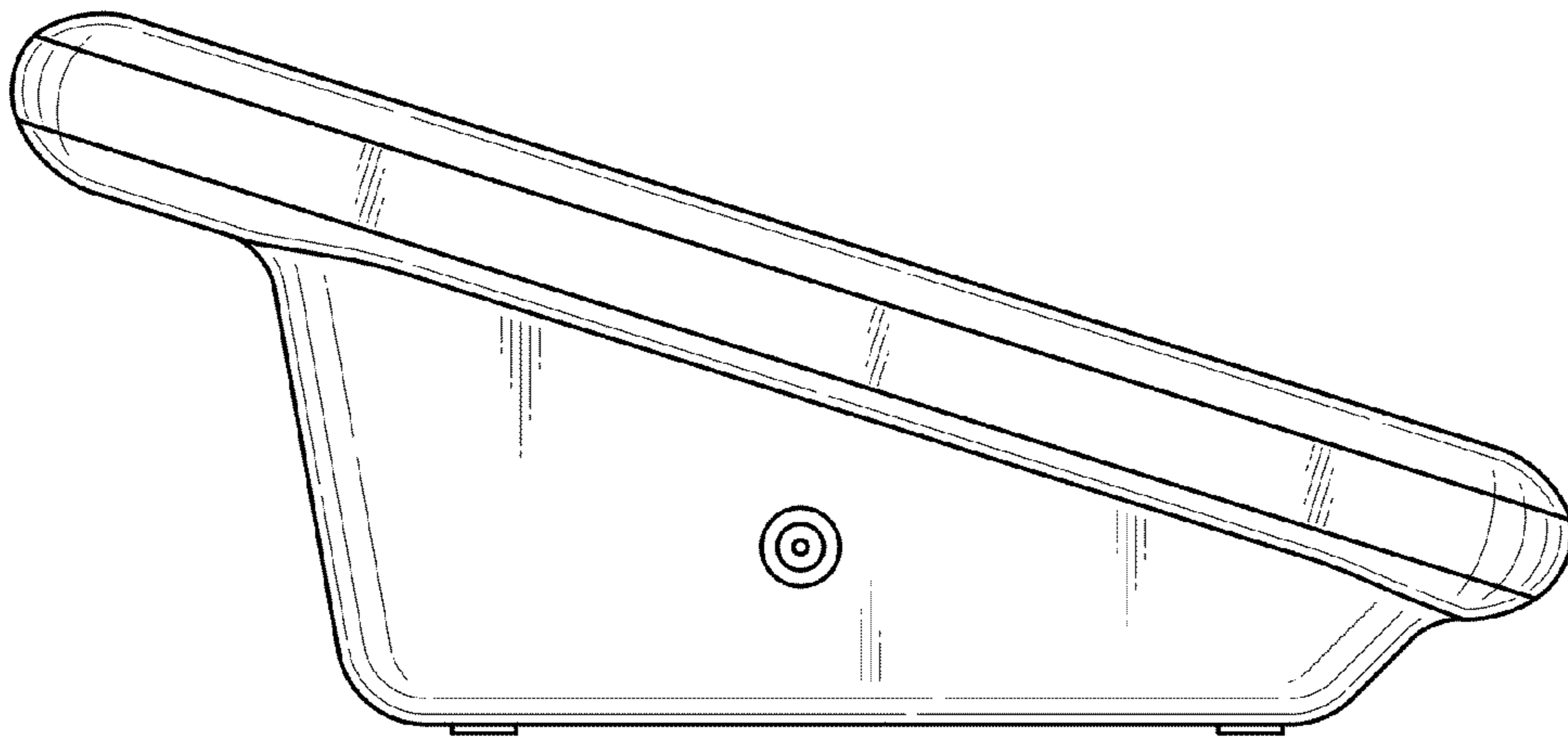


FIG. 8

