



US00D696402S

(12) **United States Design Patent**  
**Oi**

(10) **Patent No.:** **US D696,402 S**

(45) **Date of Patent:** **\*\* Dec. 24, 2013**

- (54) **INTERVERTEBRAL IMPLANT**
- (71) Applicant: **NuVasive, Inc.**, San Diego, CA (US)
- (72) Inventor: **Nelson Oi**, San Diego, CA (US)
- (73) Assignee: **NuVasive, Inc.**, San Diego, CA (US)
- (\*\*) Term: **14 Years**
- (21) Appl. No.: **29/444,346**
- (22) Filed: **Jan. 29, 2013**

- D621,509 S \* 8/2010 Lovell ..... D24/155
- D625,820 S \* 10/2010 Calverley et al. .... D24/155
- D629,104 S \* 12/2010 Calverley et al. .... D24/155
- D671,645 S \* 11/2012 Curran et al. .... D24/155
- D674,092 S \* 1/2013 Lovell ..... D24/155

\* cited by examiner

*Primary Examiner* — Ian Simmons

*Assistant Examiner* — Charles Hanson

(74) *Attorney, Agent, or Firm* — Jonathan Spangler; Jennifer Russell

**Related U.S. Application Data**

- (63) Continuation of application No. 29/405,583, filed on Nov. 3, 2011, now Pat. No. Des. 675,320.
- (51) **LOC (9) Cl.** ..... **24-02**
- (52) **U.S. Cl.**  
USPC ..... **D24/155**
- (58) **Field of Classification Search**  
USPC ..... D24/155, 133; 623/17.11, 17.15, 17.16,  
623/17.12; 606/90, 86 A  
See application file for complete search history.

(57) **CLAIM**

The ornamental design for an intervertebral implant, substantially as shown and described.

**DESCRIPTION**

FIG. 1 is a perspective view of an intervertebral implant showing our new design;  
 FIG. 2 is a first side view thereof;  
 FIG. 3 is a second side view thereof;  
 FIG. 4 is a first end view thereof;  
 FIG. 5 is a second end view thereof;  
 FIG. 6 is a top view thereof; and,  
 FIG. 7 is a bottom view thereof.

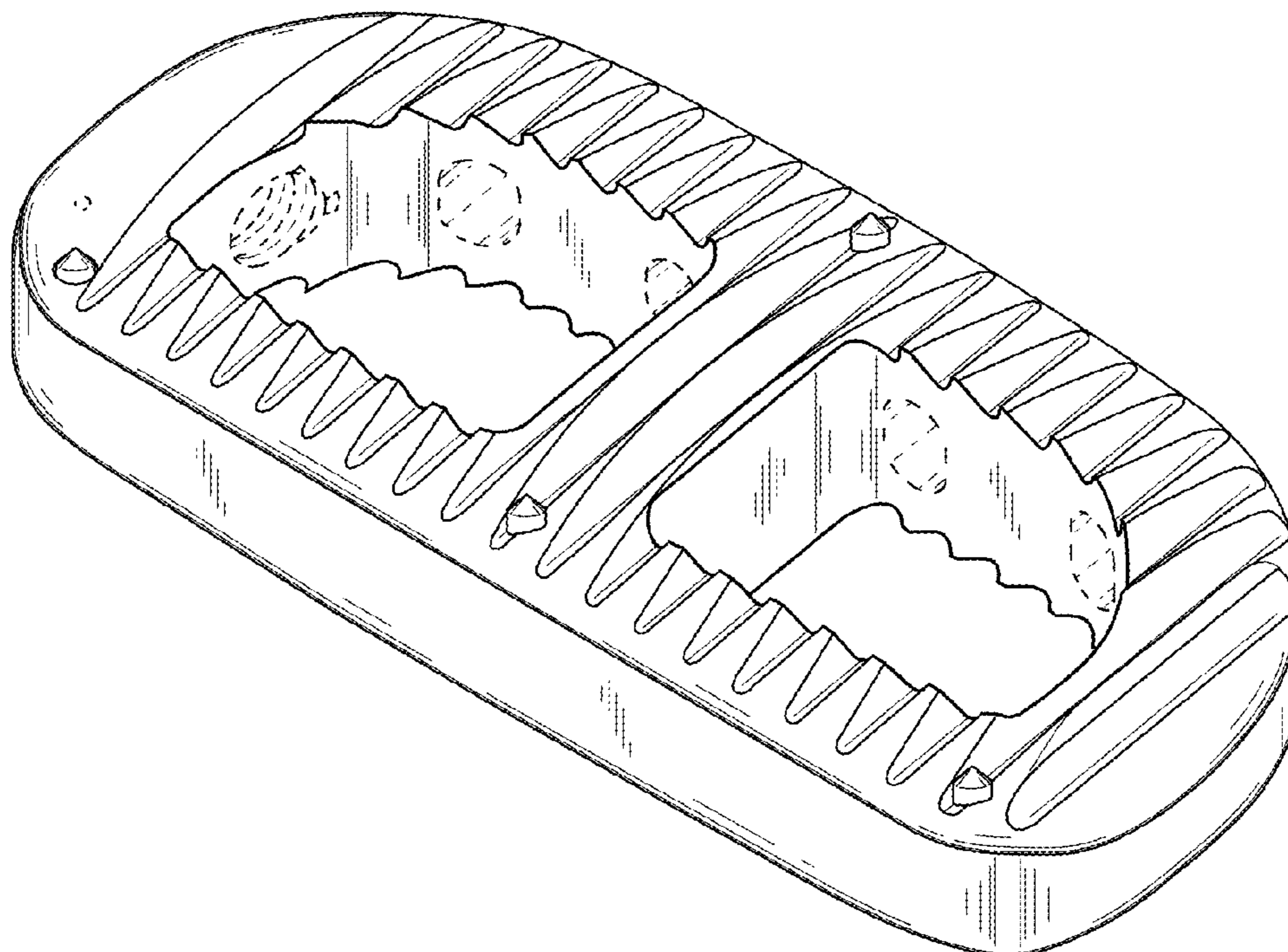
The broken line showing is included for the purpose of illustrating environment and forms no part of the claimed design.

(56) **References Cited**

**U.S. PATENT DOCUMENTS**

- D594,986 S \* 6/2009 Miles et al. .... D24/155
- D599,019 S \* 8/2009 Pimenta et al. .... D24/155

**1 Claim, 3 Drawing Sheets**



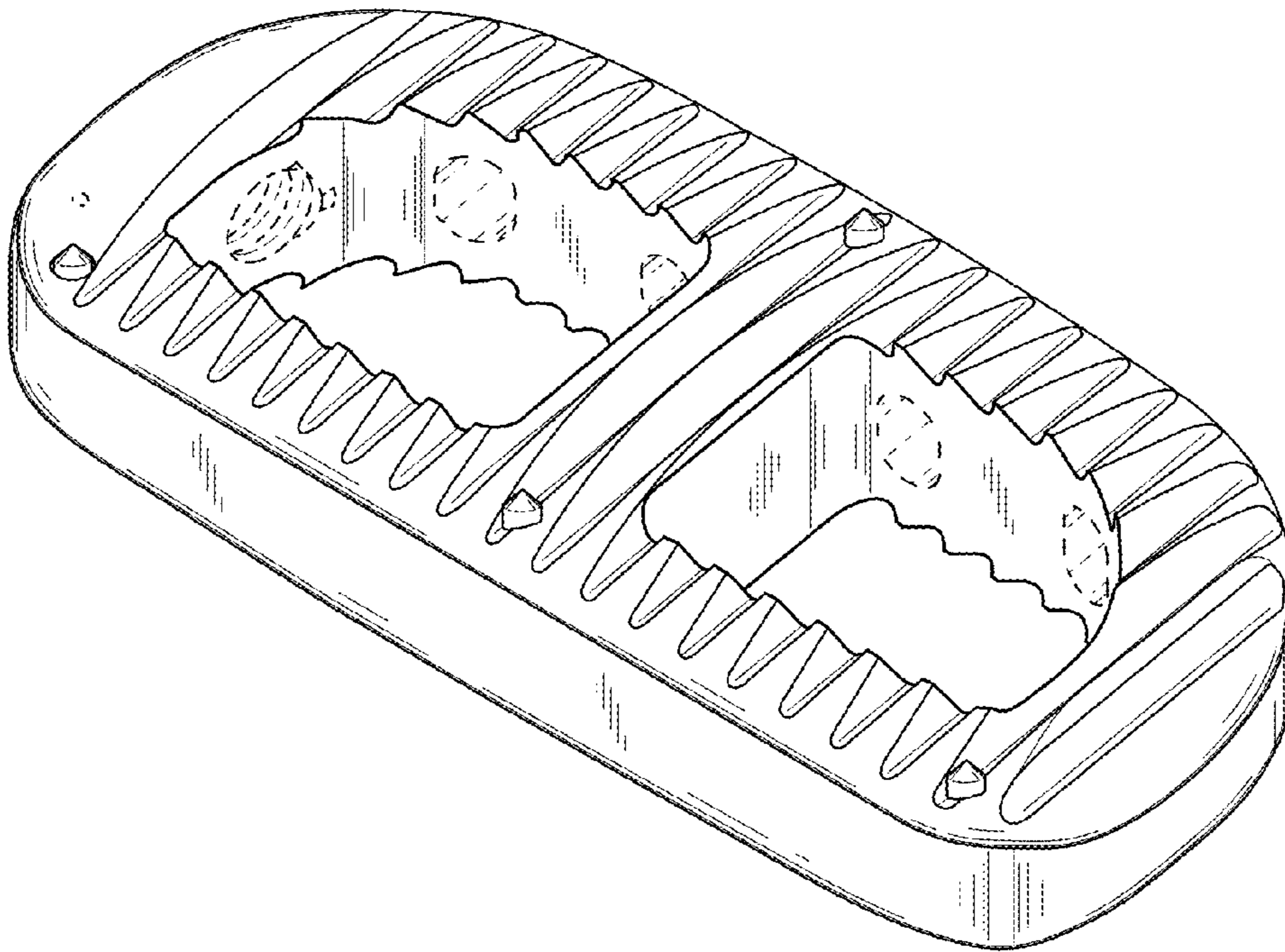


FIG. 1

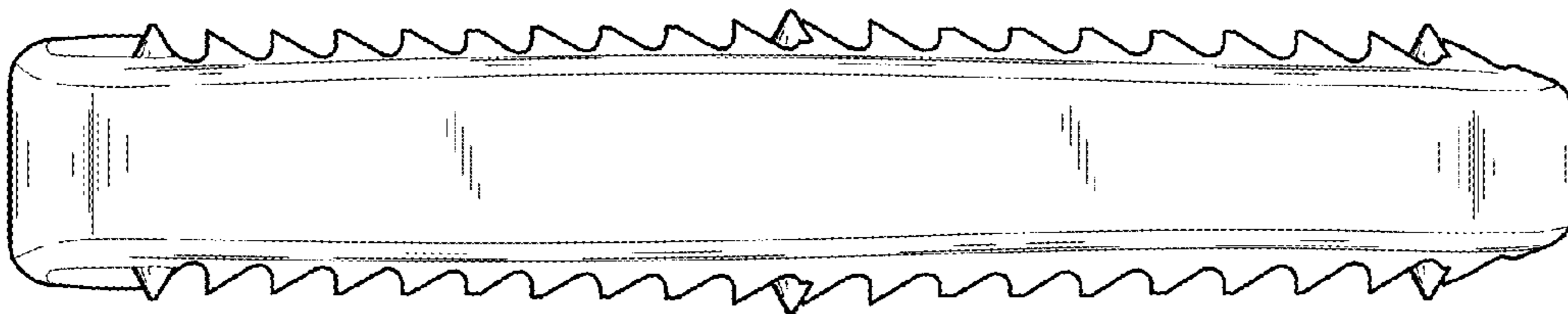


FIG. 2

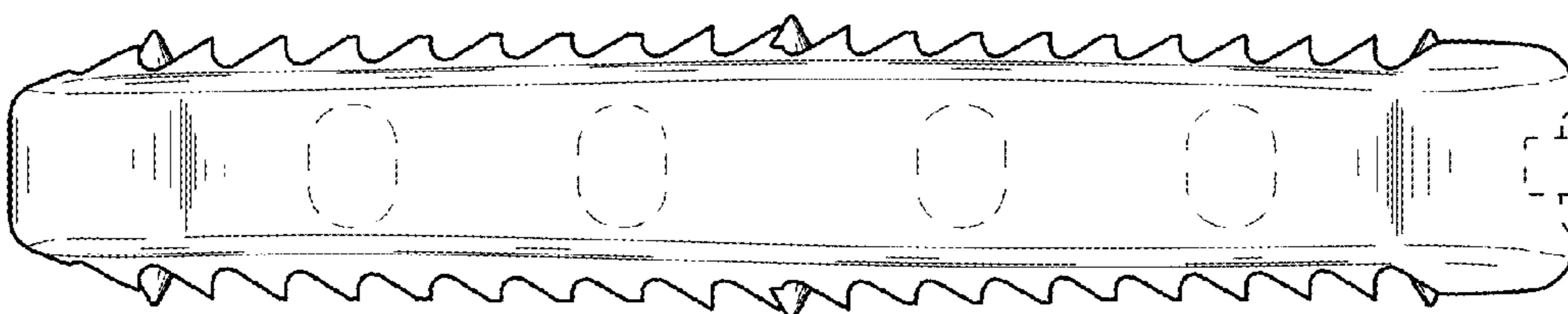
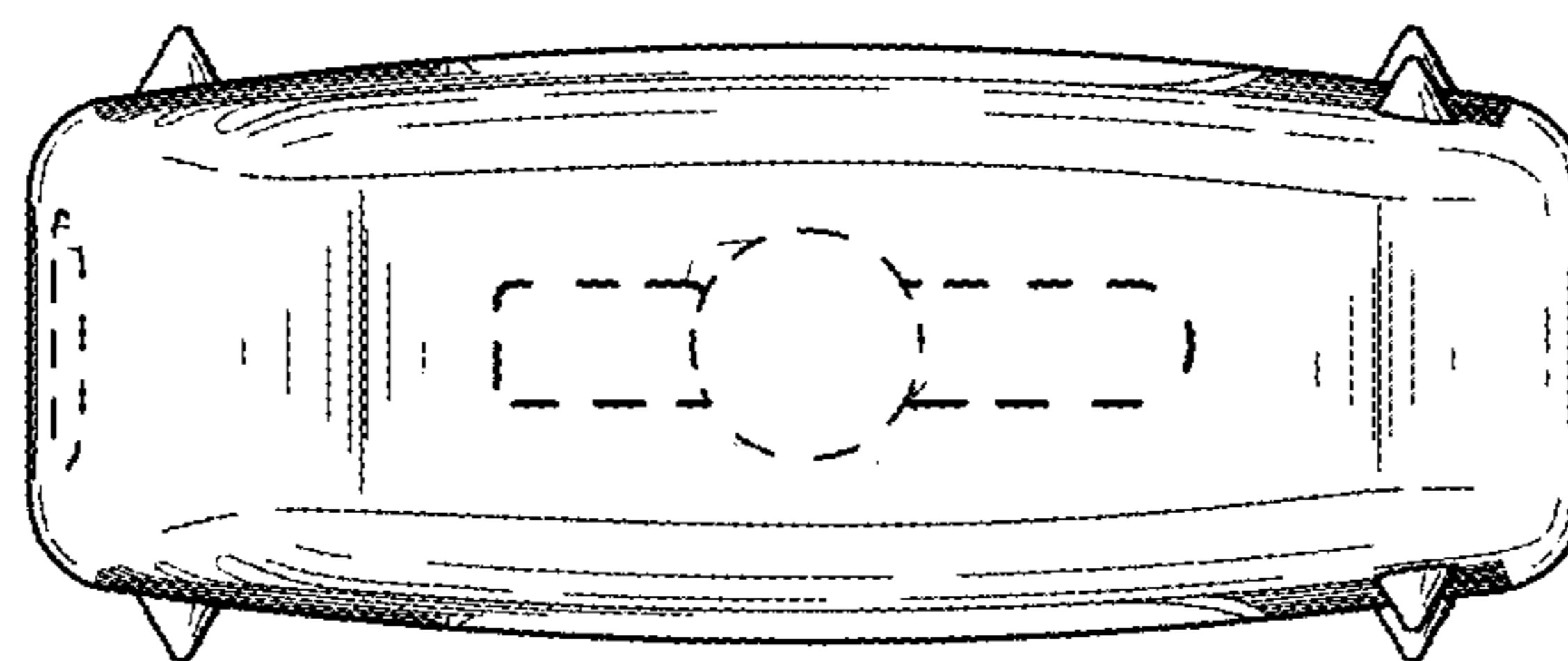
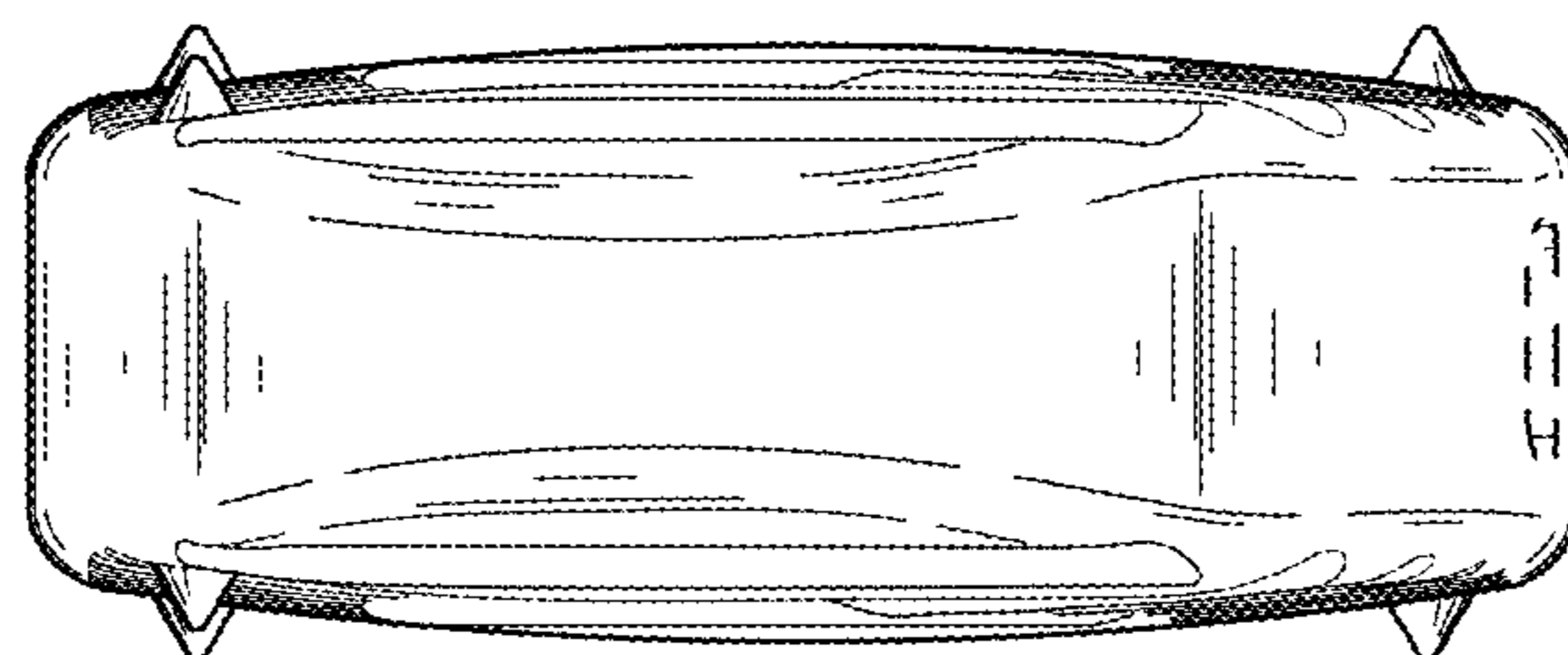


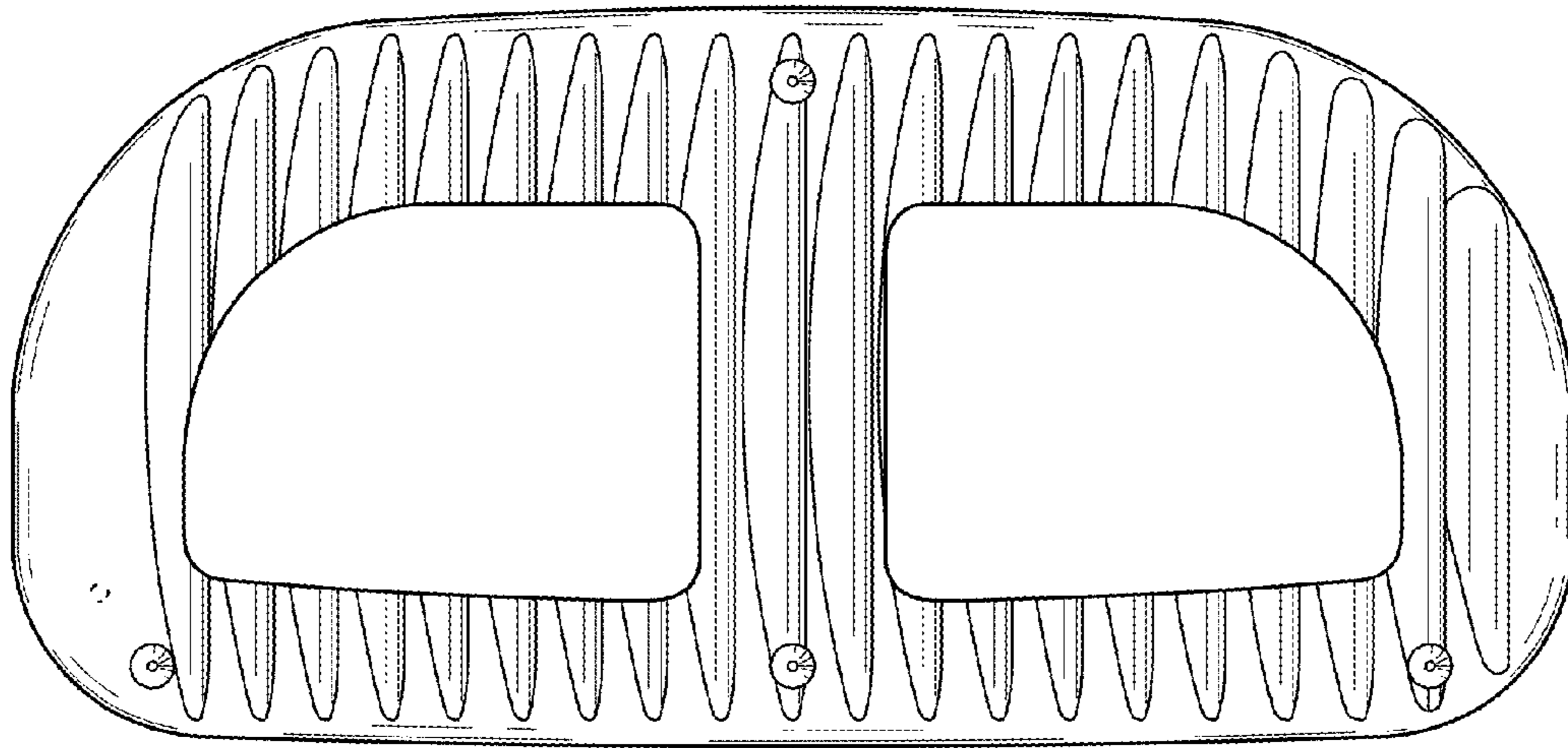
FIG. 3



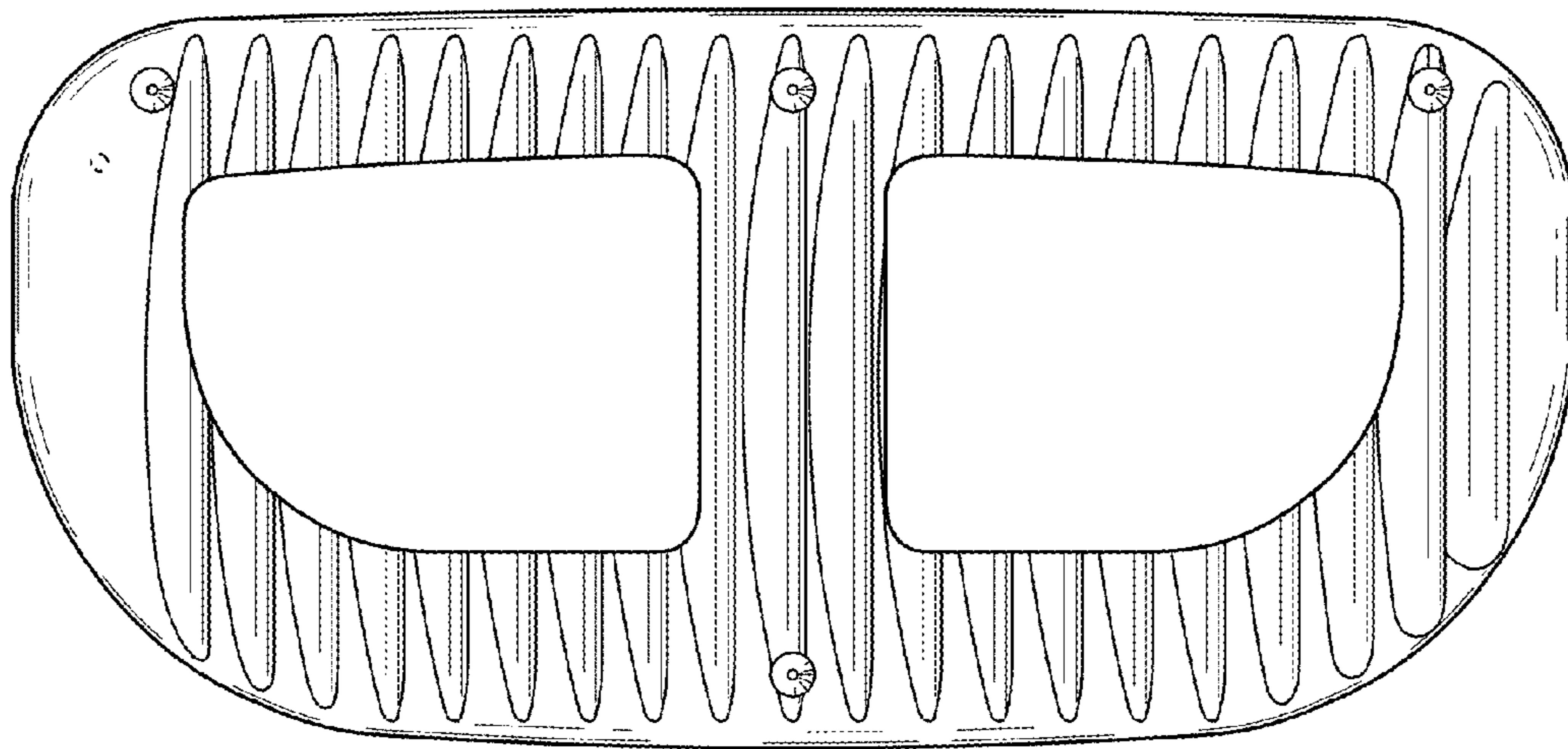
*FIG. 4*



*FIG. 5*



*FIG. 6*



*FIG. 7*