

US00D696401S

(12) **United States Design Patent**
Campo

(10) **Patent No.:** **US D696,401 S**
(45) **Date of Patent:** **** Dec. 24, 2013**

- (54) **SHAFT**
- (75) Inventor: **Rudi Campo**, Leuven (BE)
- (73) Assignee: **Karl Storz GmbH & Co. KG** (DE)
- (**) Term: **14 Years**
- (21) Appl. No.: **29/392,022**
- (22) Filed: **May 16, 2011**
- (30) **Foreign Application Priority Data**
Nov. 15, 2010 (EM) 001781360-0014
- (51) **LOC (9) Cl.** **24-02**
- (52) **U.S. Cl.**
USPC **D24/138**
- (58) **Field of Classification Search**
USPC D24/138, 137, 133, 135, 140, 146, 147,
D24/112, 107, 108; 600/101-183;
606/46-52
See application file for complete search history.

D629,099	S	*	12/2010	Kilani	D24/133
D667,544	S	*	9/2012	Bettocchi	D24/137
D667,547	S	*	9/2012	Czapalla	D24/138
D674,090	S	*	1/2013	Campo et al.	D24/138
2006/0293560	A1	*	12/2006	Nguyen et al.	600/104
2009/0299336	A1	*	12/2009	Jay-Robinson	604/533
2010/0268023	A1	*	10/2010	Campo et al.	600/104
2013/0046139	A1	*	2/2013	Daily et al.	600/104

* cited by examiner

Primary Examiner — Bridget L Eland
(74) *Attorney, Agent, or Firm* — St. Onge Steward Johnston & Reens LLC

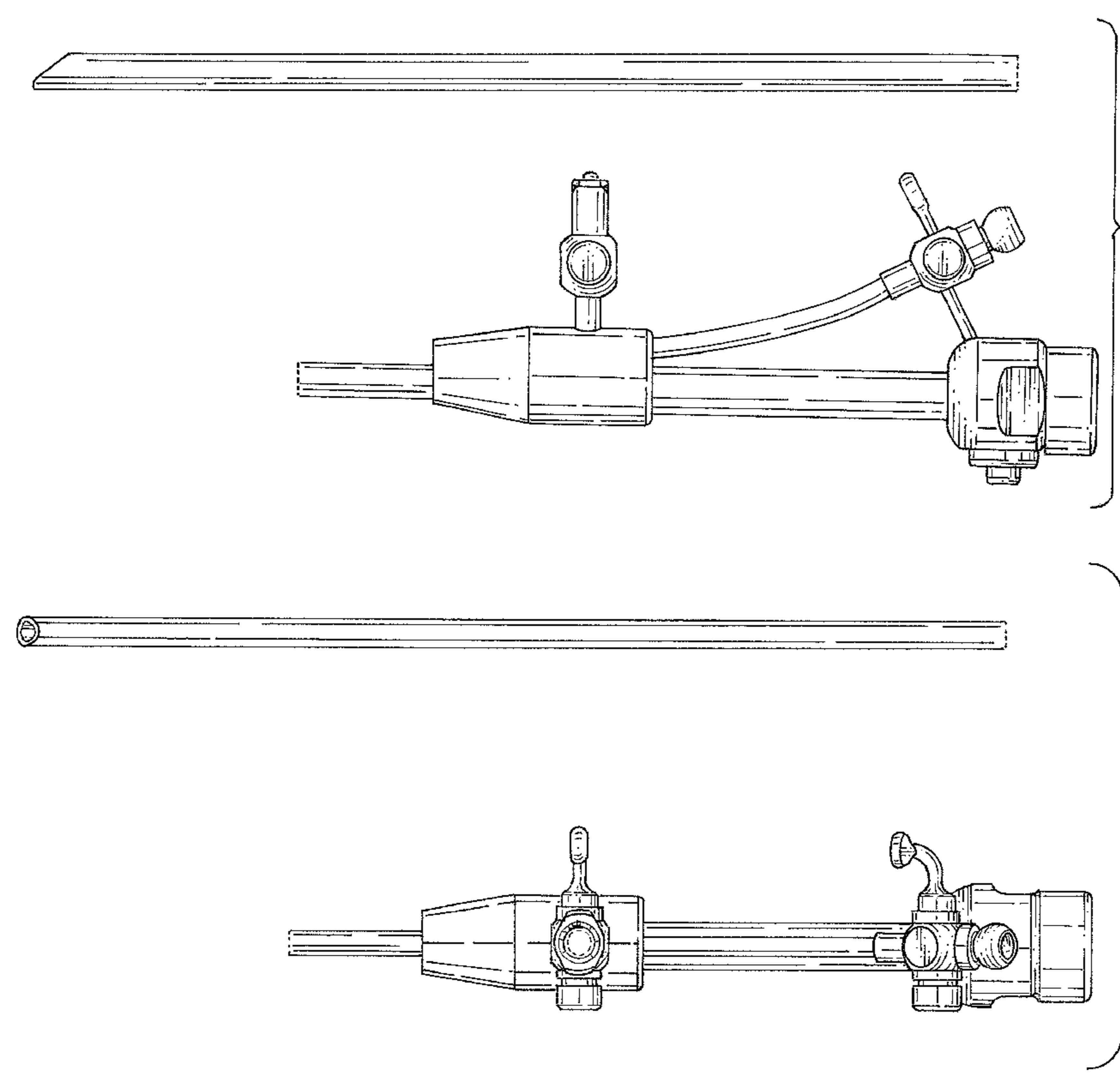
(57) **CLAIM**
The ornamental design for a shaft, as shown and described.

DESCRIPTION

FIG. 1 is a top left side isometric view of a shaft in accordance with the new design;
FIG. 2 is a left side elevation view thereof;
FIG. 3 is a right side elevation view thereof;
FIG. 4 is a top plan view thereof;
FIG. 5 is a bottom plan view thereof;
FIG. 6 is a front isometric view thereof; and,
FIG. 7 is a rear isometric view thereof.
The broken lines shown in FIGS. 1, 4, and 7 represent the bounds of the claimed design and form no part of the claimed design. The break in FIGS. 1-5 show the shaft in two parts for ease of illustration.

1 Claim, 7 Drawing Sheets

- (56) **References Cited**
U.S. PATENT DOCUMENTS
D367,324 S * 2/1996 McCarthy et al. D24/112
5,509,892 A * 4/1996 Bonnet 600/156
5,685,824 A * 11/1997 Takei 600/135
D570,482 S * 6/2008 Bettocchi D24/138



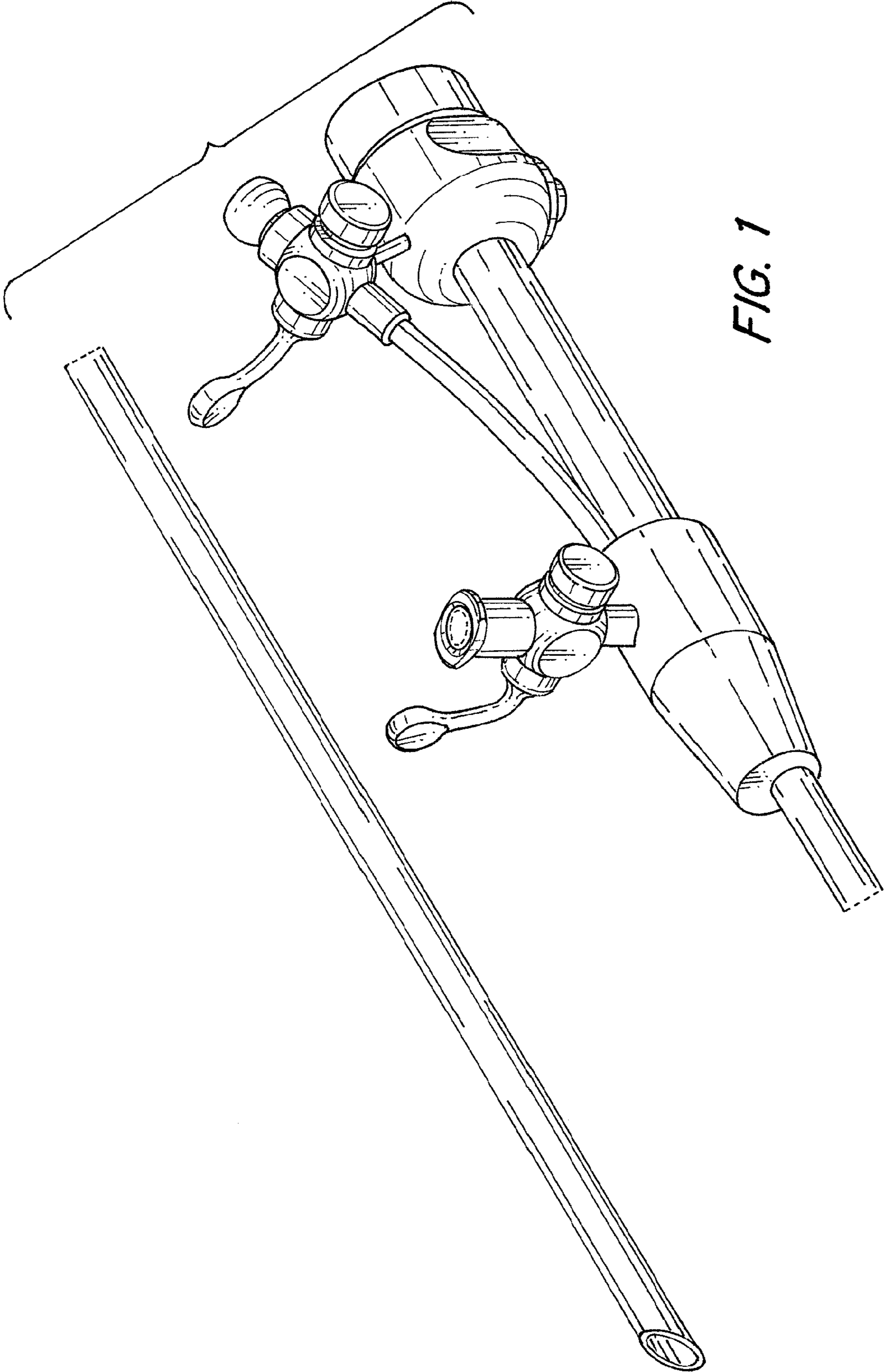


FIG. 1

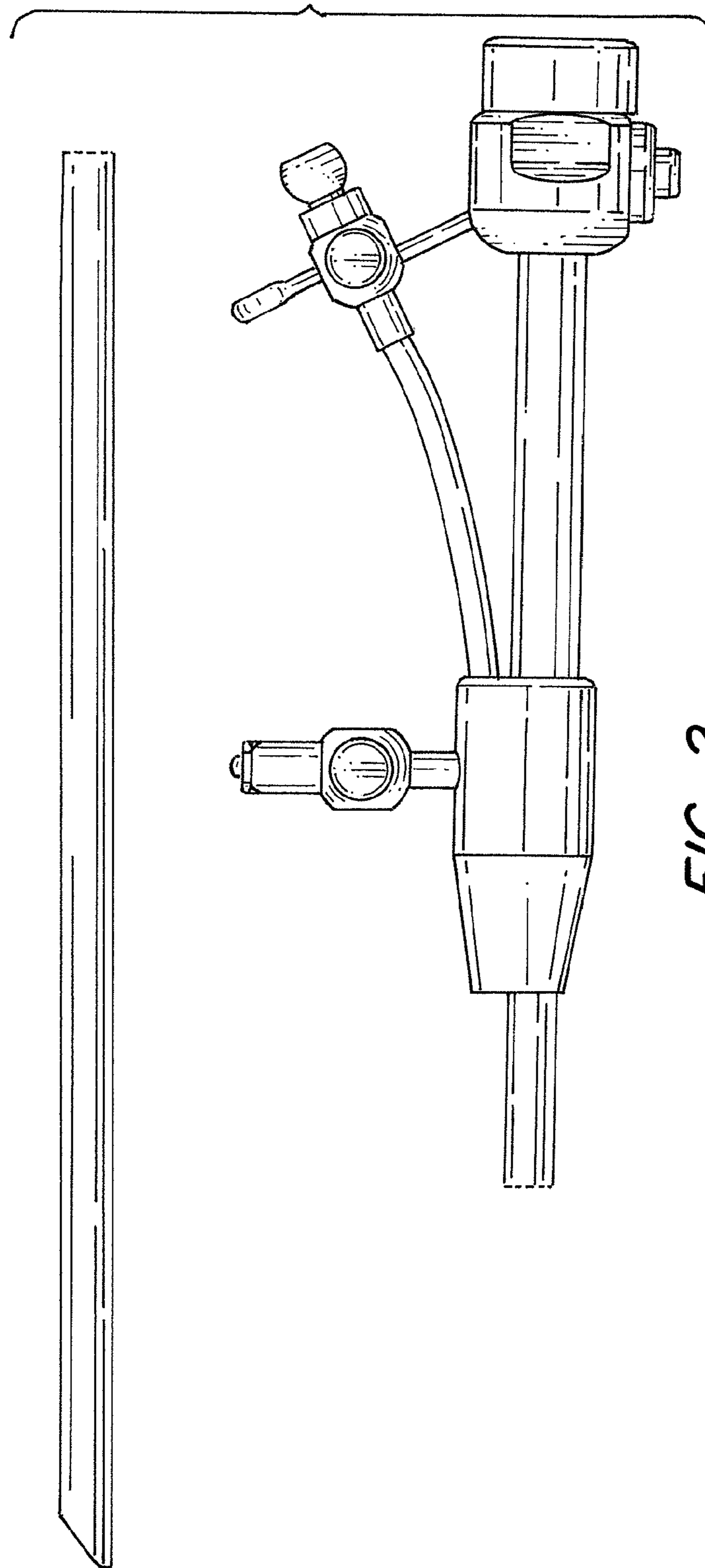


FIG. 2

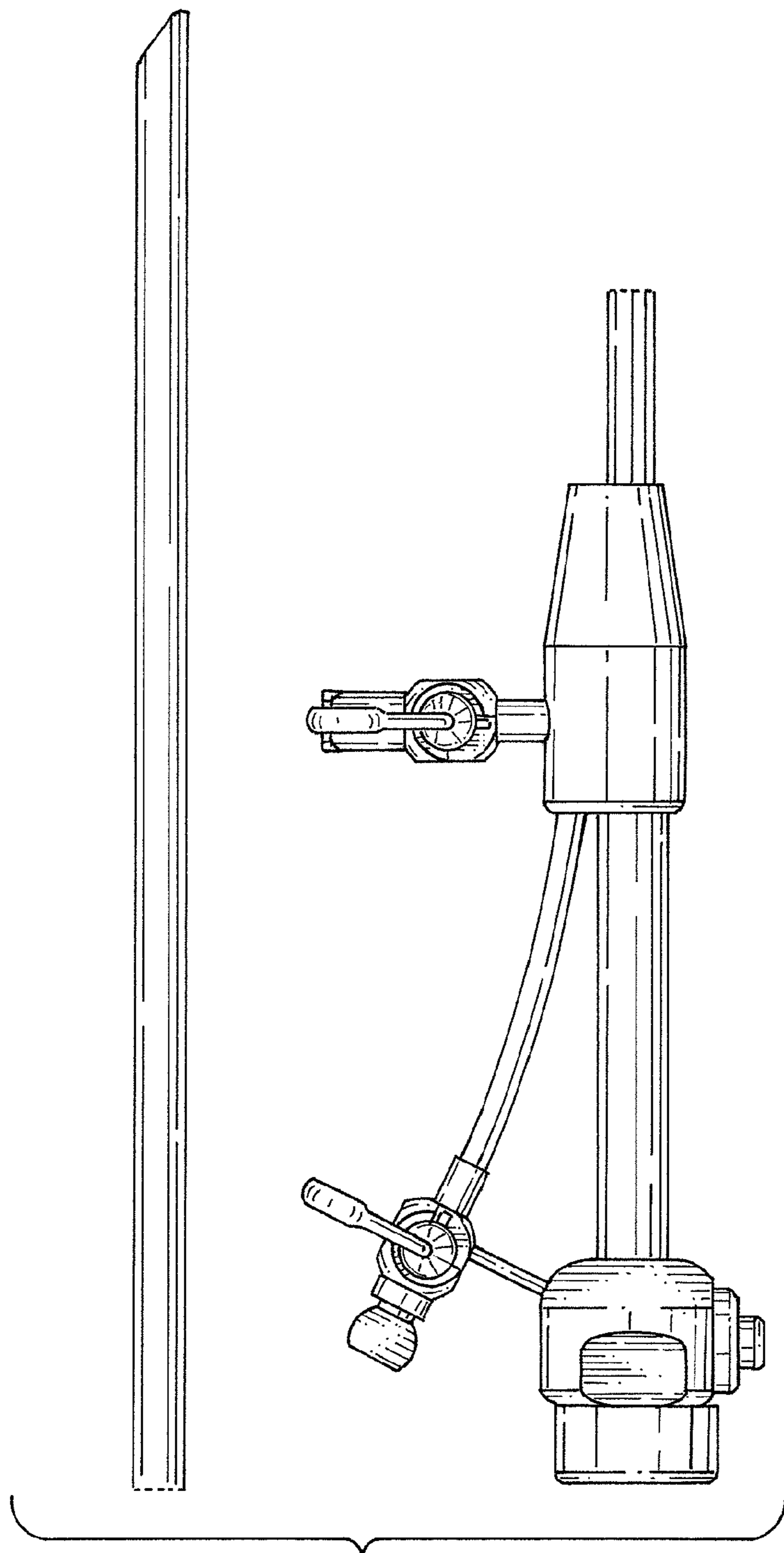


FIG. 3

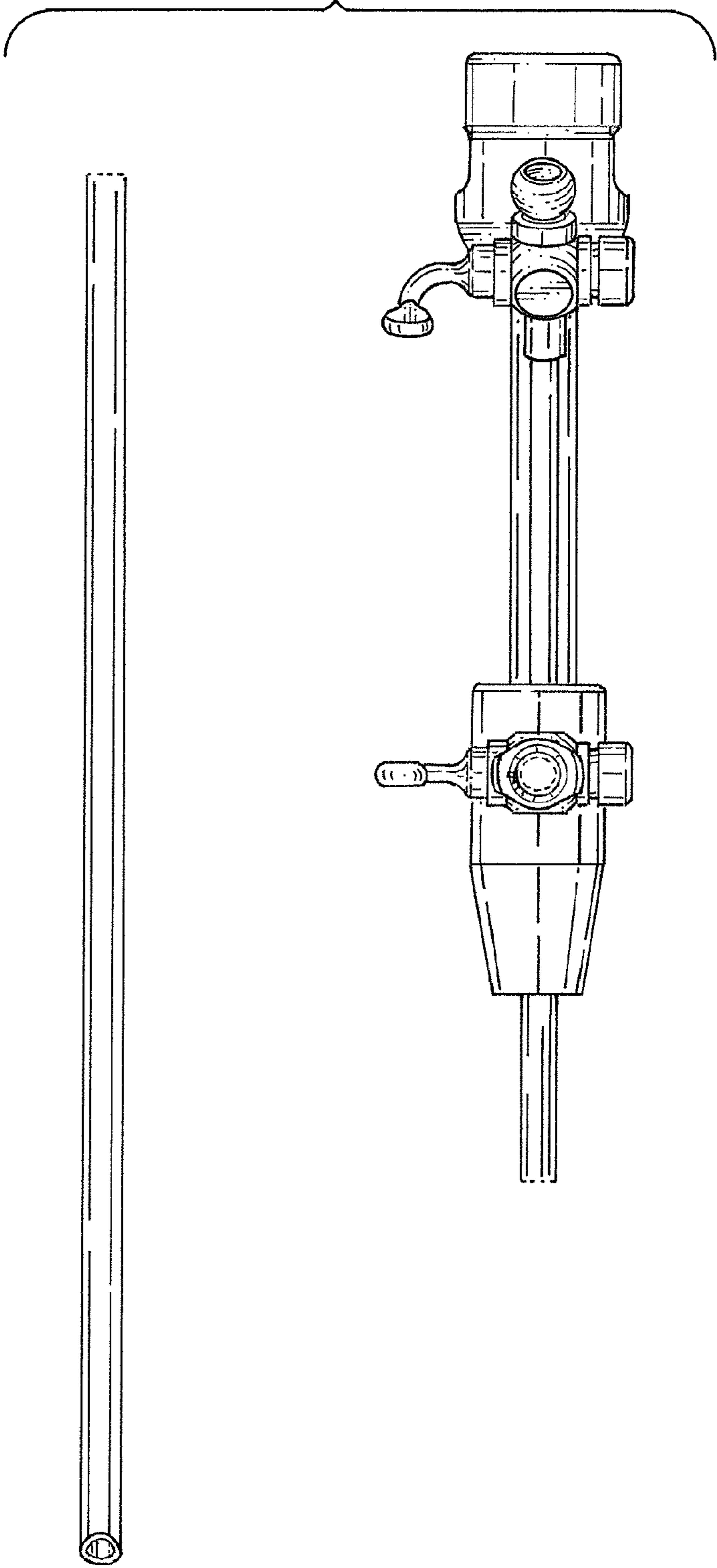


FIG. 4

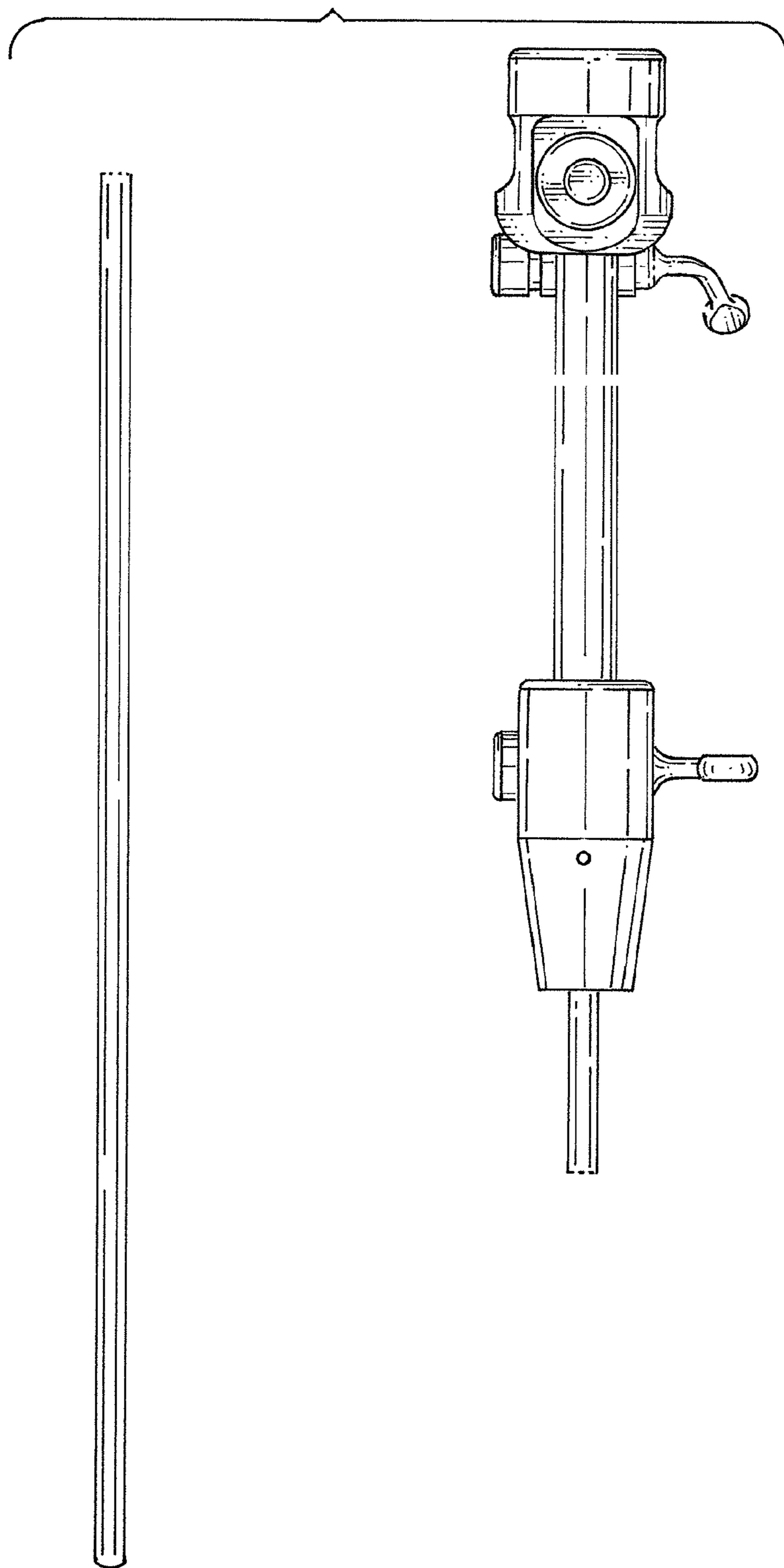


FIG. 5

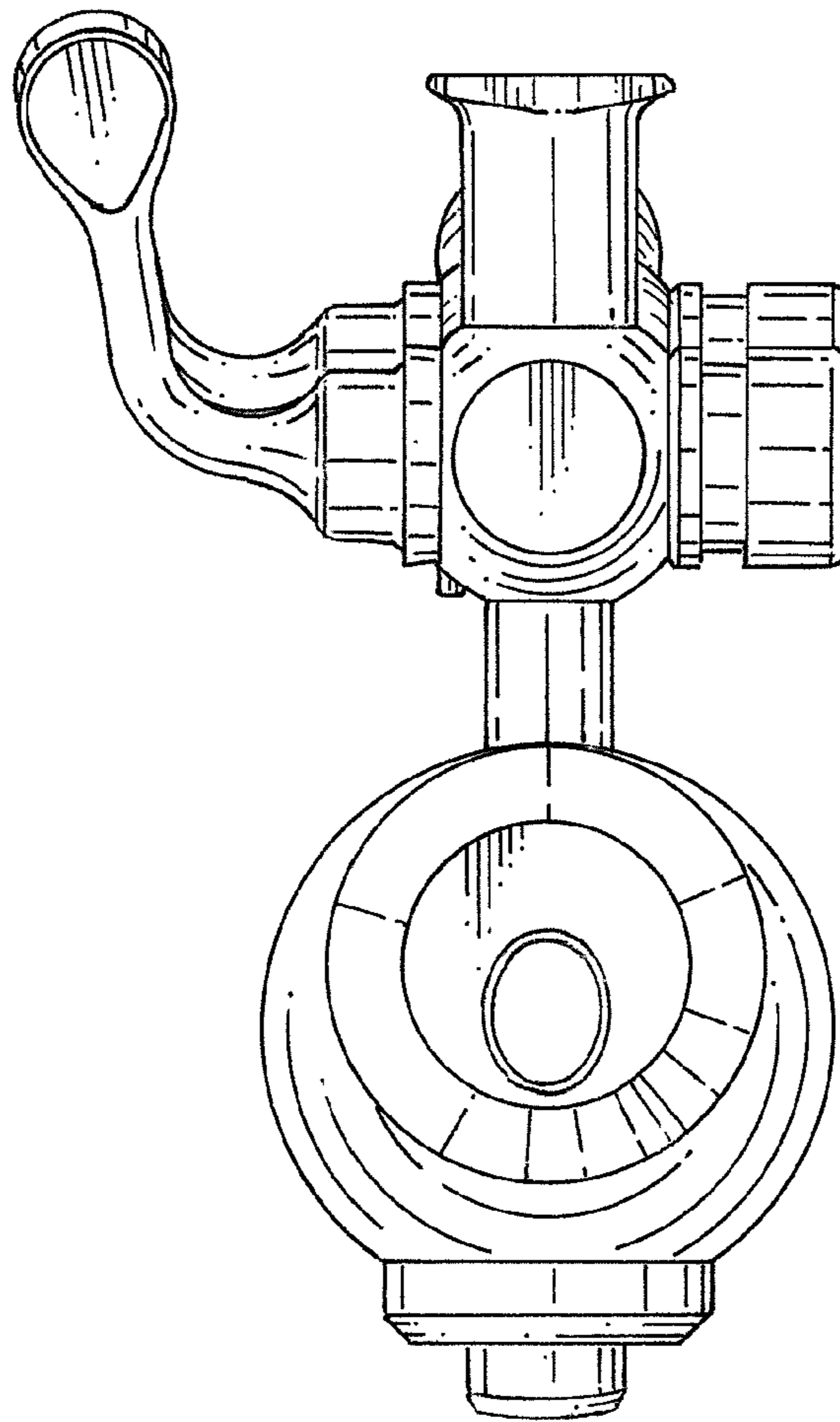


FIG. 6

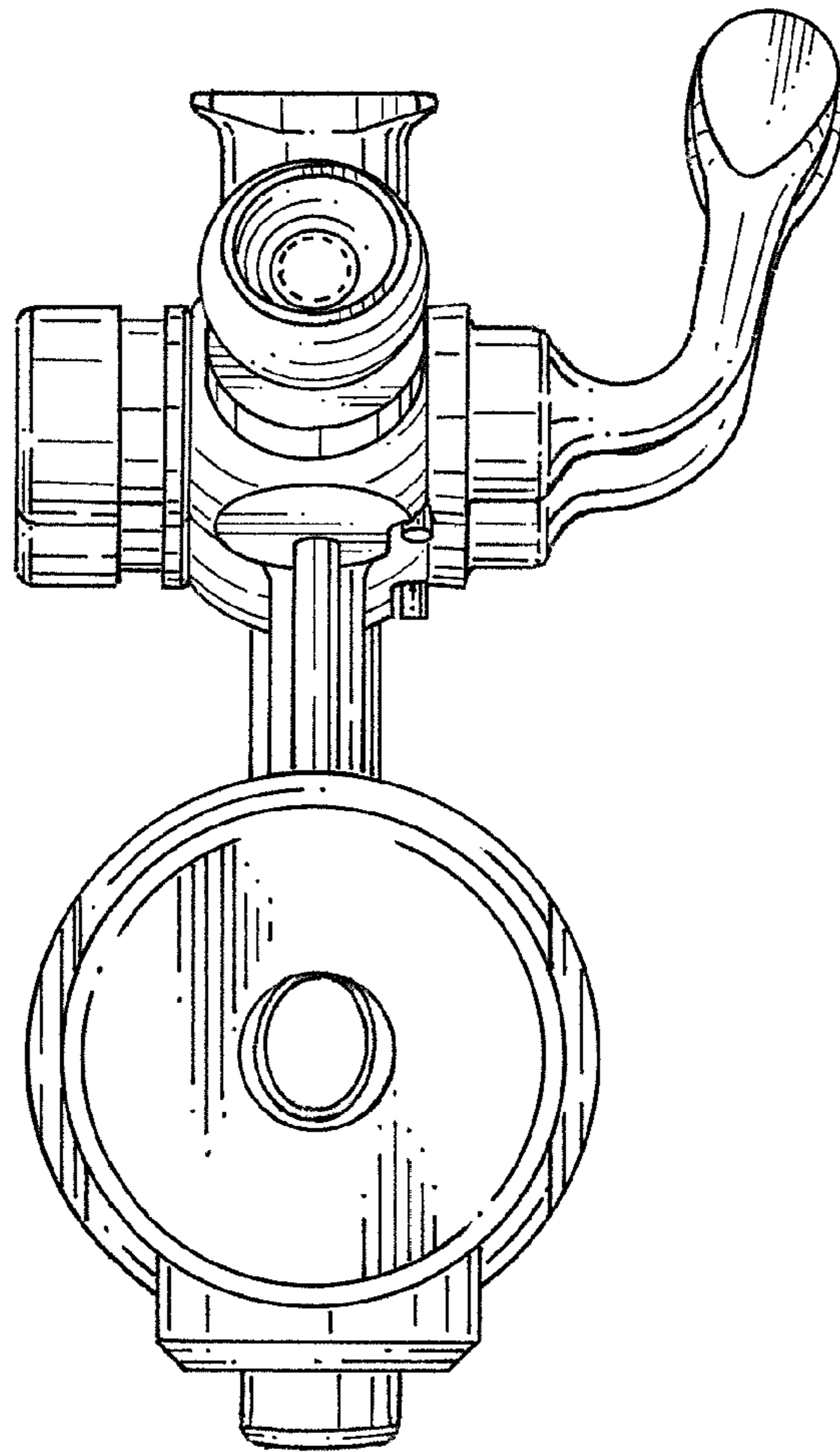


FIG. 7