



US00D696400S

(12) **United States Design Patent**  
**Brogden et al.**

(10) **Patent No.:** **US D696,400 S**

(45) **Date of Patent:** **\*\* \*Dec. 24, 2013**

(54) **NASAL DILATOR**

(75) Inventors: **Kyle N Brogden**, Parsippany, NJ (US);  
**Gustav R Fenton**, Parsippany, NJ (US);  
**Snigdha Mishra**, Parsippany, NJ (US)

(73) Assignee: **GlaxoSmithKline, LLC**, Philadelphia,  
PA (US)

(\* ) Notice: This patent is subject to a terminal disclaimer.

(\*\*) Term: **14 Years**

(21) Appl. No.: **29/432,206**

(22) Filed: **Sep. 14, 2012**

**Related U.S. Application Data**

(63) Continuation of application No. 29/398,048, filed on Jul. 26, 2011, now Pat. No. Des. 672,461, which is a continuation-in-part of application No. 29/352,630, filed on Dec. 23, 2009, now abandoned.

(51) **LOC (9) Cl.** ..... **24-02**

(52) **U.S. Cl.**  
USPC ..... **D24/135**

(58) **Field of Classification Search**  
USPC ..... D24/133, 135, 140, 189; D28/4;  
D29/108; 606/191-199

See application file for complete search history.

(56) **References Cited**

**U.S. PATENT DOCUMENTS**

5,533,499 A 7/1996 Johnson  
5,533,503 A 7/1996 Doubek et al.  
5,546,929 A 8/1996 Muchin  
5,611,333 A 3/1997 Johnson  
D379,513 S \* 5/1997 Ierulli ..... D24/135

5,653,224 A 8/1997 Johnson  
D422,358 S \* 4/2000 Lundy et al. .... D24/135  
D422,702 S \* 4/2000 Lundy et al. .... D24/135

(Continued)

**FOREIGN PATENT DOCUMENTS**

CH 137168-0001 \* 8/2010  
CH 137168-0002 \* 8/2010

(Continued)

**OTHER PUBLICATIONS**

U.S. Appl. No. 29/352,649, filed Dec, 23, 2009, Brogden et al.

(Continued)

*Primary Examiner* — Bridget L Eland

(74) *Attorney, Agent, or Firm* — Joshua C. Sanders;  
Theodore R. Furman

(57) **CLAIM**

We claim the ornamental design for a nasal dilator, as shown and described.

**DESCRIPTION**

FIG. 1 is a perspective view of a first embodiment of a nasal dilator showing our new design;

FIG. 2 is a top view thereof;

FIG. 3 is a bottom view thereof;

FIG. 4 is a side elevational view thereof, both sides being the same;

FIG. 5 is an end elevational view thereof, both ends being the same;

FIG. 6 is a perspective view of a second embodiment of a nasal dilator showing our new design;

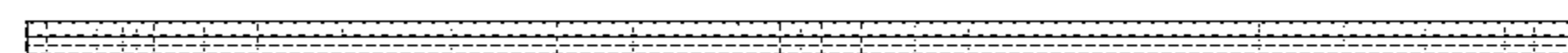
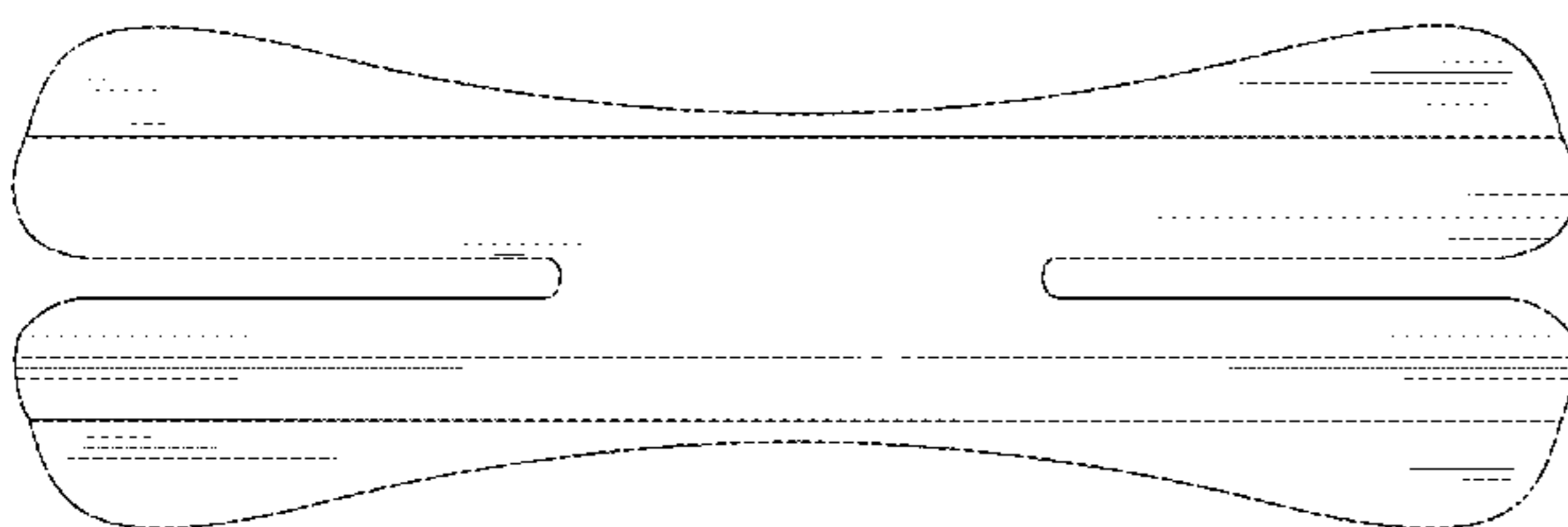
FIG. 7 is a top view thereof;

FIG. 8 is a bottom view thereof;

FIG. 9 is a side elevational view thereof, both sides being the same; and,

FIG. 10 is an end elevational view thereof, both ends being the same.

**1 Claim, 8 Drawing Sheets**



(56)

**References Cited**

U.S. PATENT DOCUMENTS

D422,703 S \* 4/2000 Lundy et al. .... D24/135  
 6,065,470 A 5/2000 Van Cromvoirt et al.  
 D427,370 S \* 6/2000 Kalafsky et al. .... D28/4  
 D429,332 S \* 8/2000 Ierulli ..... D24/135  
 D430,295 S \* 8/2000 Ierulli ..... D24/135  
 6,098,616 A 8/2000 Lundy, Jr. et al.  
 D432,652 S \* 10/2000 Ierulli ..... D24/135  
 D437,641 S \* 2/2001 Ierulli ..... D24/135  
 D441,081 S \* 4/2001 Mueller ..... D24/189  
 6,318,362 B1 11/2001 Johnson  
 6,453,901 B1 9/2002 Ierulli  
 6,631,714 B2 10/2003 Von Duyke et al.  
 D490,897 S \* 6/2004 Ruch ..... D24/135  
 7,067,710 B1 6/2006 Beaudry  
 D639,762 S \* 6/2011 Brogden et al. .... D24/135  
 D644,324 S \* 8/2011 Brunner et al. .... D24/135  
 D644,325 S \* 8/2011 Brunner et al. .... D24/135  
 D651,710 S \* 1/2012 Brogden et al. .... D24/135  
 D667,543 S \* 9/2012 Ierulli ..... D24/135  
 D671,643 S \* 11/2012 Ierulli ..... D24/135  
 D672,461 S \* 12/2012 Brogden et al. .... D24/135  
 D672,872 S \* 12/2012 Brunner et al. .... D24/135  
 D673,270 S \* 12/2012 Brunner et al. .... D24/135  
 2001/0032645 A1 10/2001 Cronk et al.

2007/0255309 A1 11/2007 Guyuron et al.  
 2008/0058858 A1 3/2008 Smith  
 2008/0184995 A1 8/2008 Ierulli et al.  
 2008/0257341 A1 10/2008 Ierulli  
 2009/0234383 A1 9/2009 Ierulli

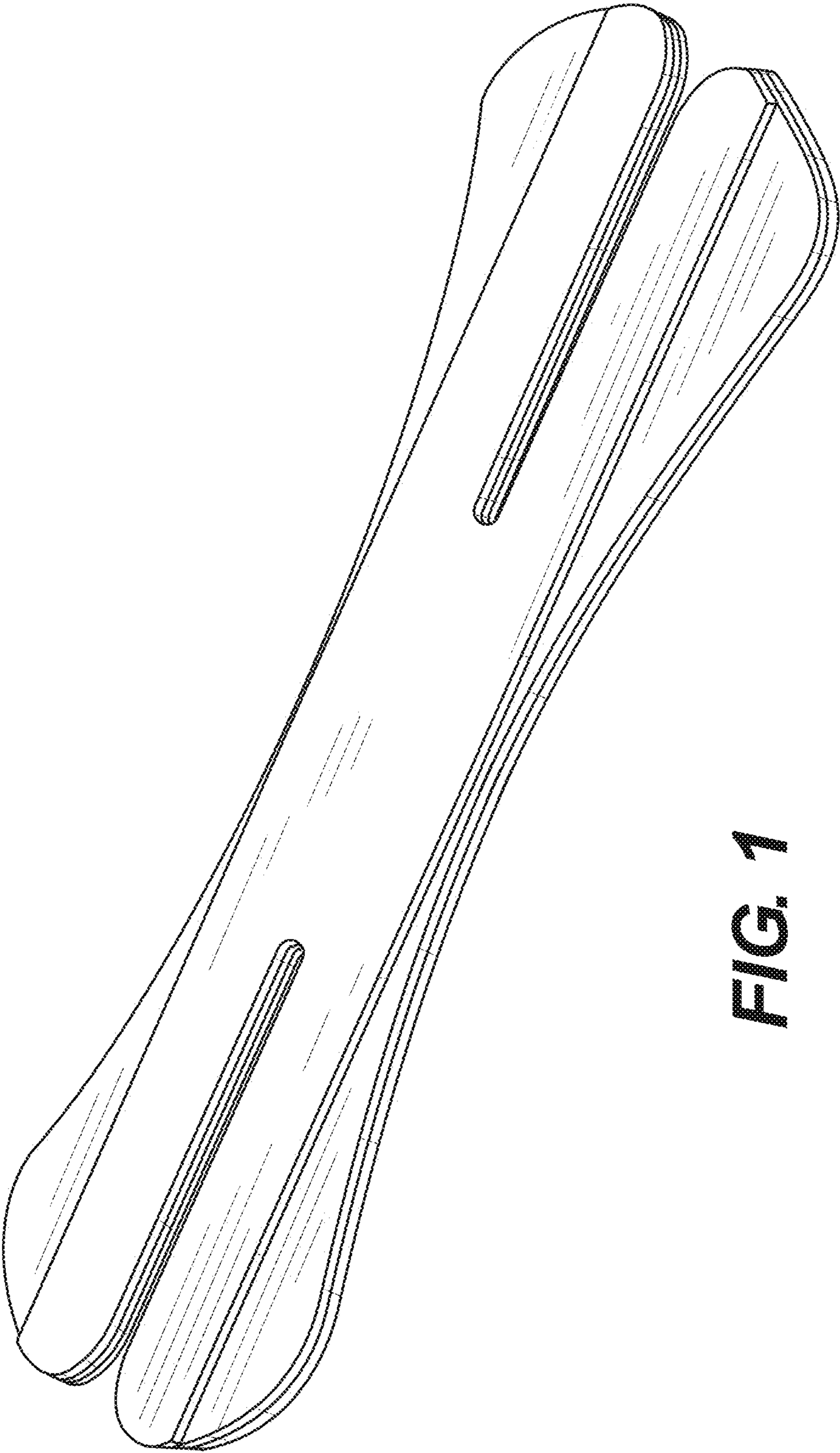
FOREIGN PATENT DOCUMENTS

CH 137168-0003 \* 8/2010  
 CN 137168-0004 \* 8/2010  
 EM 001220826-0001 \* 8/2010  
 EM 001220826-0002 \* 8/2010  
 EM 001220826-0003 \* 8/2010  
 EM 001220826-0004 \* 8/2010  
 EP 0842646 5/1998  
 JP D1418796 \* 7/2011  
 JP D1419051 \* 7/2011  
 JP D1419052 \* 7/2011  
 JP D1419053 \* 7/2011  
 WO WO99/22678 5/1999  
 WO WO2005/020845 2/2009

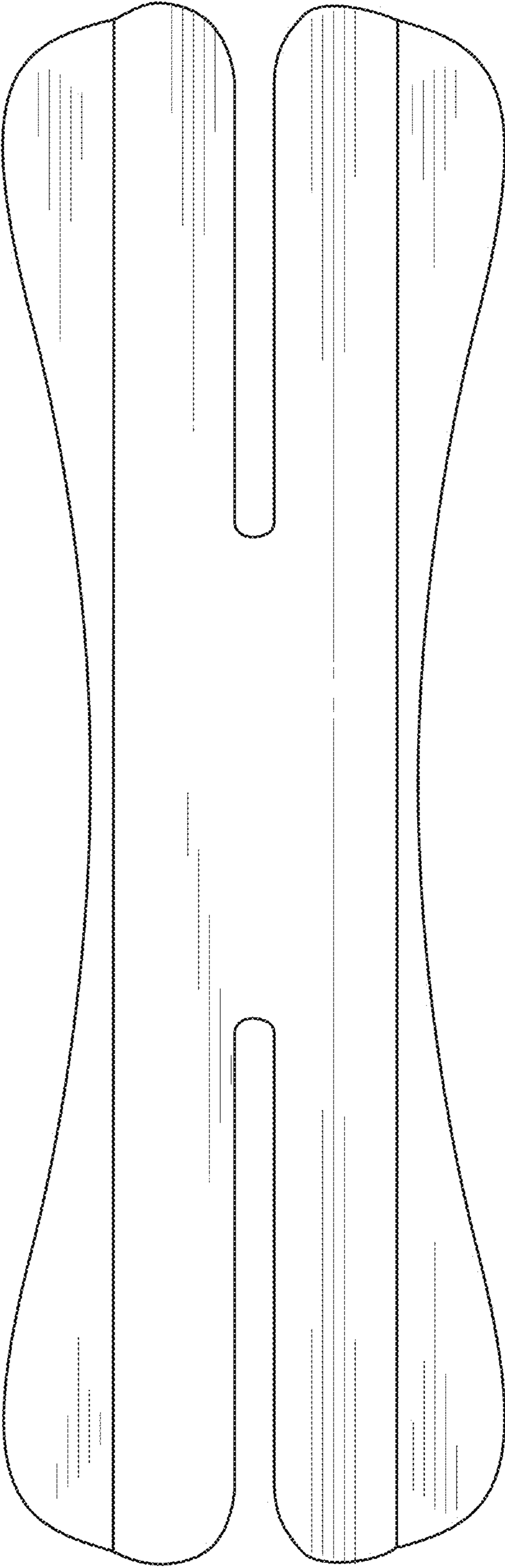
OTHER PUBLICATIONS

U.S. Appl. No. 29/352,646, filed Dec. 23, 2009, Brunner et al.  
 U.S. Appl. No. 29/352,627, filed Dec. 23, 2009, Brogden et al.

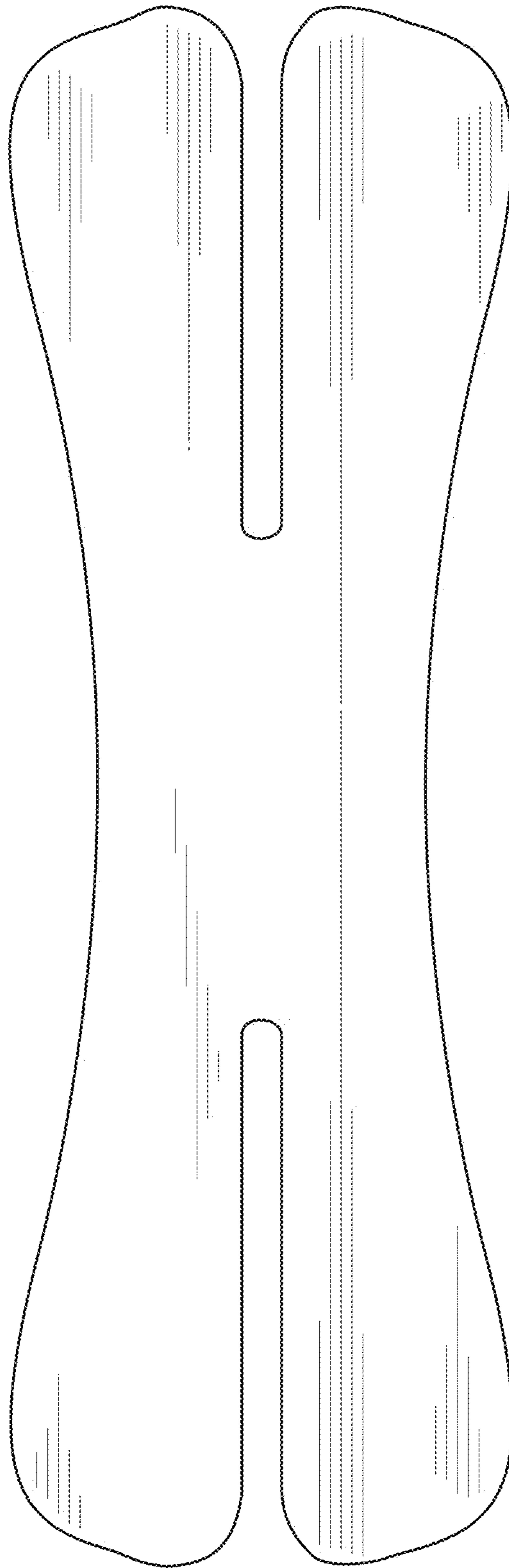
\* cited by examiner



**FIG. 1**



**FIG. 2**



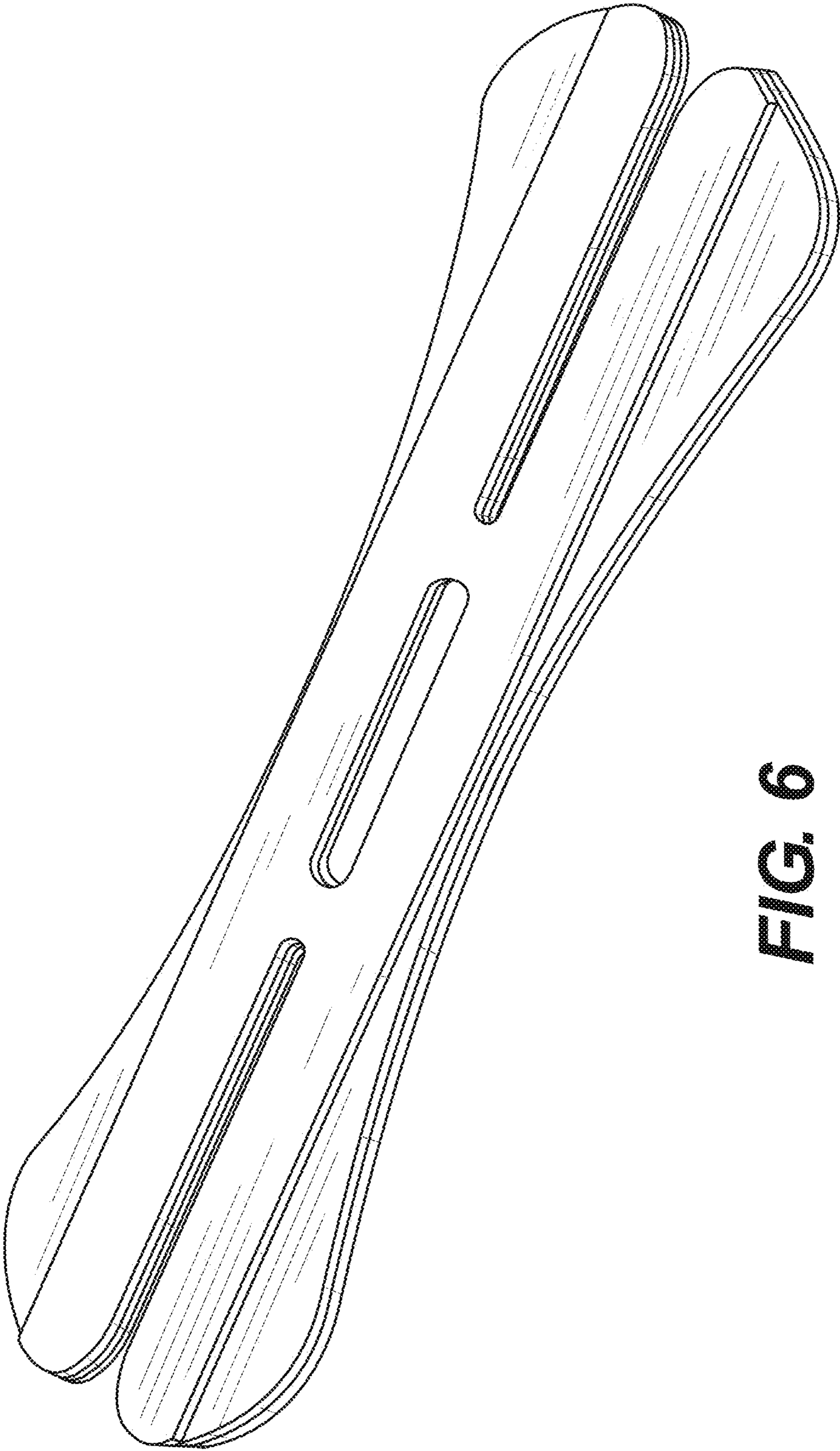
**FIG. 3**



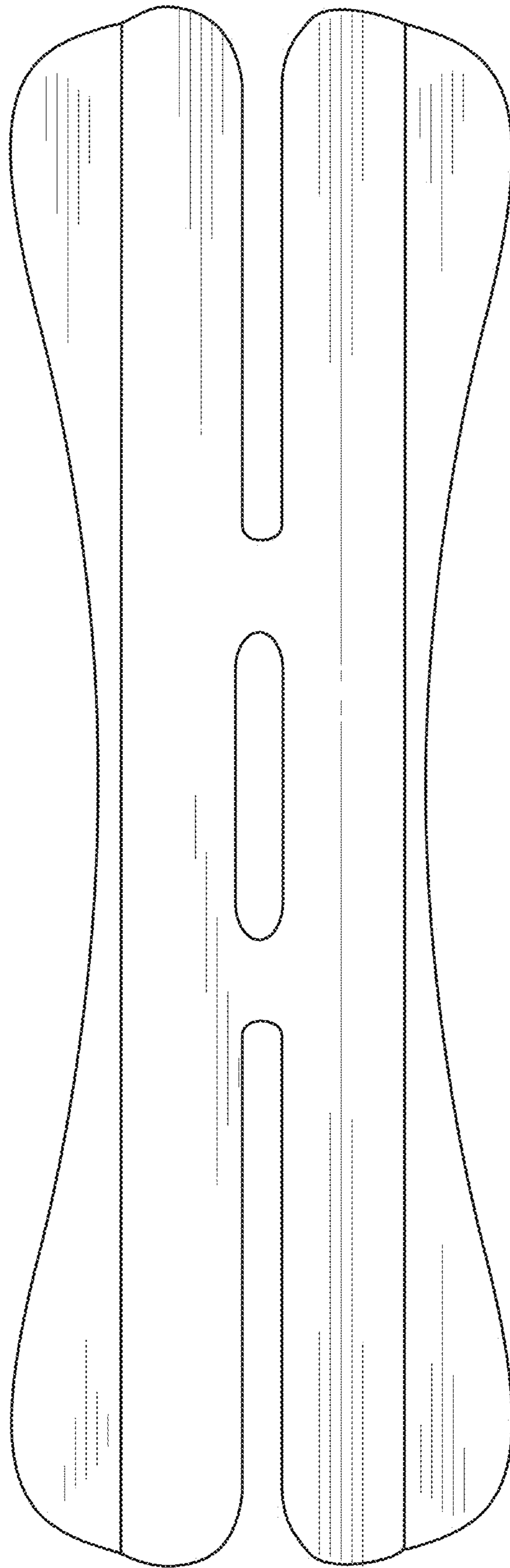
**FIG. 4**



**FIG. 5**

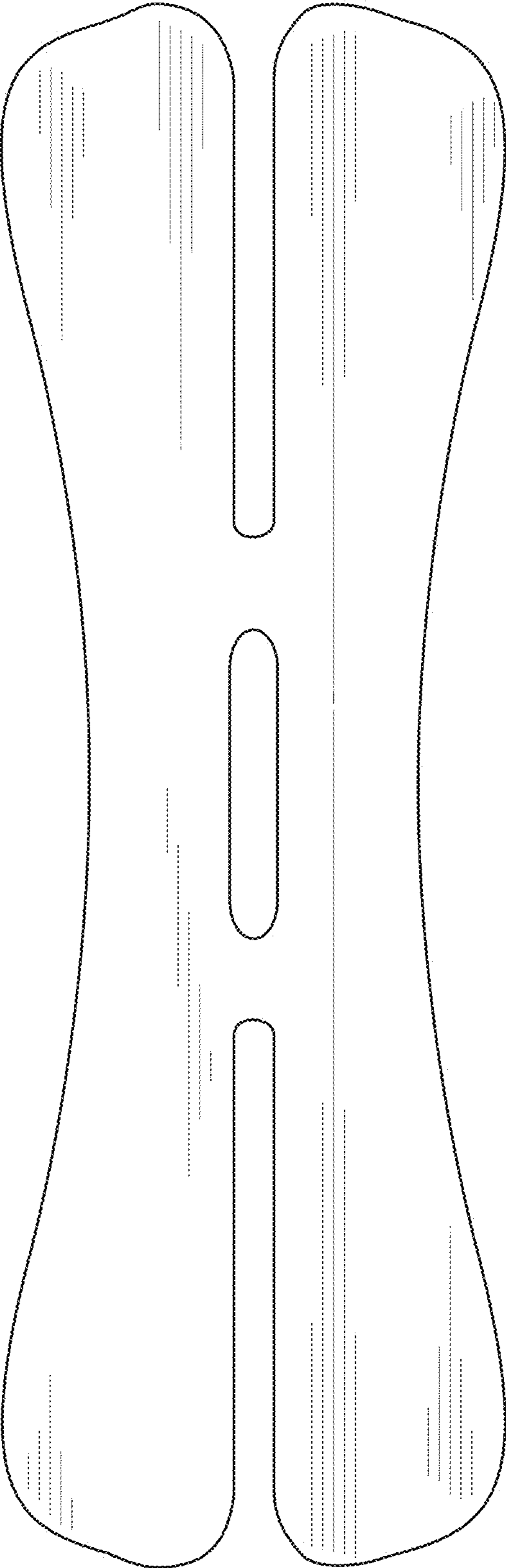


**FIG. 6**



**FIG. 7**





**FIG. 8**



**FIG. 9**



**FIG. 10**