

US00D696399S

(12) **United States Design Patent**
Kleiner

(10) **Patent No.:** **US D696,399 S**

(45) **Date of Patent:** **** Dec. 24, 2013**

- (54) **SPINAL DISTRACTION INSTRUMENT**
- (71) Applicant: **Jeffrey B. Kleiner**, Denver, CO (US)
- (72) Inventor: **Jeffrey B. Kleiner**, Denver, CO (US)
- (73) Assignee: **Kleiner Intellectual Property, LLC**,
Denver, CO (US)

- 4,462,402 A 7/1984 Burgio et al.
- 4,467,478 A 8/1984 Jurgutis
- 4,501,269 A 2/1985 Bagby
- 4,522,270 A 6/1985 Kishi

(Continued)

(**) Term: **14 Years**

(21) Appl. No.: **29/433,403**

(22) Filed: **Sep. 28, 2012**

FOREIGN PATENT DOCUMENTS

- WO WO 99/08627 2/1999
- WO WO 2005/037149 4/2005

OTHER PUBLICATIONS

Ray, C., "Facet Joint Disorders and Back Pain," published on Spine-Health, Dec. 10, 2002, available at www.spine-health.com/conditions/arthritis/facet-joint-disorders-and-back-pain, 1 page.

(Continued)

Related U.S. Application Data

(63) Continuation of application No. 13/277,272, filed on Oct. 20, 2011, now Pat. No. 8,277,510, which is a continuation of application No. 12/367,487, filed on Feb. 6, 2009, now Pat. No. 8,088,163.

Primary Examiner — Bridget L Eland

(74) *Attorney, Agent, or Firm* — Sheridan Ross P.C.

(51) **LOC (9) Cl.** **24-02**

(52) **U.S. Cl.**
USPC **D24/133**

(58) **Field of Classification Search**
USPC D24/133, 145, 146, 147; 606/246, 264,
606/279, 86 A, 86 R; 623/17.11
See application file for complete search history.

(57) **CLAIM**

The ornamental design for a spinal distraction instrument, as shown and described.

DESCRIPTION

FIG. 1 is a front perspective view of a spinal distraction instrument showing my new design; FIG. 2 is a rear perspective view thereof; FIG. 3 is a front elevation view thereof; FIG. 4 is a rear elevation view thereof; FIG. 5 is a right elevation view thereof; FIG. 6 is a left elevation view thereof; FIG. 7 is a top plan view thereof; and, FIG. 8 is a bottom plan view thereof.

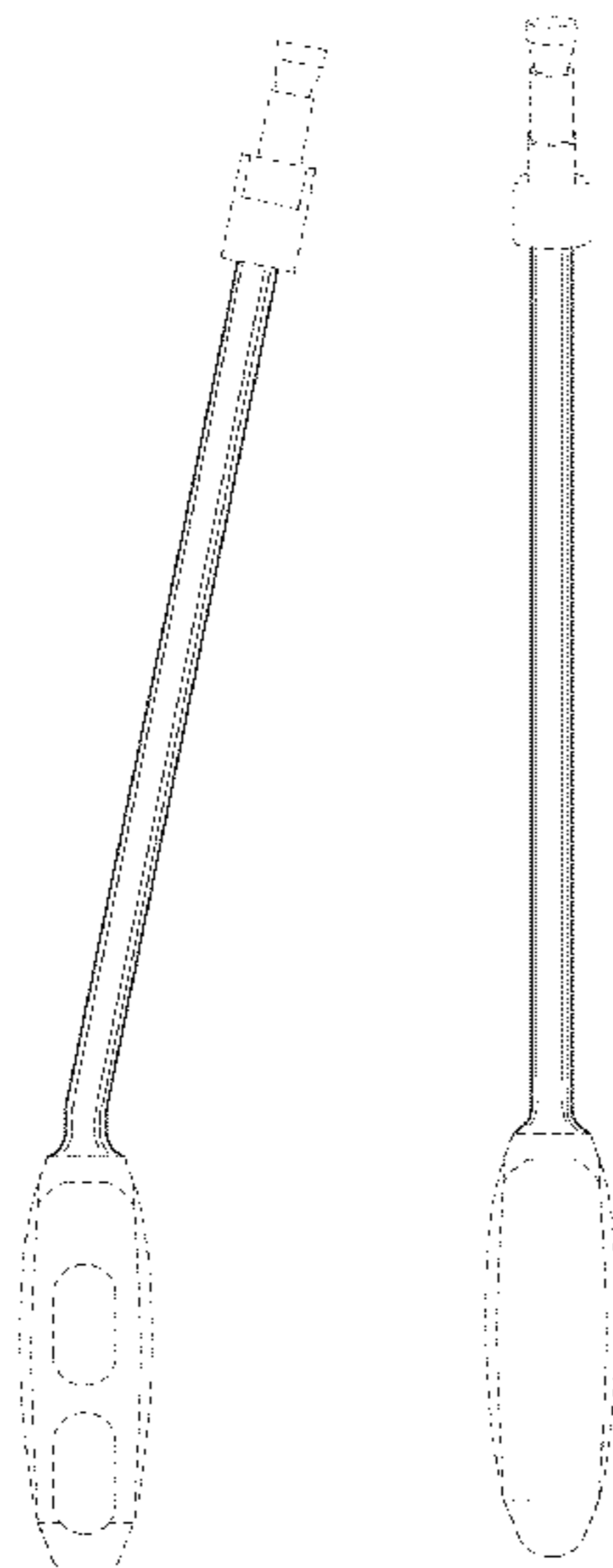
The broken lines immediately adjacent the shaded areas represent the bounds of the claimed design while all other broken lines are directed to environment and are for illustrative purposes only; the broken lines form no part of the claimed design.

1 Claim, 5 Drawing Sheets

(56) **References Cited**

U.S. PATENT DOCUMENTS

- 2,520,464 A * 8/1950 Hubner 30/286
- 3,697,011 A 10/1972 Christensen et al.
- 3,741,496 A 6/1973 Beller
- 3,836,092 A 9/1974 Hull
- 3,855,638 A 12/1974 Pilliar
- 4,039,156 A 8/1977 Abraham
- 4,041,939 A 8/1977 Hall
- 4,047,524 A 9/1977 Hall
- 4,206,516 A 6/1980 Pilliar
- 4,277,184 A 7/1981 Solomon
- 4,430,062 A 2/1984 Henrichsen et al.



(56)

References Cited

U.S. PATENT DOCUMENTS

4,570,623 A	2/1986	Ellison et al.	6,033,408 A	3/2000	Gage et al.
4,580,978 A	4/1986	Motola et al.	6,033,438 A	3/2000	Bianchi et al.
4,592,346 A	6/1986	Jurgutis	6,045,555 A	4/2000	Smith et al.
4,743,256 A	5/1988	Brantigan	6,090,143 A	7/2000	Meriwether et al.
4,877,399 A	10/1989	Frank et al.	6,096,080 A	8/2000	Nicholson et al.
4,991,570 A	2/1991	Bullard	6,113,602 A	9/2000	Sand
5,037,422 A	8/1991	Hayhurst	6,120,503 A	9/2000	Michelson
5,053,038 A	10/1991	Sheehan	6,123,705 A	9/2000	Michelson
5,055,104 A	10/1991	Ray	6,136,001 A	10/2000	Michelson
5,058,823 A	10/1991	Emura et al.	6,142,998 A	11/2000	Smith et al.
5,282,744 A	2/1994	Meyer	6,146,420 A	11/2000	McKay
5,290,295 A	3/1994	Querals et al.	6,149,096 A	11/2000	Hartley
5,311,640 A	5/1994	Holland	6,152,871 A	11/2000	Foley et al.
5,312,407 A	5/1994	Carter	6,159,211 A	12/2000	Boriani et al.
5,312,417 A	5/1994	Wilk	6,159,245 A	12/2000	Meriwether et al.
5,324,307 A	6/1994	Jarrett et al.	6,180,085 B1	1/2001	Achilefu
5,329,834 A	7/1994	Wong	6,209,886 B1	4/2001	Estes et al.
5,333,812 A	8/1994	Sato	6,216,573 B1	4/2001	Moutafis et al.
5,354,292 A	10/1994	Braeuer et al.	6,224,599 B1	5/2001	Baynham et al.
5,395,372 A	3/1995	Holt et al.	6,235,805 B1	5/2001	Chang et al.
D360,689 S *	7/1995	Giampapa D24/146	6,238,397 B1	5/2001	Zucherman et al.
5,431,658 A	7/1995	Moskovich	6,241,733 B1	6/2001	Nicholson et al.
D364,462 S	11/1995	Michelson	6,241,769 B1	6/2001	Nicholson et al.
5,520,611 A	5/1996	Rao et al.	6,245,108 B1	6/2001	Biscup
5,527,312 A	6/1996	Ray	6,258,094 B1	7/2001	Nicholson et al.
D372,781 S *	8/1996	Reif D24/133	6,261,293 B1	7/2001	Nicholson et al.
5,549,607 A	8/1996	Olson et al.	6,261,295 B1	7/2001	Nicholson et al.
5,554,191 A	9/1996	Lahille et al.	6,261,296 B1	7/2001	Aebi et al.
5,558,674 A	9/1996	Heggeness et al.	6,290,724 B1	9/2001	Marino
D374,283 S	10/1996	Michelson	6,299,613 B1	10/2001	Ogilvie et al.
5,562,661 A	10/1996	Yoshimi et al.	6,309,395 B1	10/2001	Smith et al.
5,569,246 A	10/1996	Ojima et al.	6,325,805 B1	12/2001	Ogilvie et al.
5,586,989 A	12/1996	Bray	6,328,738 B1	12/2001	Suddaby
5,595,563 A	1/1997	Moison	6,336,928 B1	1/2002	Guerin et al.
5,601,557 A	2/1997	Hayhurst	6,342,074 B1	1/2002	Simpson
D378,409 S	3/1997	Michelson	6,364,880 B1	4/2002	Michelson
5,611,800 A	3/1997	Davis et al.	6,375,635 B1	4/2002	Moutafis et al.
5,634,925 A	6/1997	Urbanski	6,387,096 B1	5/2002	Hyde, Jr.
5,653,763 A	8/1997	Errico et al.	6,409,765 B1	6/2002	Bianchi et al.
5,662,655 A	9/1997	Laboureau et al.	6,436,101 B1	8/2002	Hamada
5,665,122 A	9/1997	Kambin	6,451,017 B1	9/2002	Moutafis et al.
5,688,285 A	11/1997	Yamada	6,454,806 B1	9/2002	Cohen et al.
5,697,932 A	12/1997	Smith et al.	6,467,556 B2	10/2002	Alsrue
5,702,449 A	12/1997	McKay	6,500,206 B1	12/2002	Bryan
5,704,892 A	1/1998	Adair	6,511,493 B1	1/2003	Moutafis et al.
5,741,253 A	4/1998	Michelson	6,520,976 B1	2/2003	Gage
5,762,629 A	6/1998	Kambin	6,524,318 B1	2/2003	Longhini et al.
5,779,642 A	7/1998	Nightengale	6,565,574 B2	5/2003	Michelson
5,782,919 A	7/1998	Zdeblick et al.	6,569,201 B2	5/2003	Moumene et al.
5,797,918 A	8/1998	McGuire et al.	6,613,091 B1	9/2003	Zdeblick et al.
5,836,948 A	11/1998	Zucherman et al.	6,616,669 B2	9/2003	Ogilvie et al.
5,836,958 A	11/1998	Ralph	6,620,356 B1	9/2003	Wong et al.
5,860,973 A	1/1999	Michelson	6,641,613 B2	11/2003	Sennett
5,860,977 A	1/1999	Zucherman et al.	6,648,915 B2	11/2003	Sazy
5,865,746 A	2/1999	Murugesan et al.	6,652,533 B2	11/2003	O'Neil
5,865,846 A	2/1999	Bryan et al.	6,669,710 B2	12/2003	Moutafis et al.
5,871,462 A	2/1999	Yoder et al.	6,673,113 B2	1/2004	Ralph et al.
5,888,228 A	3/1999	Knothe et al.	6,679,887 B2	1/2004	Nicholson et al.
5,904,689 A	5/1999	Jonjic	6,695,882 B2	2/2004	Bianchi et al.
5,906,616 A	5/1999	Pavlov et al.	6,699,288 B2	3/2004	Moret
5,925,051 A	7/1999	Mikhail	6,709,438 B2	3/2004	Dixon et al.
5,944,658 A	8/1999	Koros et al.	6,719,760 B2	4/2004	Dorchak et al.
5,944,686 A	8/1999	Patterson et al.	6,719,795 B1	4/2004	Cornwall et al.
5,947,972 A	9/1999	Gage et al.	6,730,125 B1	5/2004	Lin
5,976,146 A	11/1999	Ogawa et al.	6,743,257 B2	6/2004	Castro
5,989,257 A	11/1999	Tidwell et al.	6,764,491 B2	7/2004	Frey et al.
5,997,895 A	12/1999	Narotam et al.	6,773,437 B2	8/2004	Ogilvie et al.
6,004,191 A	12/1999	Schur et al.	6,800,093 B2	10/2004	Nicholson et al.
6,004,326 A	12/1999	Castro et al.	6,824,565 B2	11/2004	Muhanna et al.
6,013,028 A	1/2000	Jho et al.	6,830,574 B2	12/2004	Heckele et al.
6,019,765 A	2/2000	Thornhill et al.	6,890,728 B2	5/2005	Dolecek et al.
6,030,356 A	2/2000	Carlson et al.	6,899,712 B2	5/2005	Moutafis et al.
6,030,388 A	2/2000	Yoshimi et al.	6,923,792 B2	8/2005	Staid et al.
6,030,390 A	2/2000	Mehdizadeh	6,929,646 B2	8/2005	Gambale
6,030,401 A	2/2000	Marino	6,942,665 B2	9/2005	Gambale
			6,960,182 B2	11/2005	Moutafis et al.
			6,962,592 B2	11/2005	Gattorna et al.
			6,969,523 B1	11/2005	Mattern et al.
			6,974,480 B2	12/2005	Messerli et al.

(56)

References Cited

U.S. PATENT DOCUMENTS

6,994,728 B2	2/2006	Zubok et al.	7,632,276 B2	12/2009	Fishbein
7,004,946 B2	2/2006	Parker et al.	7,655,027 B2	2/2010	Michelson
7,008,431 B2	3/2006	Simonson	7,658,766 B2	2/2010	Melkent et al.
7,014,640 B2	3/2006	Kemppainen et al.	7,674,297 B2	3/2010	Falahee
7,025,742 B2	4/2006	Rubenstein et al.	7,677,418 B2	3/2010	Henniges et al.
7,025,769 B1	4/2006	Ferree	7,686,805 B2	3/2010	Michelson
7,033,317 B2	4/2006	Pruitt	7,691,133 B2	4/2010	Partin et al.
7,041,136 B2	5/2006	Goble et al.	7,693,562 B2	4/2010	Marino et al.
7,066,961 B2	6/2006	Michelson	7,708,761 B2	5/2010	Petersen
7,077,864 B2	7/2006	Byrd, III et al.	7,717,685 B2	5/2010	Moutafis et al.
7,094,257 B2	8/2006	Mujwid et al.	7,722,530 B2	5/2010	Davison
7,122,017 B2	10/2006	Moutafis et al.	7,722,613 B2	5/2010	Sutterlin et al.
7,128,760 B2	10/2006	Michelson	7,728,868 B2	6/2010	Razzaque et al.
7,135,043 B2	11/2006	Nakahara et al.	7,730,563 B1	6/2010	Sklar et al.
7,182,782 B2	2/2007	Kirschman	7,734,327 B2	6/2010	Colquhoun
7,204,825 B2	4/2007	Cimino et al.	7,740,634 B2	6/2010	Orbay et al.
7,207,992 B2	4/2007	Ritland	7,740,661 B2	6/2010	Baratz et al.
7,211,112 B2	5/2007	Baynham et al.	7,744,555 B2	6/2010	DiMauro et al.
7,214,186 B2	5/2007	Ritland	7,744,637 B2	6/2010	Johnson et al.
7,223,292 B2	5/2007	Messerli et al.	7,744,973 B2	6/2010	Schoenle et al.
7,232,463 B2	6/2007	Falahee	7,749,231 B2	7/2010	Bonvallet et al.
7,238,203 B2	7/2007	Bagga et al.	7,749,253 B2	7/2010	Zucherman et al.
7,255,703 B2	8/2007	Mujwid et al.	7,749,269 B2	7/2010	Peterman et al.
7,267,691 B2	9/2007	Keller et al.	7,749,273 B2	7/2010	Cauthen et al.
7,273,498 B2	9/2007	Bianchi et al.	7,749,274 B2	7/2010	Razian
7,288,093 B2	10/2007	Michelson	7,749,276 B2	7/2010	Fitz
7,316,070 B2	1/2008	Green	7,749,279 B2	7/2010	Twomey et al.
7,329,283 B2	2/2008	Estes et al.	7,749,555 B2	7/2010	Zanella
7,337,538 B2	3/2008	Moutafis et al.	7,751,865 B2	7/2010	Jascob et al.
7,341,590 B2	3/2008	Ferree	7,753,911 B2	7/2010	Ray et al.
7,341,591 B2	3/2008	Grinberg	7,753,914 B2	7/2010	Ruhling et al.
7,357,284 B2	4/2008	Jauvin	7,753,938 B2	7/2010	Aschmann et al.
7,357,804 B2	4/2008	Binder, Jr. et al.	7,753,940 B2	7/2010	Veldman et al.
7,361,178 B2	4/2008	Hearn et al.	7,753,962 B2	7/2010	Melder
7,364,657 B2	4/2008	Mandrusov et al.	7,758,501 B2	7/2010	Frasier et al.
7,371,239 B2	5/2008	Dec et al.	7,758,616 B2	7/2010	LeHuec et al.
7,377,923 B2	5/2008	Purcell et al.	7,758,617 B2	7/2010	Iott et al.
7,387,643 B2	6/2008	Michelson	7,758,644 B2	7/2010	Trieu
7,399,041 B2	7/2008	Prentner et al.	7,758,648 B2	7/2010	Castleman et al.
D574,495 S	8/2008	Petersen	7,763,025 B2	7/2010	Assell et al.
7,406,775 B2	8/2008	Funk et al.	7,763,035 B2	7/2010	Melkent et al.
7,410,334 B2	8/2008	McGrew	7,763,055 B2	7/2010	Foley
7,410,478 B2	8/2008	Yang	7,763,078 B2	7/2010	Peterman et al.
7,413,065 B2	8/2008	Gauthier	7,763,080 B2	7/2010	Southworth
7,421,772 B2	9/2008	Gao et al.	D621,509 S	8/2010	Lovell
7,429,270 B2	9/2008	Baumgartner et al.	D622,395 S	8/2010	Iott et al.
7,430,945 B2	10/2008	Gauthier et al.	D622,843 S	8/2010	Horton
7,431,711 B2	10/2008	Moutafis et al.	D622,851 S	8/2010	Horton
7,442,208 B2	10/2008	Mathieu et al.	7,766,914 B2	8/2010	McCormack et al.
7,455,157 B2	11/2008	Kimes et al.	7,766,918 B2	8/2010	Allard et al.
7,461,803 B2	12/2008	Boerner	7,766,930 B2	8/2010	DiPoto et al.
7,473,255 B2	1/2009	McGarity et al.	7,766,940 B2	8/2010	Kwak et al.
7,476,226 B2	1/2009	Weikel et al.	7,766,967 B2	8/2010	Francis
7,478,577 B1	1/2009	Wheeler	7,766,969 B2	8/2010	Justin et al.
7,481,766 B2	1/2009	Lee et al.	7,769,422 B2	8/2010	DiSilvestro et al.
7,481,813 B1	1/2009	Purcell	7,771,143 B2	8/2010	Bharadwaj et al.
7,485,145 B2	2/2009	Purcell	7,771,475 B2	8/2010	Michelson
D589,626 S	3/2009	Petersen	7,771,476 B2	8/2010	Justis et al.
7,501,073 B2	3/2009	Wen et al.	7,771,479 B2	8/2010	Humphreys et al.
7,503,933 B2	3/2009	Michelson	7,776,040 B2	8/2010	Markworth et al.
7,503,934 B2	3/2009	Eisermann et al.	7,776,046 B2	8/2010	Boyd et al.
7,503,936 B2	3/2009	Trieu	7,776,047 B2	8/2010	Fanger et al.
D590,943 S	4/2009	Petersen	7,776,049 B1	8/2010	Curran et al.
D593,202 S	5/2009	Petersen	7,776,075 B2	8/2010	Bruneau et al.
7,531,003 B2	5/2009	Reindel	7,776,090 B2	8/2010	Winslow et al.
7,534,265 B1	5/2009	Boyd	7,776,091 B2	8/2010	Mastrorio et al.
7,534,270 B2	5/2009	Ball	7,776,094 B2	8/2010	McKinley et al.
7,553,320 B2	6/2009	Molz, IV et al.	7,776,095 B2	8/2010	Peterman et al.
7,578,820 B2	8/2009	Moore et al.	7,776,594 B2	8/2010	Bays et al.
7,582,058 B1	9/2009	Miles et al.	7,780,707 B2	8/2010	Johnson et al.
7,582,107 B2	9/2009	Trail et al.	7,794,396 B2	9/2010	Gattani et al.
7,595,043 B2	9/2009	Hedrick et al.	7,794,501 B2	9/2010	Edie et al.
D603,502 S	11/2009	Petersen	7,799,034 B2	9/2010	Johnson et al.
7,618,423 B1	11/2009	Valentine et al.	7,799,036 B2	9/2010	Davison et al.
7,625,374 B2	12/2009	Branch et al.	7,799,053 B2	9/2010	Haid et al.
			7,799,054 B2	9/2010	Kwak et al.
			7,799,055 B2	9/2010	Lim
			7,799,056 B2	9/2010	Sankaran
			7,799,076 B2	9/2010	Sybert et al.

(56)

References Cited

U.S. PATENT DOCUMENTS

7,799,078	B2	9/2010	Embry et al.	2006/0264808	A1	11/2006	Staid et al.
7,799,083	B2	9/2010	Smith et al.	2006/0264964	A1	11/2006	Scifert et al.
7,806,901	B2	10/2010	Stad et al.	2007/0003598	A1	1/2007	Trieu
7,811,327	B2	10/2010	Hansell et al.	2007/0043442	A1	2/2007	Abernathie
7,811,329	B2	10/2010	Ankney et al.	2007/0067034	A1	3/2007	Chirico et al.
7,815,681	B2	10/2010	Ferguson	2007/0073110	A1	3/2007	Larson et al.
7,819,801	B2	10/2010	Miles et al.	2007/0073294	A1	3/2007	Chin et al.
D627,460	S	11/2010	Horton	2007/0088007	A1	4/2007	Ng
7,824,328	B2	11/2010	Gattani et al.	2007/0093850	A1	4/2007	Harris et al.
7,824,332	B2	11/2010	Fakhrai	2007/0172790	A1	7/2007	Doucette, Jr. et al.
7,824,410	B2	11/2010	Simonson	2007/0185496	A1	8/2007	Beckman et al.
7,828,804	B2	11/2010	Li et al.	2007/0208423	A1	9/2007	Messerli et al.
7,828,845	B2	11/2010	Estes et al.	2007/0213596	A1	9/2007	Hamada
7,828,849	B2	11/2010	Lim	2007/0213717	A1	9/2007	Trieu
7,837,713	B2	11/2010	Petersen	2007/0213718	A1	9/2007	Trieu
7,837,732	B2	11/2010	Zucherman et al.	2007/0213822	A1	9/2007	Trieu
D628,694	S *	12/2010	Donnez D24/141	2007/0213826	A1	9/2007	Smith et al.
D629,896	S	12/2010	Horton	2007/0242869	A1	10/2007	Luo et al.
7,846,210	B2	12/2010	Perez-Cruet et al.	2007/0250166	A1	10/2007	McKay
7,850,733	B2	12/2010	Baynham et al.	2007/0270951	A1	11/2007	Davis et al.
7,850,735	B2	12/2010	Eisermann et al.	2007/0276406	A1	11/2007	Mahoney et al.
7,850,736	B2	12/2010	Heinz et al.	2007/0288007	A1	12/2007	Burkus et al.
D631,156	S *	1/2011	Halder et al. D24/133	2007/0293948	A1	12/2007	Bagga et al.
7,867,277	B1	1/2011	Tohmeh	2008/0003255	A1	1/2008	Kerr et al.
7,905,840	B2	3/2011	Pimenta et al.	2008/0009929	A1	1/2008	Harris et al.
7,918,891	B1	4/2011	Curran et al.	2008/0033440	A1	2/2008	Moskowitz et al.
7,927,361	B2	4/2011	Oliver et al.	2008/0058606	A1	3/2008	Miles et al.
D637,721	S	5/2011	Horton	2008/0147191	A1	6/2008	Lopez et al.
7,935,124	B2	5/2011	Frey et al.	2008/0154375	A1	6/2008	Serhan et al.
7,938,857	B2	5/2011	Garcia-Bengochea et al.	2008/0154377	A1	6/2008	Voellmicke
7,951,107	B2	5/2011	Staid et al.	2008/0195058	A1	8/2008	Moutafis et al.
D641,872	S *	7/2011	Solingen et al. D24/143	2008/0249569	A1	10/2008	Waugh et al.
D641,873	S *	7/2011	Solingen et al. D24/143	2008/0255564	A1	10/2008	Michelson
D641,874	S *	7/2011	Solingen et al. D24/143	2008/0269904	A1	10/2008	Voorhies
D642,268	S	7/2011	Qureshi	2008/0288071	A1	11/2008	Biyani et al.
7,985,256	B2	7/2011	Grotz et al.	2009/0043312	A1	2/2009	Koulisis
8,088,163	B1	1/2012	Kleiner	2009/0076440	A1	3/2009	Moutafis et al.
D655,414	S *	3/2012	Cuschieri et al. D24/133	2009/0076556	A1	3/2009	McGarity et al.
D656,610	S	3/2012	Kleiner	2009/0088765	A1	4/2009	Butler et al.
D667,542	S	9/2012	Kleiner	2009/0098184	A1	4/2009	Govil et al.
8,277,510	B2	10/2012	Kleiner	2009/0105718	A1	4/2009	Zhang et al.
8,292,960	B2	10/2012	Kleiner	2009/0124860	A1	5/2009	Miles et al.
2002/0049448	A1	4/2002	Sand et al.	2009/0124980	A1	5/2009	Chen
2003/0083748	A1	5/2003	Lee et al.	2009/0125066	A1	5/2009	Krau et al.
2003/0149482	A1	8/2003	Michelson	2009/0187194	A1	7/2009	Hamada
2004/0024466	A1	2/2004	Heerklotz et al.	2009/0192350	A1	7/2009	Mejia
2004/0087956	A1	5/2004	Weikel et al.	2009/0192403	A1	7/2009	Gharib et al.
2004/0133217	A1	7/2004	Watschke	2009/0198245	A1	8/2009	Phan
2004/0143330	A1	7/2004	Sazy	2009/0198249	A1	8/2009	Ziegler
2004/0153158	A1	8/2004	Errico et al.	2009/0198337	A1	8/2009	Phan
2004/0167532	A1	8/2004	Olson, Jr. et al.	2009/0198338	A1	8/2009	Phan
2004/0176853	A1	9/2004	Sennett et al.	2009/0198339	A1	8/2009	Kleiner et al.
2004/0215201	A1	10/2004	Lieberman	2009/0203967	A1	8/2009	Branch et al.
2004/0230211	A1	11/2004	Moutafis et al.	2009/0204148	A1	8/2009	Lenke
2005/0124993	A1	6/2005	Chappuis	2009/0204159	A1	8/2009	Justis et al.
2005/0124994	A1	6/2005	Berger et al.	2009/0204220	A1	8/2009	Trieu
2005/0149035	A1	7/2005	Pimenta et al.	2009/0222011	A1	9/2009	Lehuc et al.
2005/0149192	A1	7/2005	Zucherman et al.	2009/0228107	A1	9/2009	Michelson
2005/0159765	A1	7/2005	Moutafis et al.	2009/0248163	A1	10/2009	King et al.
2005/0165405	A1	7/2005	Tsou	2009/0259108	A1	10/2009	Miles et al.
2005/0216002	A1	9/2005	Simonson	2009/0264892	A1	10/2009	Beyar et al.
2005/0216018	A1	9/2005	Sennett	2009/0275995	A1	11/2009	Truckai
2005/0251257	A1	11/2005	Mitchell et al.	2009/0299477	A1	12/2009	Clayton et al.
2005/0283150	A1	12/2005	Moutafis et al.	2009/0306692	A1	12/2009	Barrington et al.
2006/0004167	A1	1/2006	Tau et al.	2010/0010367	A1	1/2010	Foley et al.
2006/0004367	A1	1/2006	Alamin et al.	2010/0010524	A1	1/2010	Barrington et al.
2006/0100304	A1	5/2006	Vresilovic et al.	2010/0016903	A1	1/2010	Matityahu et al.
2006/0111779	A1	5/2006	Petersen	2010/0016972	A1	1/2010	Jansen et al.
2006/0111780	A1	5/2006	Petersen	2010/0016973	A1	1/2010	de Villiers et al.
2006/0122597	A1	6/2006	Jones et al.	2010/0030065	A1	2/2010	Farr et al.
2006/0155170	A1	7/2006	Hanson et al.	2010/0036226	A9	2/2010	Marino et al.
2006/0167461	A1	7/2006	Hawkins et al.	2010/0036442	A1	2/2010	Laurysen et al.
2006/0190081	A1	8/2006	Kraus	2010/0042221	A1	2/2010	Boyd
2006/0229550	A1	10/2006	Staid et al.	2010/0057208	A1	3/2010	Dryer
2006/0247650	A1	11/2006	Yerby et al.	2010/0063516	A1	3/2010	Parmer et al.
				2010/0063554	A1	3/2010	Branch et al.
				2010/0076335	A1	3/2010	Gharib et al.
				2010/0076445	A1	3/2010	Pagano
				2010/0076446	A1	3/2010	Gorek

(56)

References Cited

U.S. PATENT DOCUMENTS

2010/0082036 A1 4/2010 Reiley et al.
 2010/0087828 A1 4/2010 Krueger et al.
 2010/0087875 A1 4/2010 McGahan et al.
 2010/0100141 A1 4/2010 de Villiers et al.
 2010/0105986 A1 4/2010 Miles et al.
 2010/0105987 A1 4/2010 Miles et al.
 2010/0121365 A1 5/2010 O'Sullivan et al.
 2010/0121453 A1 5/2010 Peterman
 2010/0125333 A1 5/2010 Zdeblick et al.
 2010/0125338 A1 5/2010 Fitz
 2010/0131020 A1 5/2010 Heinz et al.
 2010/0137690 A1 6/2010 Miles et al.
 2010/0137923 A1 6/2010 Greenhalgh et al.
 2010/0145390 A1 6/2010 McCarthy et al.
 2010/0145391 A1 6/2010 Kleiner
 2010/0145452 A1 6/2010 Blaylock et al.
 2010/0145461 A1 6/2010 Landry et al.
 2010/0160923 A1 6/2010 Sand et al.
 2010/0160982 A1 6/2010 Justis et al.
 2010/0161062 A1 6/2010 Foley et al.
 2010/0161074 A1 6/2010 McKay
 2010/0168755 A1 7/2010 Reiley et al.
 2010/0168862 A1 7/2010 Edie et al.
 2010/0174326 A1 7/2010 Selover et al.
 2010/0185286 A1 7/2010 Allard
 2010/0185287 A1 7/2010 Allard
 2010/0185288 A1 7/2010 Carls
 2010/0191334 A1 7/2010 Keller
 2010/0191337 A1 7/2010 Zamani et al.
 2010/0198140 A1 8/2010 Lawson
 2010/0199483 A1 8/2010 Justis et al.
 2010/0204798 A1 8/2010 Gerbec et al.
 2010/0217398 A1 8/2010 Keller
 2010/0222784 A1 9/2010 Schwab et al.
 2010/0222824 A1 9/2010 Simonson
 2010/0228294 A1 9/2010 LeHuec et al.
 2010/0228351 A1 9/2010 Ankney et al.
 2010/0234848 A1 9/2010 Sutterlin et al.
 2010/0234957 A1 9/2010 Zdeblick et al.
 2010/0249934 A1 9/2010 Melkent
 2010/0256767 A1 10/2010 Melkent
 2010/0256768 A1 10/2010 Lim et al.
 2010/0262241 A1 10/2010 Eisermann et al.
 2010/0262245 A1 10/2010 Alfaro et al.
 2010/0280622 A1 11/2010 McKinley
 2010/0286778 A1 11/2010 Eisermann et al.
 2010/0286784 A1 11/2010 Curran et al.
 2010/0298938 A1 11/2010 Humphreys et al.
 2010/0312103 A1 12/2010 Gorek et al.
 2010/0312290 A1 12/2010 McKinley et al.
 2010/0312347 A1 12/2010 Arramon et al.
 2011/0015748 A1 1/2011 Molz, IV
 2011/0071536 A1 3/2011 Kleiner
 2011/0093005 A1 4/2011 Strokosz et al.
 2011/0144755 A1 6/2011 Baynham et al.
 2011/0230970 A1 9/2011 Lynn et al.
 2012/0022651 A1 1/2012 Akyuz et al.
 2012/0035668 A1 2/2012 Manninen et al.
 2012/0136442 A1 5/2012 Kleiner
 2013/0096684 A1 4/2013 Kleiner

OTHER PUBLICATIONS

Stahler, R., "Spine Surgery for a Cervical Herniated Disc," published on Spine-Health, Jun. 12, 2002, available at www.spine-health.com/conditions/herniated-disc/spine-surgery-a-cervical-herniated-disc, 2 pages.

Stahler, R., "Summary of Cervical Herniated Disc Treatment Options," published on Spine-Health, Jun. 12, 2002, available at www.spine-health.com/conditions/herniated-disc/summary-cervical-herniated-disc-treatment-options, 1 page.
 Ullrich, P.F., "Anterior Cervical Spinal Fusion Surgery," published on Spine-Health, Oct. 7, 2005, available at www.spine-health.com/treatment/back-surgery/anterior-cervical-spinal-fusion-surgery, 2 pages.
 Ullrich, P.F., "Cervical Spinal Instrumentation," published on Spine-Health, Oct. 7, 2005, available at www.spine-health.com/treatment/back-surgery/cervical-spinal-instrumentation, 2 pages.
 Wascher, T.M., "Anterior cervical decompression and spine fusion procedure," published on Spine-Health, Aug. 29, 2001, available at www.spine-health.com/treatment/spinal-fusion/anterior-cervical-decompression-and-spine-fusion-procedure, 2 pages.
 "BAK® /Proximity™ (BP®) Cage", Zimmer Website, as early as Oct. 23, 2007, available at <http://www.zimmer.com/z/ctl/op/global/action/1/id/7930/template/MP/prcat/M6/prod/y>, printed on Jun. 8, 2009, 1 page.
 "BAK® Vista® Radiolucent Interbody Fusion System", Zimmer Website, as early as Oct. 25, 2005, available at <http://www.zimmer.com/z/ctl/op/global/action/1/id/7809/template/MP/prcat/M6/prod/y>, printed on Jun. 8, 2009, pp. 1-2.
 "Facet Joint Syndrome," The Cleveland Clinic Foundation, copyright 1995-2008, printed Nov. 19, 2008, available at http://my.clevelandclinic.org/disorders/facet_joint_syndrome/hic_facet_joint_syndrome.aspx, 2 pages.
 "Screws, Cages or Both", Spine Universe Website, as early as Aug. 18, 2002, available at <http://www.spineuniverse.com/displayarticle.php/article1363.html>, printed on Jun. 8, 2009, pp. 1-13.
 "University of Maryland Spine Program: A Patient's Guide to Anterior Lumbar Interbody Fusion with Intervertebral Cages", University of Maryland Medical Center website, as early as 2003, available at http://www.umm.edu/spinecenter/education/anterior_lumbar_interbody_fusion_with_intervertebral_cages.htm, printed on Jun. 8, 2009, pp. 1-4.
 "Vertebral column," from Wikipedia, the free encyclopedia, printed May 19, 2009, retrieved from http://en.wikipedia.org/wiki/Vertebral_column, 6 pages.
 "Zygapophysial joint," from Wikipedia, the free encyclopedia, printed May 19, 2009, retrieved from http://en.wikipedia.org/wiki/Zygapophysial_joint, 2 pages.
 International Search Report for International (PCT) Patent Application No. PCT/US2009/033488, mailed. Mar. 25, 2009, 2 pages.
 Written Opinion for International (PCT) Patent Application No. PCT/US2009/033488, mailed. Mar. 25, 2009, 9 pages.
 Official Action for U.S. Appl. No. 12/367,487, mailed Aug. 3, 2011 10 pages.
 Official Action for U.S. Patent Application No. 13/ Notice of Allowance for U.S. Appl. No. 13/473,366, mailed Sep. 4, 2012 473,366, mailed Jul. 18, 2012 8 pages.
 Notice of Allowance for U.S. Appl. No. 29/393,737, mailed Jan. 11, 2012 9 pages.
 Notice of Allowance for U.S. Appl. No. 29/415,847, mailed Jul. 17, 2012 10 pages.
 Notice of Allowance for U.S. Appl. No. 13/277,272, mailed Jun. 11, 2012 8 pages.
 Notice of Allowance for U.S. Appl. No. 13/473,366, mailed Sep. 4, 2012.
 Official Action for U.S. Appl. No. 13/632,956 mailed Mar. 29, 2013 9 pages.
 Official Action for U.S. Appl. No. 13/168,611 mailed Apr. 15, 2013 7 pages.

* cited by examiner

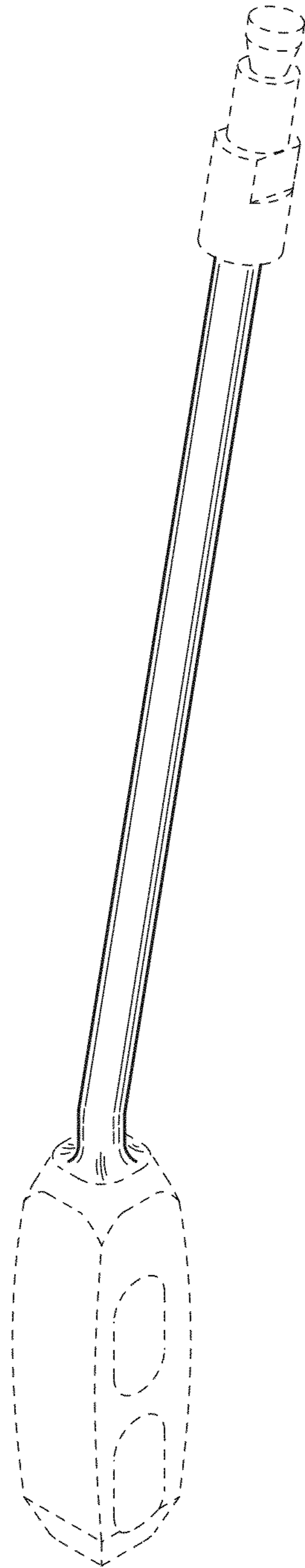


FIG. 1

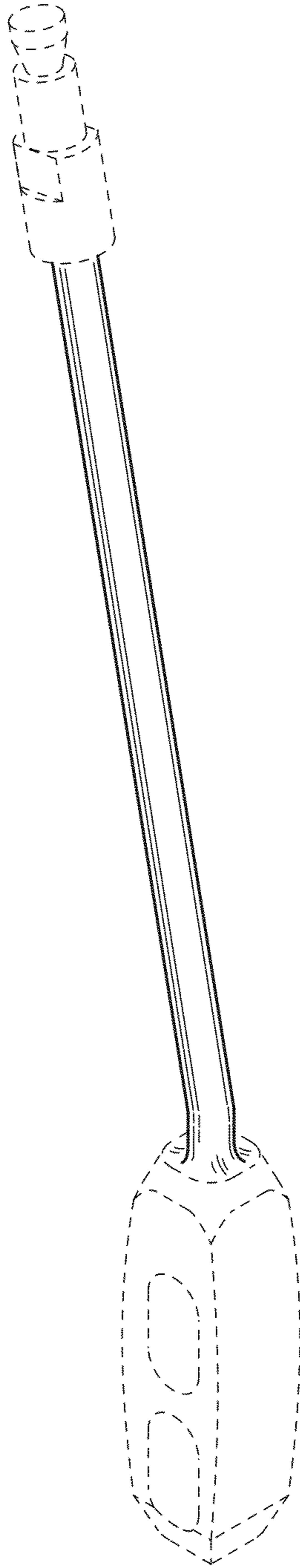


FIG.2

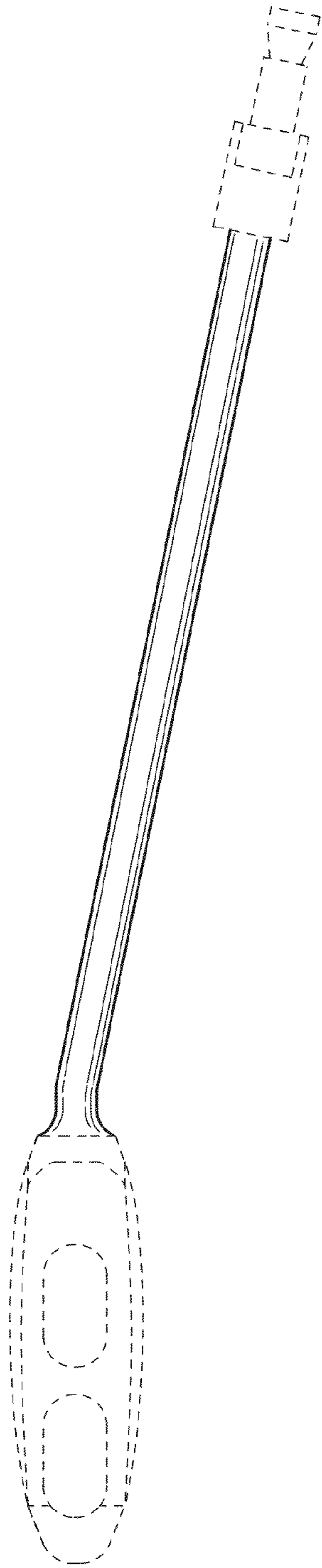


FIG.3

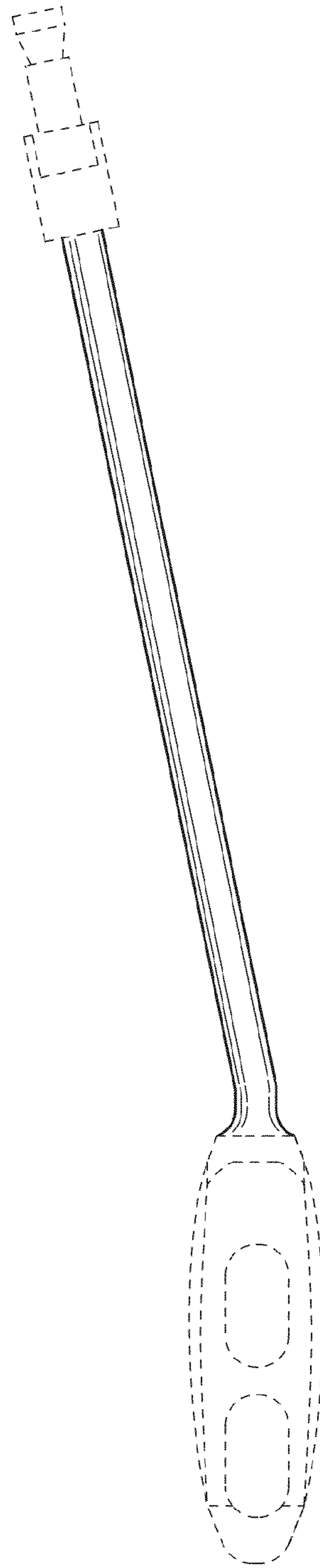


FIG.4

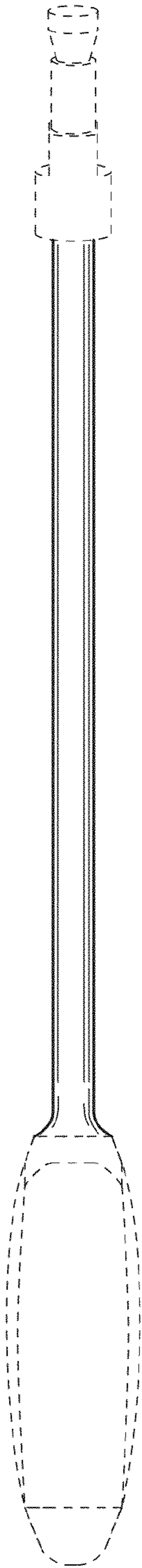


FIG.5

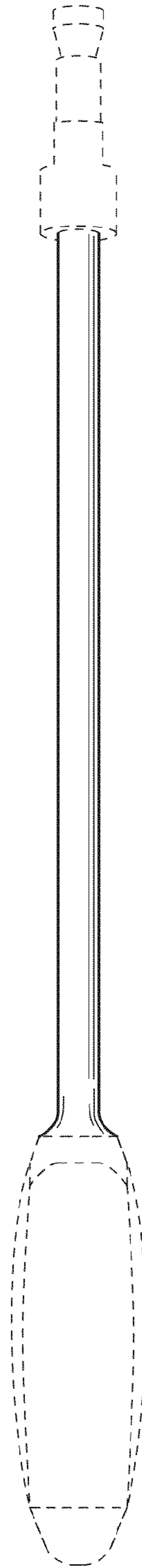


FIG.6

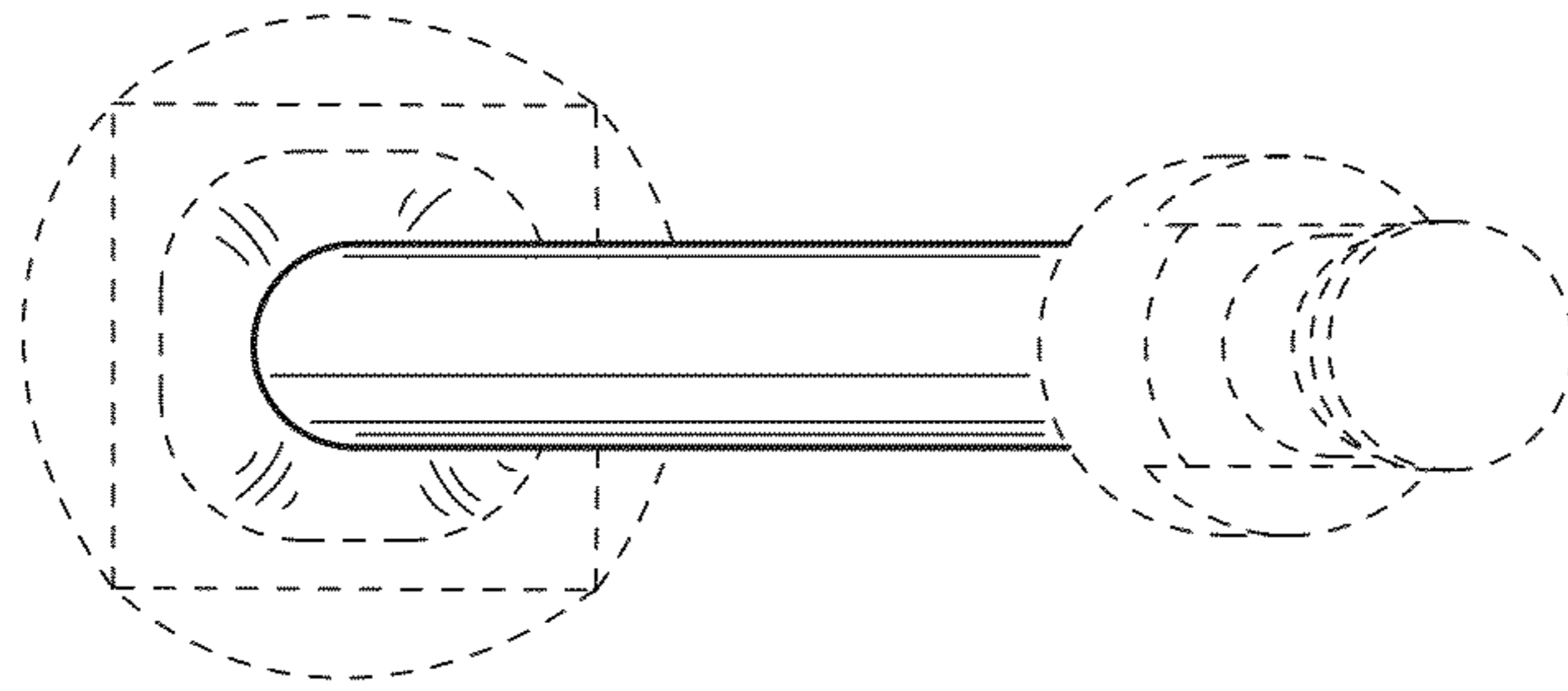


FIG.7

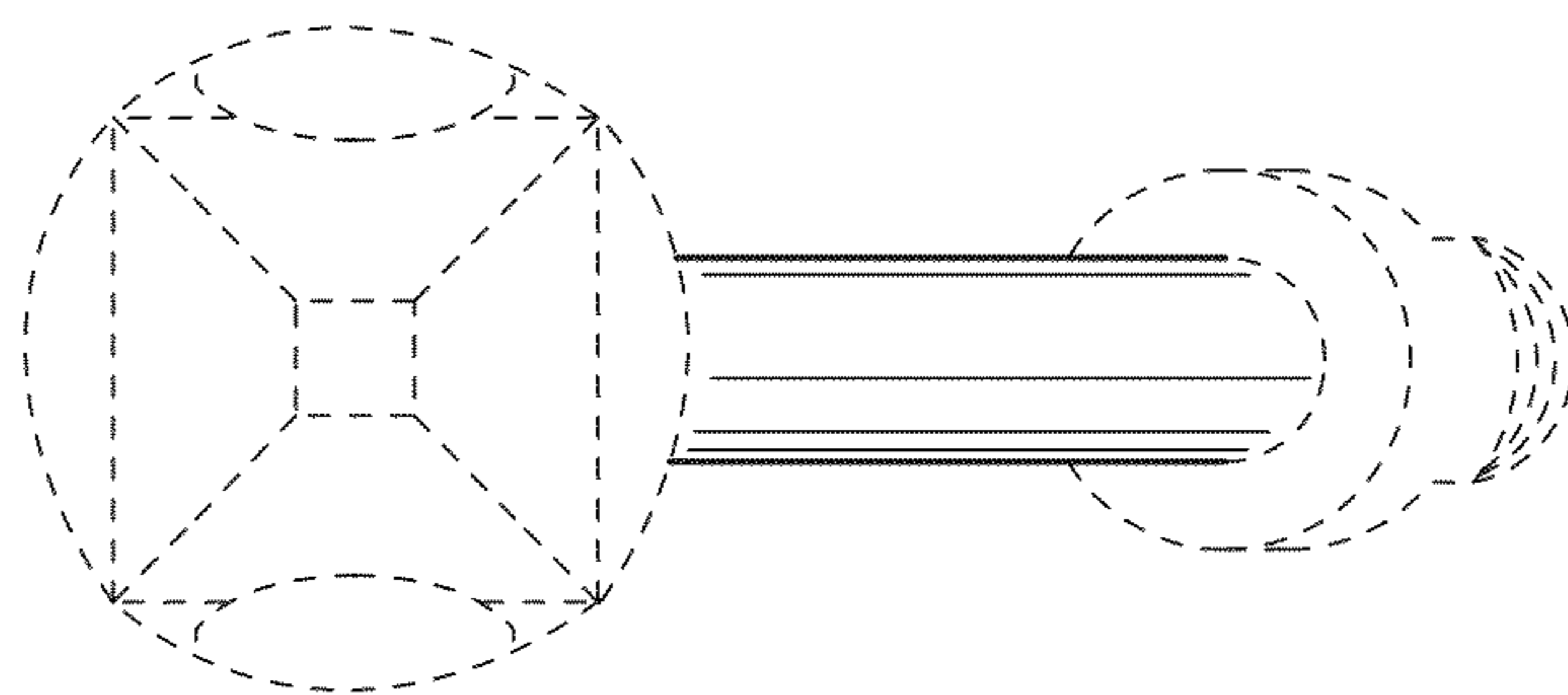


FIG.8