



US00D696396S

(12) **United States Design Patent**
Eves et al.

(10) **Patent No.:** **US D696,396 S**
(45) **Date of Patent:** **** Dec. 24, 2013**

(54) **CUSHION FOR RESPIRATORY MASK**
(71) Applicant: **ResMed Limited**, Bella Vista (AU)

2005/0028822 A1 2/2005 Sleeper et al.
(Continued)

(72) Inventors: **Matthew Eves**, Manly Vale (AU); **Adam Barlow**, Manly (AU); **Lochlan von Moger**, Ultimo (AU)

FOREIGN PATENT DOCUMENTS

EP 0998319 B1 11/2004
EP 1057494 B1 11/2004
WO WO 2008/011682 A1 1/2008
WO WO 2010/139014 A1 12/2010

(73) Assignee: **ResMed Limited**, Bella Vista (AU)

(**) Term: **14 Years**

OTHER PUBLICATIONS

(21) Appl. No.: **29/452,566**

Written Opinion of the International Searching Authority and International Search Report for PCT/AU2010/000684, mailed Sep. 15, 2010, 20 pages.
Australian Patent Examination Report No. 1 for AU 2010256351, issued Aug. 28, 2012, 5 pages.

(22) Filed: **Apr. 18, 2013**

(Continued)

Related U.S. Application Data

(62) Division of application No. 29/380,213, filed on Dec. 1, 2010, now Pat. No. Des. 683,446.

Primary Examiner — Ian Simmons

Assistant Examiner — Richelle Shelton

(51) **LOC (9) Cl.** **29-02**

(74) *Attorney, Agent, or Firm* — Nixon & Vanderhye P.C.

(52) **U.S. Cl.**
USPC **D24/110.4**

(57) **CLAIM**

(58) **Field of Classification Search**
USPC D24/110.1–110.4; 128/206.24, 206.25, 128/206.26, 207.11, 207.13
See application file for complete search history.

The ornamental design for a cushion for a respiratory mask, as shown and described.

DESCRIPTION

(56) **References Cited**

U.S. PATENT DOCUMENTS

5,429,683 A 7/1995 Mitouard
D397,215 S 8/1998 Hoftman
D431,077 S 9/2000 McGinnis et al.
D499,803 S 12/2004 Chang
D556,898 S 12/2007 Guney et al.
D557,408 S 12/2007 Amarasinghe et al.
D583,930 S * 12/2008 McAuley et al. D24/110.1
D585,981 S 2/2009 Moore et al.
7,523,754 B2 4/2009 Lithgow et al.
7,546,837 B2 6/2009 Busch et al.
2004/0221850 A1 11/2004 Ging et al.

FIG. 1 is a front perspective view of a cushion for a respiratory mask according to a first embodiment of our new ornamental design;

FIG. 2 is a front view thereof;

FIG. 3 is a rear view thereof;

FIG. 4 is a top view thereof;

FIG. 5 is a bottom view thereof;

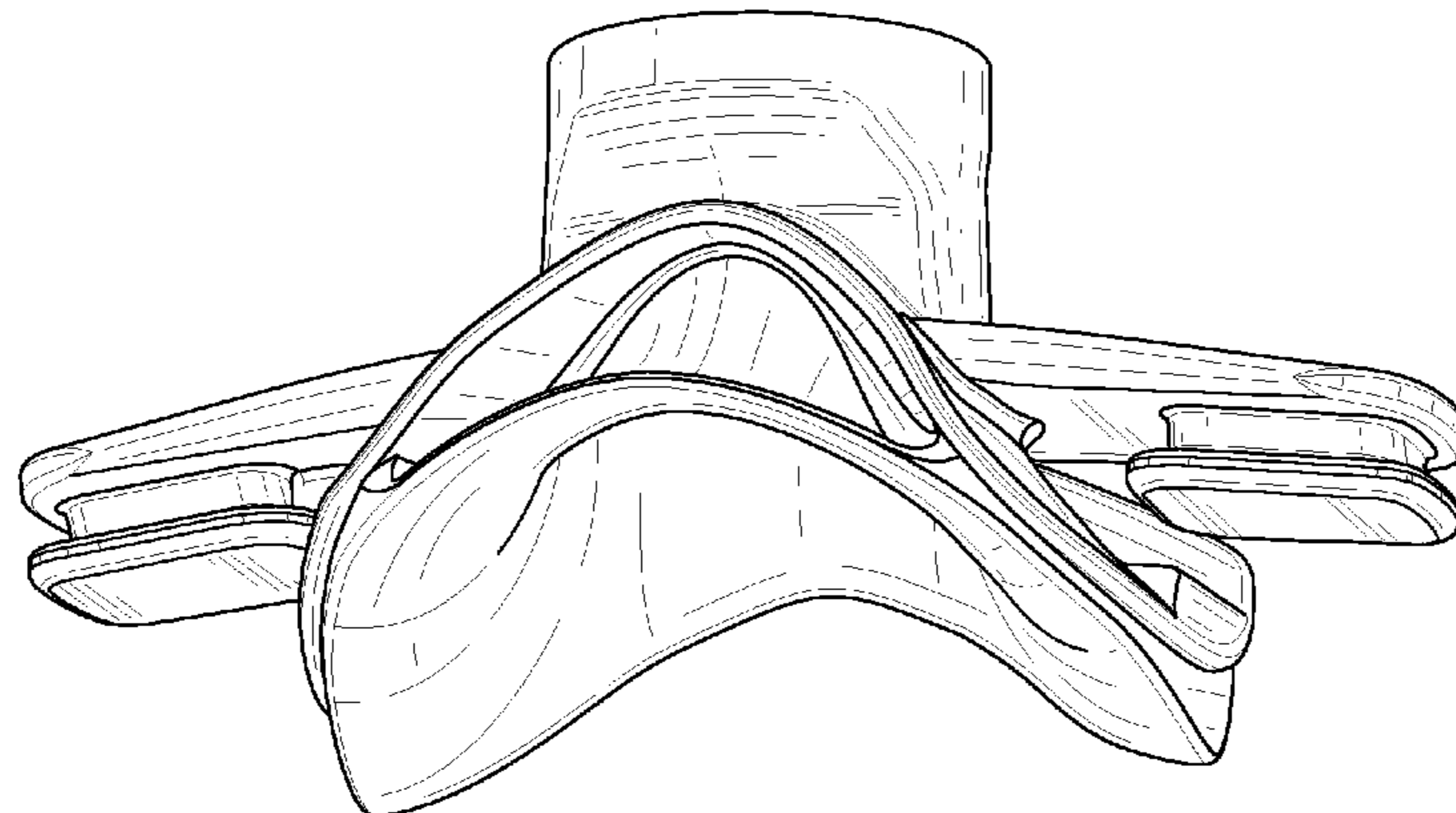
FIG. 6 is a right side view thereof, with the left side view thereof being a mirror image thereof;

FIG. 7 is a reverse perspective view thereof;

FIG. 8 is a cross-sectional view along line 8-8 of FIG. 2; and,

FIG. 9 is a cross sectional view along line 9-9 of FIG. 2.

1 Claim, 6 Drawing Sheets



(56)

References Cited

U.S. PATENT DOCUMENTS

2008/0047560 A1 2/2008 Veliss et al.
2008/0121235 A1 5/2008 Ging et al.
2009/0095301 A1 4/2009 Hitchcock et al.

OTHER PUBLICATIONS

New Zealand Examination Report for NZ 596486, issued Oct. 5, 2012, 2 pages.

Eves et al., Parent U.S. Appl. No. 29/380,213, filed Dec. 1, 2010.

* cited by examiner

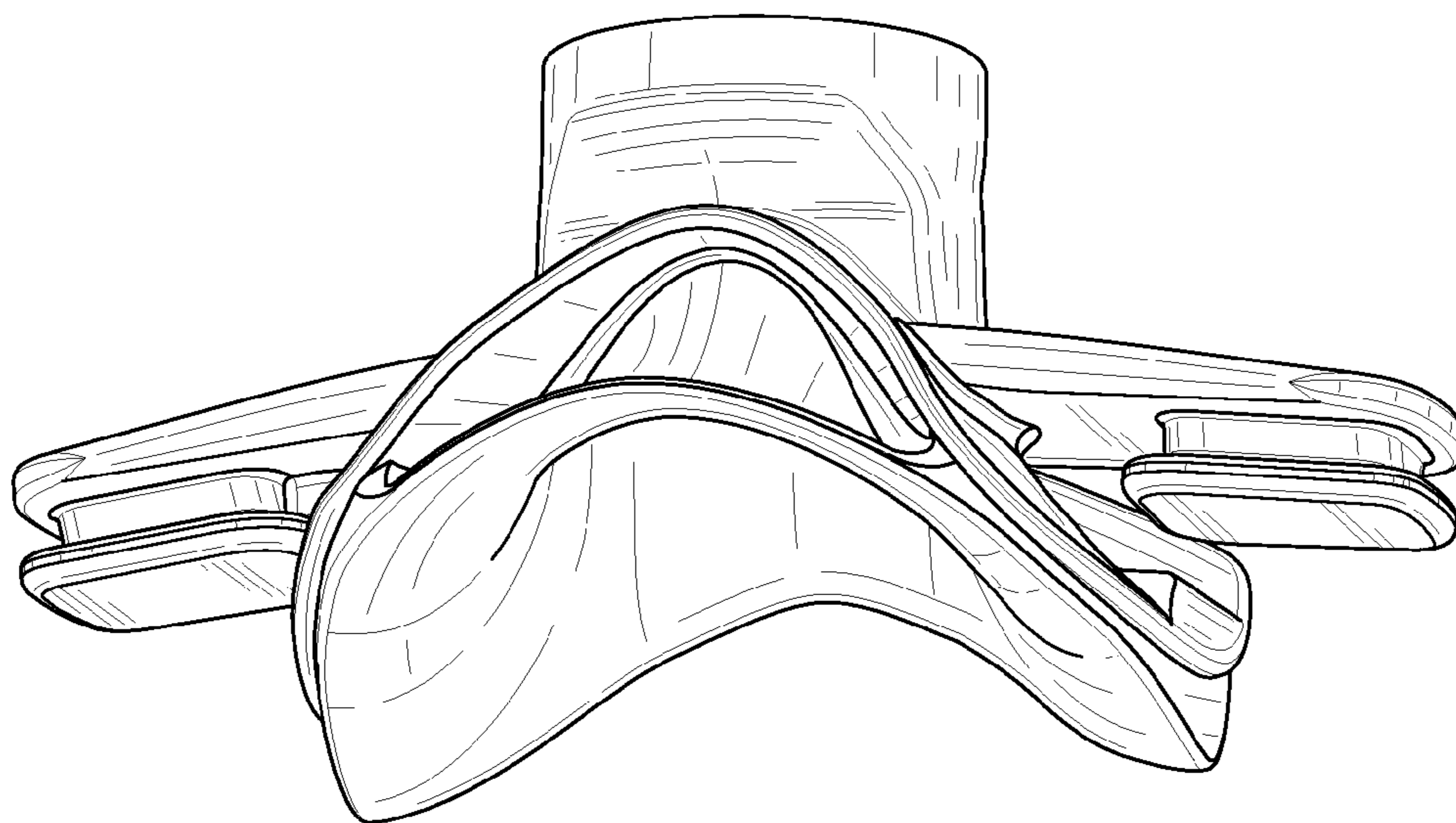


FIG. 1

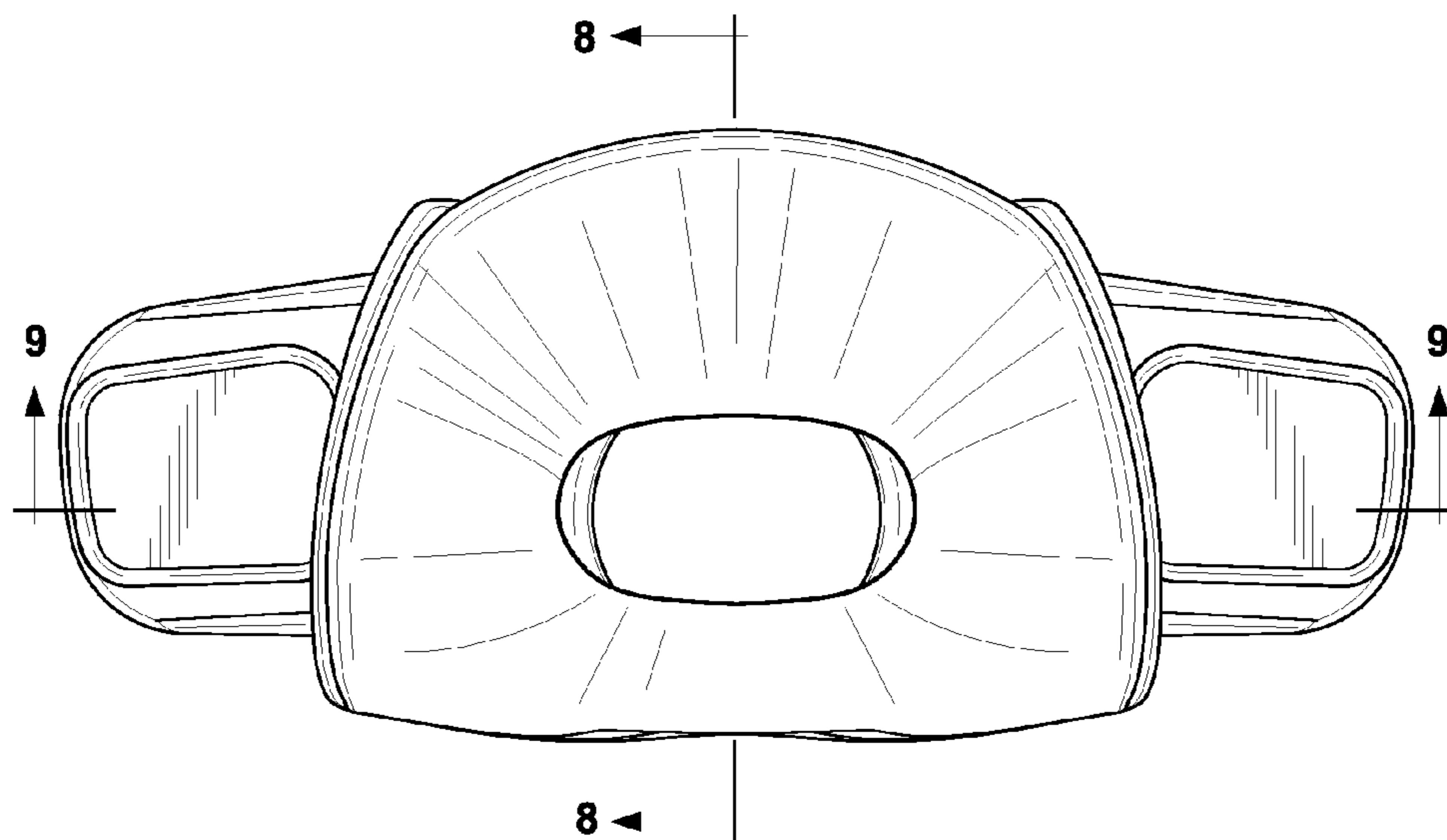


FIG. 2

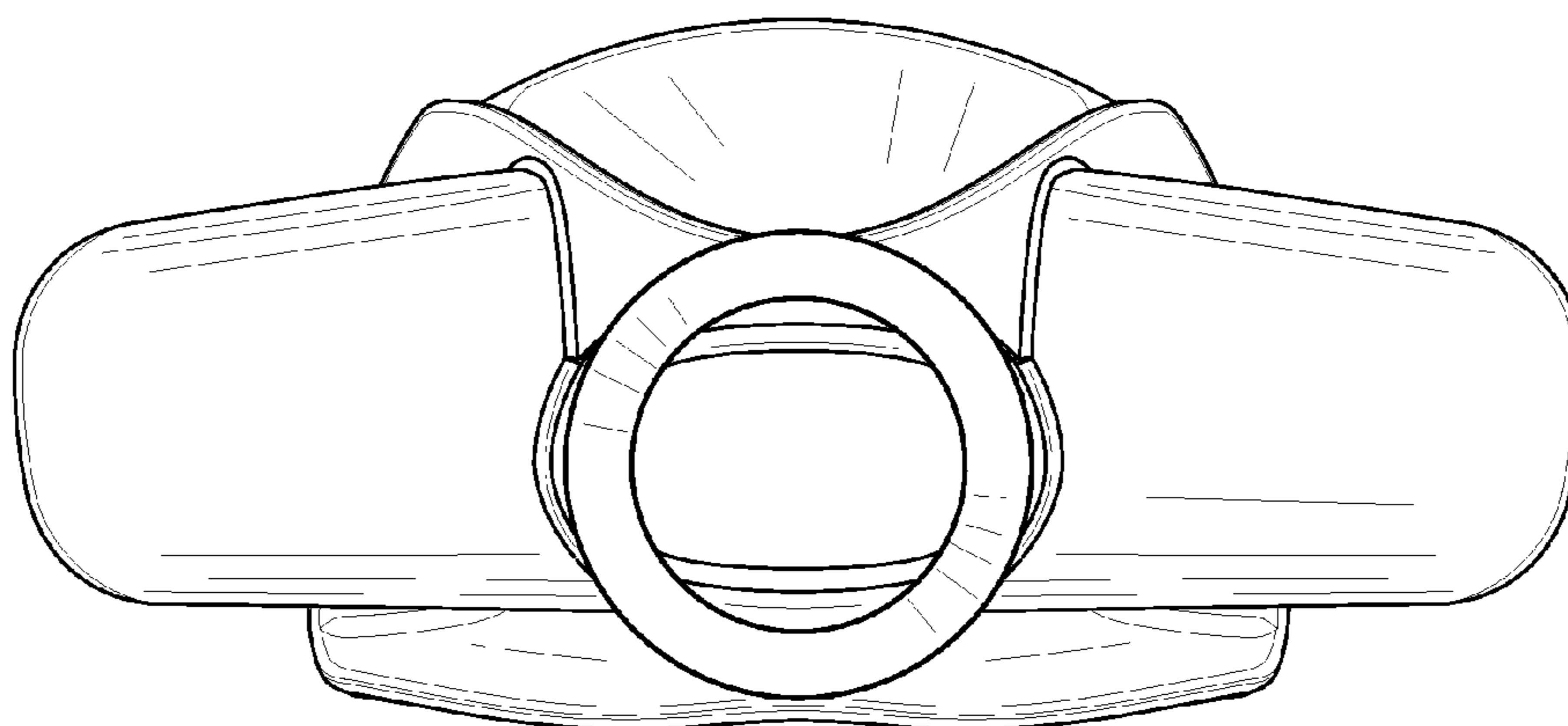


FIG. 3

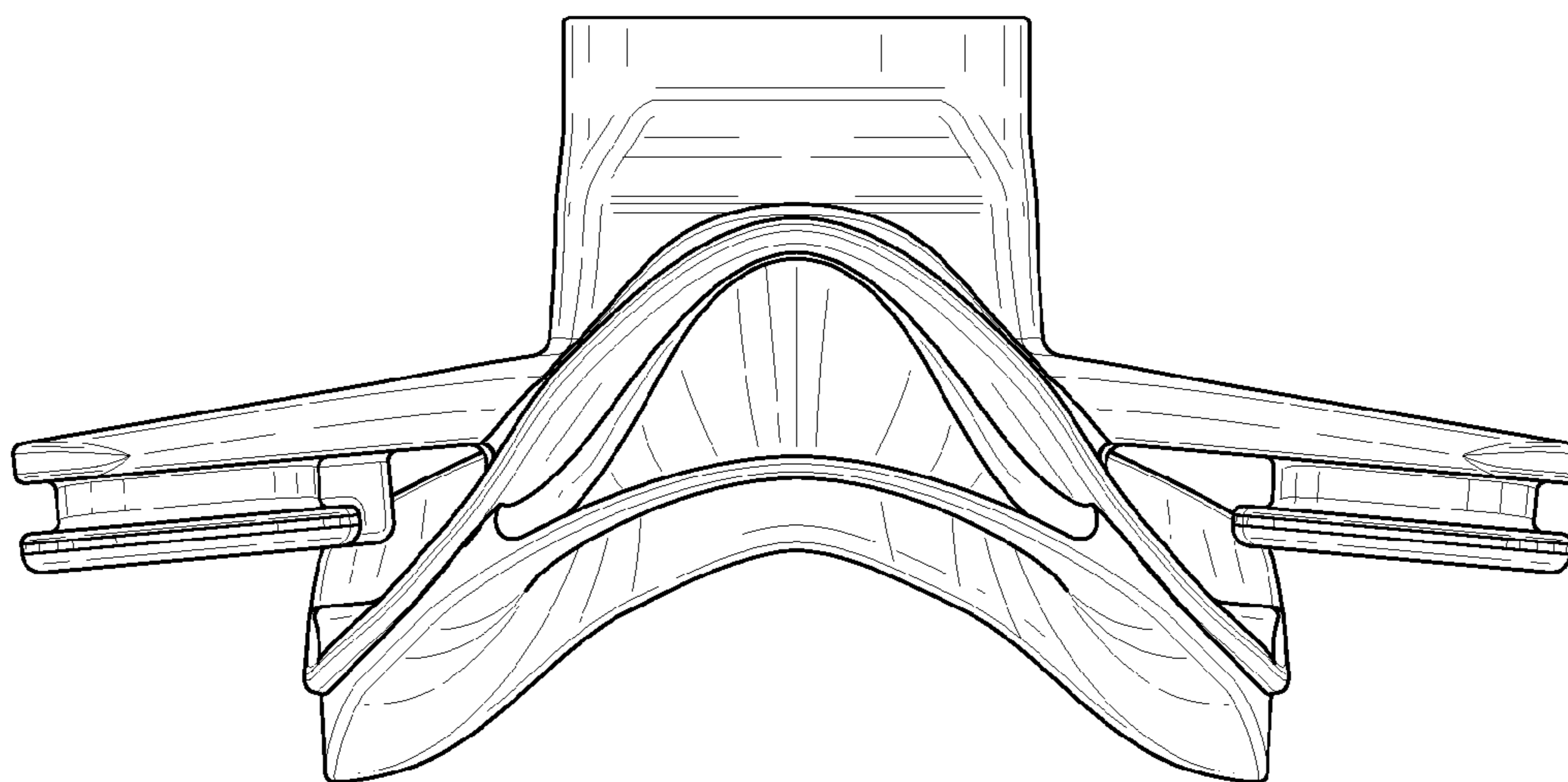


FIG. 4

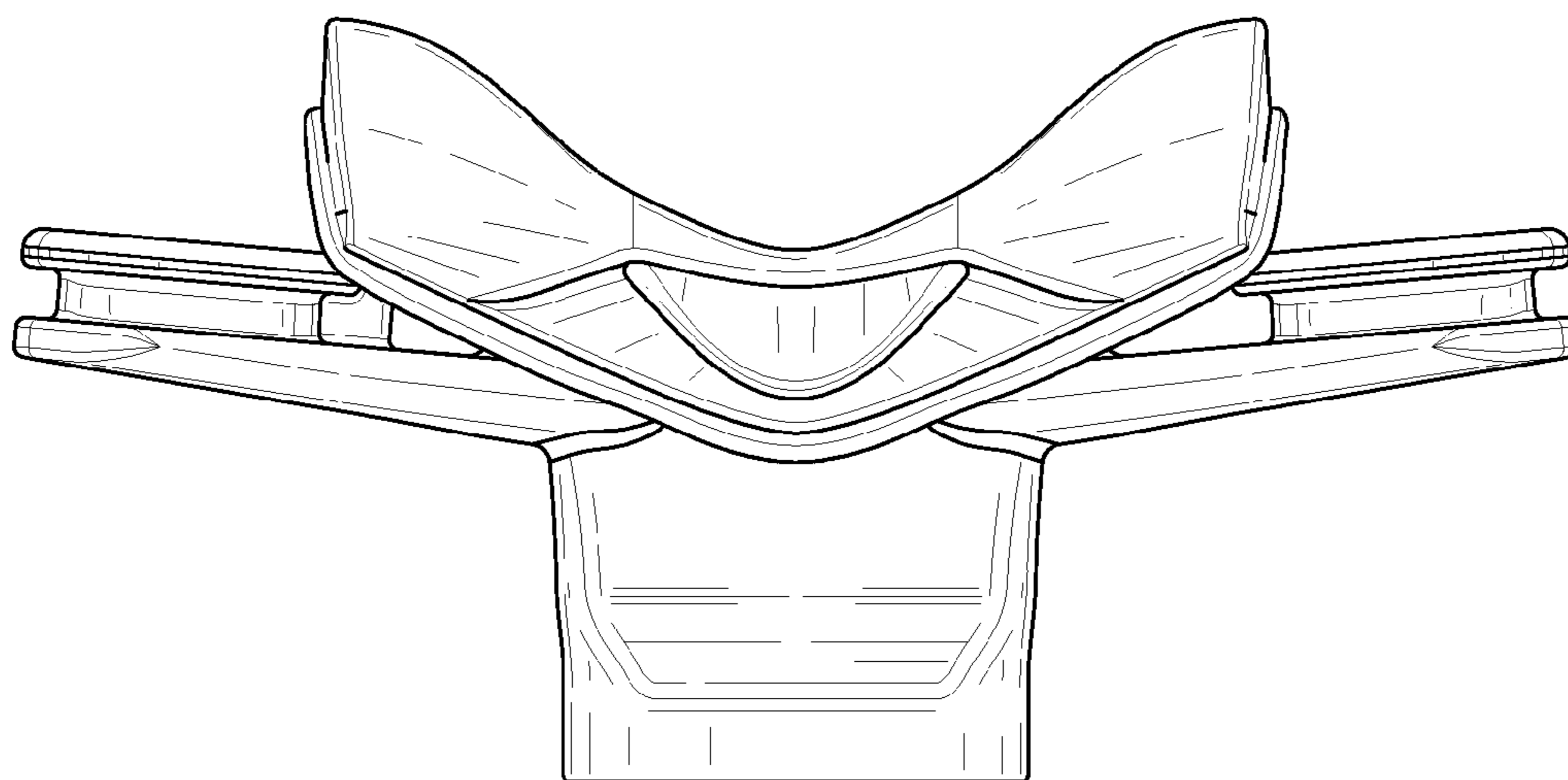


FIG. 5

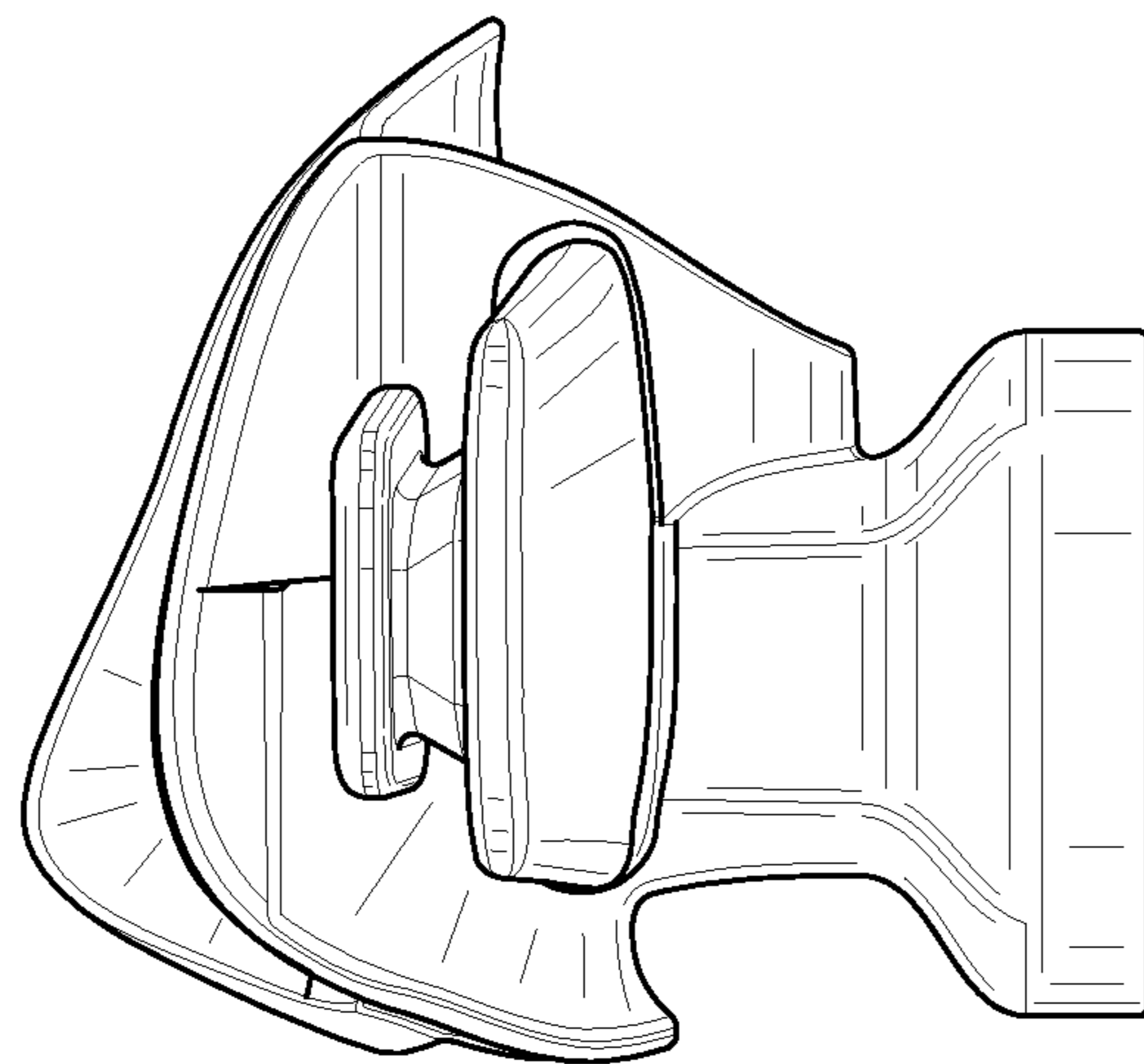


FIG. 6

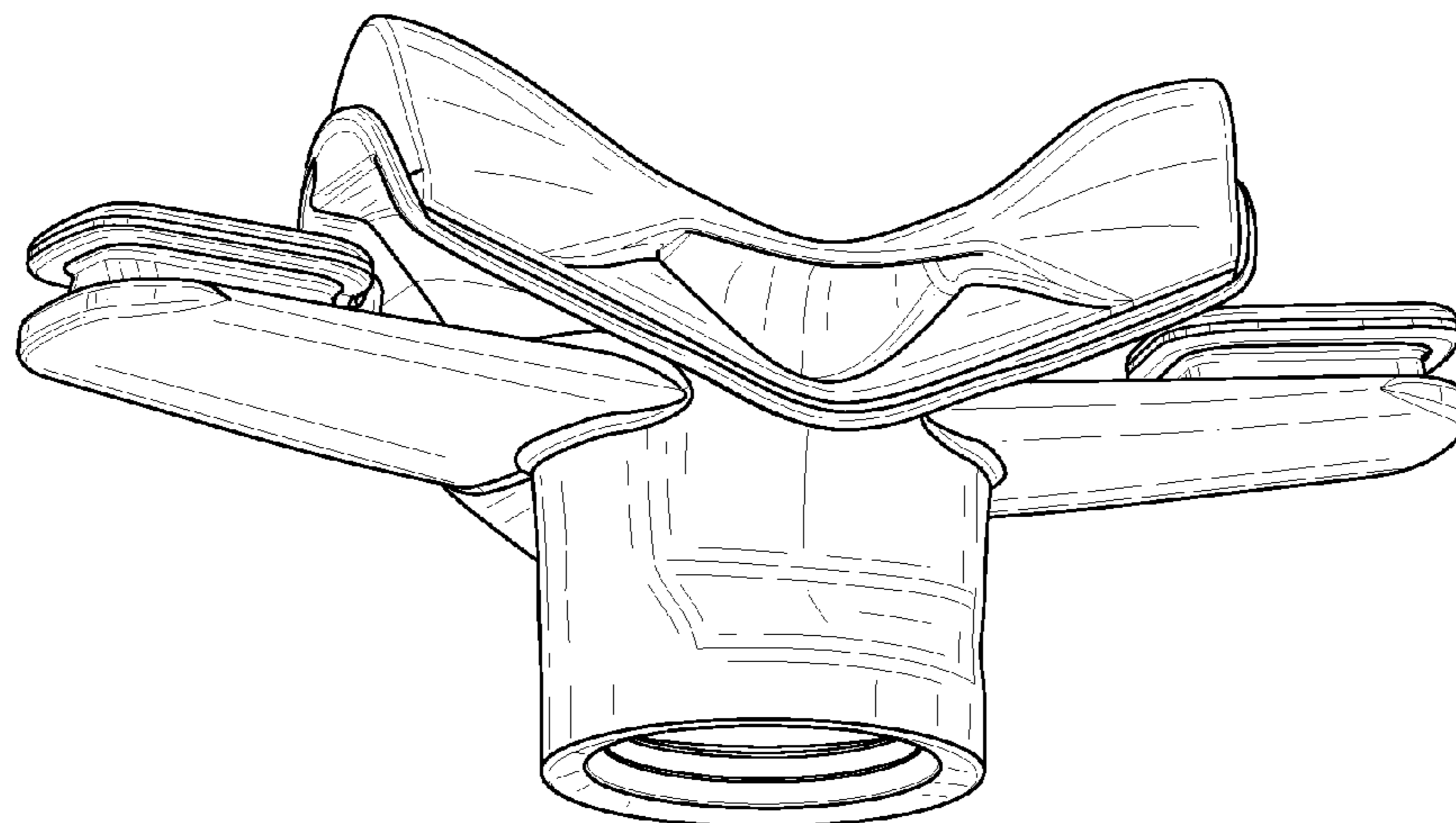


FIG. 7

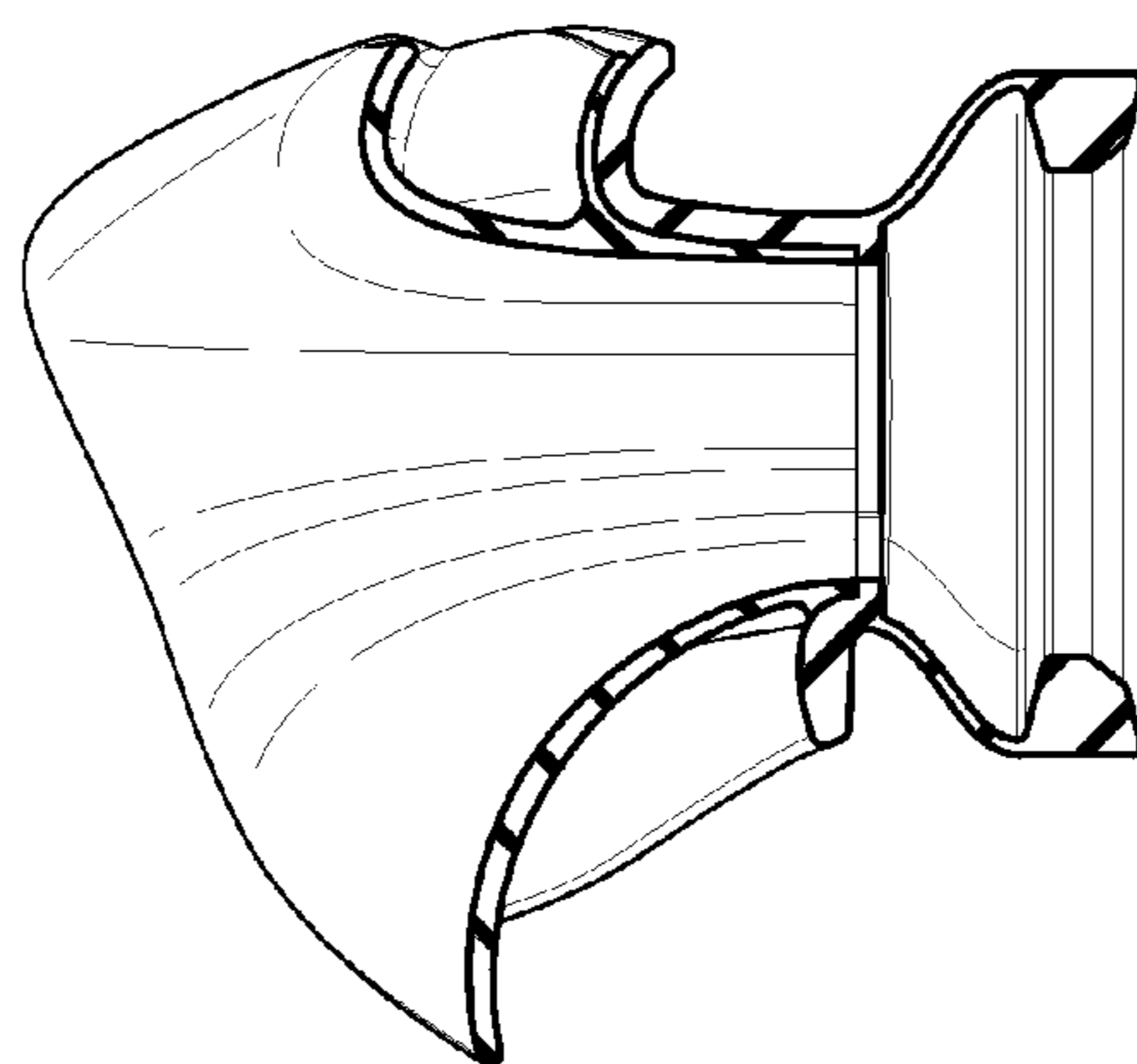


FIG. 8

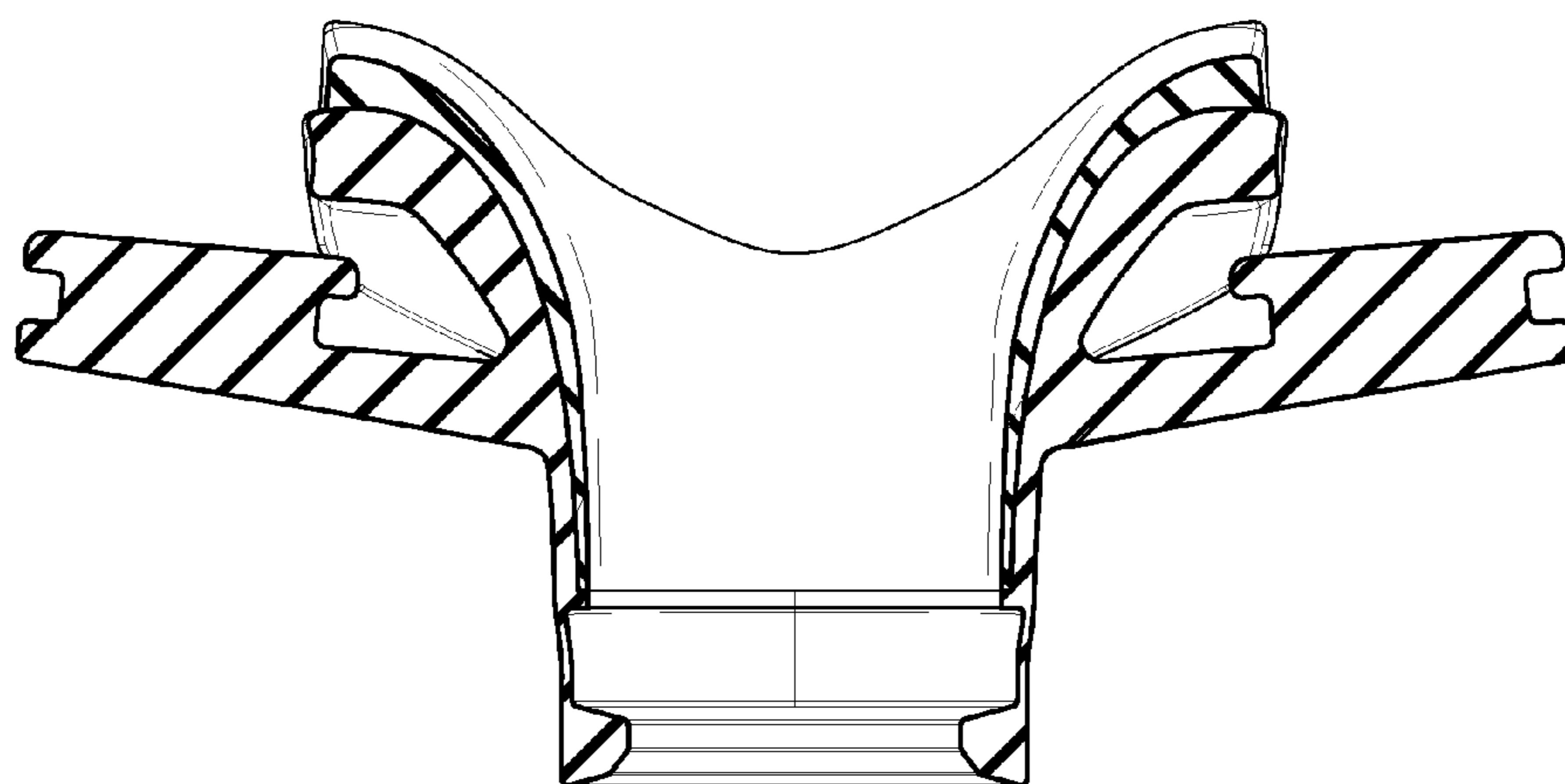


FIG. 9