



US00D696393S

(12) **United States Design Patent**  
**Lu**

(10) **Patent No.:** **US D696,393 S**  
(45) **Date of Patent:** **\*\* Dec. 24, 2013**

(54) **PORTABLE COMPRESSOR FOR MEDICAL DEVICES**

(75) Inventor: **Hsueh-yu Lu**, Taipei (TW)

(73) Assignee: **Trudell Medical International**, London, Ontario (CA)

(\*\*) Term: **14 Years**

(21) Appl. No.: **29/406,780**

(22) Filed: **Nov. 18, 2011**

(51) **LOC (9) Cl.** ..... **29-02**

(52) **U.S. Cl.**  
USPC ..... **D24/110**

(58) **Field of Classification Search**  
USPC ..... D24/107, 108, 110, 164; D15/9;  
128/200.14, 200.24

See application file for complete search history.

(56) **References Cited**

**U.S. PATENT DOCUMENTS**

D277,675 S	2/1985	Hung	
D375,962 S	11/1996	Wong	
D376,199 S	12/1996	Rozek et al.	
D398,011 S	* 9/1998	Wang	D15/9
D418,522 S	1/2000	Angel	
D421,298 S	* 2/2000	Kenyon et al.	D24/110
D437,637 S	2/2001	Leonhard et al.	
D454,393 S	3/2002	Lynch et al.	
D464,724 S	10/2002	Lynch et al.	
D467,335 S	* 12/2002	Lithgow et al.	D24/110
D468,011 S	* 12/2002	Lithgow et al.	D24/110
D468,017 S	12/2002	McCombs	
D498,768 S	11/2004	Romandy et al.	
D498,769 S	* 11/2004	Chou	D15/9
D527,098 S	8/2006	Cheng	
D538,825 S	3/2007	Chen Han	
D548,331 S	8/2007	Tseng	
D568,464 S	5/2008	Attolini	

D570,473 S	6/2008	Hamaguchi et al.	
7,448,380 B2	* 11/2008	Bright	128/203.16
D582,945 S	* 12/2008	Chou	D15/9
D598,472 S	8/2009	Anderson et al.	
D606,099 S	12/2009	Lawyer et al.	
D627,795 S	* 11/2010	Eckhardt	D15/9
D635,587 S	4/2011	Schleef	
D641,764 S	7/2011	Lipscomb et al.	
D642,273 S	7/2011	McCombs et al.	
D644,250 S	8/2011	Barber et al.	
2011/0108024 A1	* 5/2011	Padilla	128/200.14

**OTHER PUBLICATIONS**

Design U.S. Appl. No. 29/396,960, filed Jul. 8, 2011 (9 pages).  
Design U.S. Appl. No. 29/406,782, filed Nov. 18, 2011 (7 pages).

\* cited by examiner

*Primary Examiner* — Stella Reid

*Assistant Examiner* — Richelle G Shelton

(74) *Attorney, Agent, or Firm* — Brinks Gilson & Lione

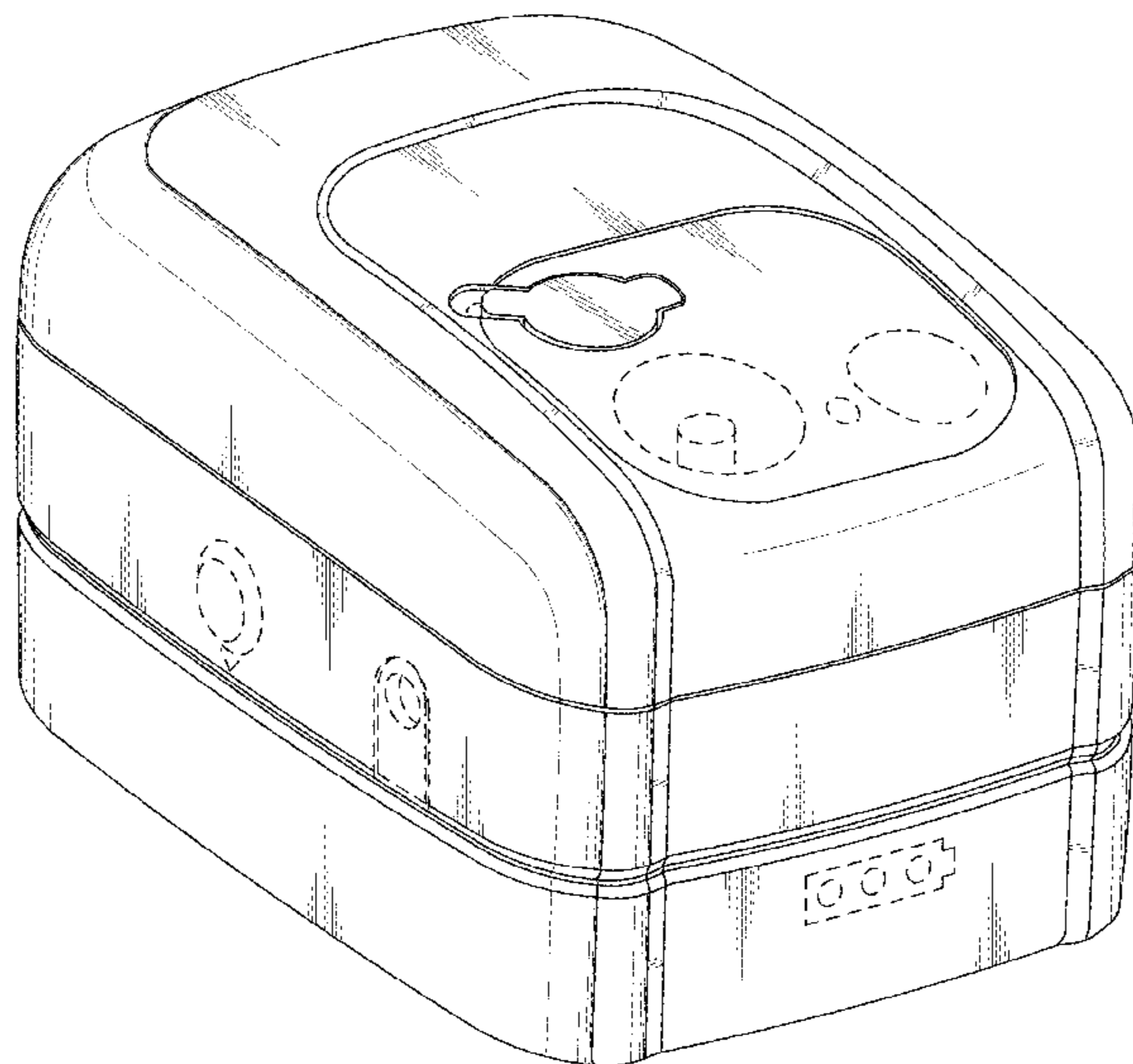
(57) **CLAIM**

I claim the ornamental design for a portable compressor for medical devices, as shown and described.

**DESCRIPTION**

FIG. 1 is a top left side perspective view of a portable compressor for medical devices of the present invention; FIG. 2 is a front elevation view thereof; FIG. 3 is a rear elevation view thereof; FIG. 4 is a top plan view thereof; FIG. 5 is a bottom plan view thereof; FIG. 6 is a left side elevation view thereof; and, FIG. 7 is a right side elevation view thereof. The ornamental design which is claimed is shown in solid lines in the drawings. The broken line showing of portions of the article is included for the purpose of illustrating environmental structure and forms no part of the claimed design.

**1 Claim, 4 Drawing Sheets**



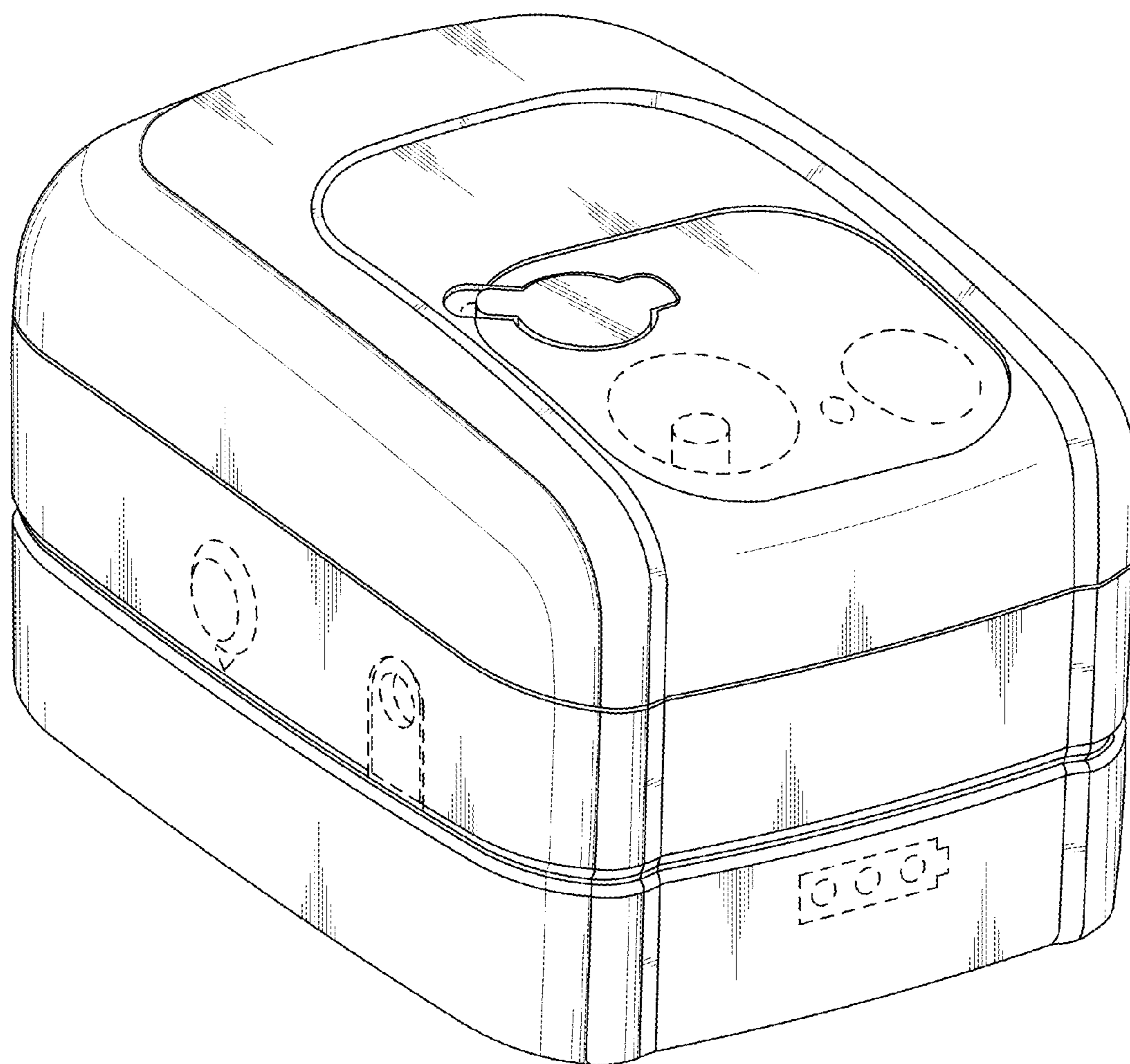


FIG. 1

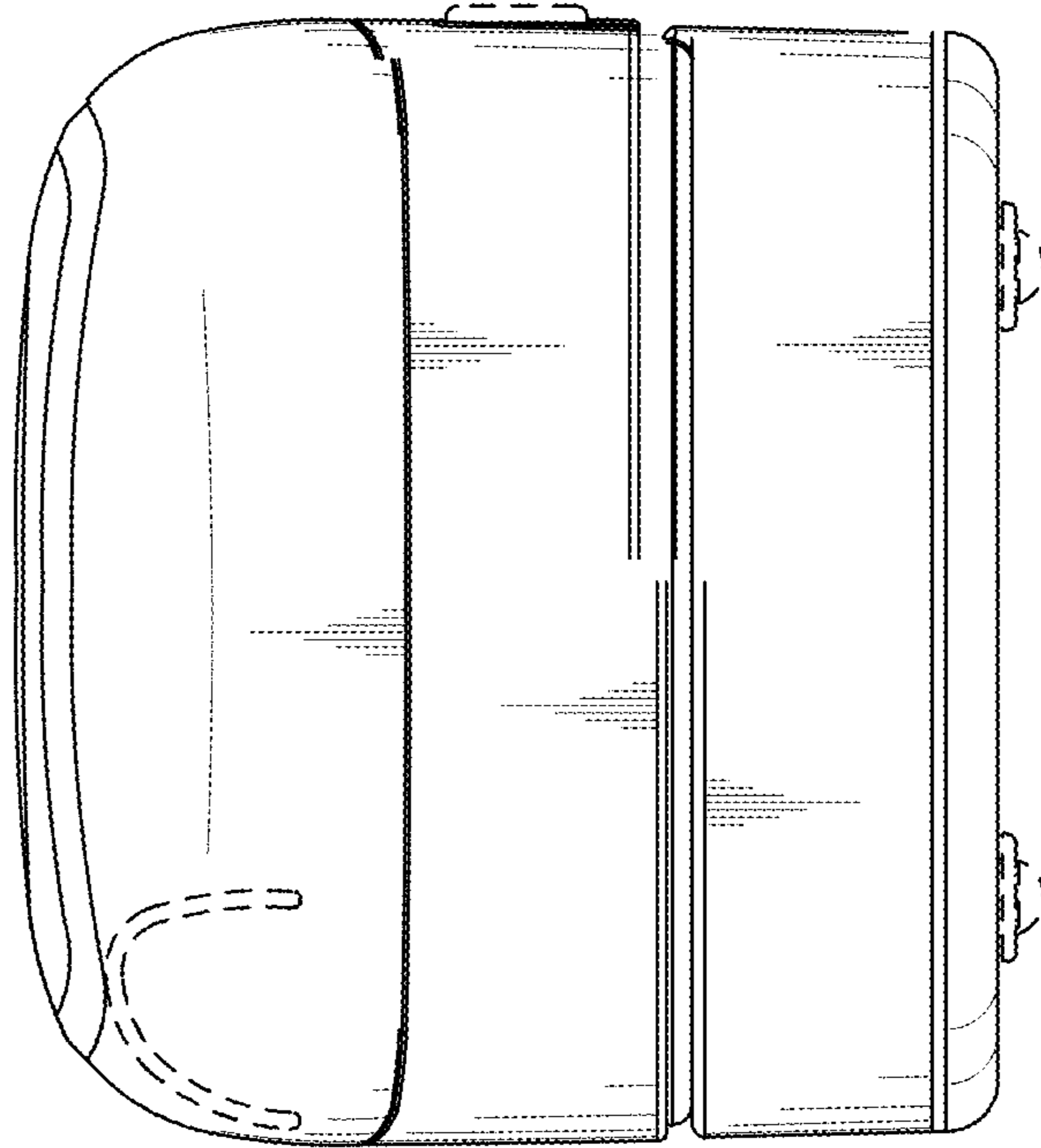


FIG. 3

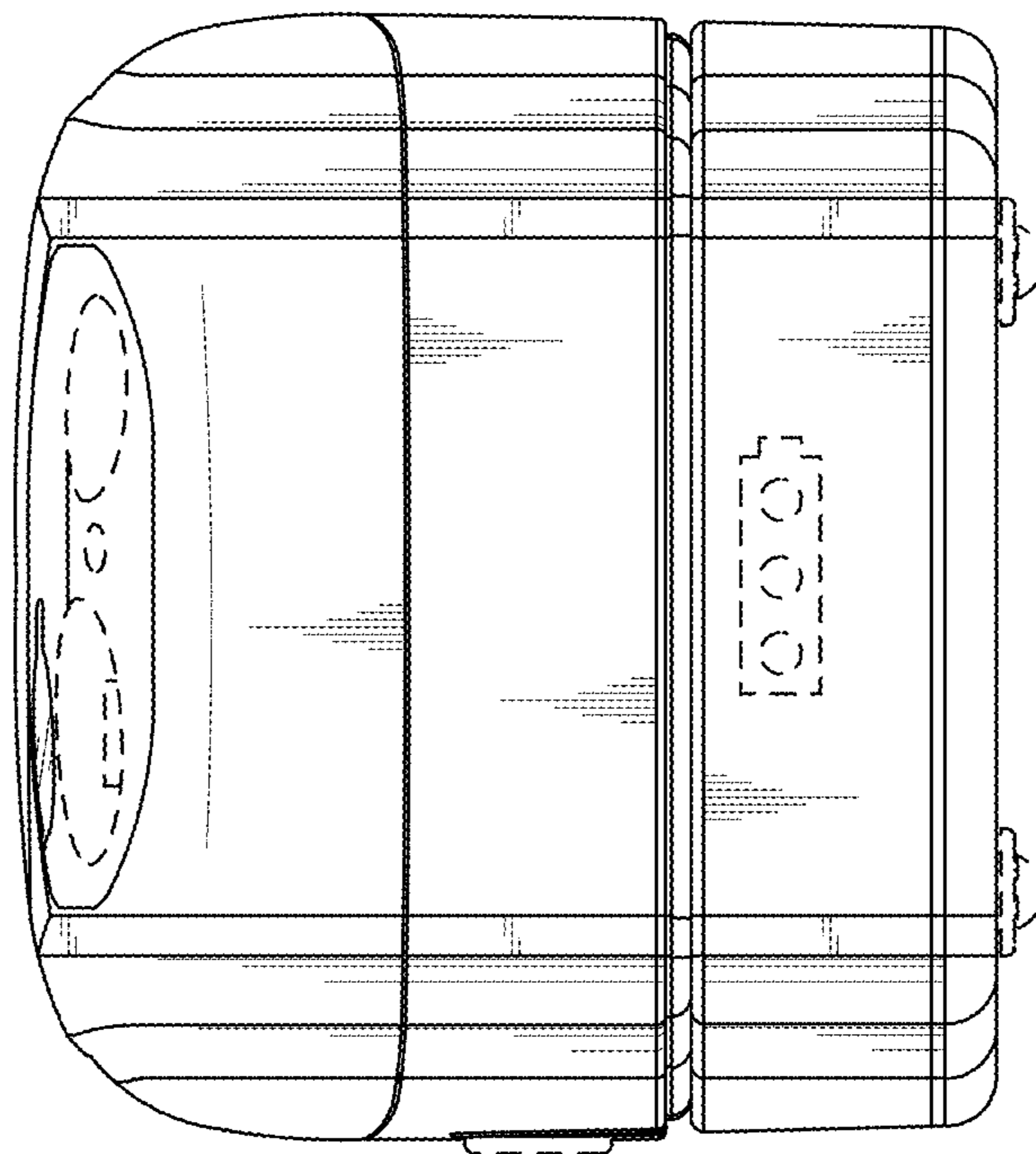


FIG. 2

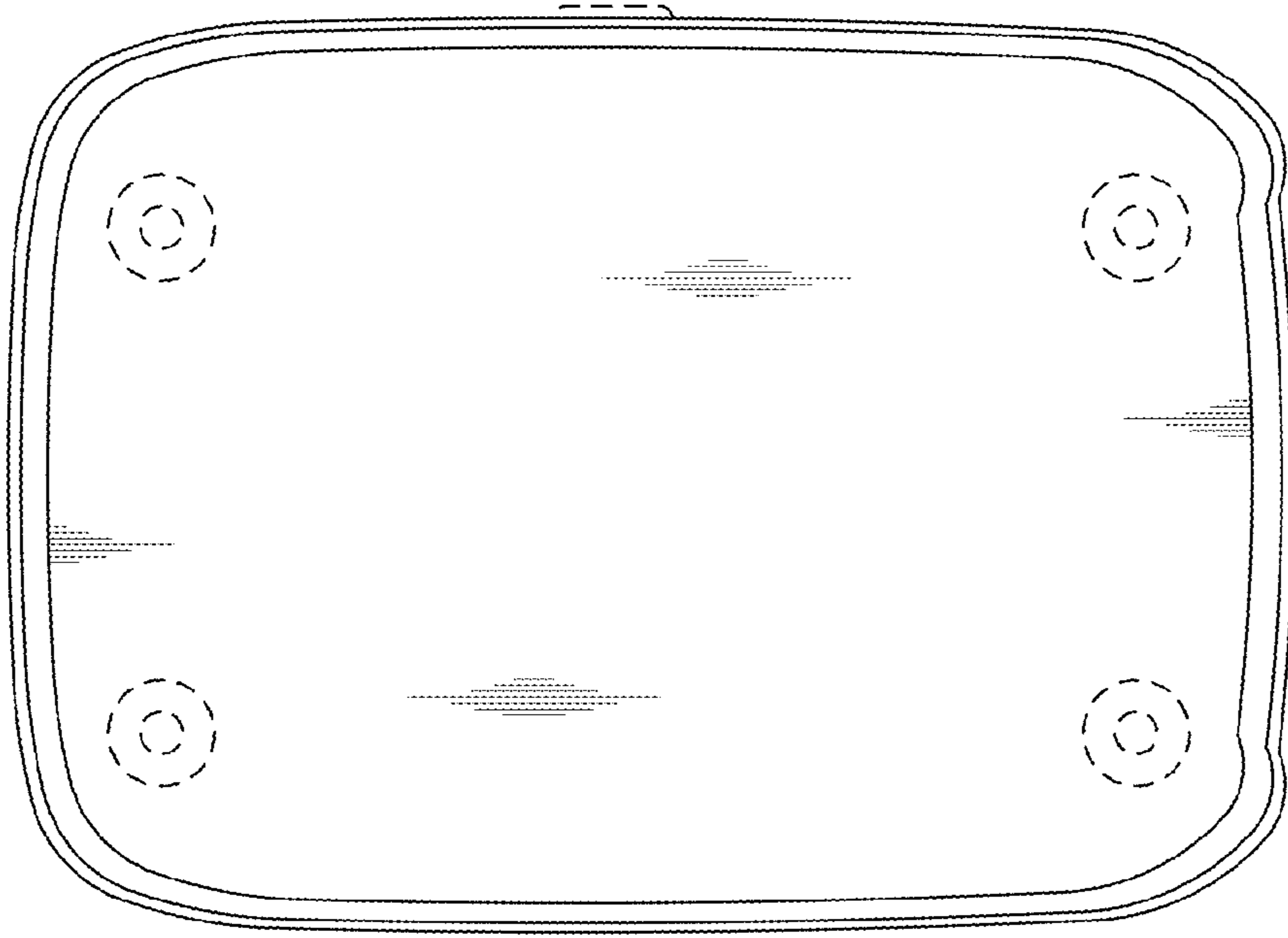


FIG. 5

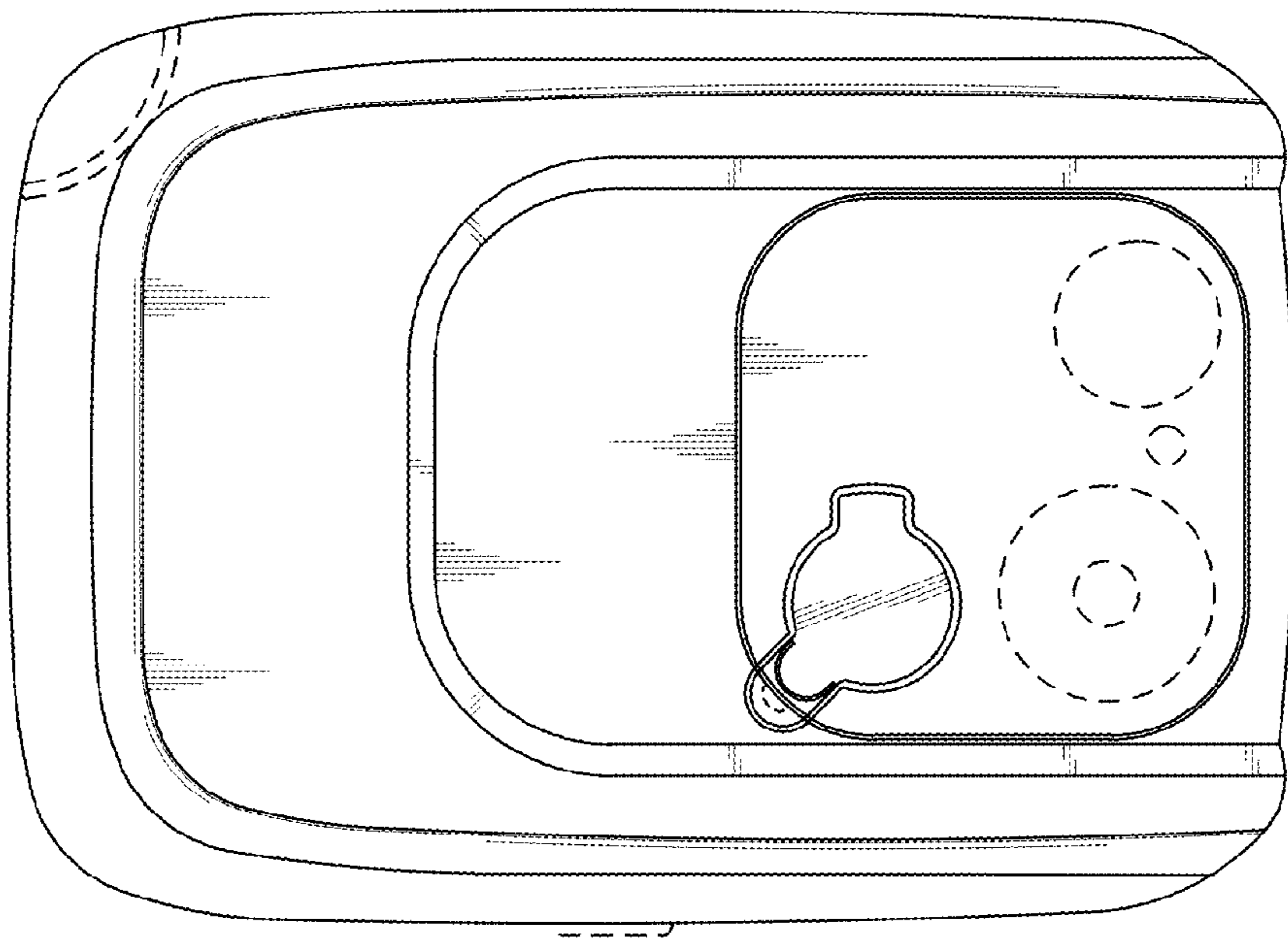


FIG. 4



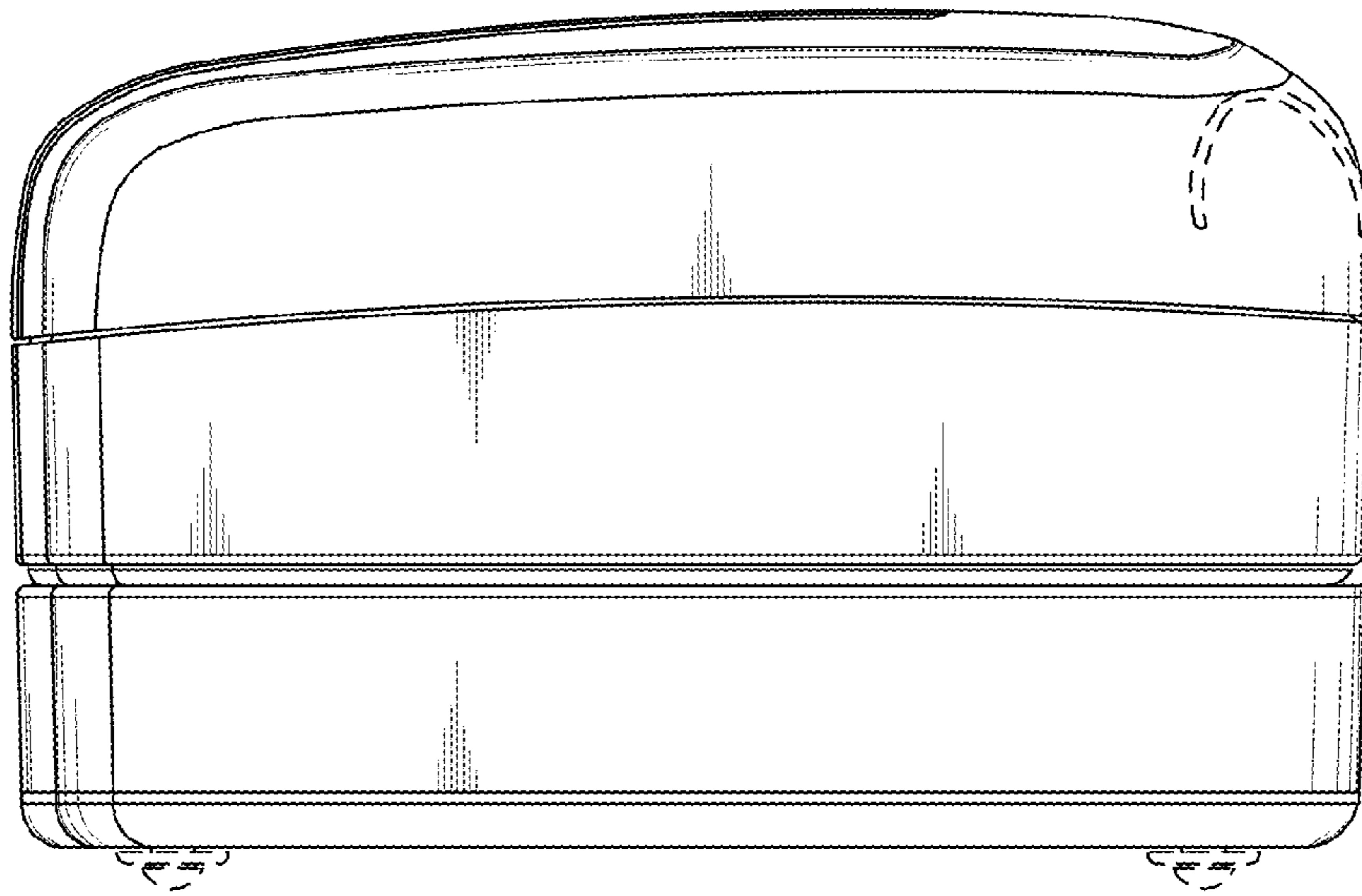


FIG. 7

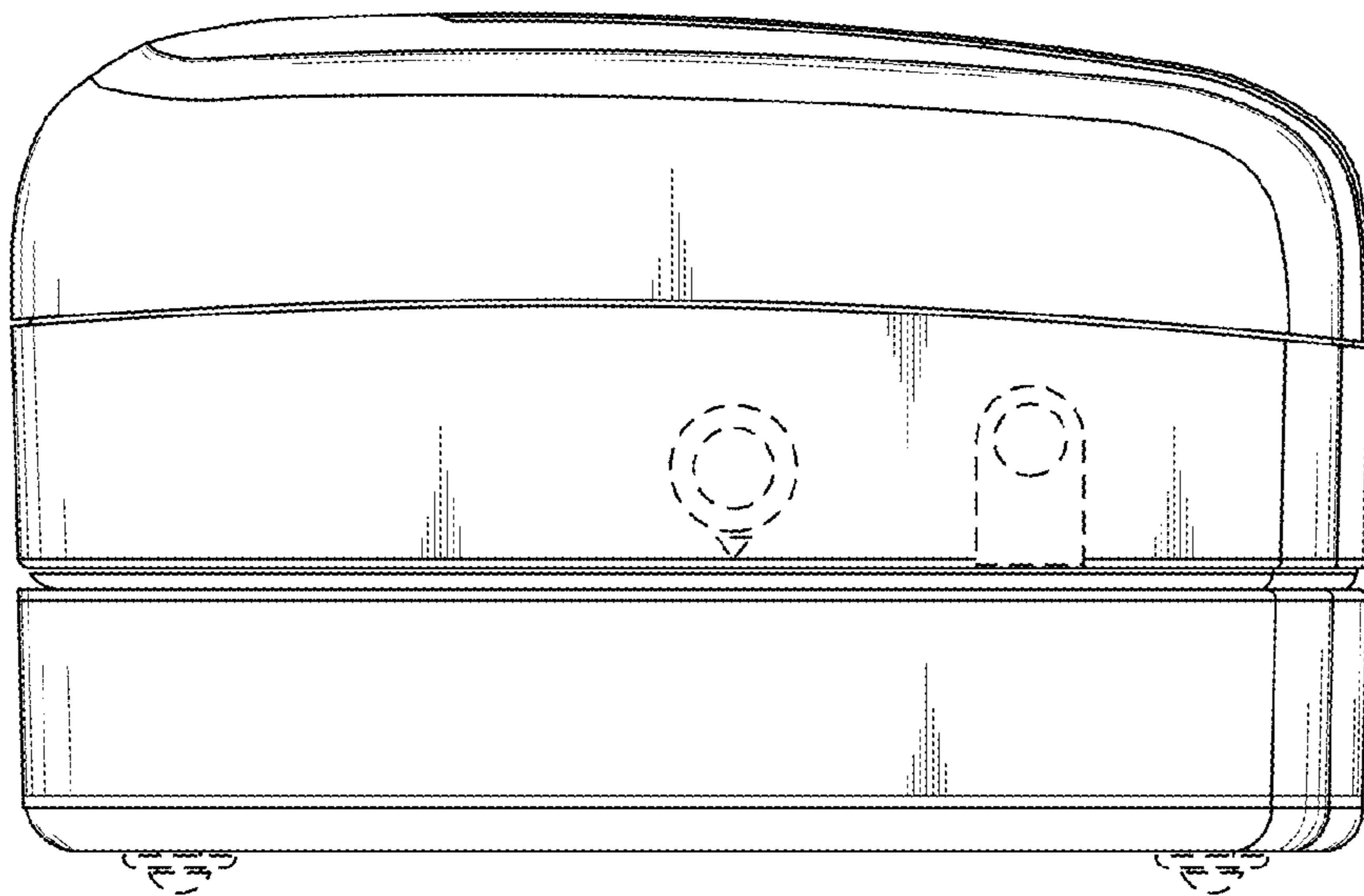


FIG. 6