



US00D696392S

(12) **United States Design Patent**  
**Funnell, II**

(10) **Patent No.:** **US D696,392 S**  
(45) **Date of Patent:** **\*\* Dec. 24, 2013**

(54) **CONTROL PANEL FOR A VENTILATION HOOD**

(71) Applicant: **BSH Home Appliances Corporation**, Irvine, CA (US)

(72) Inventor: **Richard W. Funnell, II**, Corona del Mar, CA (US)

(73) Assignee: **BSH Home Appliances Corporation**, Irvine, CA (US)

(\*\*) Term: **14 Years**

(21) Appl. No.: **29/451,551**

(22) Filed: **Apr. 4, 2013**

**Related U.S. Application Data**

(62) Division of application No. 29/438,820, filed on Dec. 4, 2012, now Pat. No. Des. 687,138, which is a division of application No. 29/398,036, filed on Jul. 26, 2011, now Pat. No. Des. 677,775.

(51) **LOC (9) Cl.** ..... **23-04**

(52) **U.S. Cl.**  
USPC ..... **D23/371**

(58) **Field of Classification Search**  
USPC ..... D13/179; D23/370-394, 411-414; D26/51, 59, 72, 81-86; 34/169; 52/302.1, 302.7; 55/DIG. 36; 123/41.7; 126/58, 60, 61, 64-66, 84, 126/299 D-299 F, 299 R, 300, 301, 312, 531; 138/118, 121, 172, 173, 177; 165/54, 165/59; 285/133.6; 392/364; 415/126, 127, 415/213.1, 214.1; 416/5, 204 R, 210 R, 234, 416/237, 244 R, 247 R; 454/41, 42, 233, 454/236, 250-253, 275-277, 284, 309, 367, 454/368

See application file for complete search history.

(56) **References Cited**

U.S. PATENT DOCUMENTS

D247,510 S *	3/1978	Kujawa, Jr. ....	D23/373
D266,923 S *	11/1982	Parks et al. ....	D23/372
D285,834 S *	9/1986	Morgan ....	D23/373
D288,121 S *	2/1987	Takahashi et al. ....	D23/370
D320,847 S *	10/1991	Lanigan ....	D23/371
5,267,550 A *	12/1993	Jang ....	126/299 D
D532,507 S *	11/2006	Vetter ....	D23/372
D611,591 S *	3/2010	Grey ....	D23/372
D635,235 S *	3/2011	Hoshino et al. ....	D23/372
D659,232 S *	5/2012	Funnell, II ....	D23/371
D677,775 S *	3/2013	Funnell, II ....	D23/371
D684,676 S *	6/2013	Funnell, II ....	D23/372
D687,138 S *	7/2013	Funnell, II ....	D23/371

\* cited by examiner

*Primary Examiner* — Garth Rademaker

(74) *Attorney, Agent, or Firm* — James E. Howard; Andre Pallapies

(57) **CLAIM**

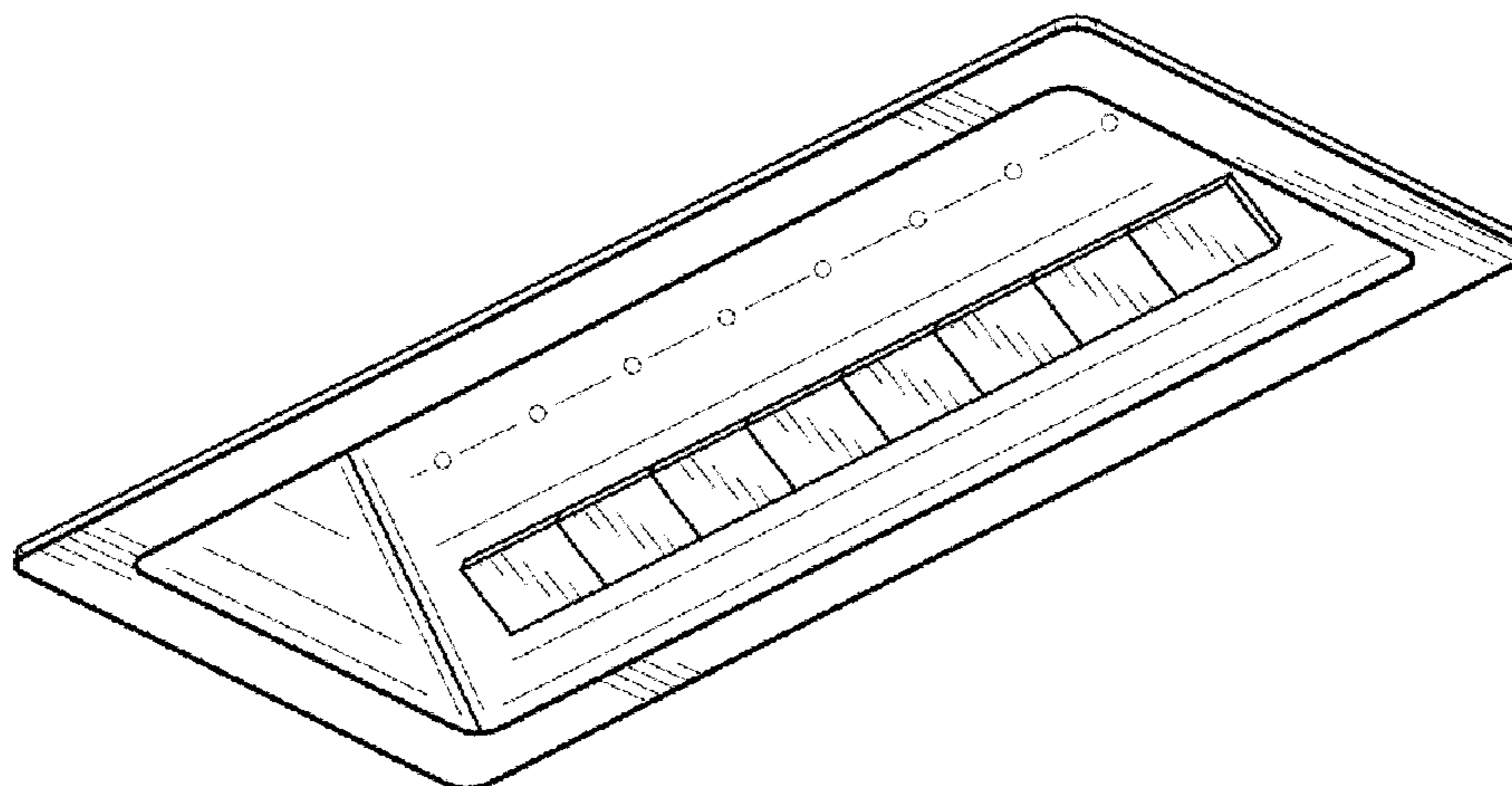
The ornamental design for a control panel for a ventilation hood, as shown and described.

**DESCRIPTION**

FIG. 1 is a front perspective view of a control panel for a ventilation hood according to my new ornamental design; FIG. 2 is another perspective view thereof; FIG. 3 is a front view thereof; FIG. 4 is a top view thereof; and, FIG. 5 is a right side view thereof, with the left side view being identical.

The broken lines represent environment or structure and do not form any part of the claimed design.

**1 Claim, 1 Drawing Sheet**



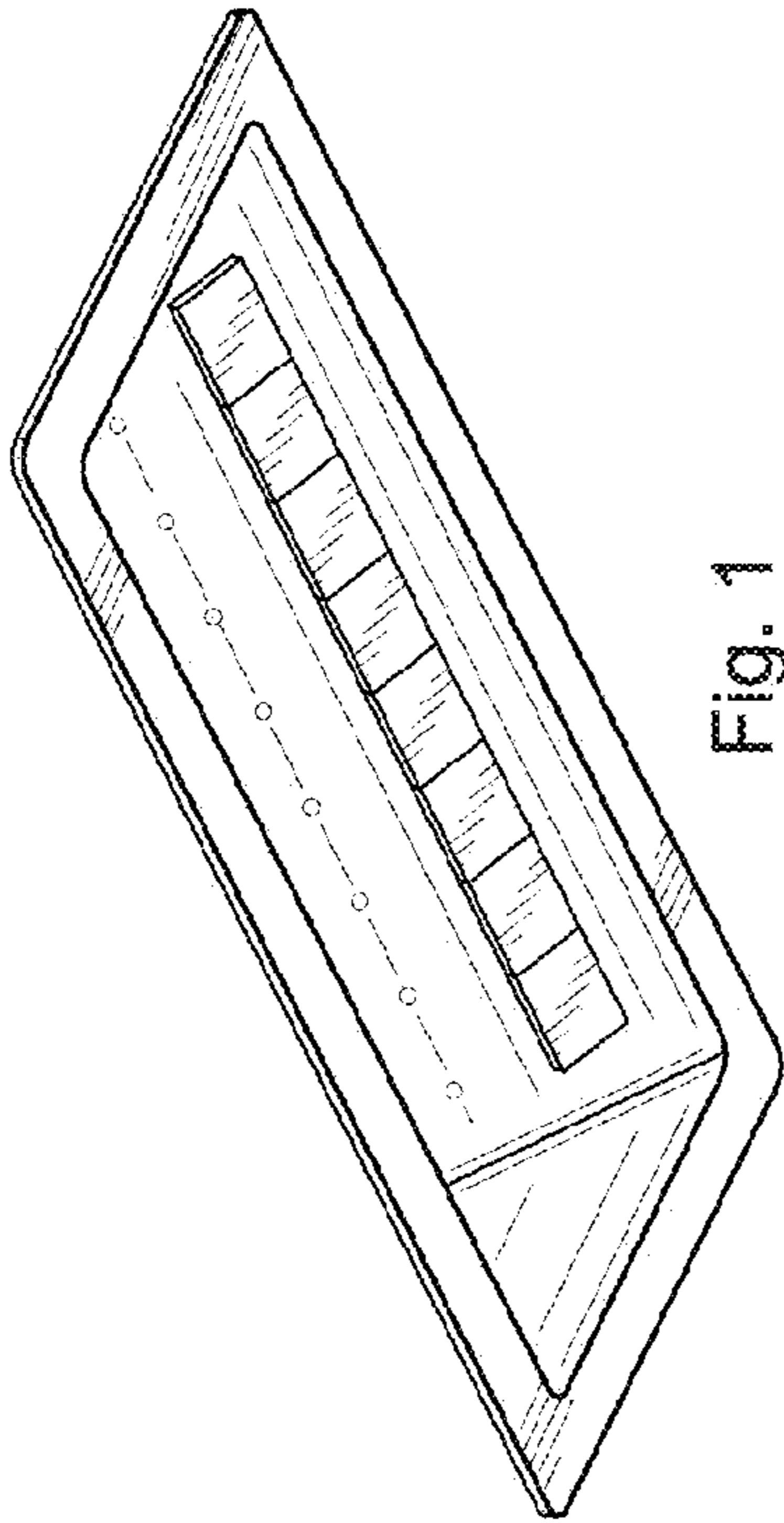


Fig. 1

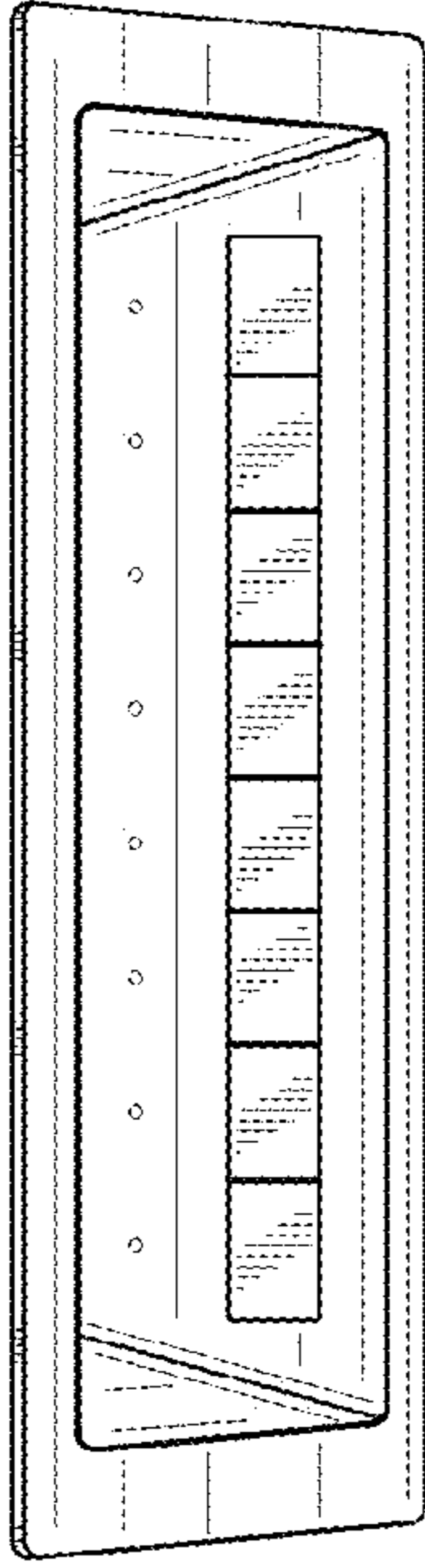


Fig. 2

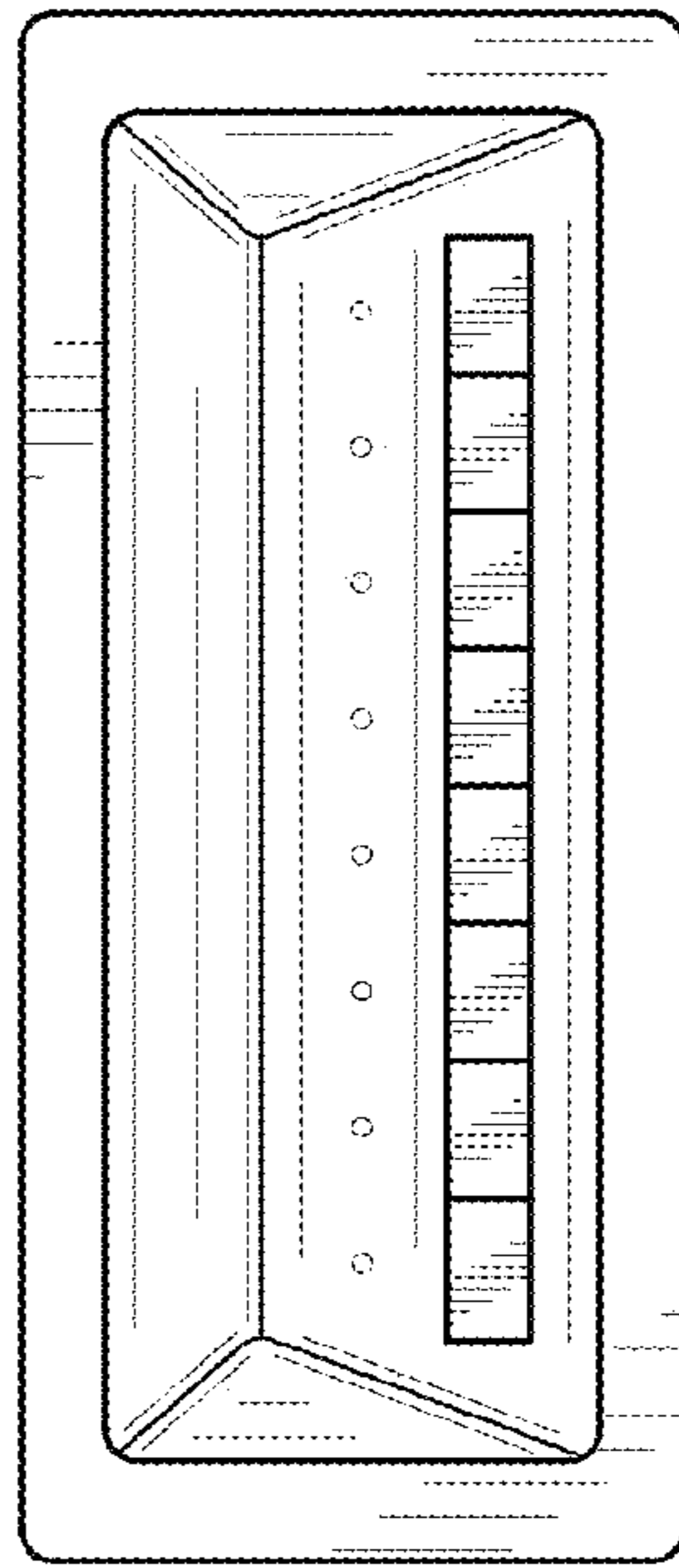


Fig. 3

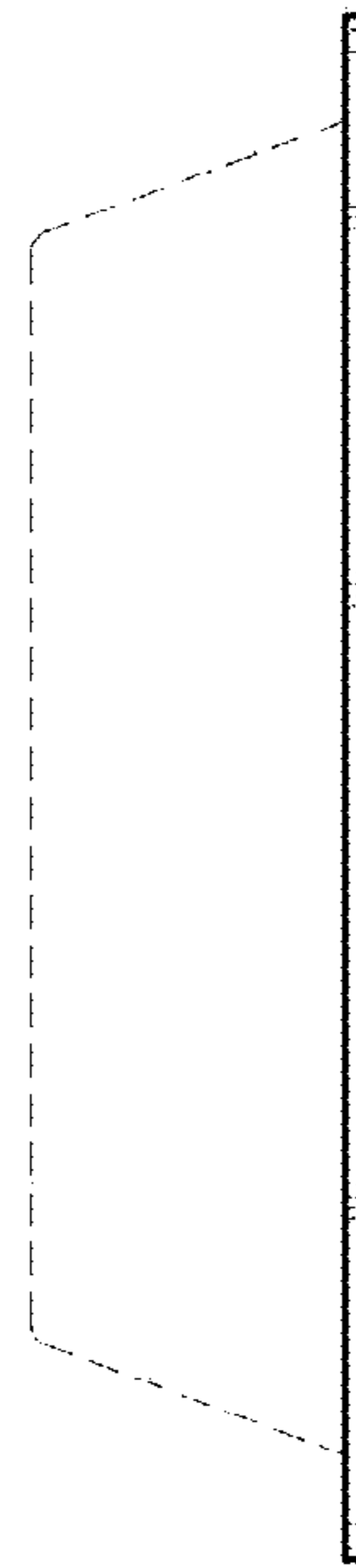


Fig. 4

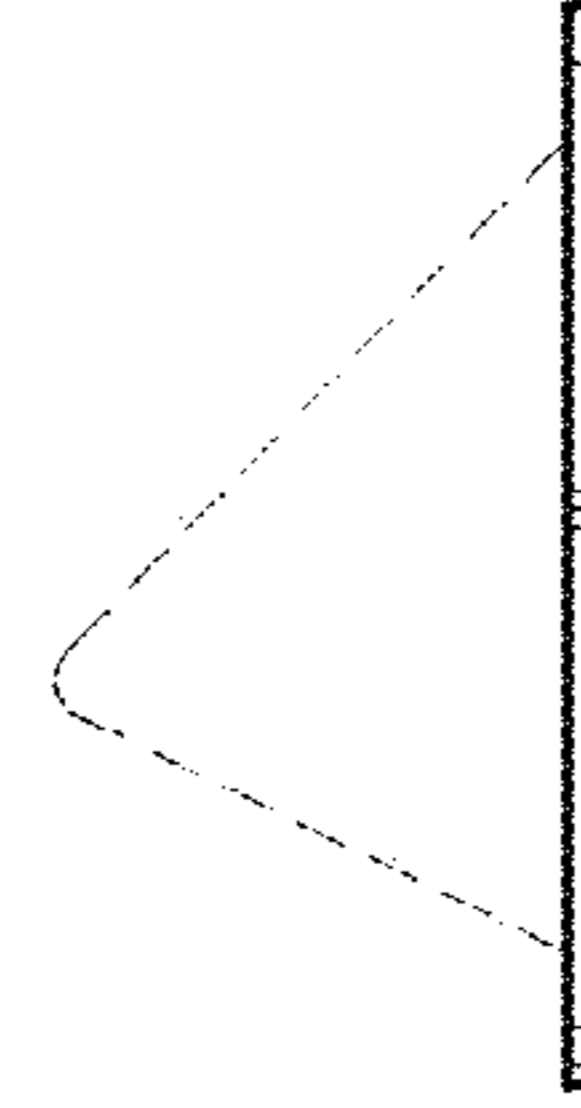


Fig. 5