



US00D696389S

(12) **United States Design Patent**  
**Harden et al.**

(10) **Patent No.:** **US D696,389 S**

(45) **Date of Patent:** **\*\* Dec. 24, 2013**

(54) **WATER HEATER**

(75) Inventors: **Daniel K. Harden**, Palo Alto, CA (US);  
**Kyle Andrew Buzzard**, Campbell, CA  
(US)

(73) Assignee: **Calentadores de America, S.A. de C.V.**,  
Coahuila C.P. (MX)

(\*\*) Term: **14 Years**

(21) Appl. No.: **29/432,280**

(22) Filed: **Sep. 14, 2012**

(30) **Foreign Application Priority Data**

Mar. 26, 2012 (MX) ..... MX/f/2012/000982

(51) **LOC (9) Cl.** ..... **23-01**

(52) **U.S. Cl.**  
USPC ..... **D23/318**

(58) **Field of Classification Search**  
USPC ..... D23/318, 322, 319, 320, 321, 334;  
126/361, 35 R; 122/13.2, 14, 15, 19.2;  
392/449, 451, 454  
See application file for complete search history.

(56) **References Cited**

**U.S. PATENT DOCUMENTS**

D388,868 S \* 1/1998 Vago et al. .... D23/318  
D603,492 S \* 11/2009 Lopez et al. .... D23/318

D646,104 S \* 10/2011 Zhou et al. .... D7/305  
D665,063 S \* 8/2012 Zhang et al. .... D23/318  
D665,483 S \* 8/2012 Fu et al. .... D23/318  
2009/0120381 A1 \* 5/2009 Lopez et al. .... 122/14.1  
2010/0155386 A1 \* 6/2010 Caves et al. .... 219/441

\* cited by examiner

*Primary Examiner* — T. Chase Nelson

*Assistant Examiner* — Ania Aman

(74) *Attorney, Agent, or Firm* — Dority & Manning, P.A.

(57) **CLAIM**

The ornamental design for a water heater, as shown and described.

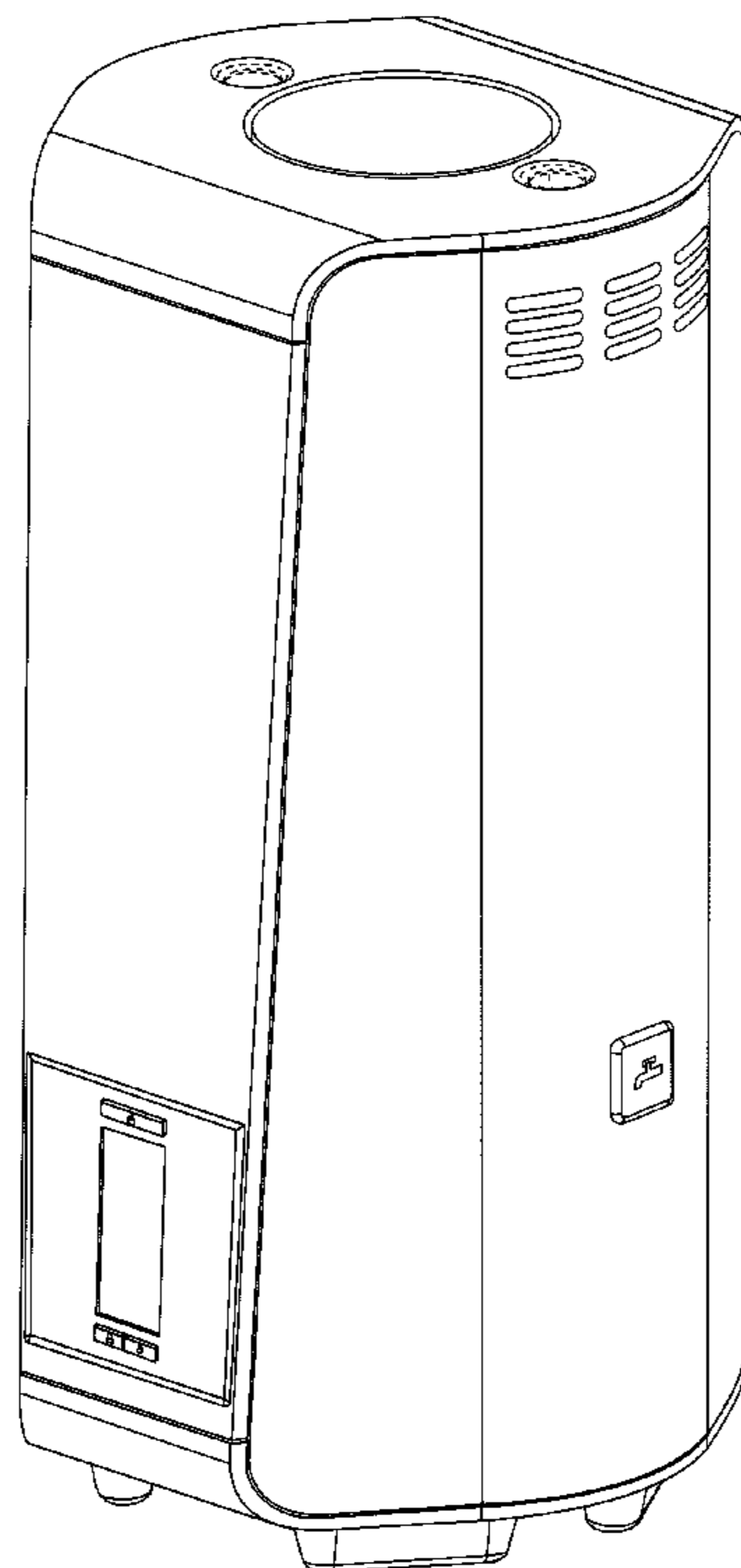
**DESCRIPTION**

FIG. 1 shows the right frontal perspective of the water heater; FIG. 2 shows left frontal perspective of the water heater; FIG. 3 shows frontal view of the water heater; FIG. 4 shows rear view of the water heater; FIG. 5 shows left side view of the water heater; FIG. 6 shows right side view of the water heater; FIG. 7 shows bottom view of the water heater; and, FIG. 8 shows top view of the water heater.

The broken lines shown in the drawings are included for the purpose of illustrating portions of the article that form no part of the claimed design.

This invention refers to the industrial model of a water heater, which is totally different to those already known, characterized by its special shape and adornment that give it a particular and peculiar appearance.

**1 Claim, 8 Drawing Sheets**



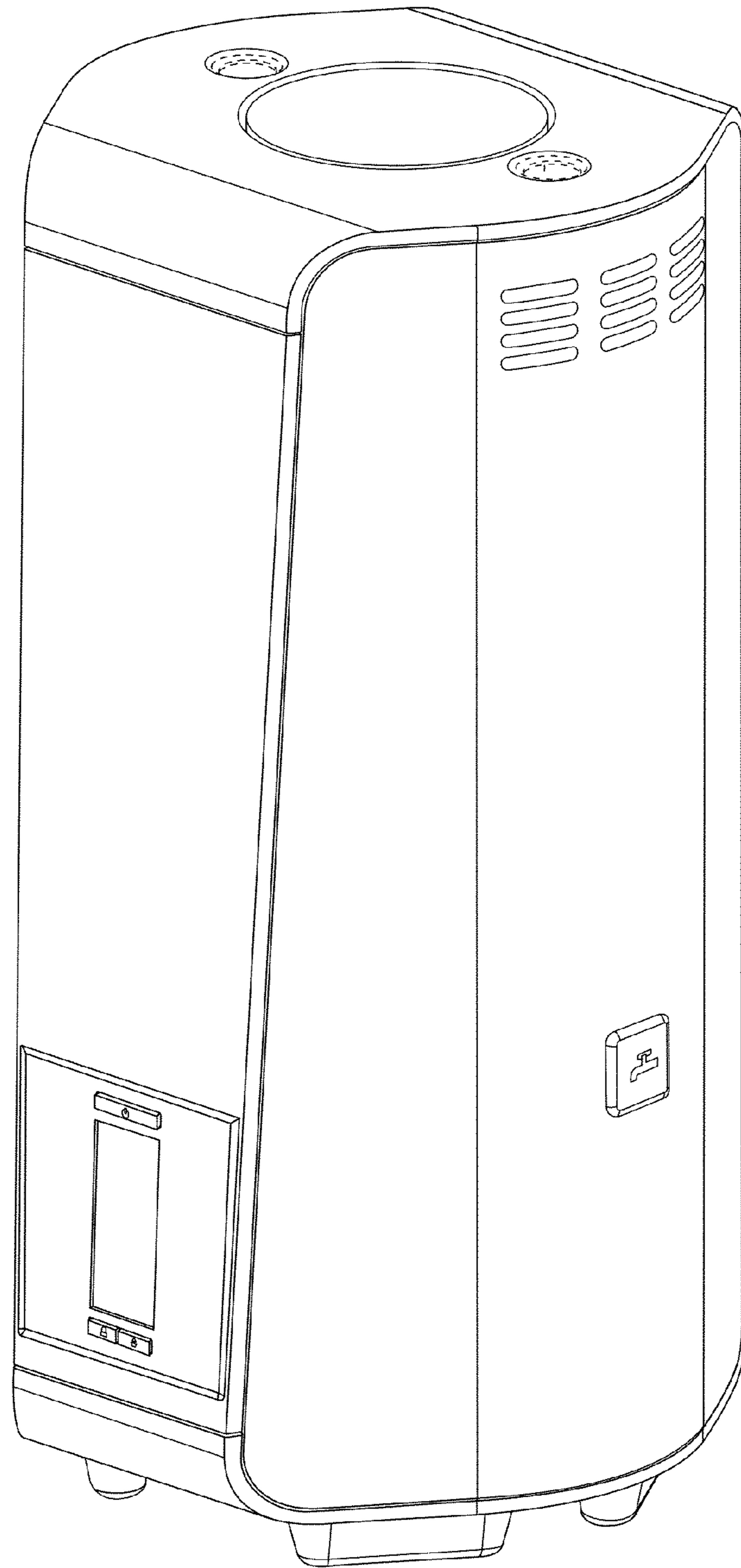


FIG. 1

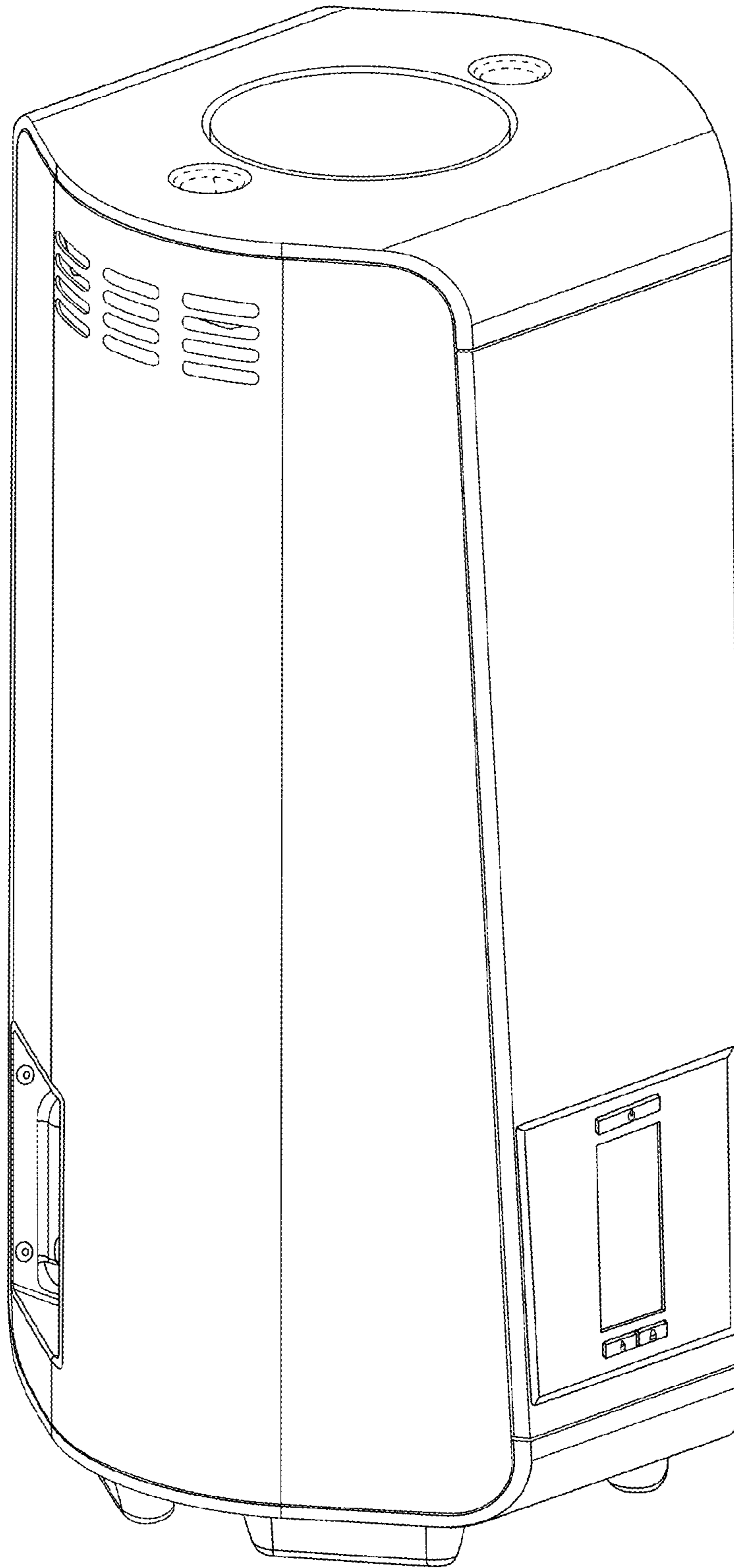


FIG. 2

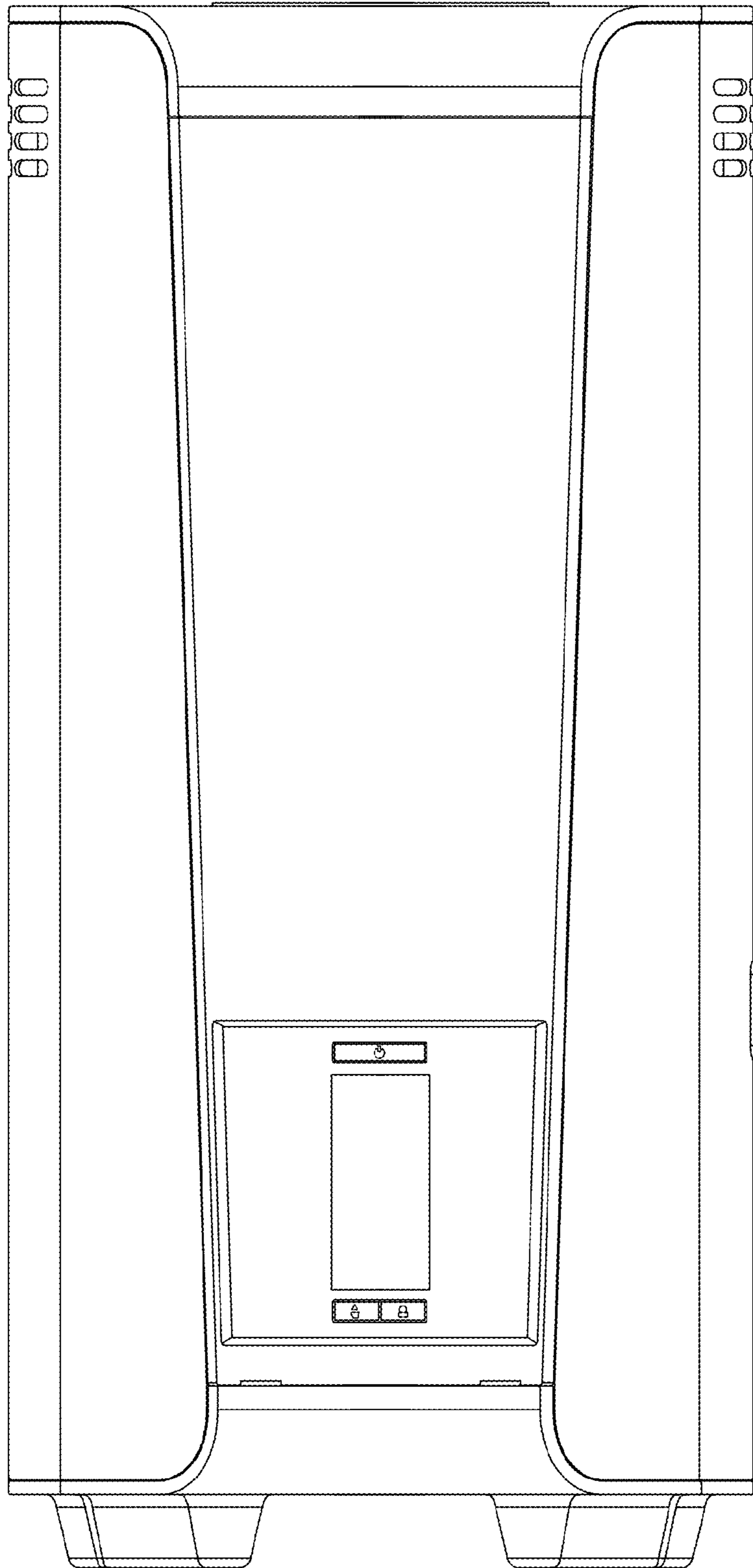


FIG. 3

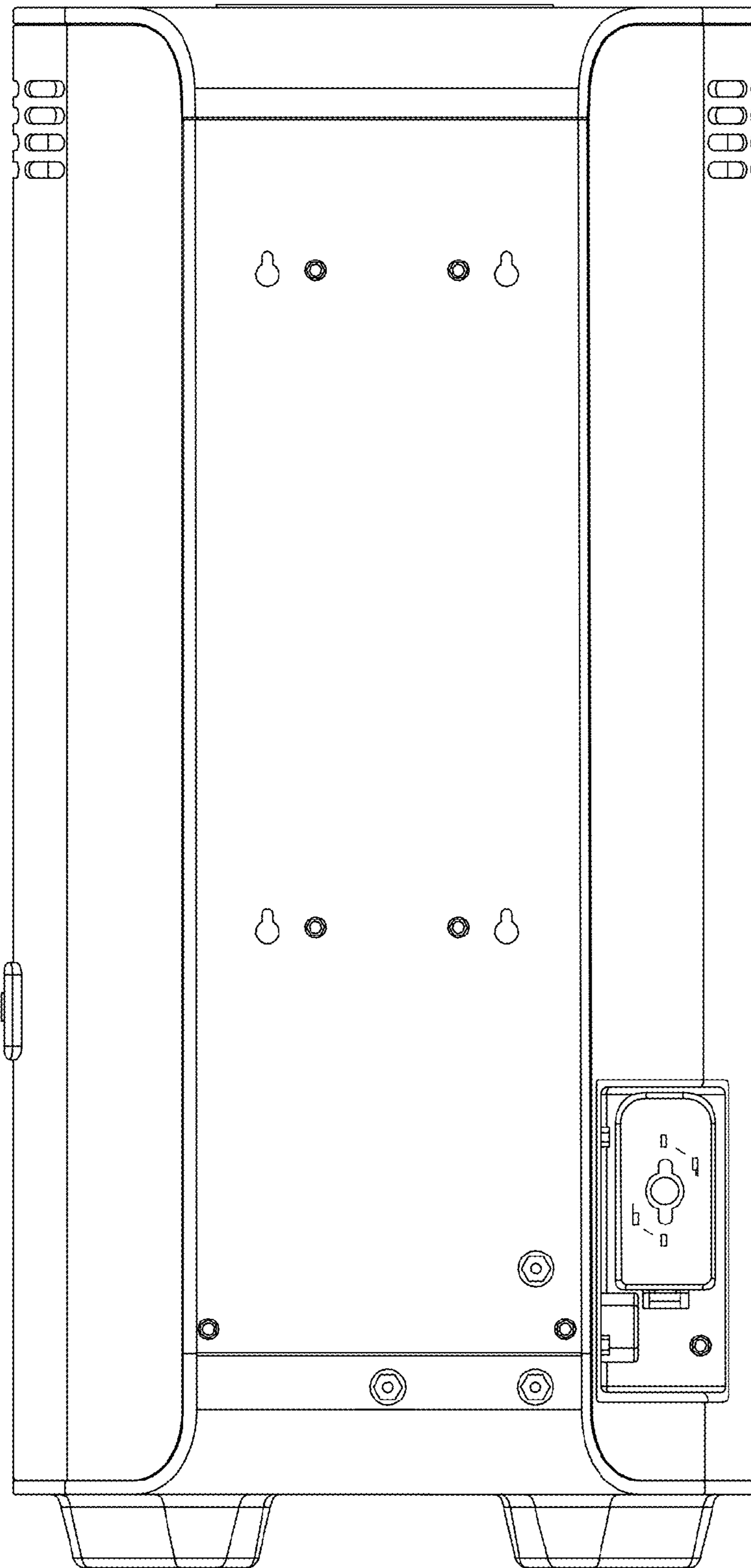


FIG. 4

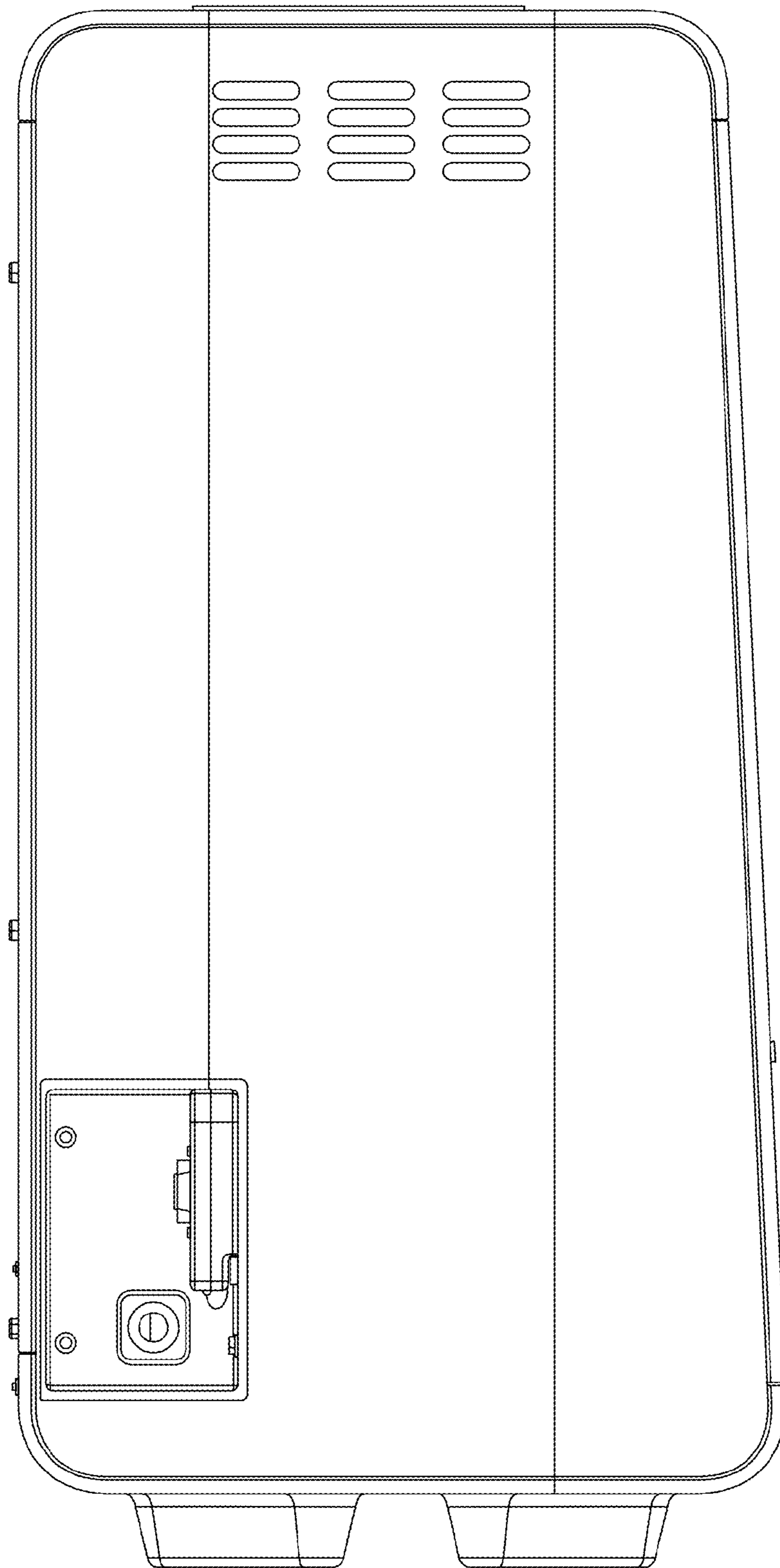


FIG. 5

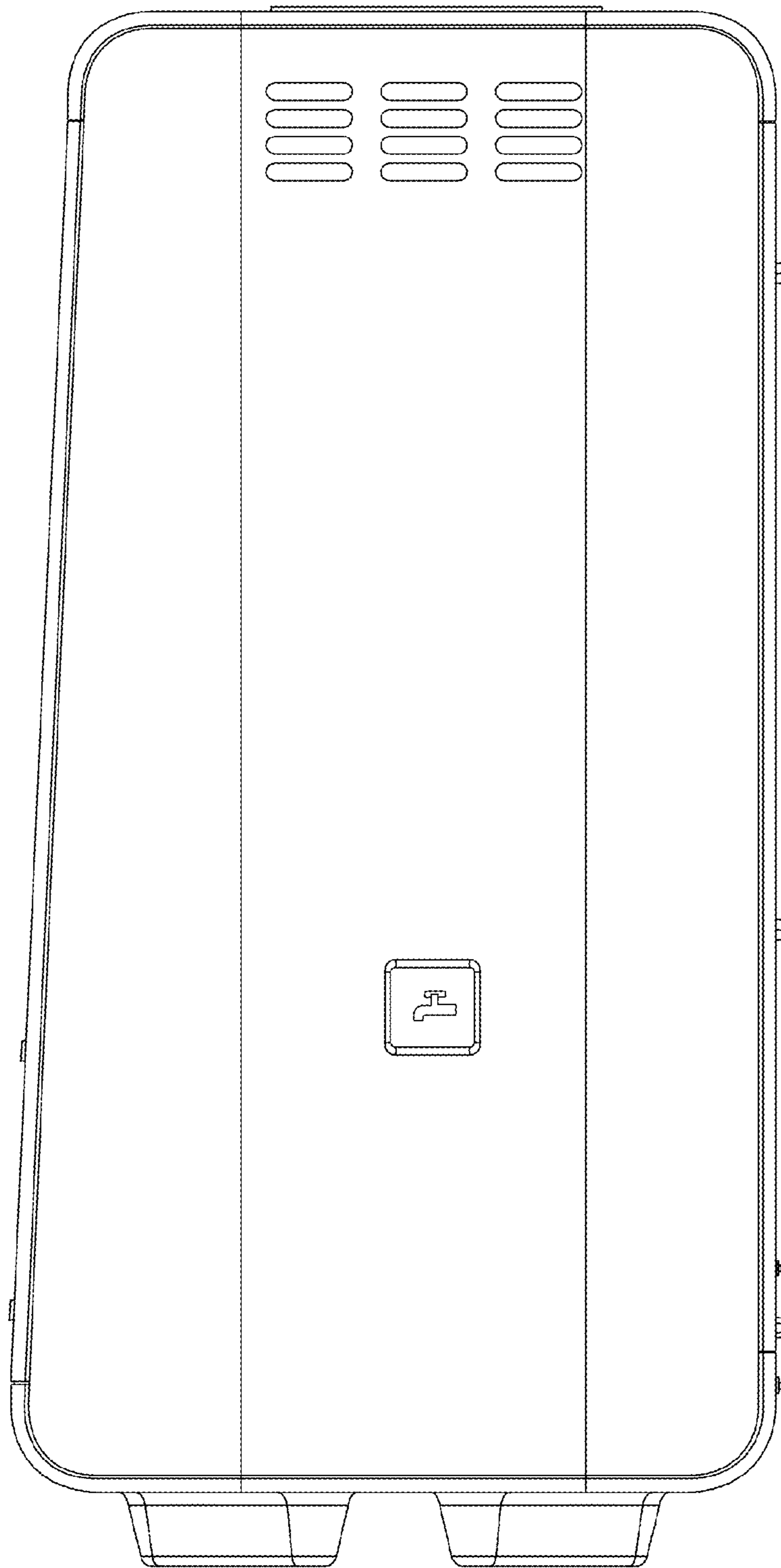
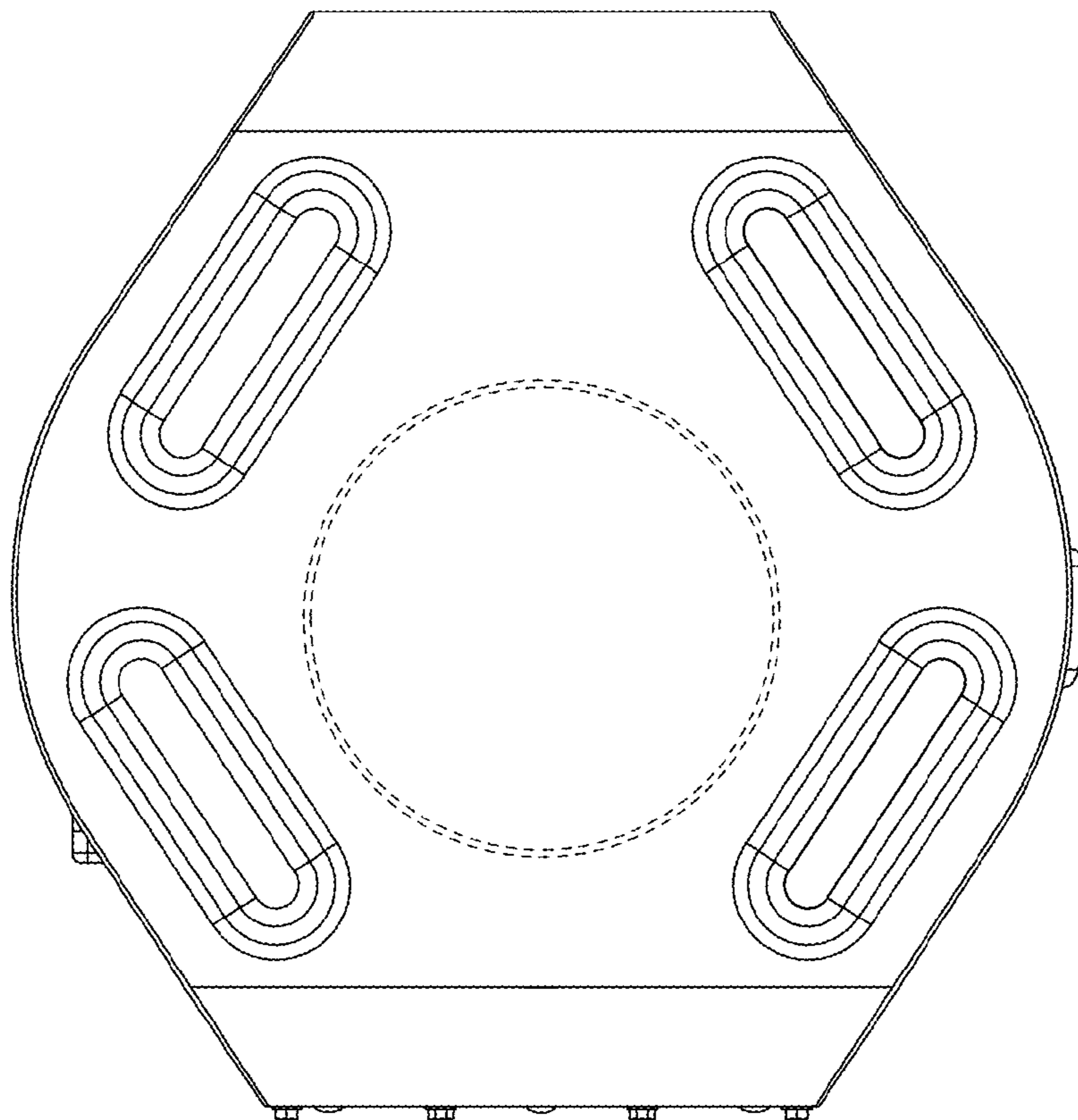


FIG. 6



**FIG. 7**



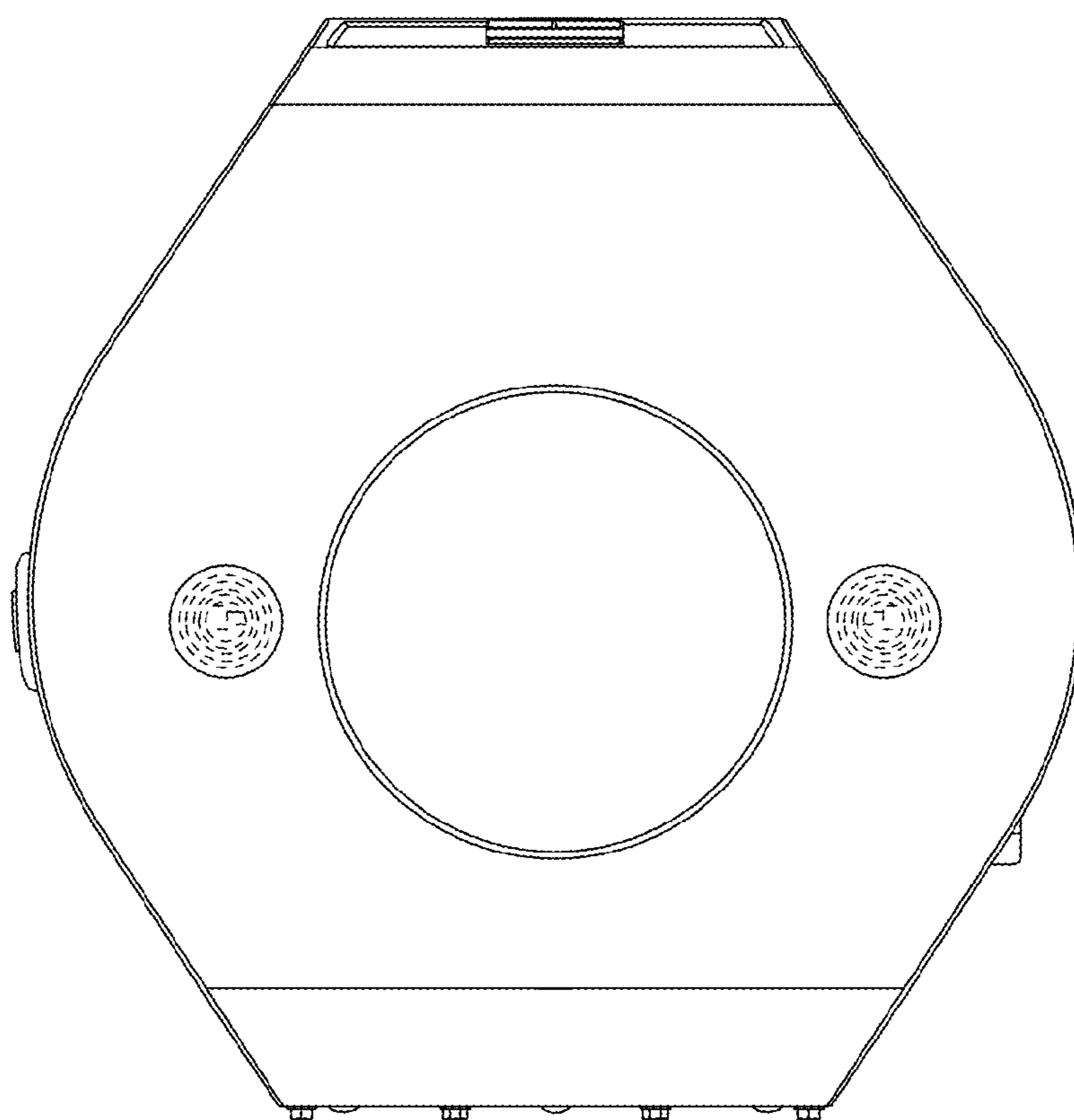


FIG. 8