



US00D696388S

(12) **United States Design Patent**  
**Letnik**

(10) **Patent No.:** **US D696,388 S**

(45) **Date of Patent:** **\*\* Dec. 24, 2013**

(54) **PIPE CLAMP**

(76) Inventor: **John Letnik**, Stoney Creek (CA)

(\*\*) Term: **14 Years**

(21) Appl. No.: **29/427,231**

(22) Filed: **Jul. 16, 2012**

(51) **LOC (9) Cl.** ..... **23-01**

(52) **U.S. Cl.**  
USPC ..... **D23/259**

(58) **Field of Classification Search**  
USPC ..... D23/259, 262; D8/394, 396; 138/172,  
138/173, 176, 177, 153, 121; 285/235, 292,  
285/293, 294, 236, 242, 420-421  
See application file for complete search history.

(56) **References Cited**

**U.S. PATENT DOCUMENTS**

2,001,244	A *	5/1935	Ezell	.....	285/34
2,435,989	A *	2/1948	Webster	.....	439/583
D292,308	S *	10/1987	Beltran	.....	D23/269
4,890,863	A *	1/1990	Westhoff et al.	.....	277/606
D320,841	S *	10/1991	Breadmont	.....	D23/262
D362,048	S *	9/1995	Lang	.....	D23/262
5,582,437	A *	12/1996	Bartholomew	.....	285/272

D552,719	S *	10/2007	Petner et al.	.....	D23/261
D616,966	S *	6/2010	Angell	.....	D23/262
D674,058	S *	1/2013	Yu	.....	D23/262
2002/0089179	A1 *	7/2002	Guyumjan	.....	285/242
2008/0267709	A1 *	10/2008	Terry	.....	405/43

\* cited by examiner

*Primary Examiner* — Eric Goodman

(57) **CLAIM**

The ornamental design for a pipe clamp, as shown and described.

**DESCRIPTION**

FIG. 1 is a bottom plan view of the present design a pipe clamp.  
 FIG. 2 is a right side elevational view of the pipe clamp of the present design shown in FIG. 1.  
 FIG. 3 is a top plan view of the pipe clamp of the present design shown in FIG. 1.  
 FIG. 4 is left side elevational view of the pipe clamp of the present design shown in FIG. 1.  
 FIG. 5 is a top right side perspective view of the pipe clamp of the present design shown in FIG. 1; and,  
 FIG. 6 is a bottom right side perspective view of the pipe clamp of the present design shown in FIG. 1.

**1 Claim, 2 Drawing Sheets**

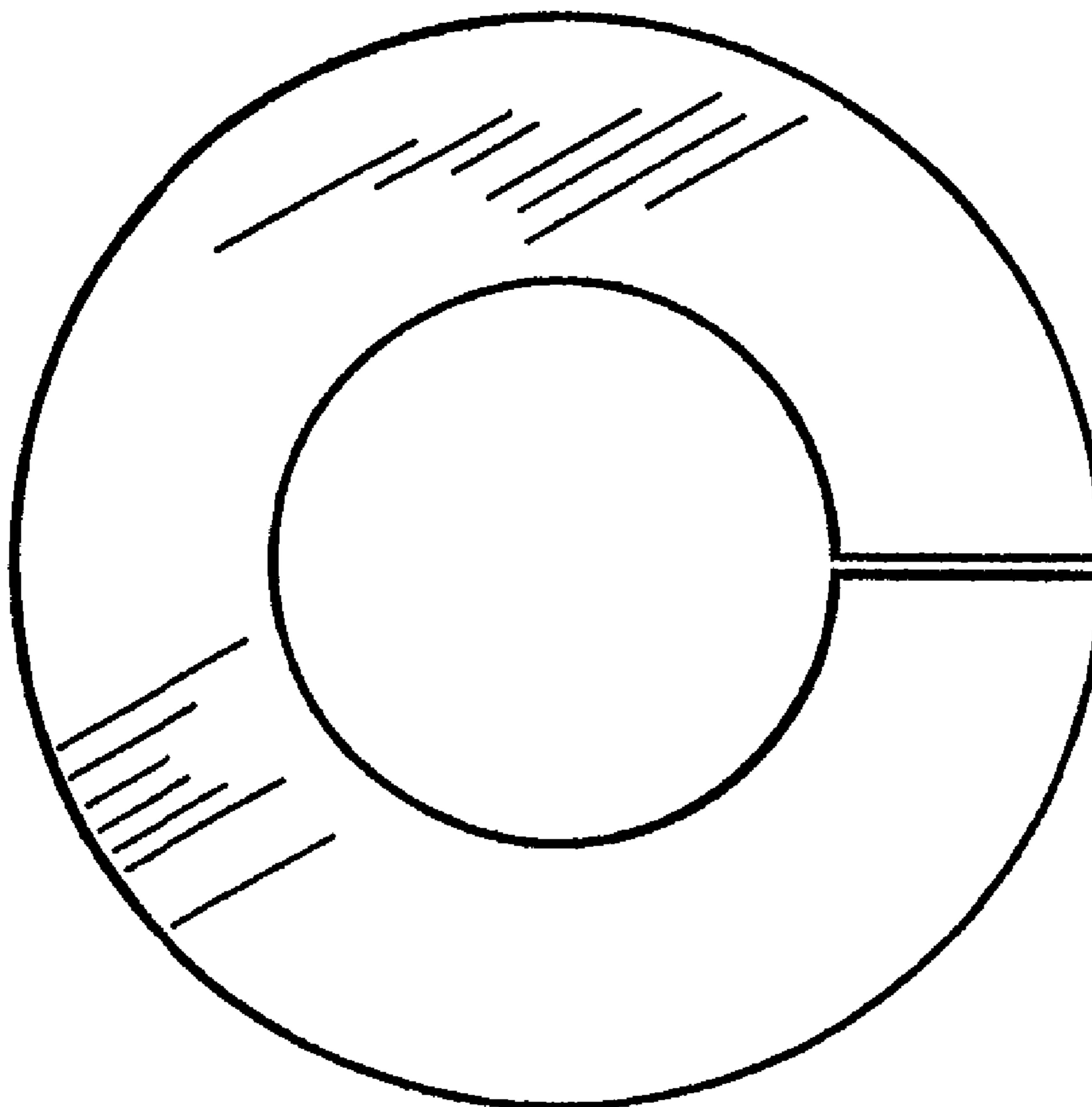


FIG.-3

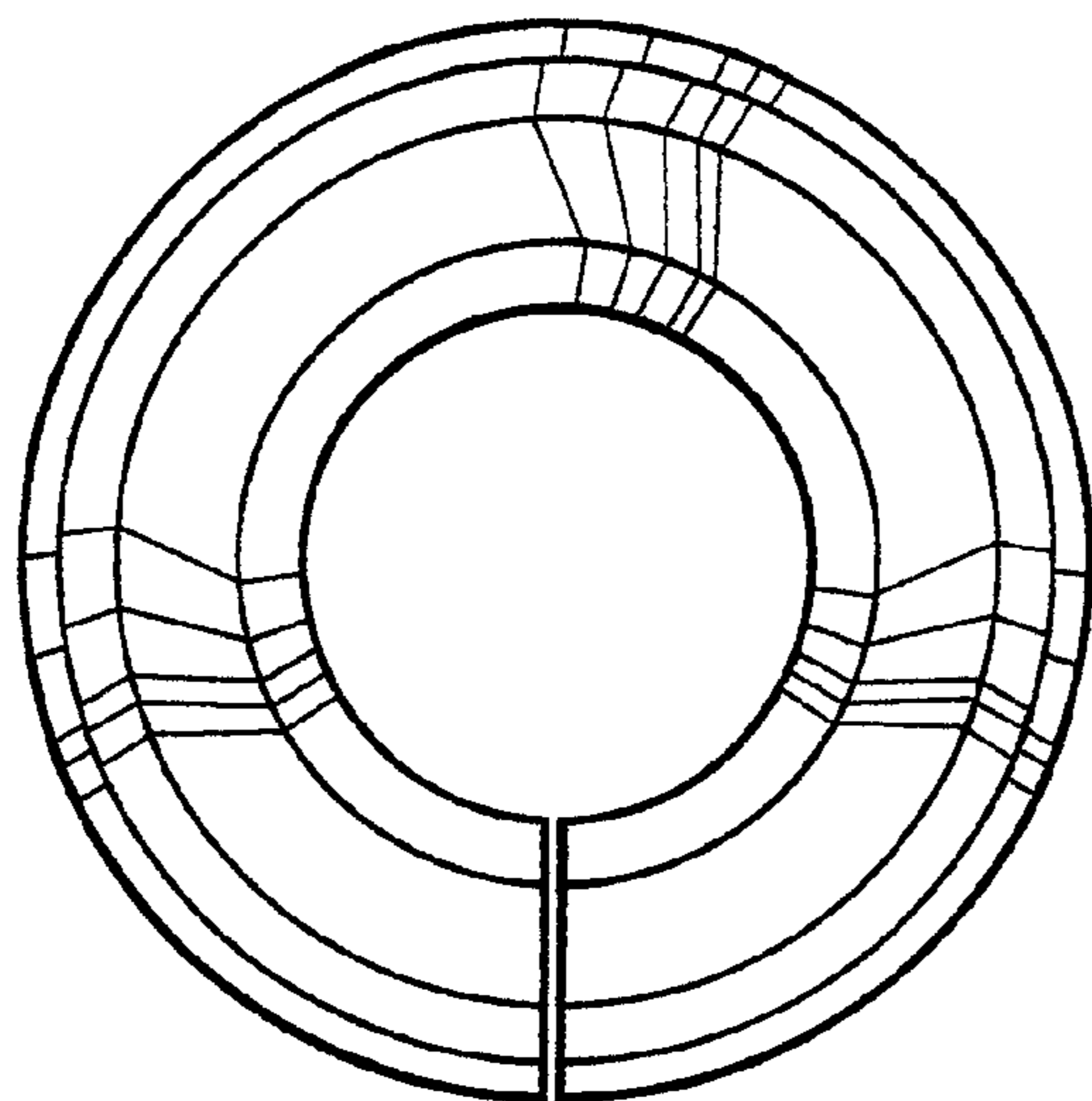


FIG.-4

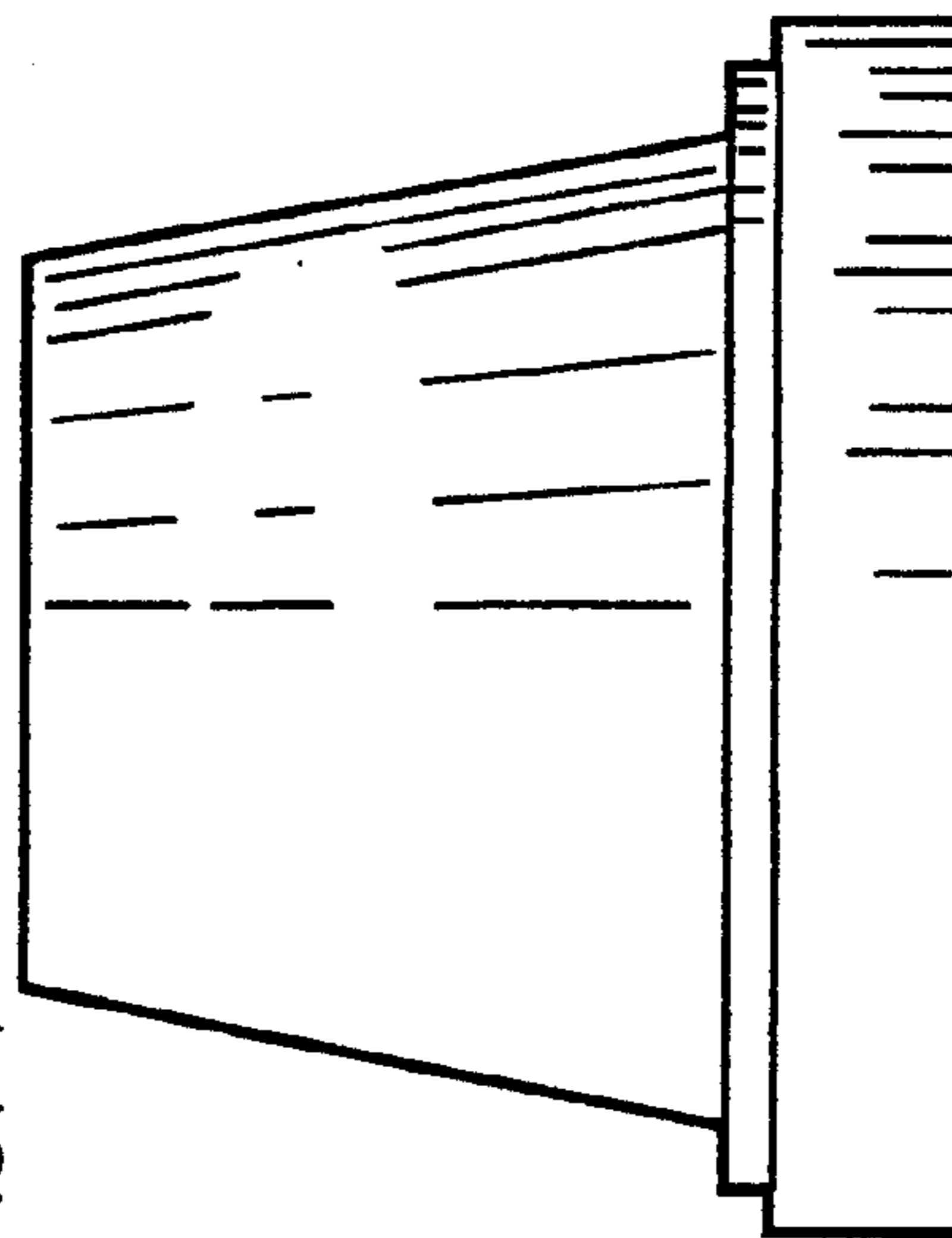


FIG.-2

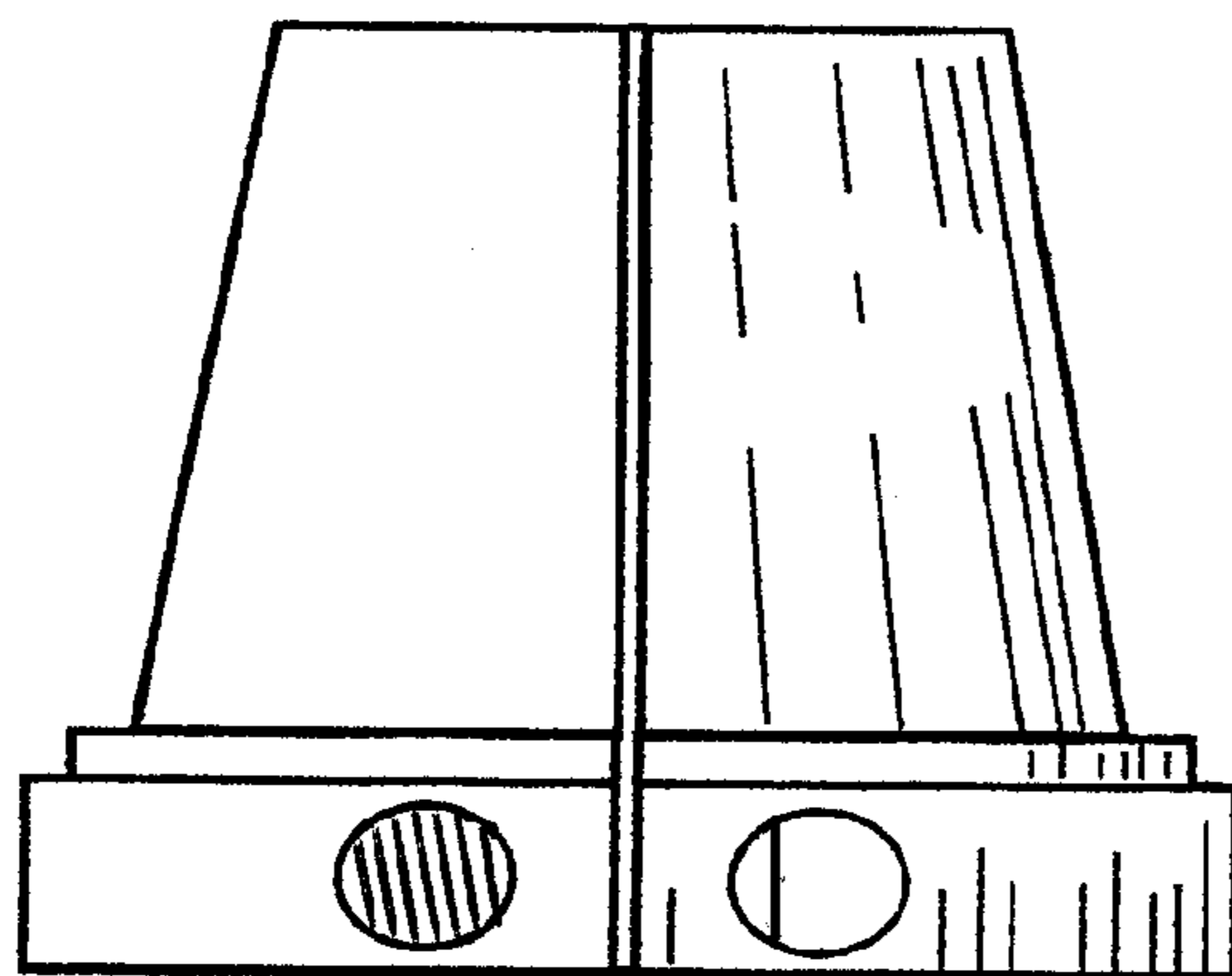
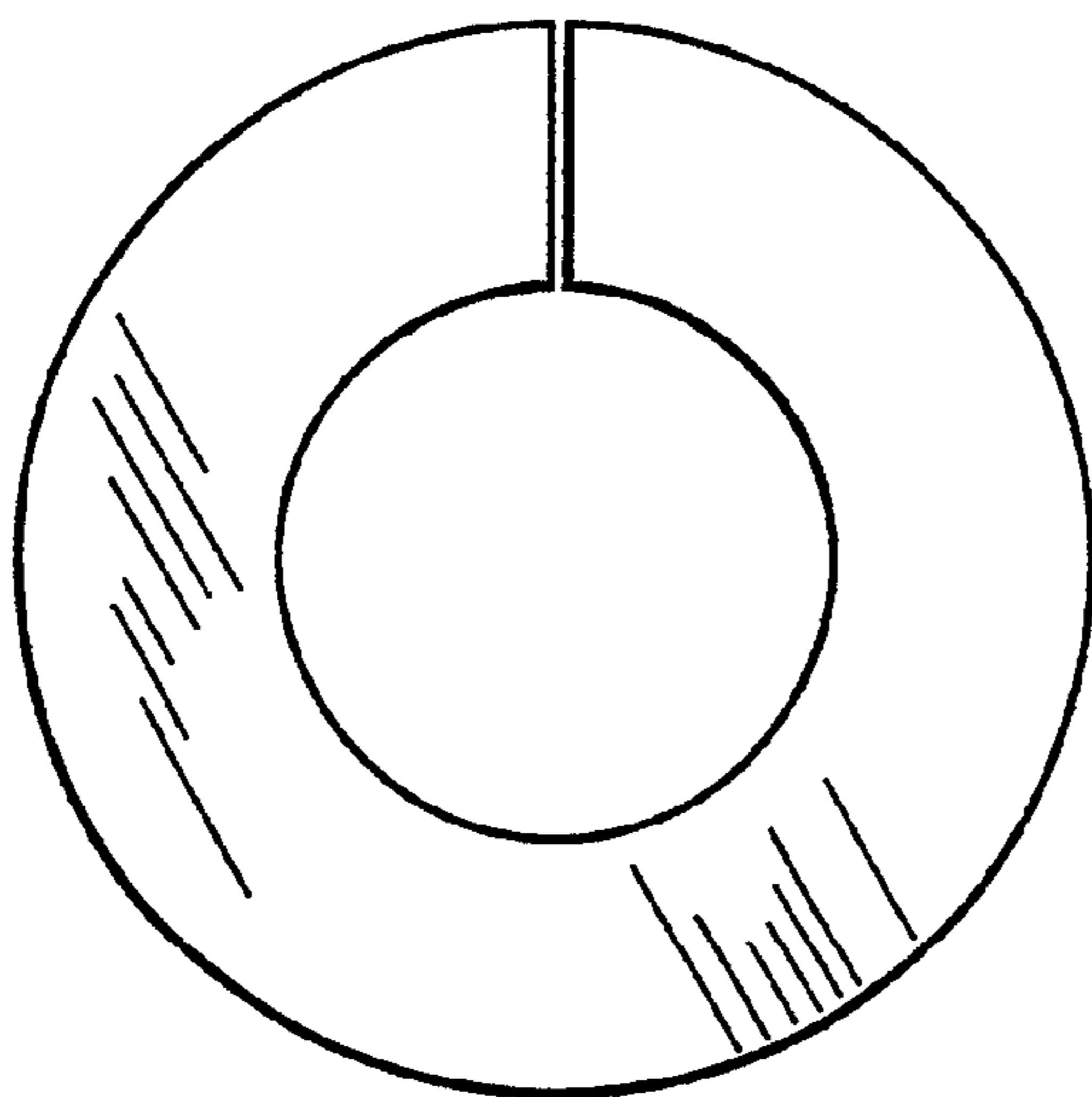


FIG.-1



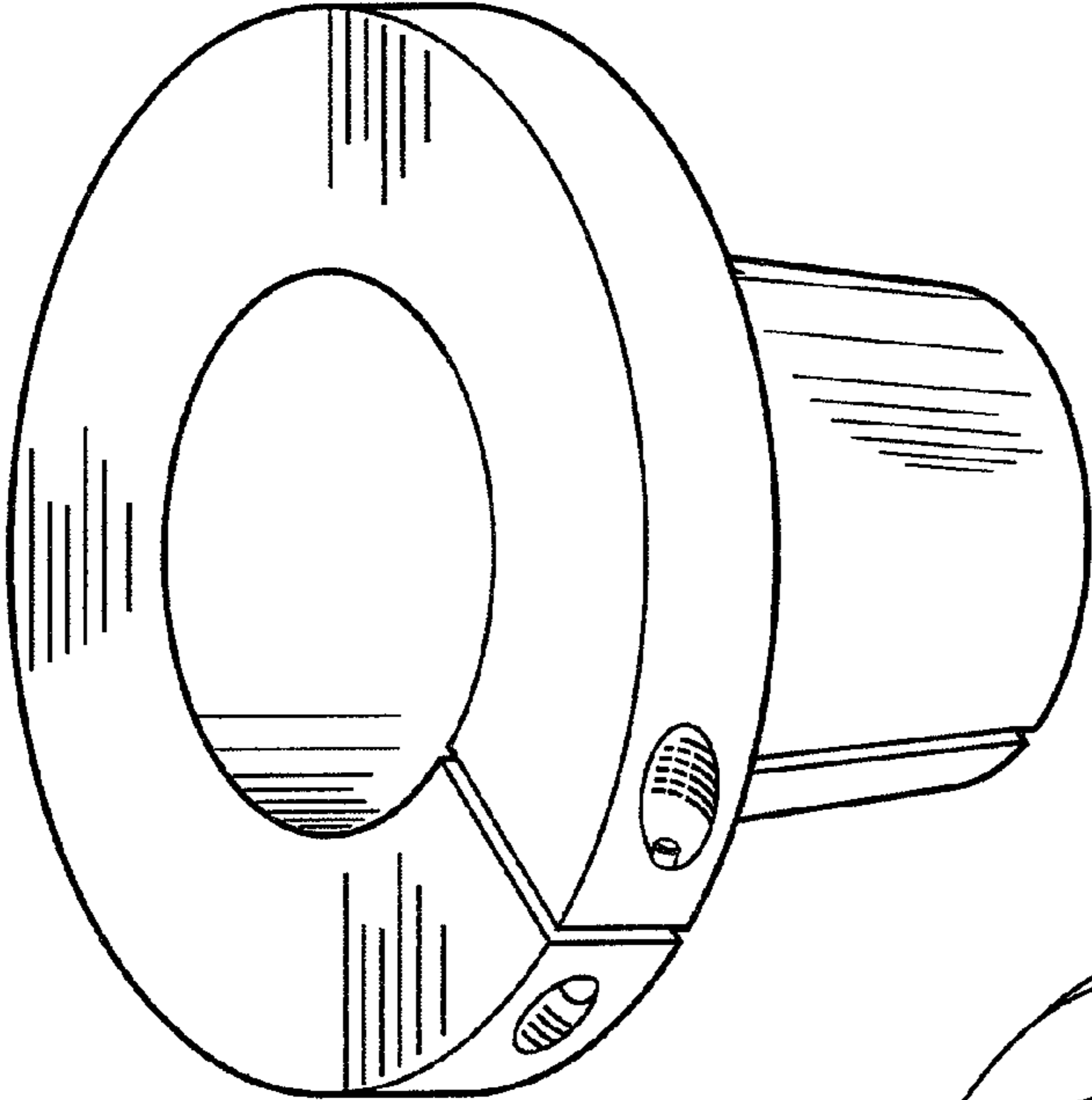


FIG.-5

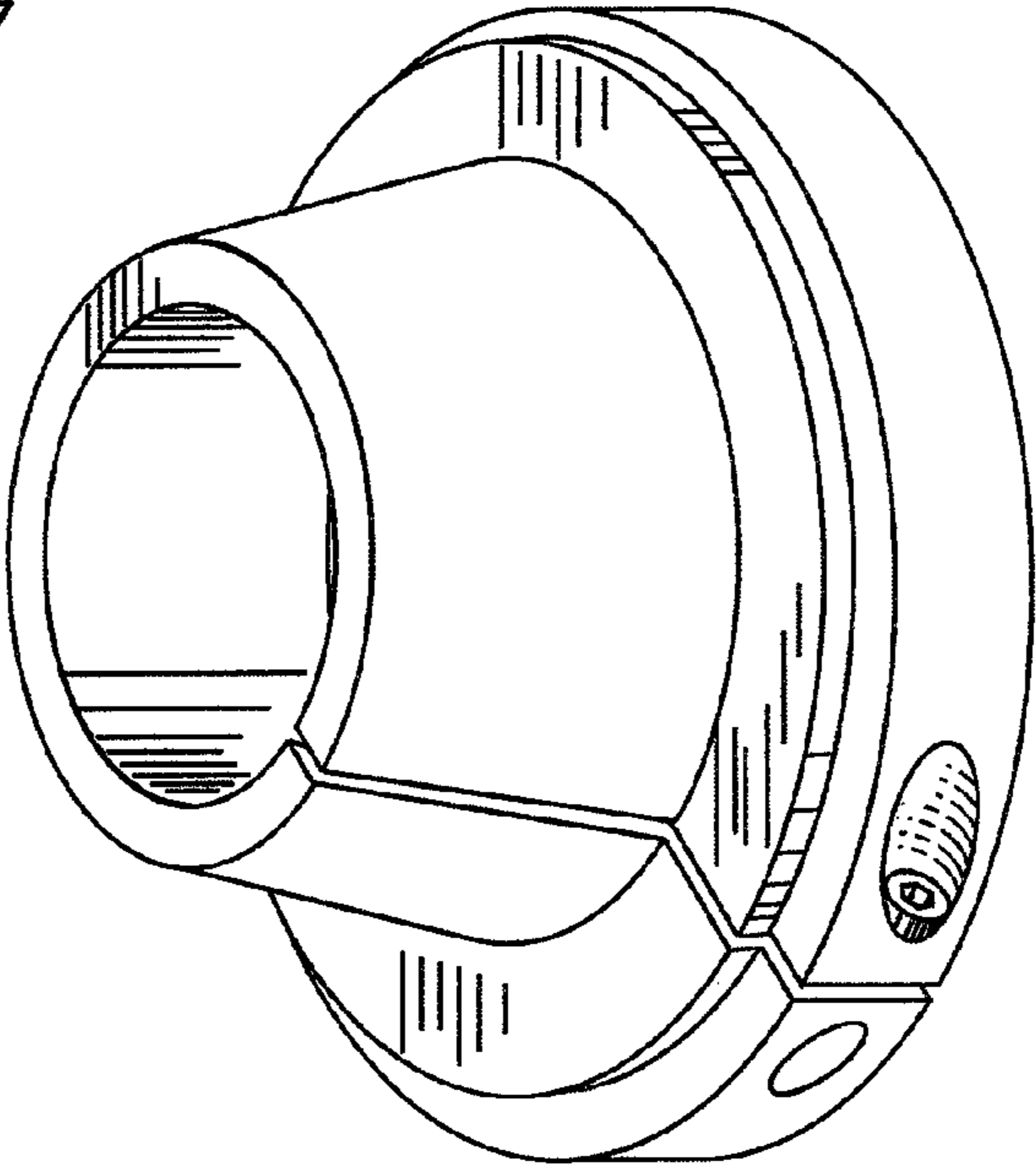


FIG.-6