



US00D696385S

(12) **United States Design Patent**
Flowers et al.

(10) **Patent No.:** **US D696,385 S**

(45) **Date of Patent:** **** *Dec. 24, 2013**

(54) **SPOUT**

(71) Applicant: **Grohe AG**, Hemer (DE)

(72) Inventors: **Paul Flowers**, Duesseldorf (DE);
Antoine Besseyre Des Horts,
Duesseldorf (DE)

(73) Assignee: **Grohe AG**, Hemer (DE)

(*) Notice: This patent is subject to a terminal disclaimer.

(**) Term: **14 Years**

(21) Appl. No.: **29/432,934**

(22) Filed: **Sep. 24, 2012**

(30) **Foreign Application Priority Data**

Mar. 22, 2012 (EM) 002013425-0025

(51) **LOC (9) Cl.** **23-02**

(52) **U.S. Cl.**
USPC **D23/238**

(58) **Field of Classification Search**
USPC D23/238-243, 250, 252, 255;
4/675-678; 137/801

See application file for complete search history.

Primary Examiner — Robert Delehanty

(74) *Attorney, Agent, or Firm* — Muncy, Geissler, Olds & Lowe, PLLC

(57) **CLAIM**

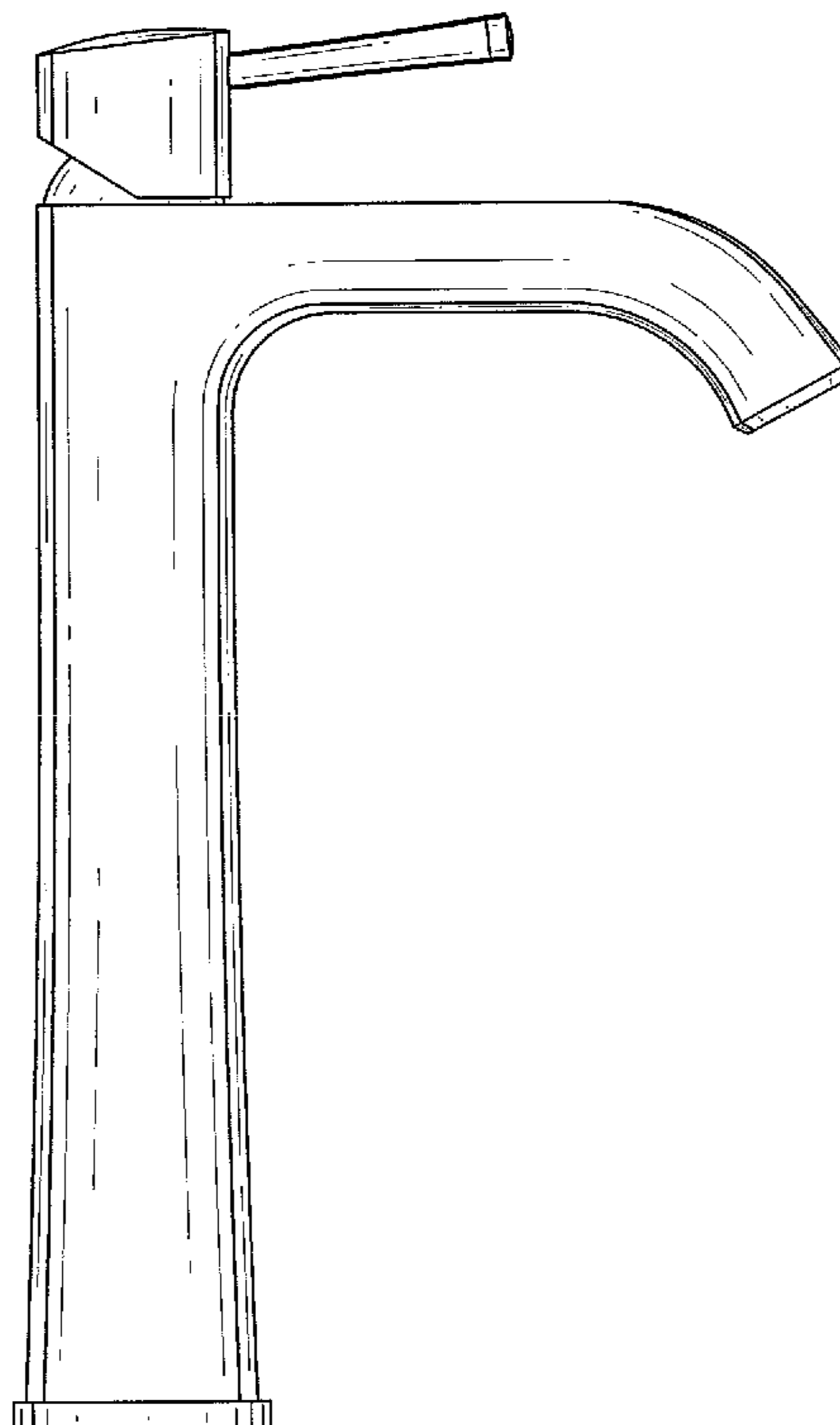
The ornamental design for a spout, as shown and described.

DESCRIPTION

FIG. 1 is a left side elevational view of a spout according to a first embodiment of the present invention; FIG. 2 is a right side elevational view of the spout of FIG. 1; FIG. 3 is a front elevational view of the spout of FIG. 1; FIG. 4 is a rear elevational view of the spout of FIG. 1; FIG. 5 is a top plan view of the spout of FIG. 1; FIG. 6 is a bottom plan view of the spout of FIG. 1; FIG. 7 is a perspective view of the spout of FIG. 1; FIG. 8 is a left side elevational view of a spout according to a second embodiment of the present invention; FIG. 9 is a right side elevational view of the spout of FIG. 8; FIG. 10 is a front elevational view of the spout of FIG. 8; FIG. 11 is a rear elevational view of the spout of FIG. 8; FIG. 12 is a top plan view of the spout of FIG. 8; FIG. 13 is a bottom plan view of the spout of FIG. 8; and, FIG. 14 is a perspective view of the spout of FIG. 8.

The dashed lines illustrate environment that does not form a part of the present invention, and no claim is made to the material illustrated with dashed lines.

1 Claim, 14 Drawing Sheets



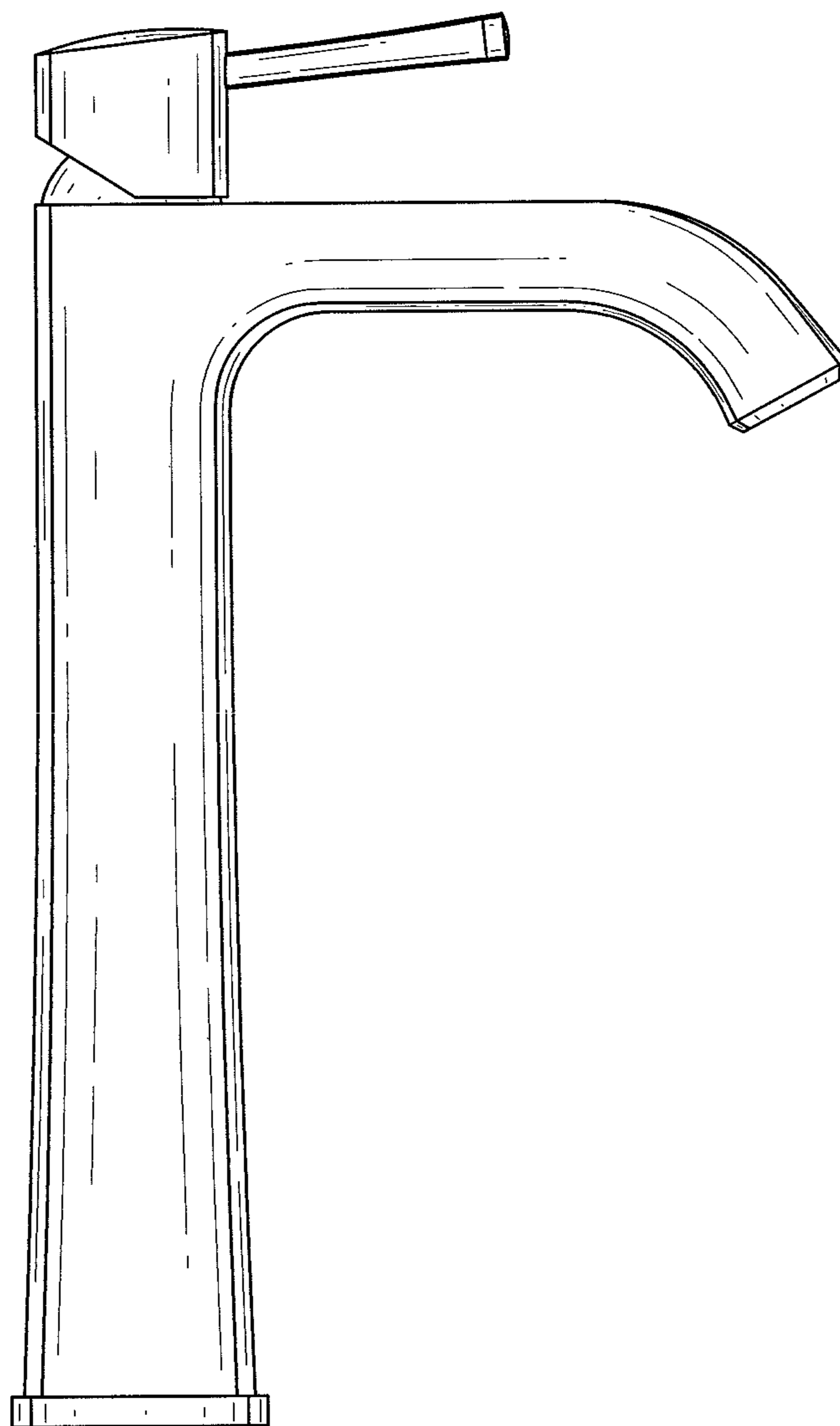


FIG. 1

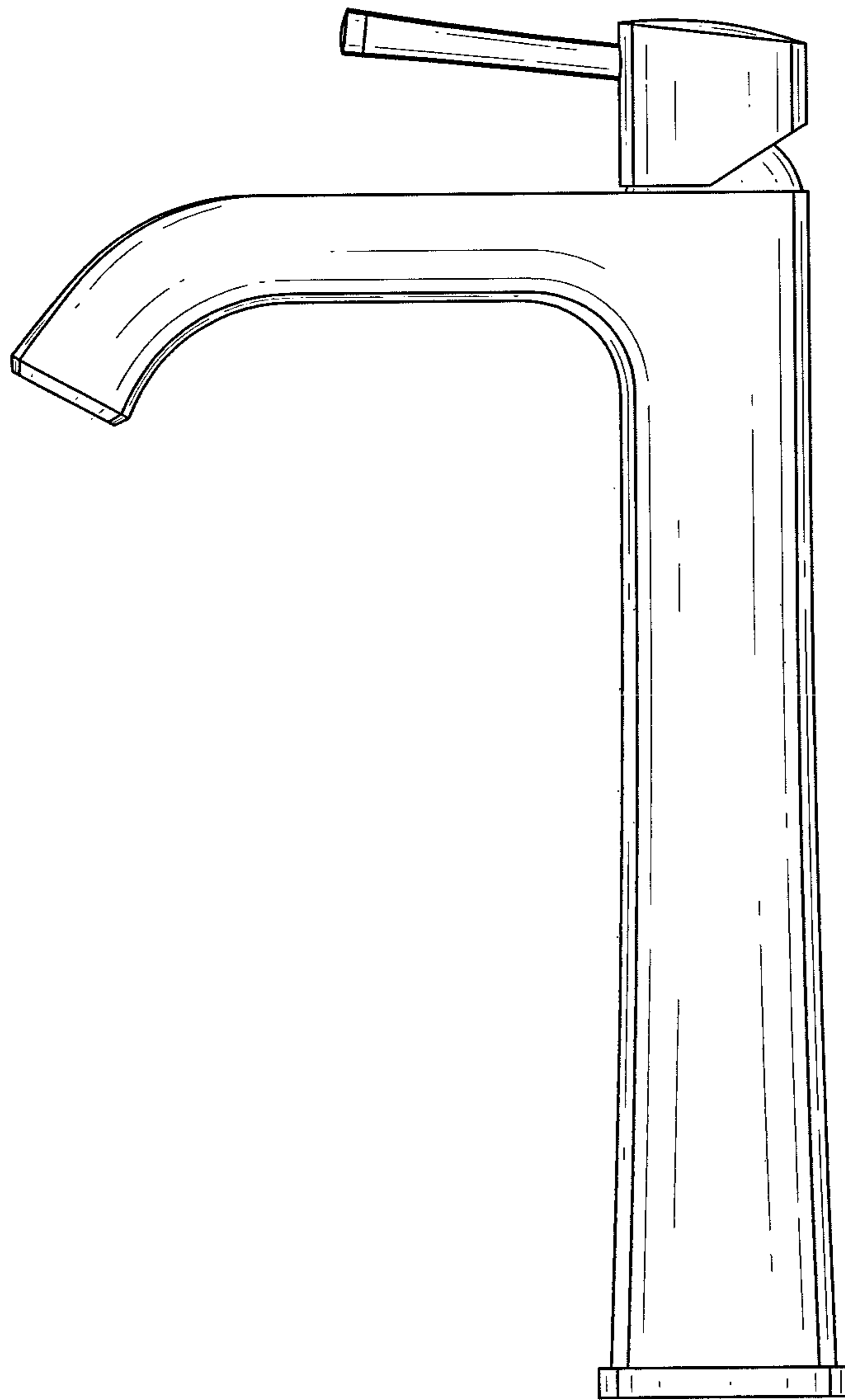


FIG. 2

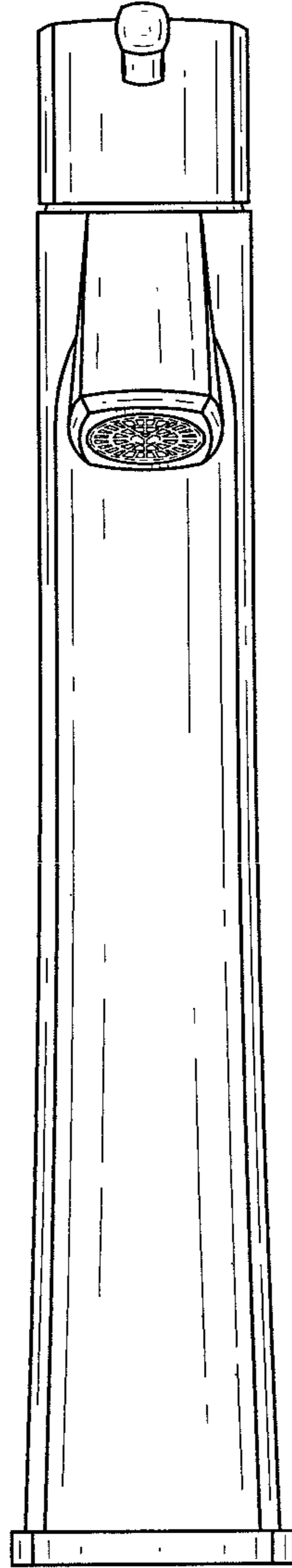


FIG.3

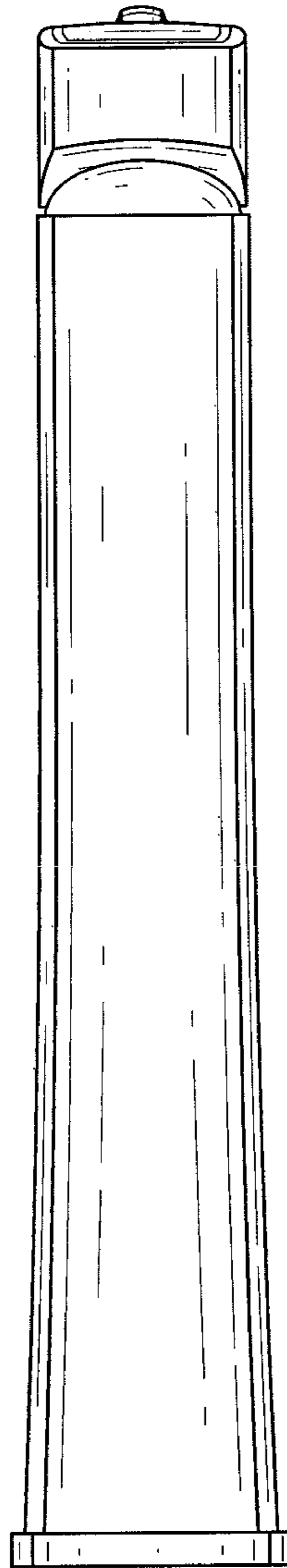


FIG.4

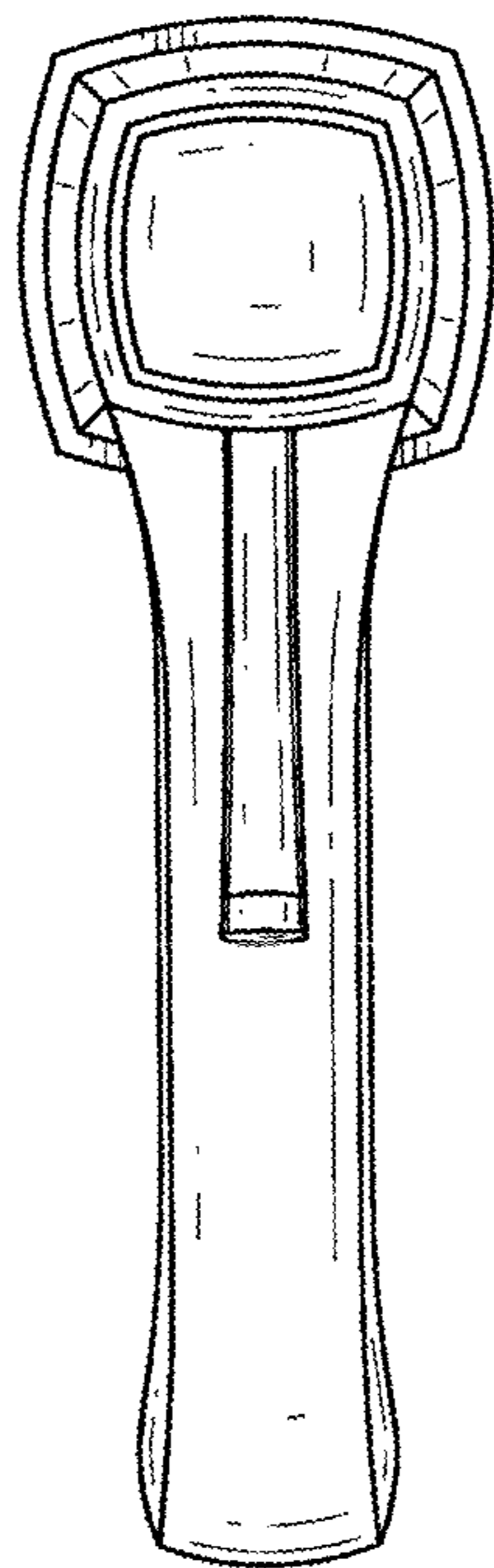


FIG.5

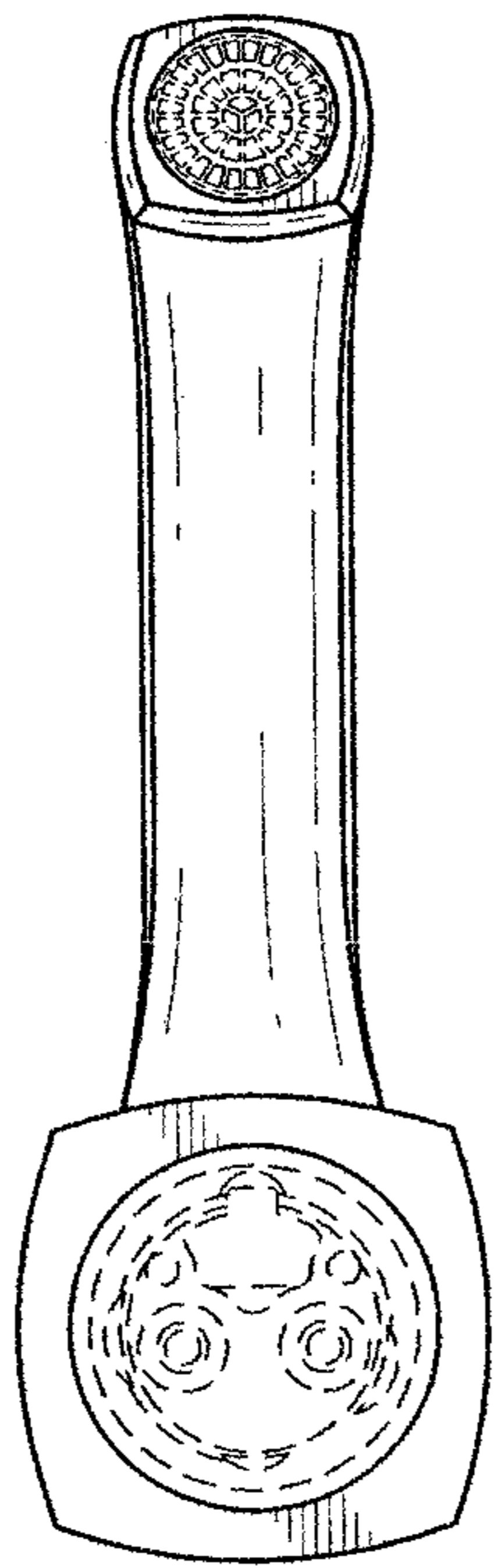


FIG.6

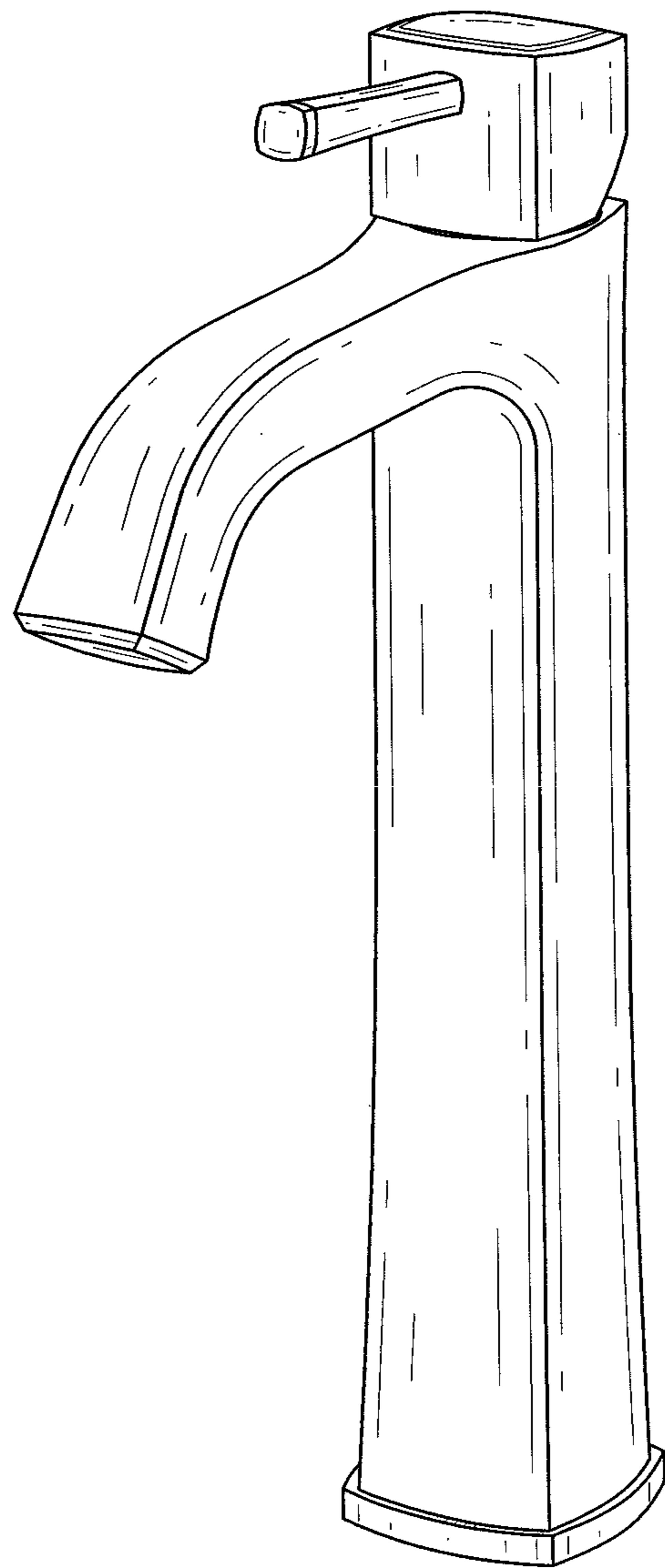


FIG.7

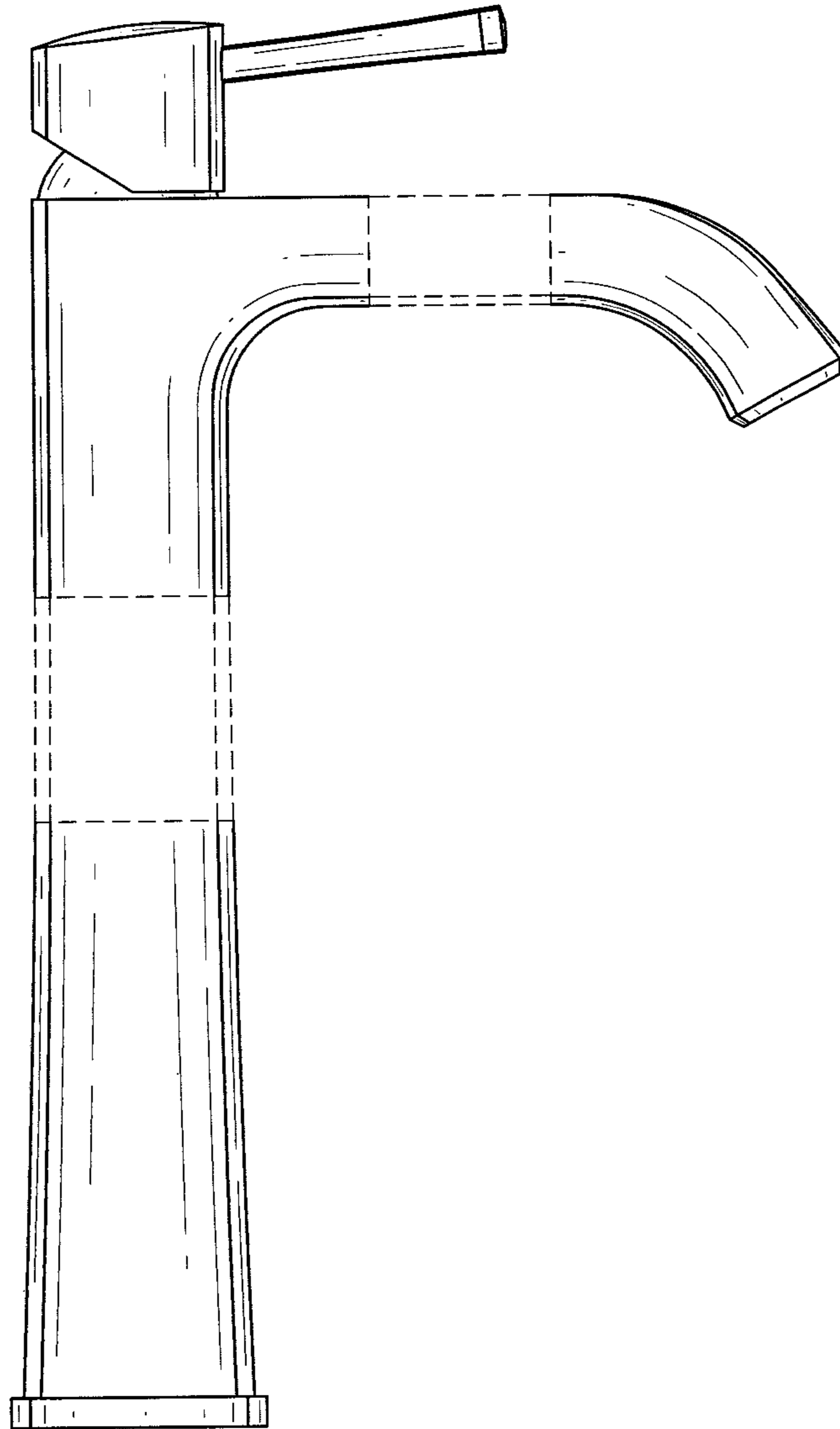


FIG.8

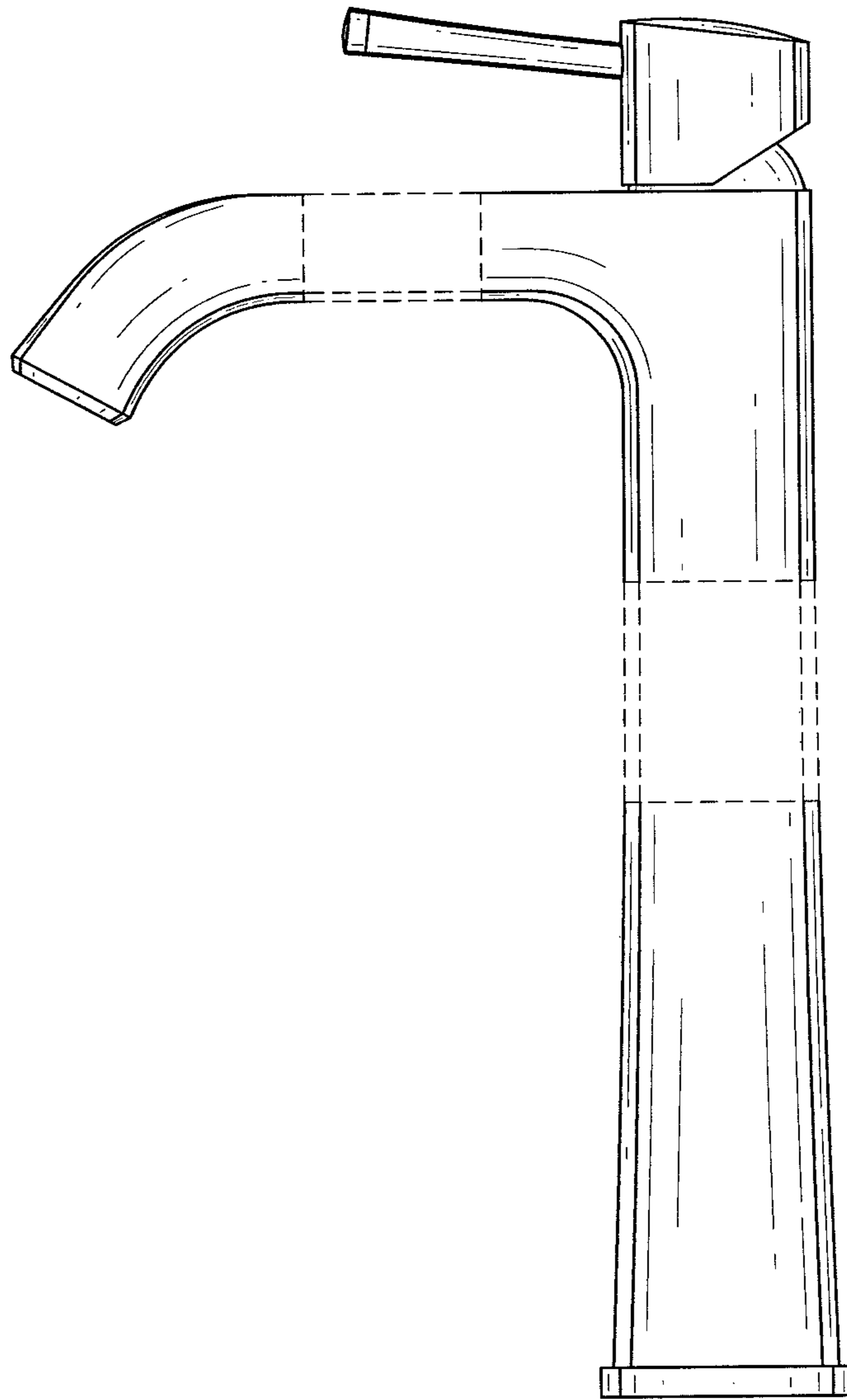


FIG.9

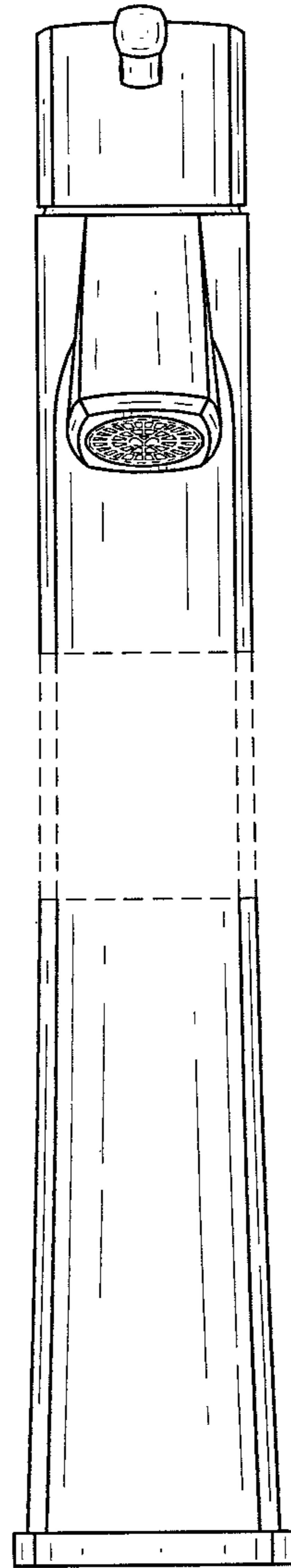


FIG.10

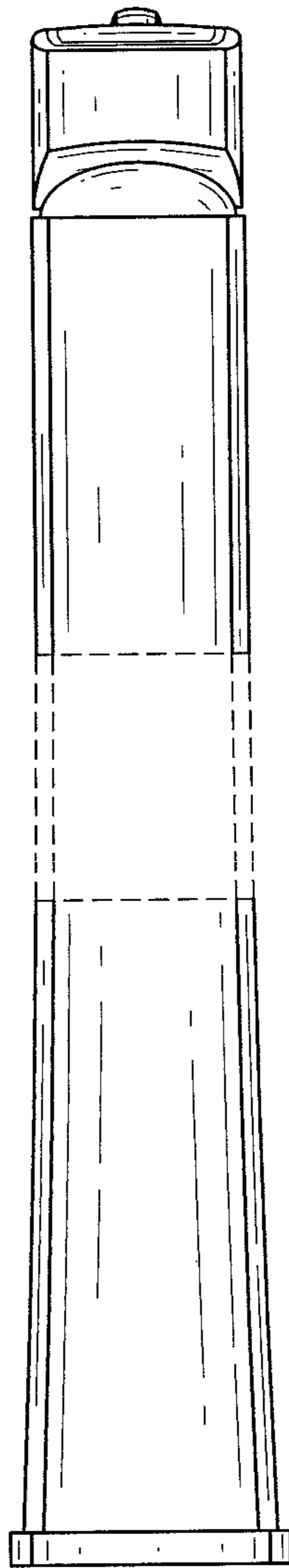


FIG.11

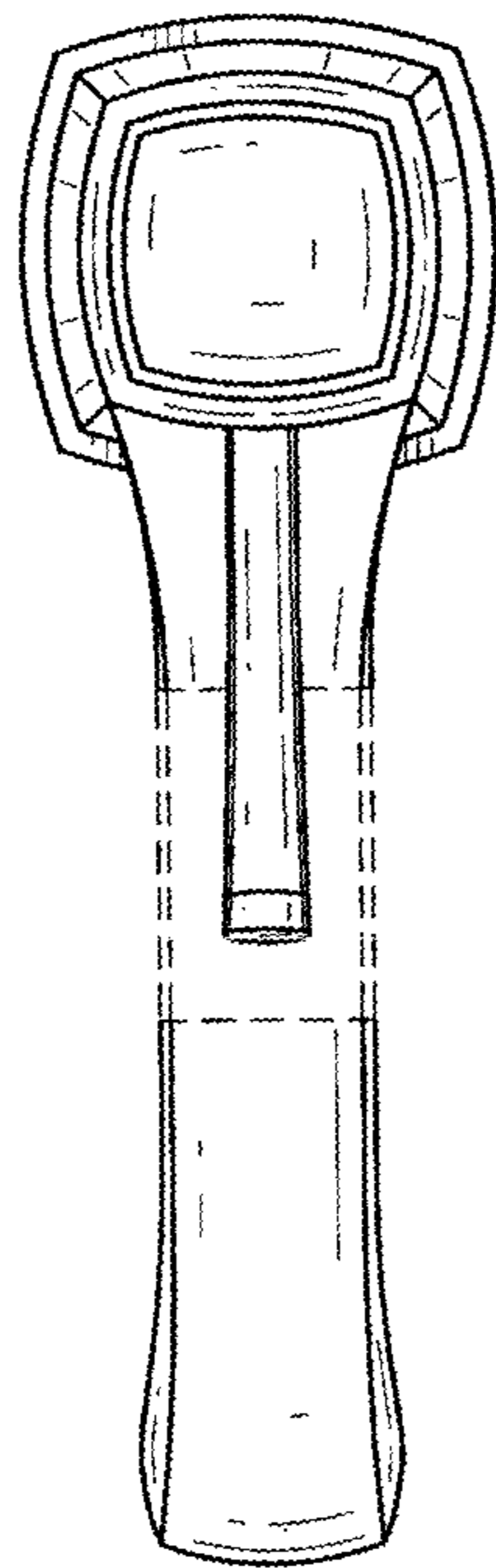


FIG.12

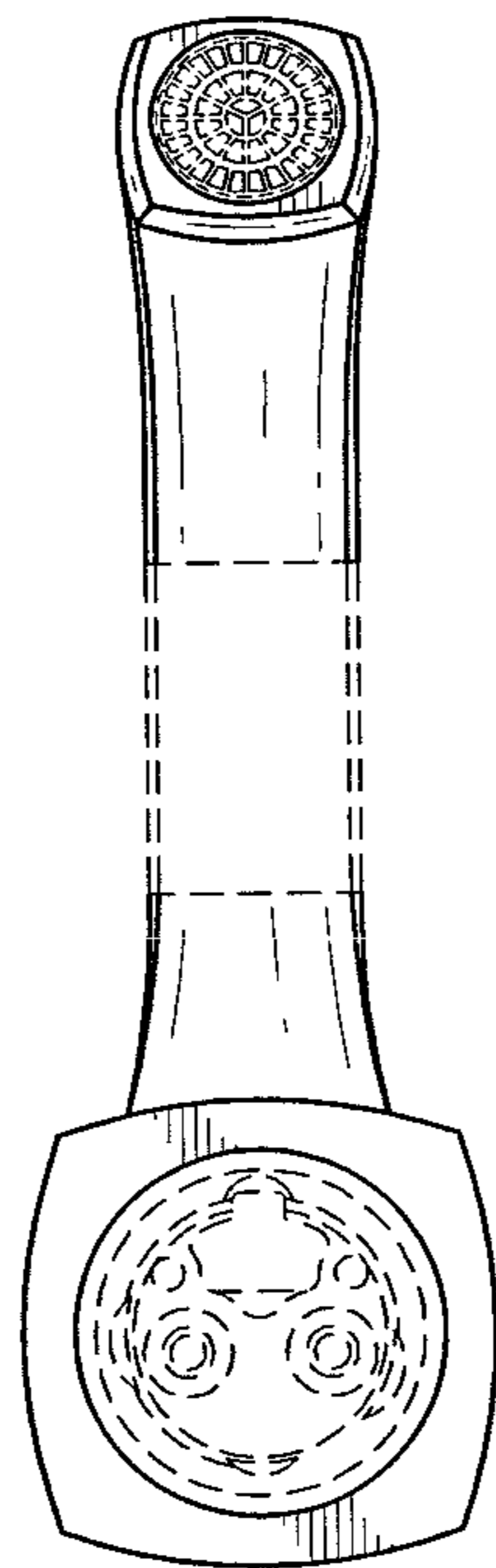


FIG.13

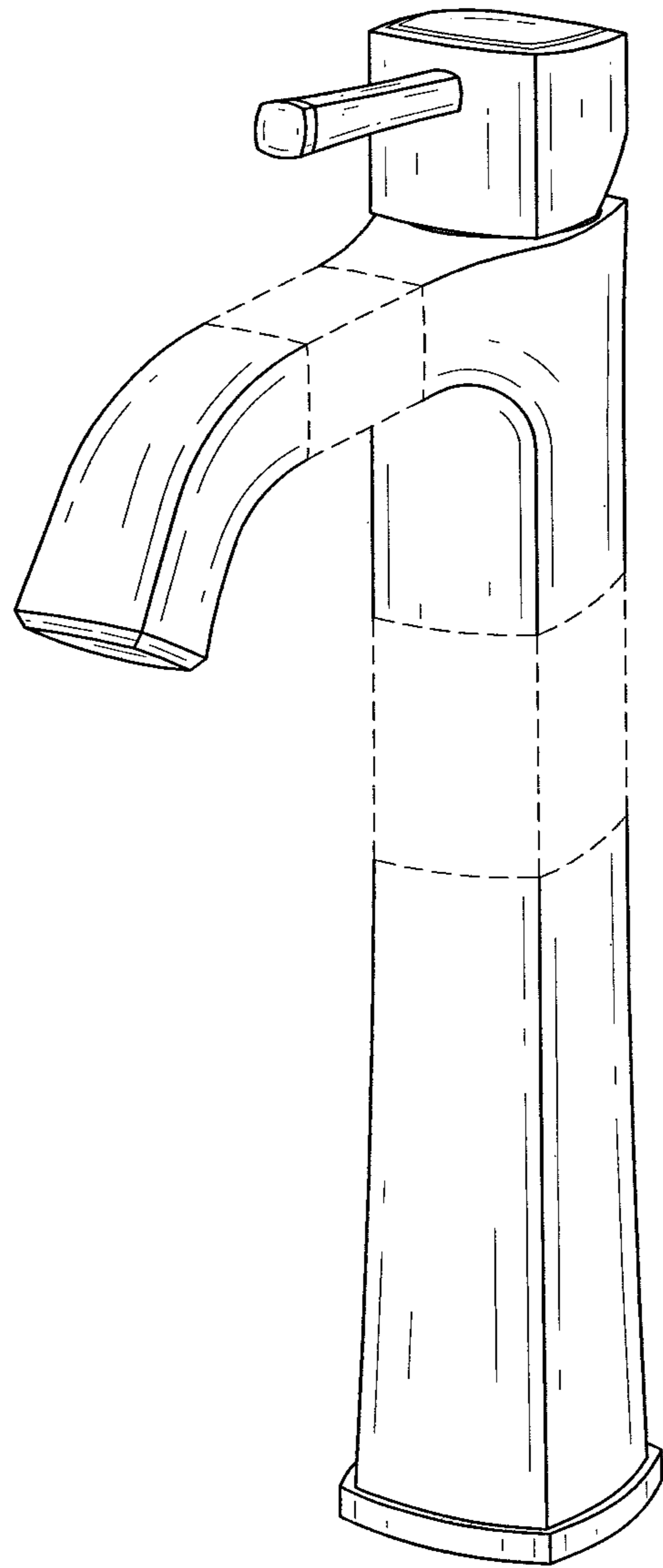


FIG.14