

US00D696384S

(12) **United States Design Patent**
Loniewski et al.

(10) **Patent No.:** **US D696,384 S**
(45) **Date of Patent:** **** Dec. 24, 2013**

(54) **COMBINED BASE AND VALVE
CONFIGURATION FOR COUNTERTOP
WATER FILTER**

(76) Inventors: **Grzegorz Loniewski**, Mount Prospect,
IL (US); **Scott Anthony Nightlinger**,
Arlington Heights, IL (US); **Jadwiga
Loniewska**, Mount Prospect, IL (US)

(**) Term: **14 Years**

(21) Appl. No.: **29/374,068**

(22) Filed: **Jun. 30, 2011**

(51) **LOC (9) Cl.** **23-01**

(52) **U.S. Cl.**
USPC **D23/233**

(58) **Field of Classification Search**
USPC D23/233–237, 244–249; 210/232, 282,
210/287, 419, 429, 451, 456; D8/336, 338;
138/89; 220/237, 318; 215/359
See application file for complete search history.

(56) **References Cited**

U.S. PATENT DOCUMENTS

3,672,403	A *	6/1972	Wilson et al.	138/89
4,415,005	A *	11/1983	Janzen	138/96 T
4,881,597	A *	11/1989	Hensley	166/92.1
D329,686	S *	9/1992	Mathison et al.	D23/249
D329,687	S *	9/1992	Benson et al.	D23/249

(Continued)

Primary Examiner — Cynthia Ramirez

(57) **CLAIM**

The ornamental design for a combined base and valve configuration for a countertop water filter, as shown and described.

DESCRIPTION

FIG. 1 is a front elevational view of the first variant of our new design, illustrating the characteristic features of the design residing in its base and valve configuration being situated in a horizontal position.

FIG. 2 is a right side elevational view of the design illustrated in FIG. 1.

FIG. 3 is a left side elevational view of the design illustrated in FIG. 1.

FIG. 4 is a top elevational view of the design illustrated in FIG. 1.

FIG. 5 is a top elevational view of the design illustrated in FIG. 1 with a broken away portion of the base for better illustrating the characteristic features of the design.

FIG. 6 is a bottom elevational view of the design shown in FIG. 1.

FIG. 7 is a front elevational view of the second variant of our new design, illustrating the characteristic features of the design residing in its base and valve configuration being situated in a horizontally inverted position from FIG. 1.

FIG. 8 is a left side elevational view of the design illustrated in FIG. 7.

FIG. 9 is a right side elevational view of the design illustrated in FIG. 7.

FIG. 10 is a top elevational view of the design illustrated in FIG. 7.

FIG. 11 is a top elevational view of the design illustrated in FIG. 7 with a broken away portion of the base for better illustrating the characteristic features of the design.

FIG. 12 is a bottom elevational view of the design shown in FIG. 7.

FIG. 13 is a front elevational view of the third variant of our new design, illustrating the characteristic features of the design residing in its base and valve configuration, wherein the valve is situated in a vertical position.

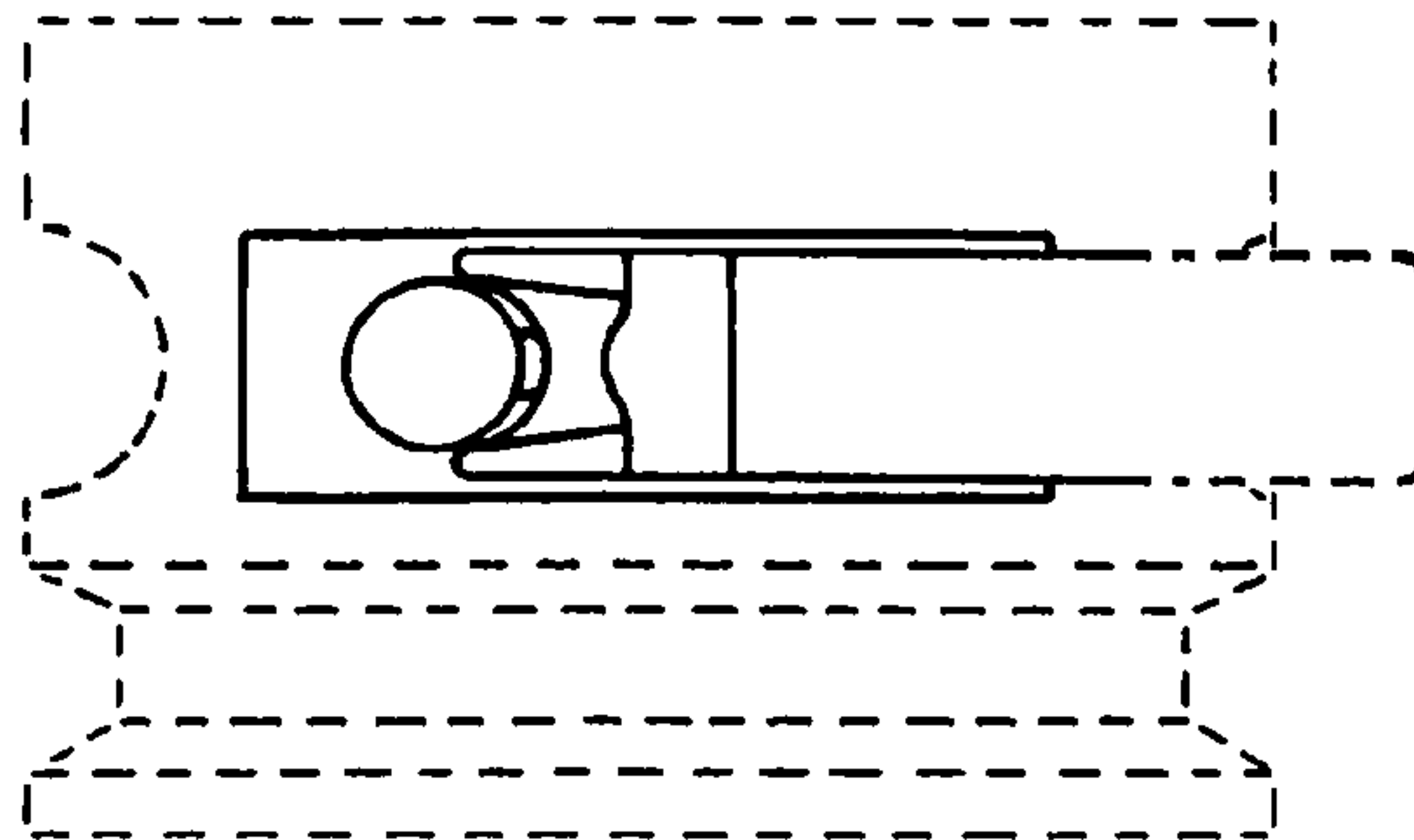
FIG. 14 is a side elevational view of the design illustrated in FIG. 13, the opposite side being a mirror image thereof.

FIG. 15 is a bottom elevational view of the design illustrated in FIG. 13; and,

FIG. 16 is a top elevational view of the design illustrated in FIG. 13.

The broken line portions shown in the drawings are for illustrative purposes only and form no part of the claimed design or a specified variation thereof.

1 Claim, 5 Drawing Sheets



US D696,384 S

Page 2

(56)

References Cited

U.S. PATENT DOCUMENTS

D347,880 S * 6/1994 Benson D23/233
5,348,085 A * 9/1994 Benson 166/92.1

D453,206 S * 1/2002 Hsiao D23/235
6,883,546 B1 * 4/2005 Kobylinski 138/89
7,354,513 B2 4/2008 Nightlinger et al.

* cited by examiner

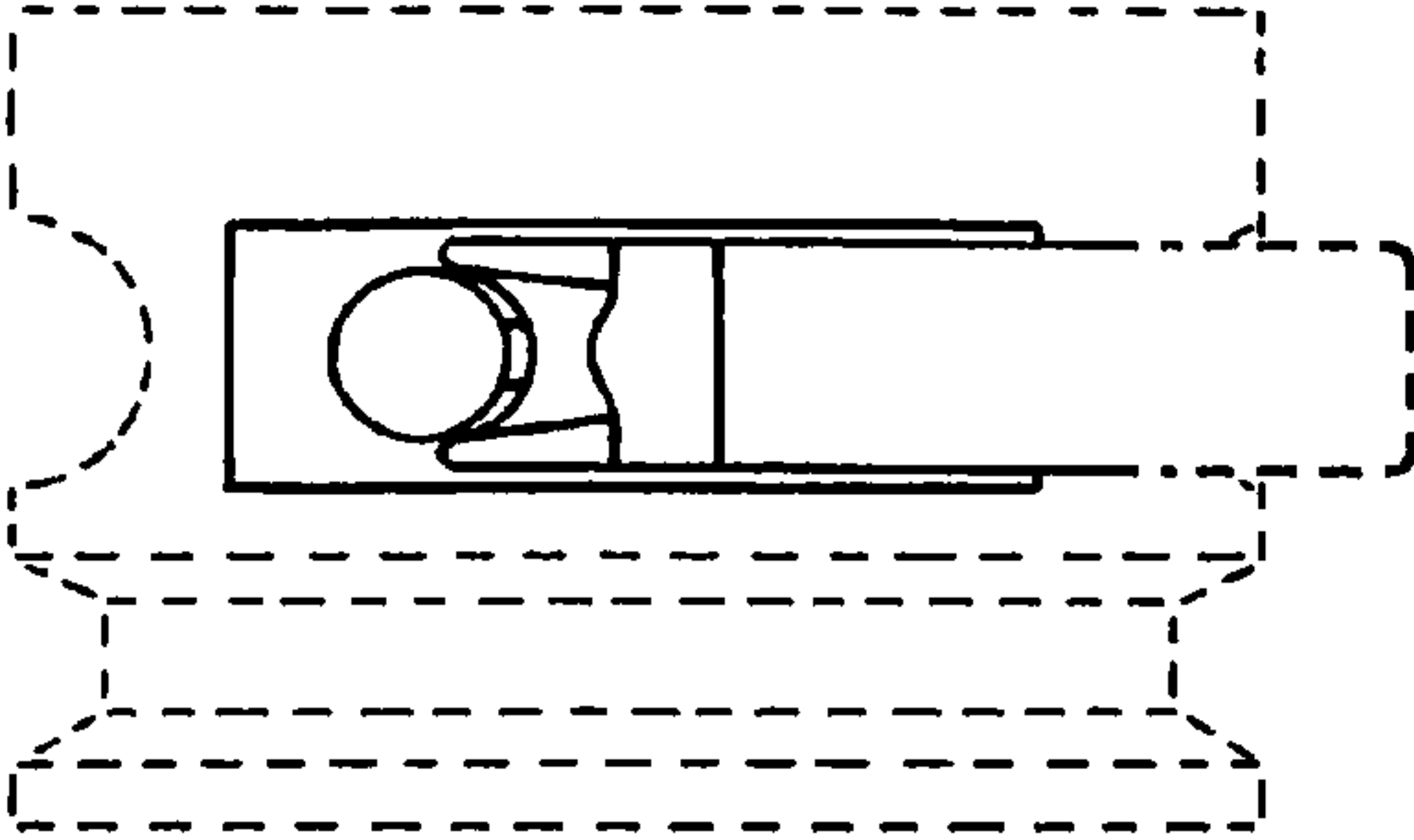


Fig. 1

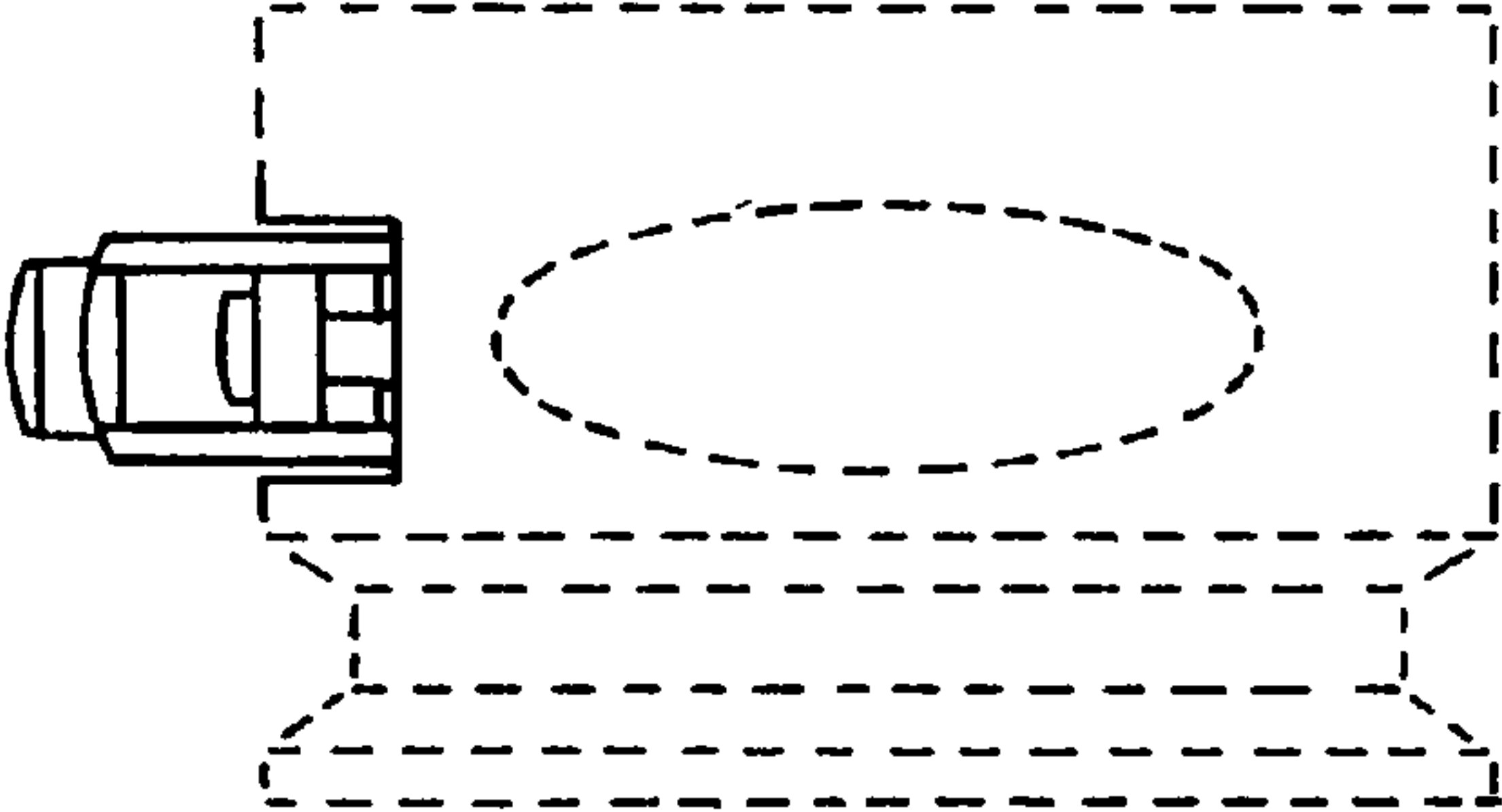


Fig. 2

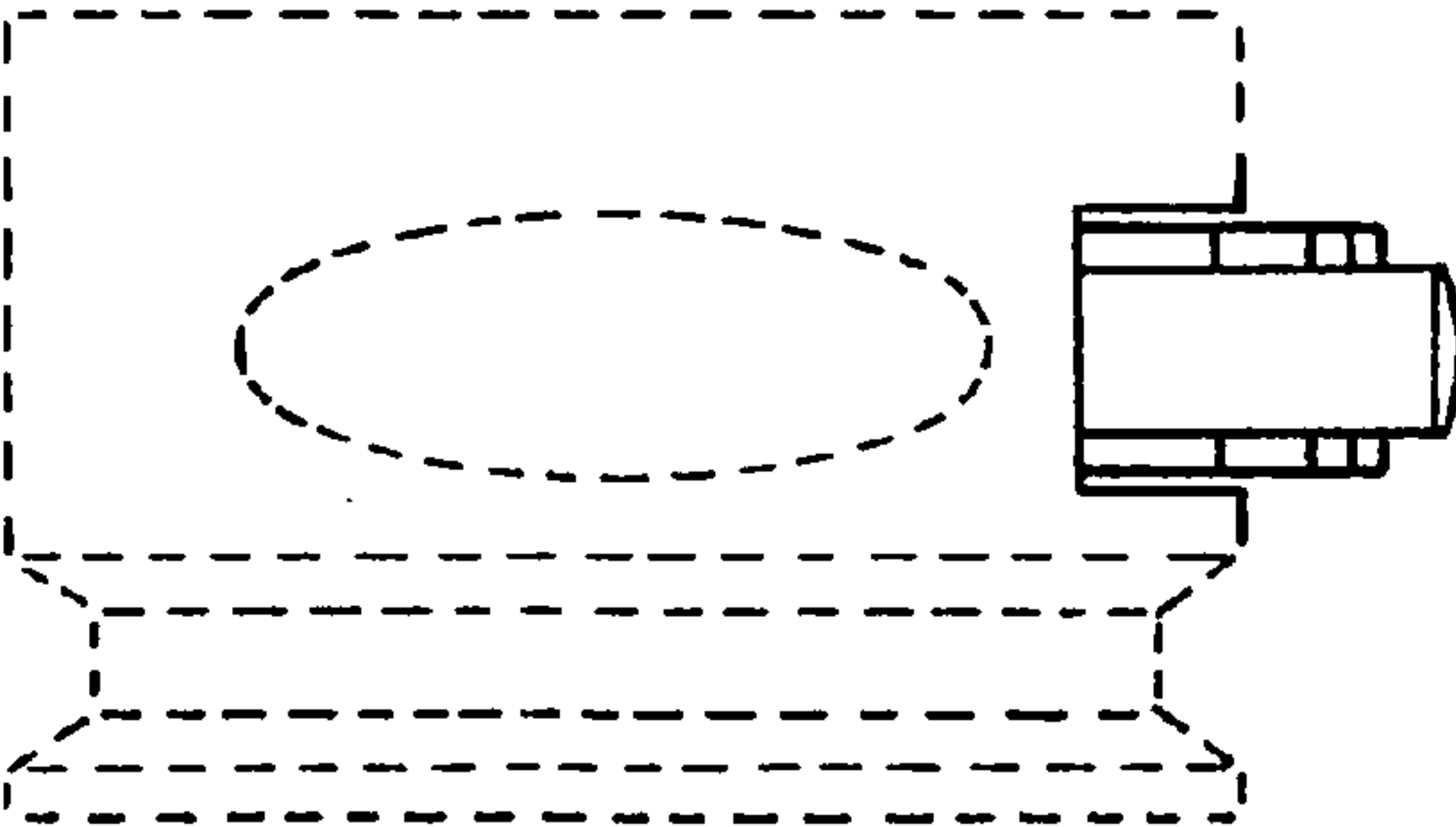


Fig. 3

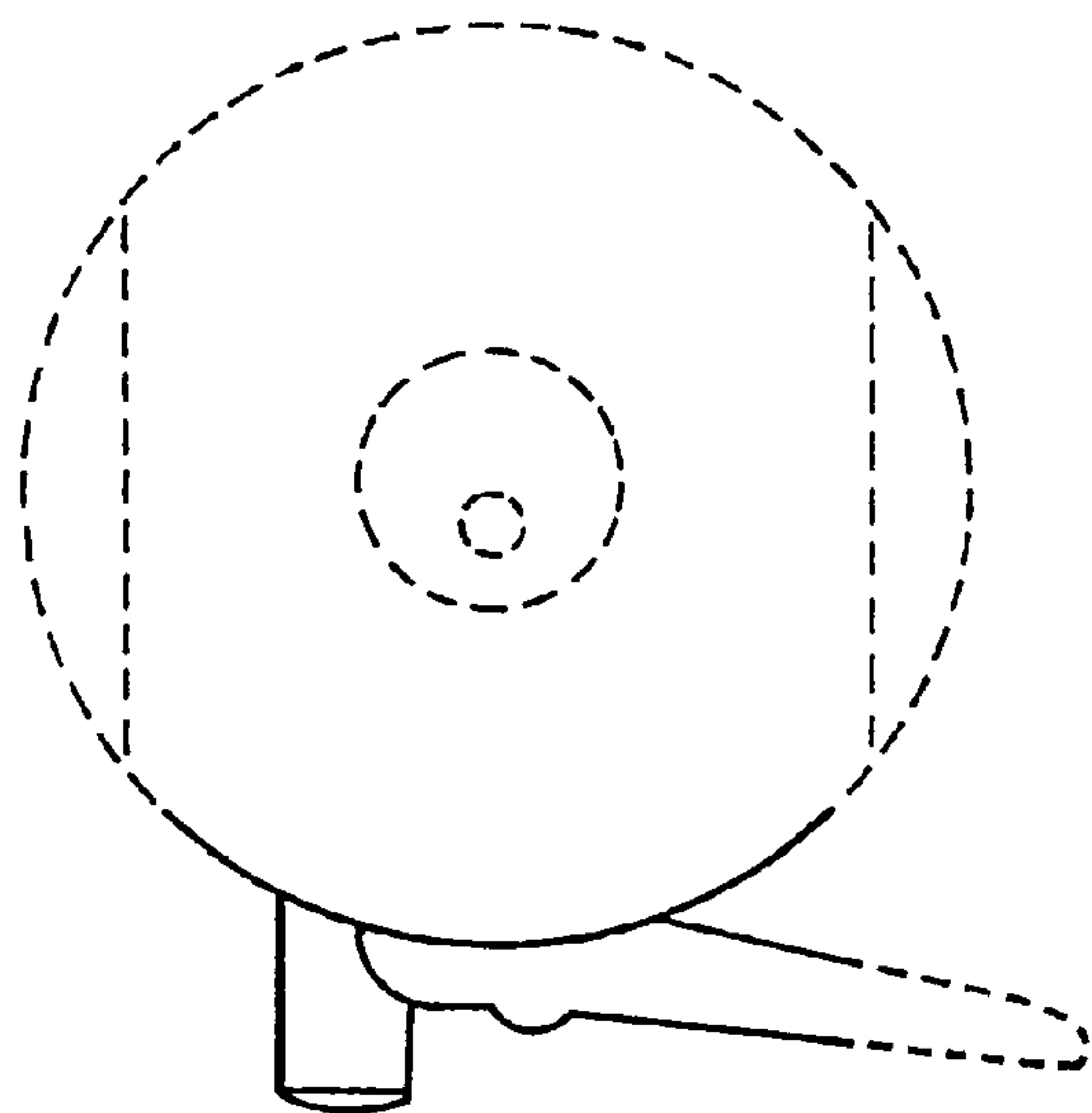


Fig. 4

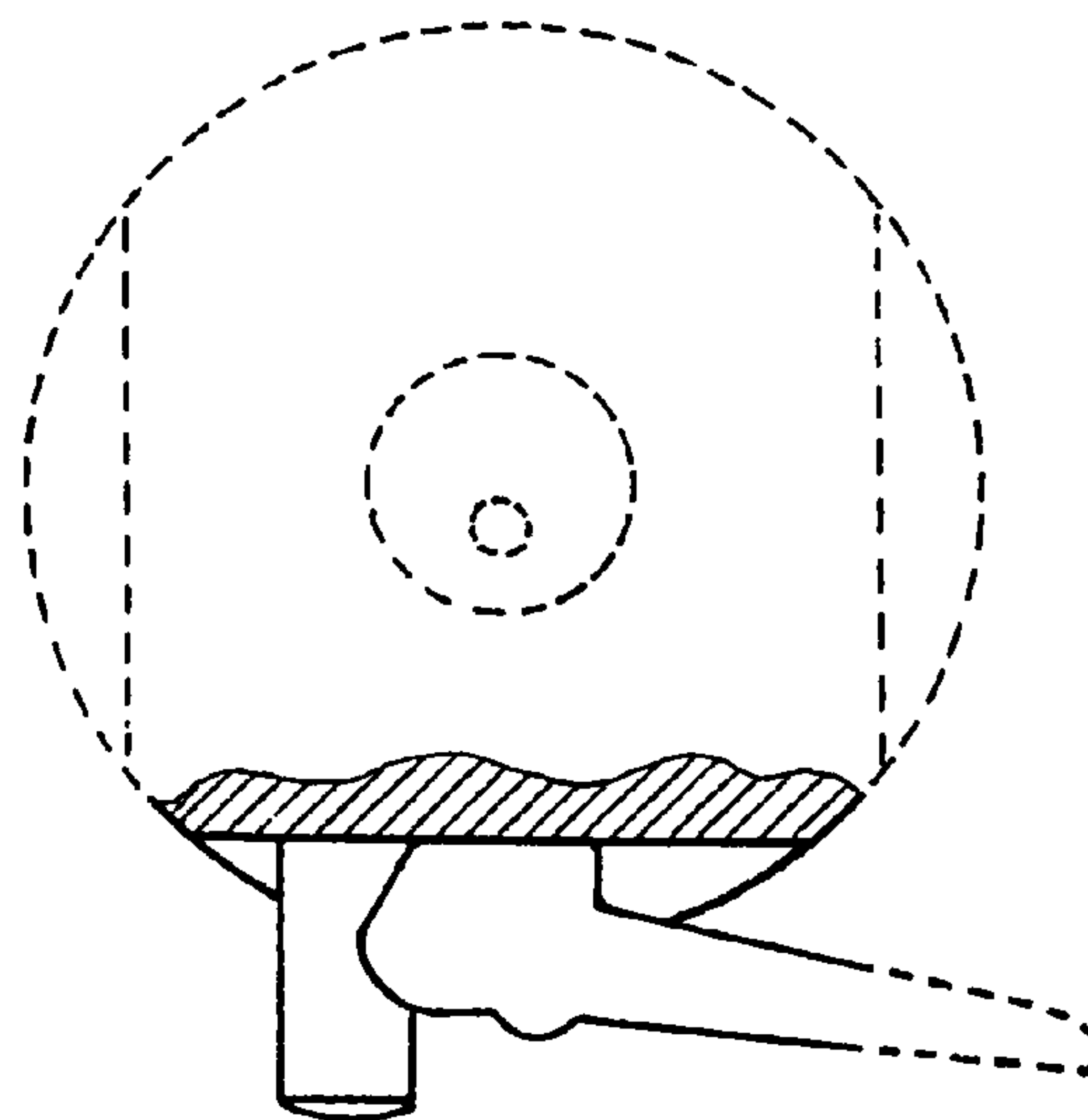


Fig. 5

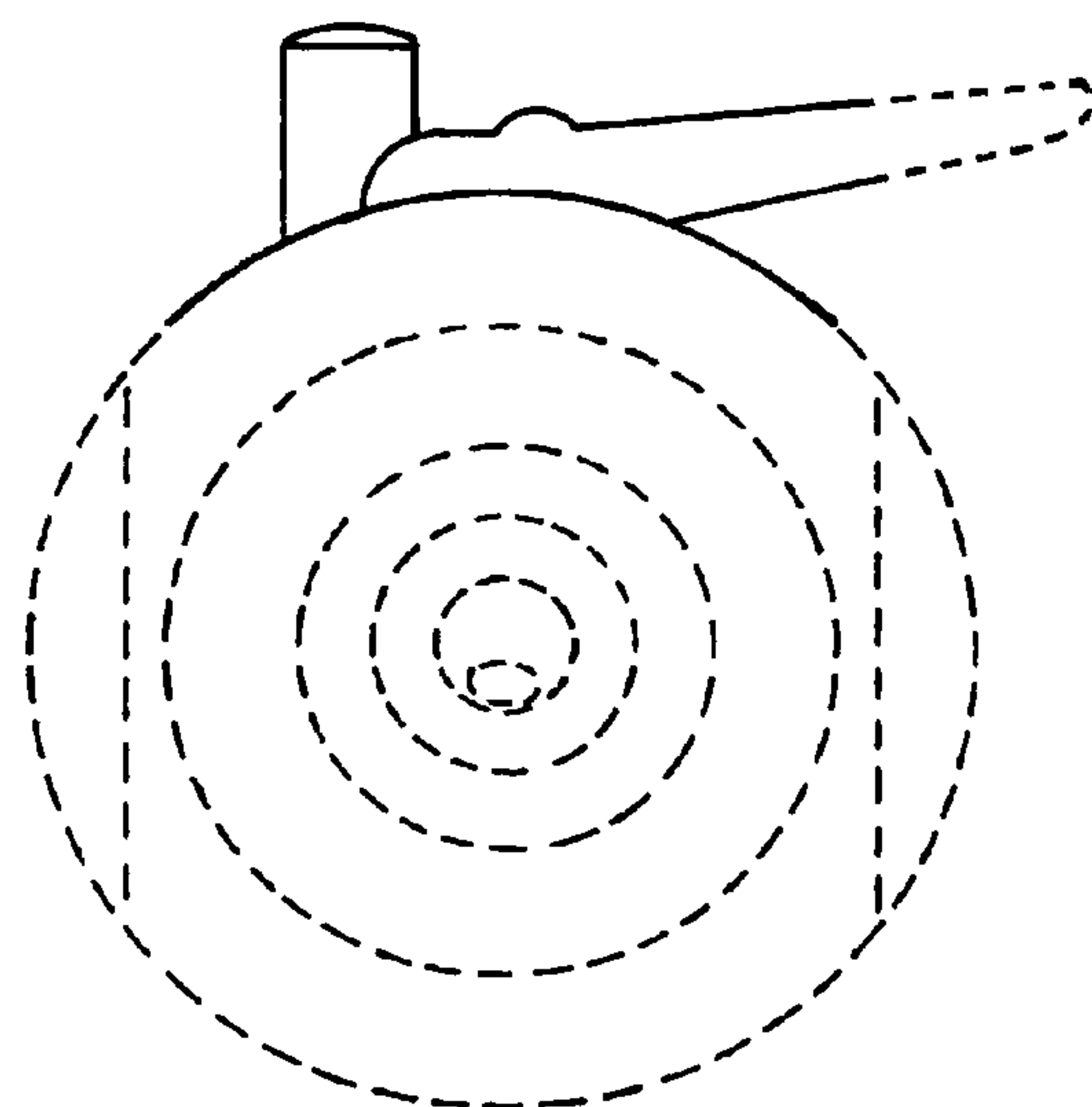


Fig. 6

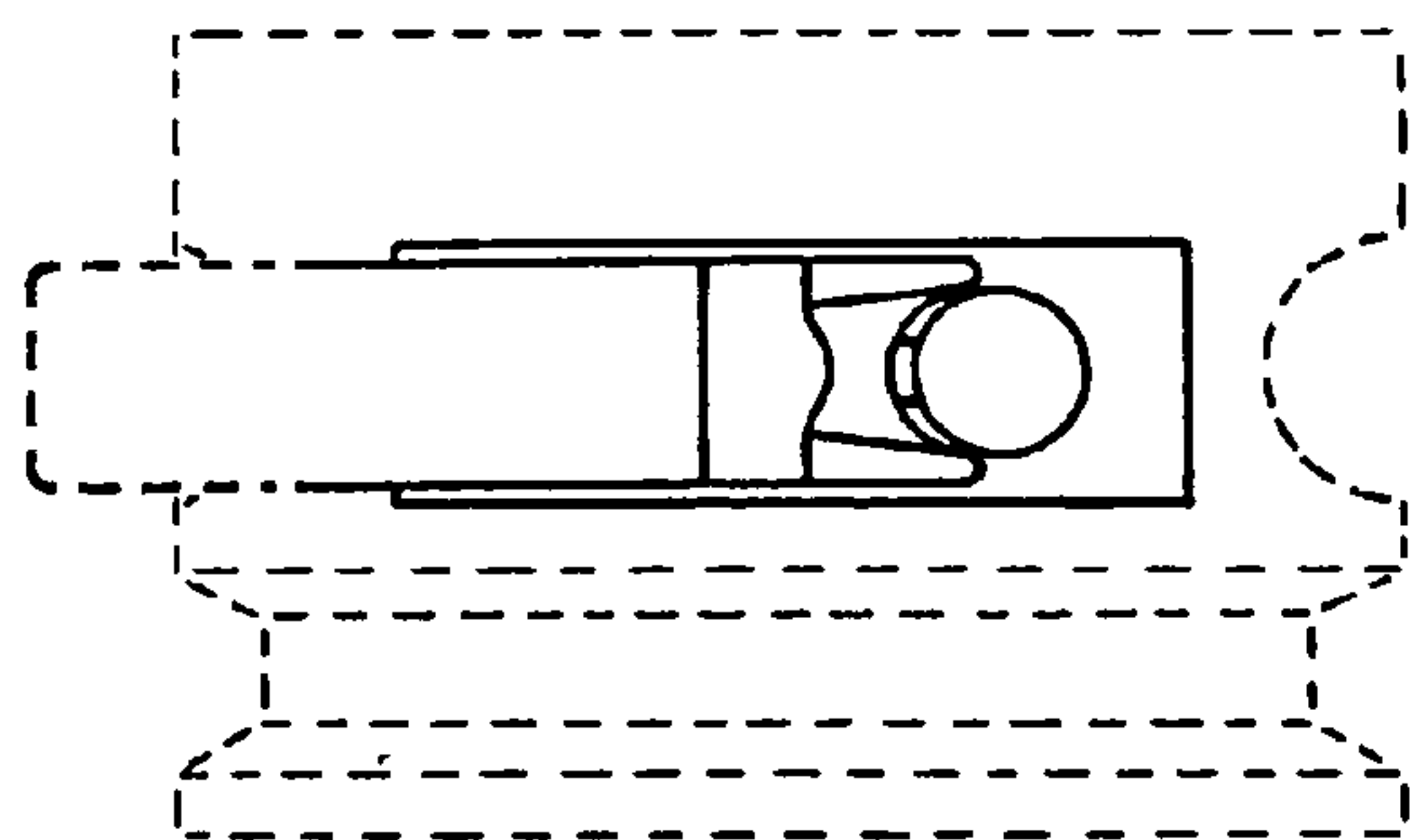


Fig. 7

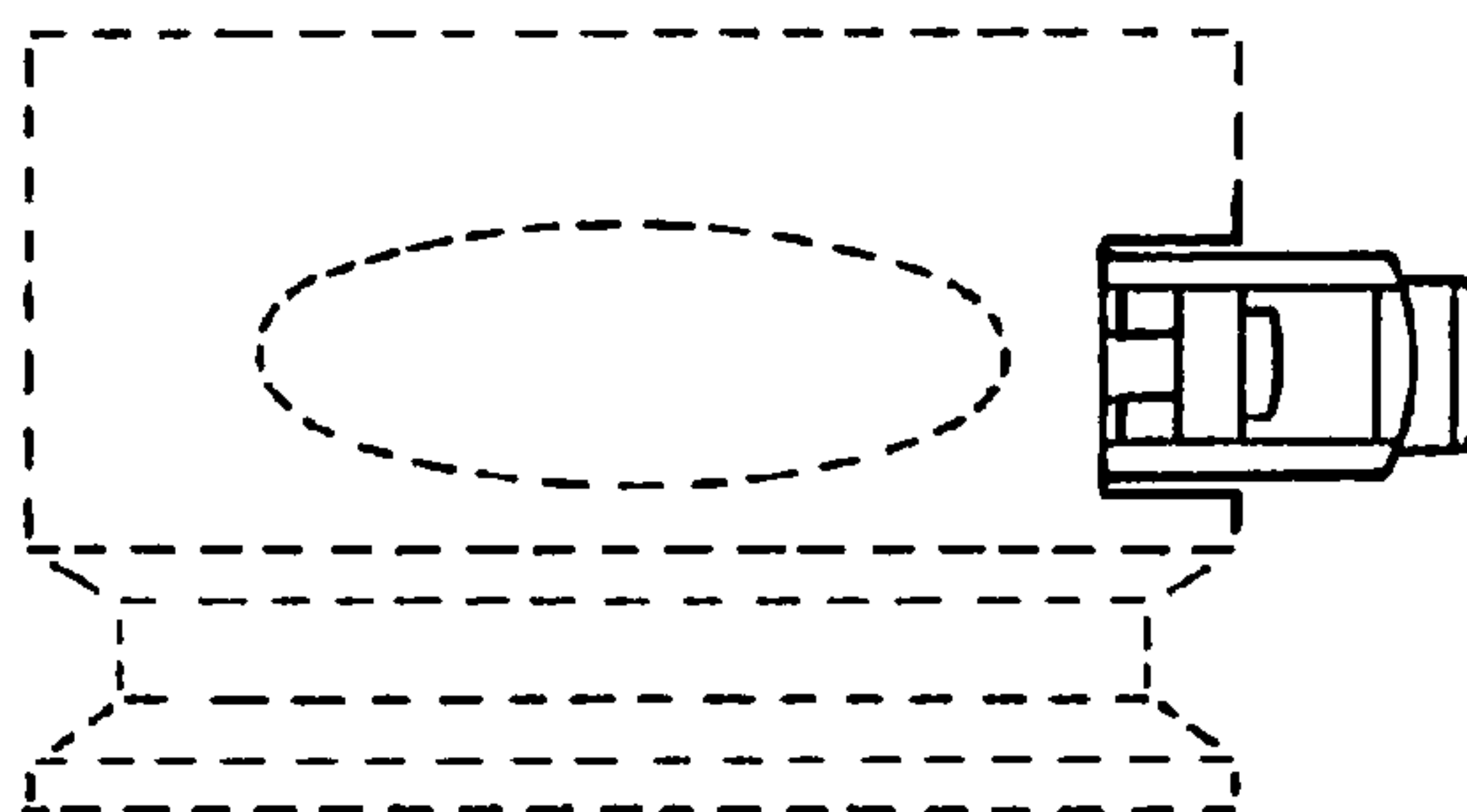


Fig. 8

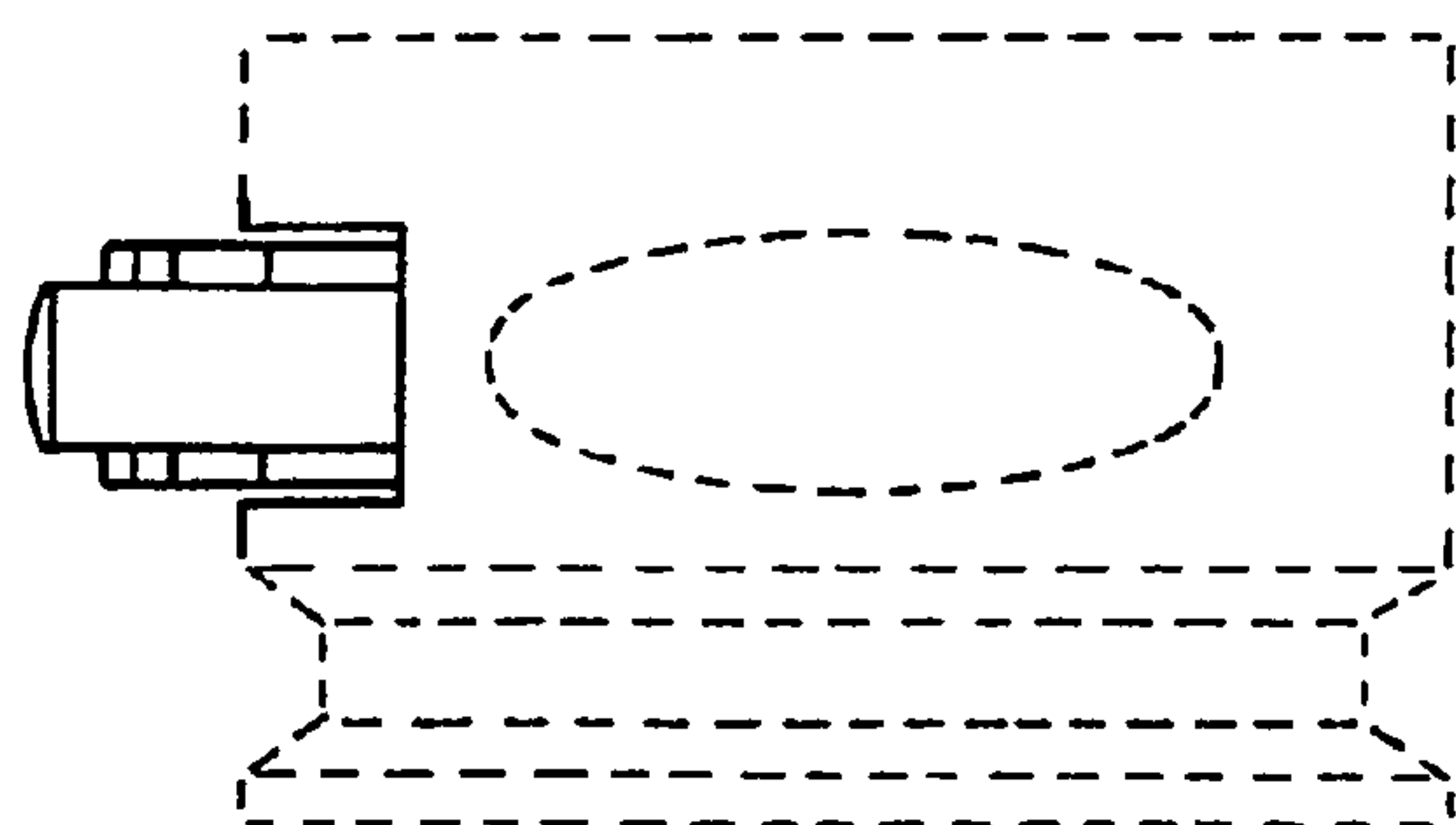


Fig. 9

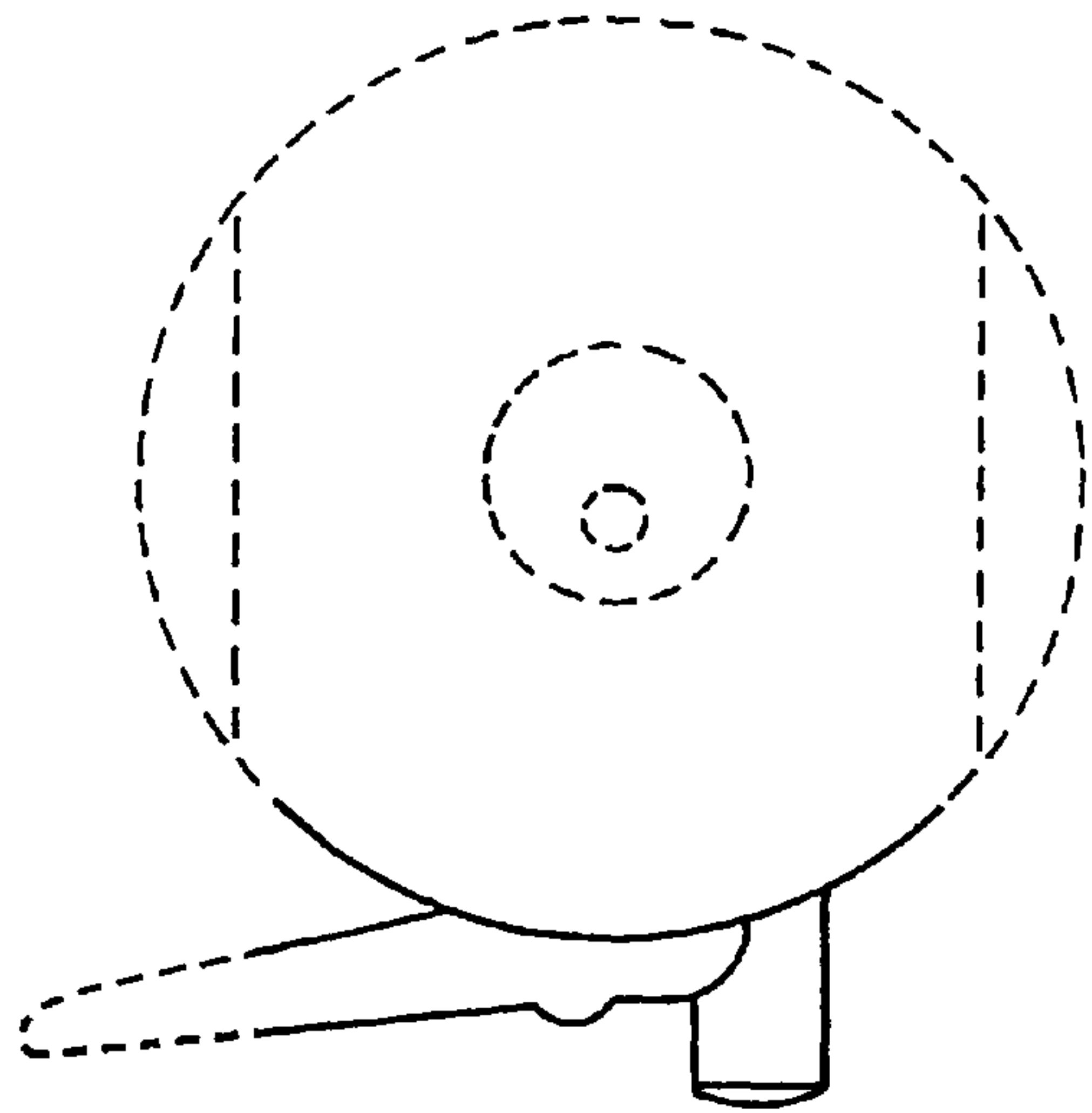


Fig. 10

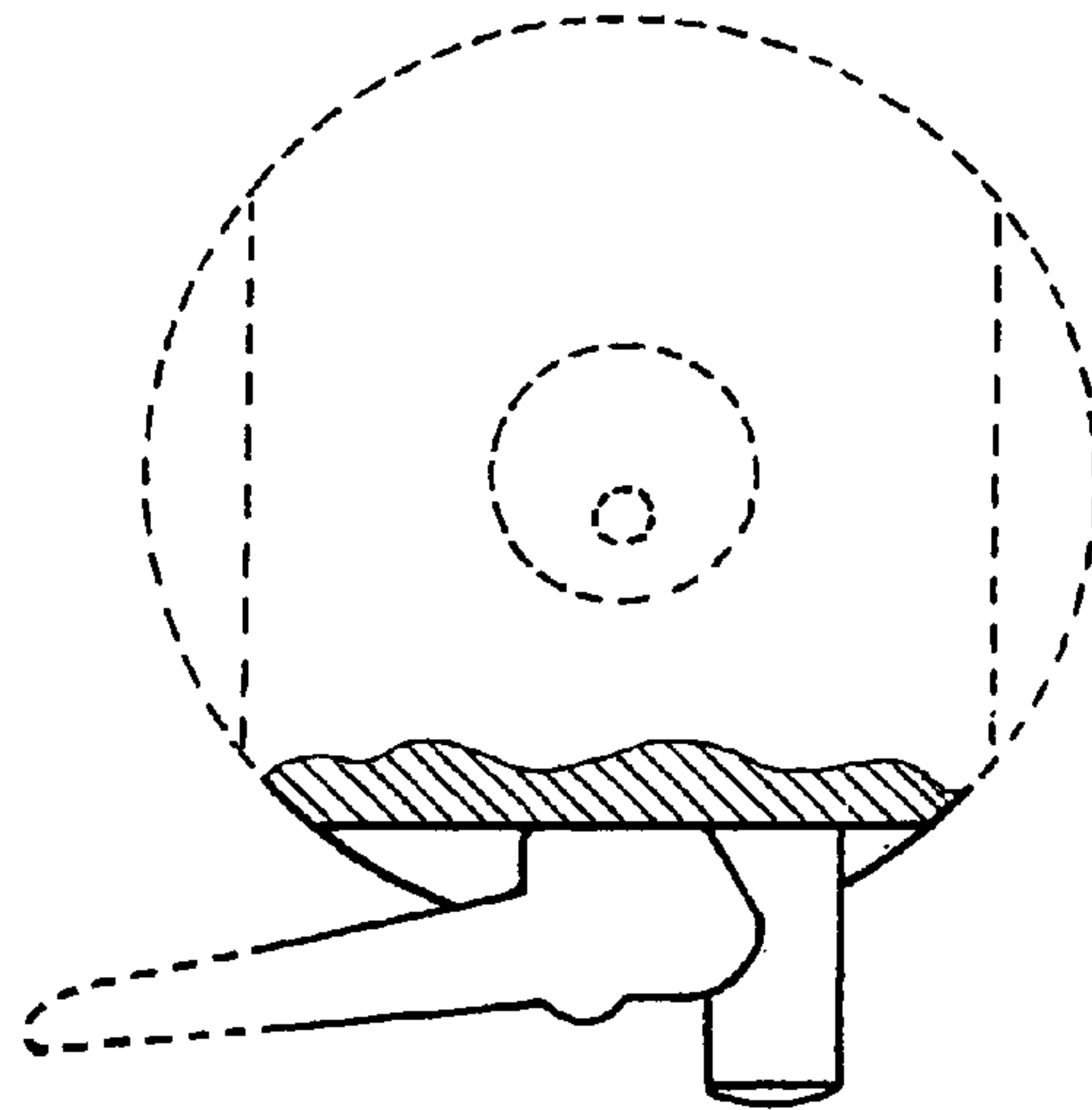


Fig. 11

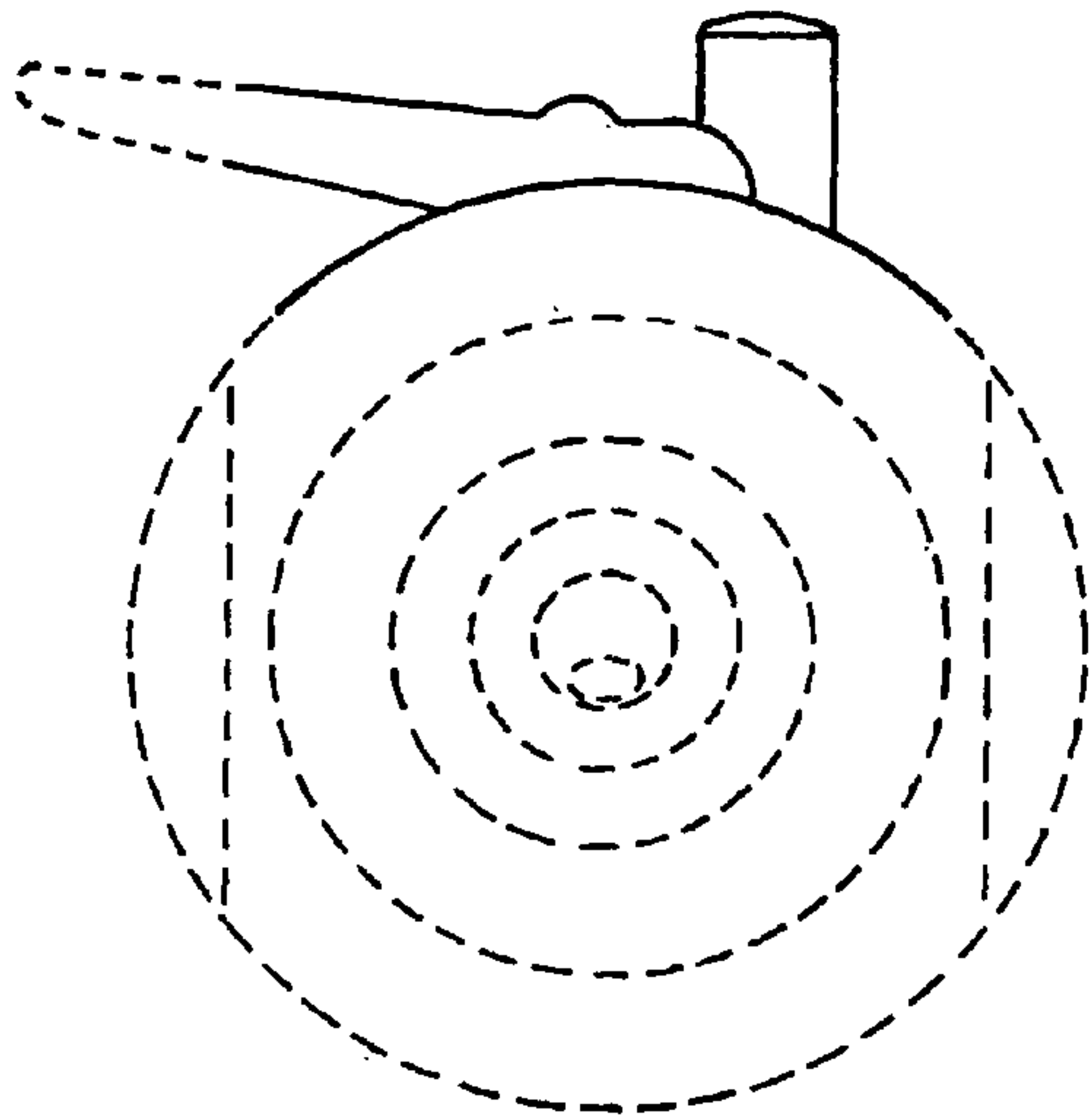


Fig. 12

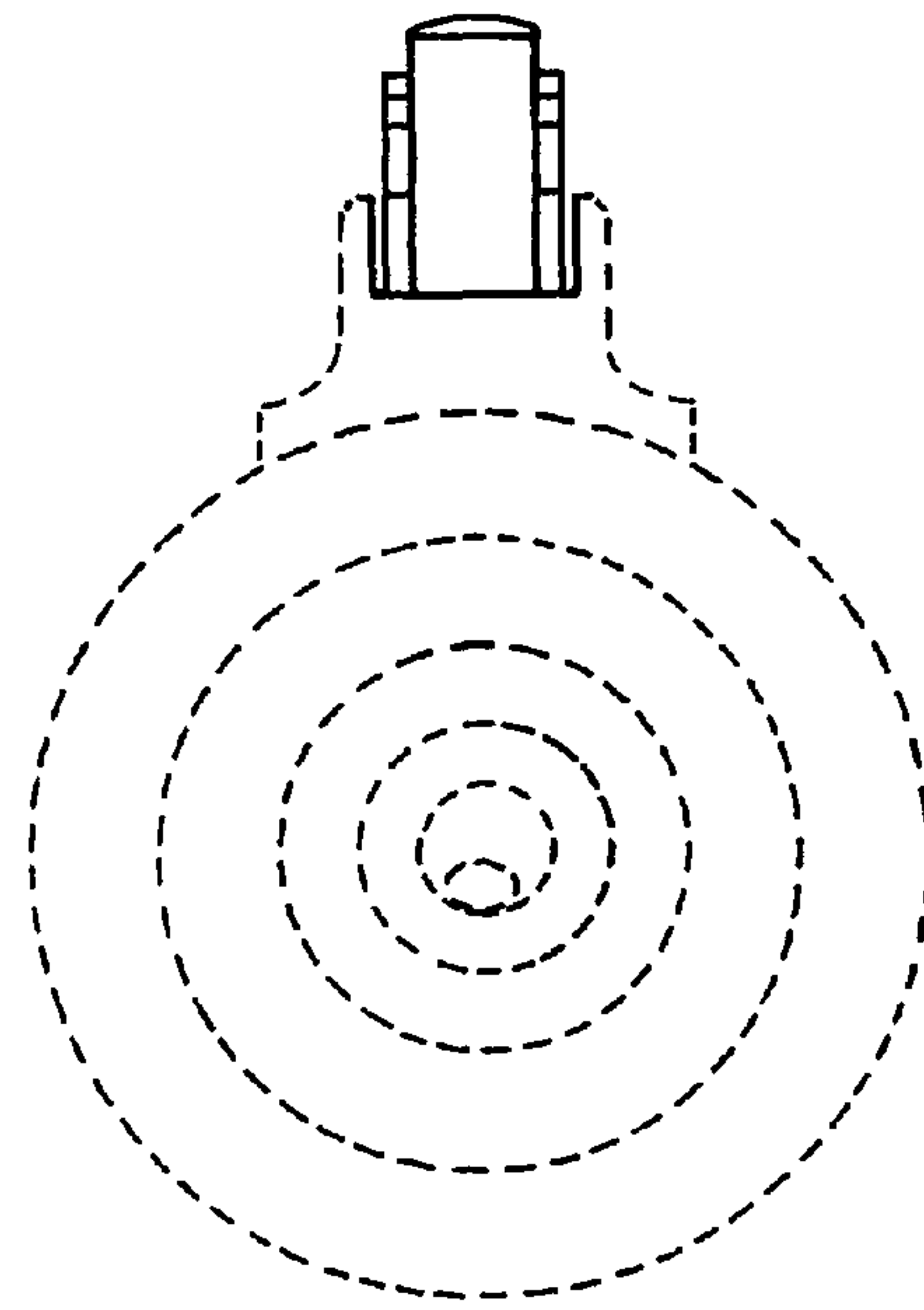
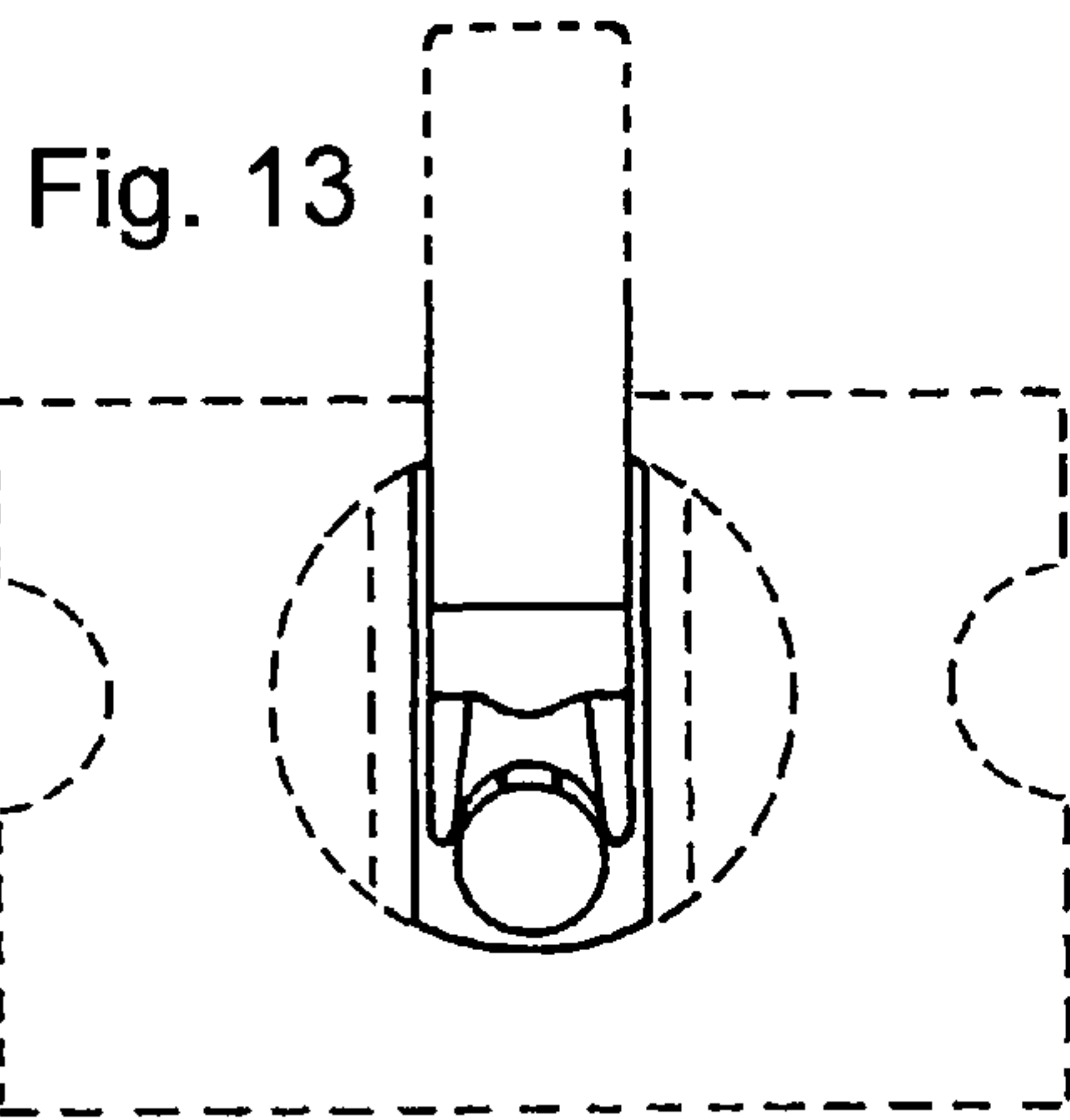


Fig. 15

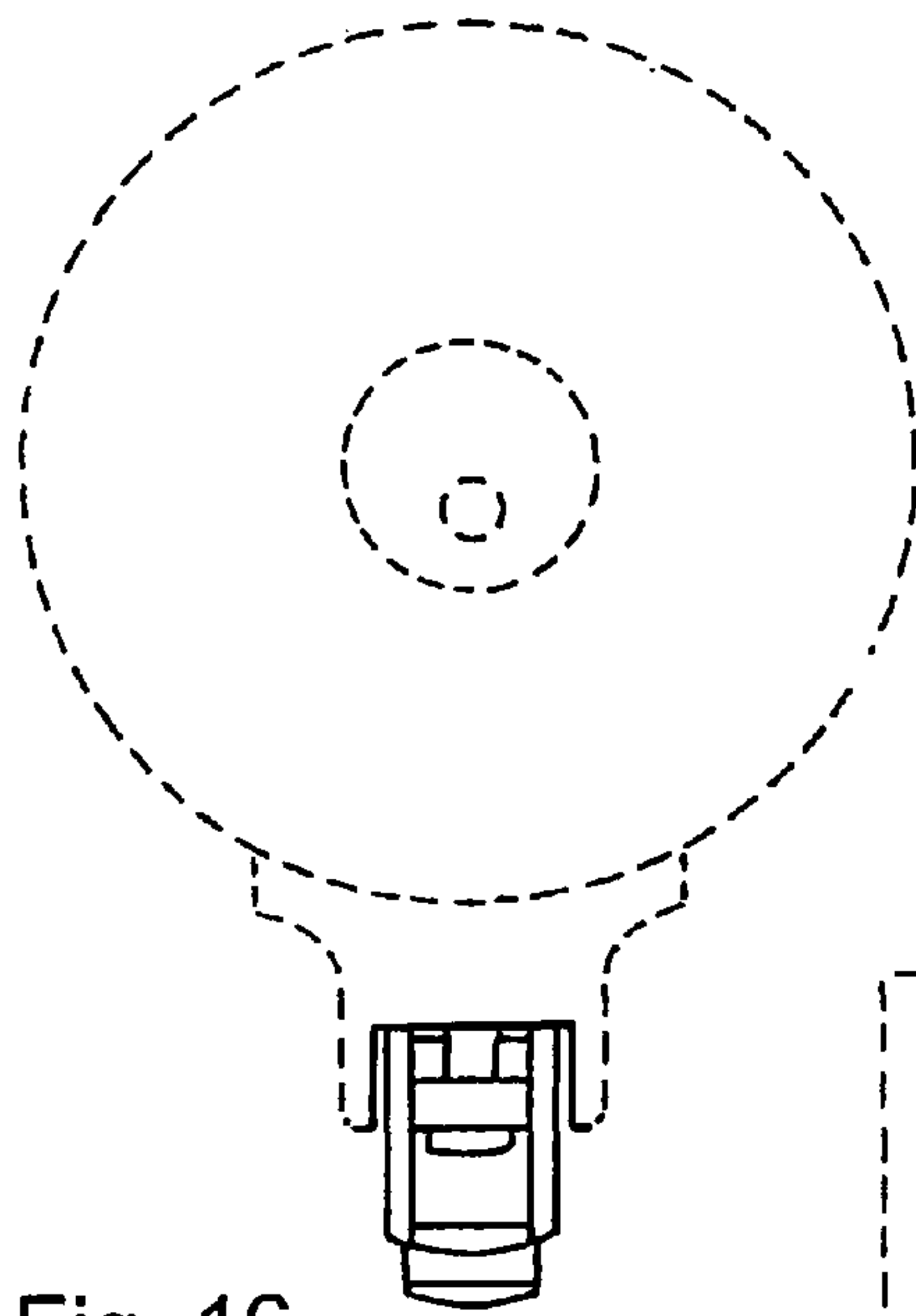


Fig. 16

