

US00D696378S

(12) **United States Design Patent**  
**Kera**

(10) **Patent No.:** **US D696,378 S**

(45) **Date of Patent:** **\*\* Dec. 24, 2013**

(54) **GUN SIGHT MOUNTING DEVICE**

D615,144 S \* 5/2010 Mayberry et al. .... D22/109  
7,726,229 B2 \* 6/2010 Schwerman et al. .... 89/41.17  
D675,281 S \* 1/2013 Speroni ..... D22/109

(76) Inventor: **Michael Ira Kera**, Dobbs Ferry, NY  
(US)

\* cited by examiner

(\*\*) Term: **14 Years**

*Primary Examiner* — Michael A Pratt

(21) Appl. No.: **29/426,703**

(74) *Attorney, Agent, or Firm* — Donald J. Ranft; Collen IP

(22) Filed: **Jul. 10, 2012**

(51) **LOC (9) Cl.** ..... **22-01**

(52) **U.S. Cl.**  
USPC ..... **D22/109**

(58) **Field of Classification Search**  
USPC ..... D22/108–109; 42/111–128; 89/1.61,  
89/200–204

See application file for complete search history.

(56) **References Cited**

**U.S. PATENT DOCUMENTS**

3,662,469 A \* 5/1972 Charron ..... 42/137  
D277,774 S \* 2/1985 Ruffino ..... D22/109  
D351,449 S \* 10/1994 Dagley ..... D22/109

(57) **CLAIM**

The ornamental design for a gun sight mounting device, as shown.

**DESCRIPTION**

FIG. 1 is a right side view of a gun sight mounting device showing our new design;  
FIG. 2 is a left side view thereof;  
FIG. 3 is a top view thereof;  
FIG. 4 is a bottom view thereof;  
FIG. 5 is a rear view thereof;  
FIG. 6 is front view thereof;  
FIG. 7 is a top left perspective view thereof; and,  
FIG. 8 is a top right perspective view thereof.

**1 Claim, 4 Drawing Sheets**

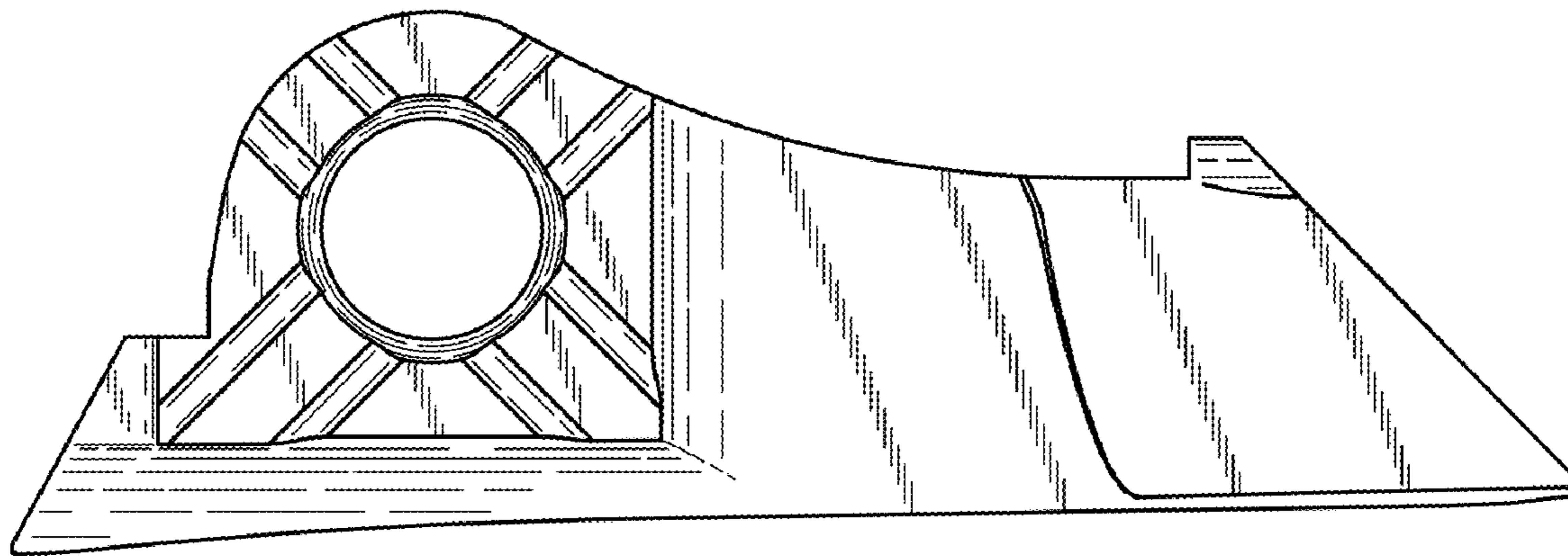


Fig. 1

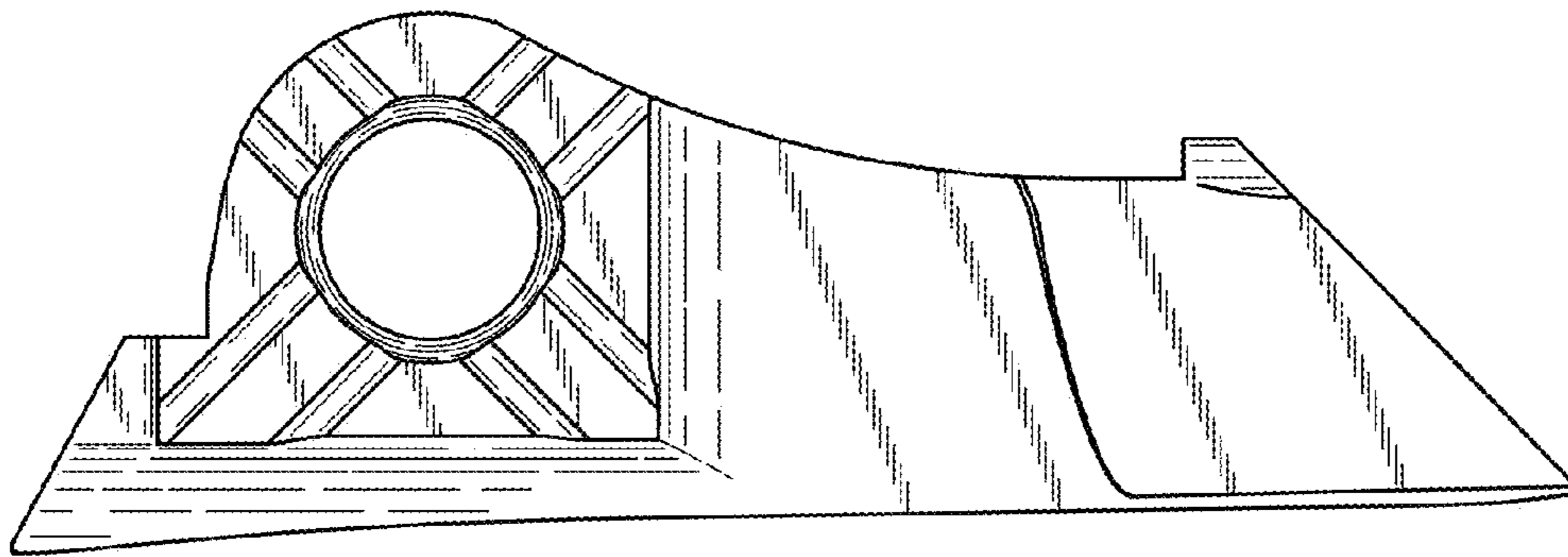


Fig. 2

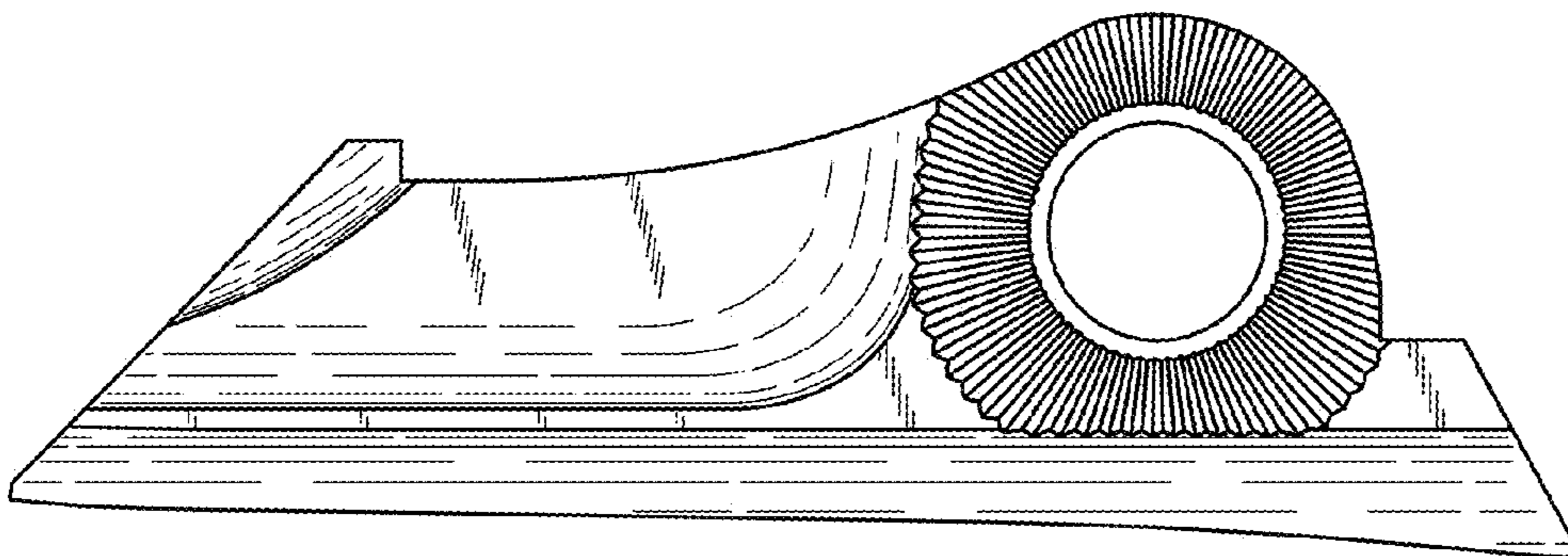


Fig. 3

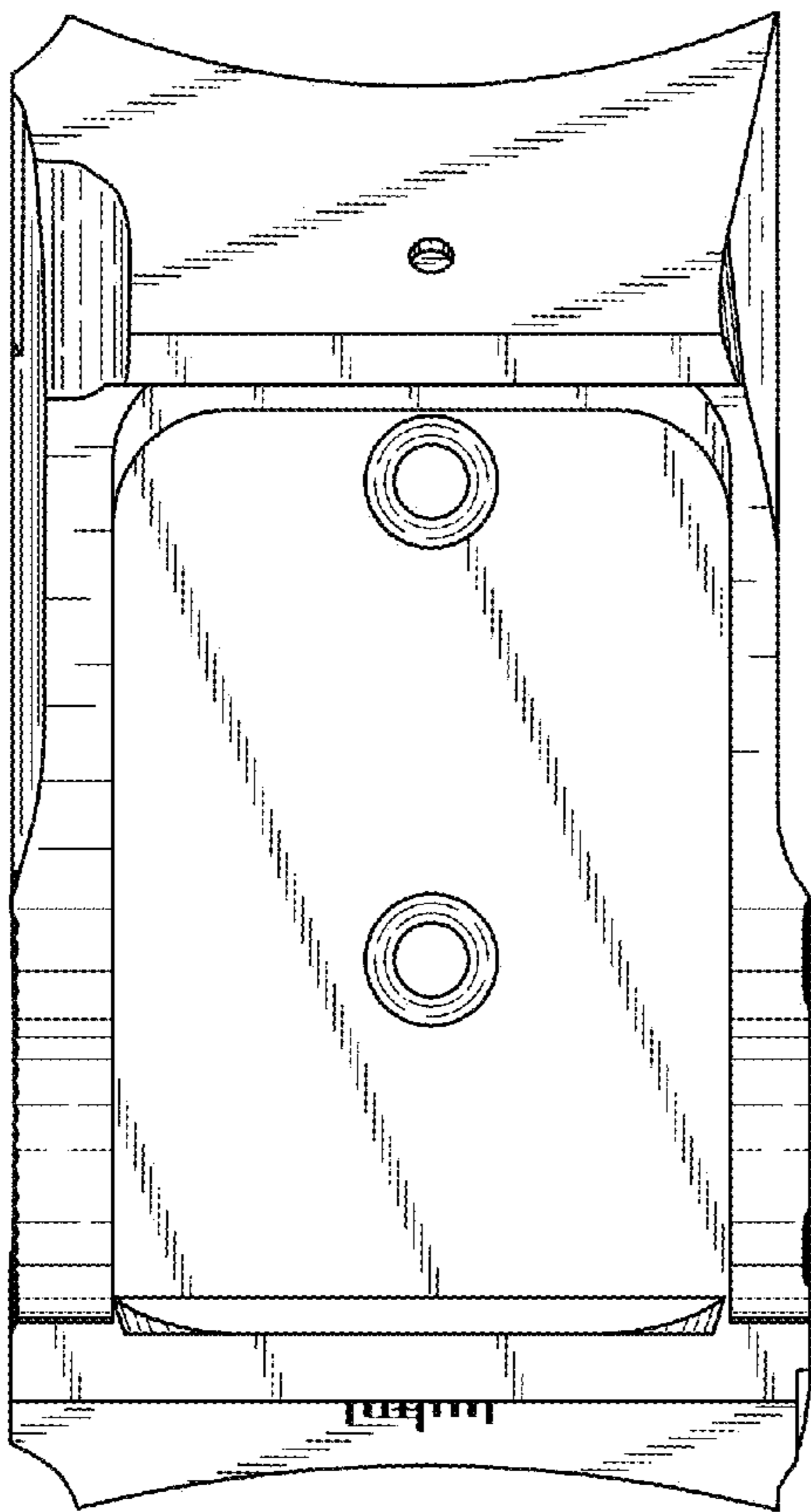


Fig. 4

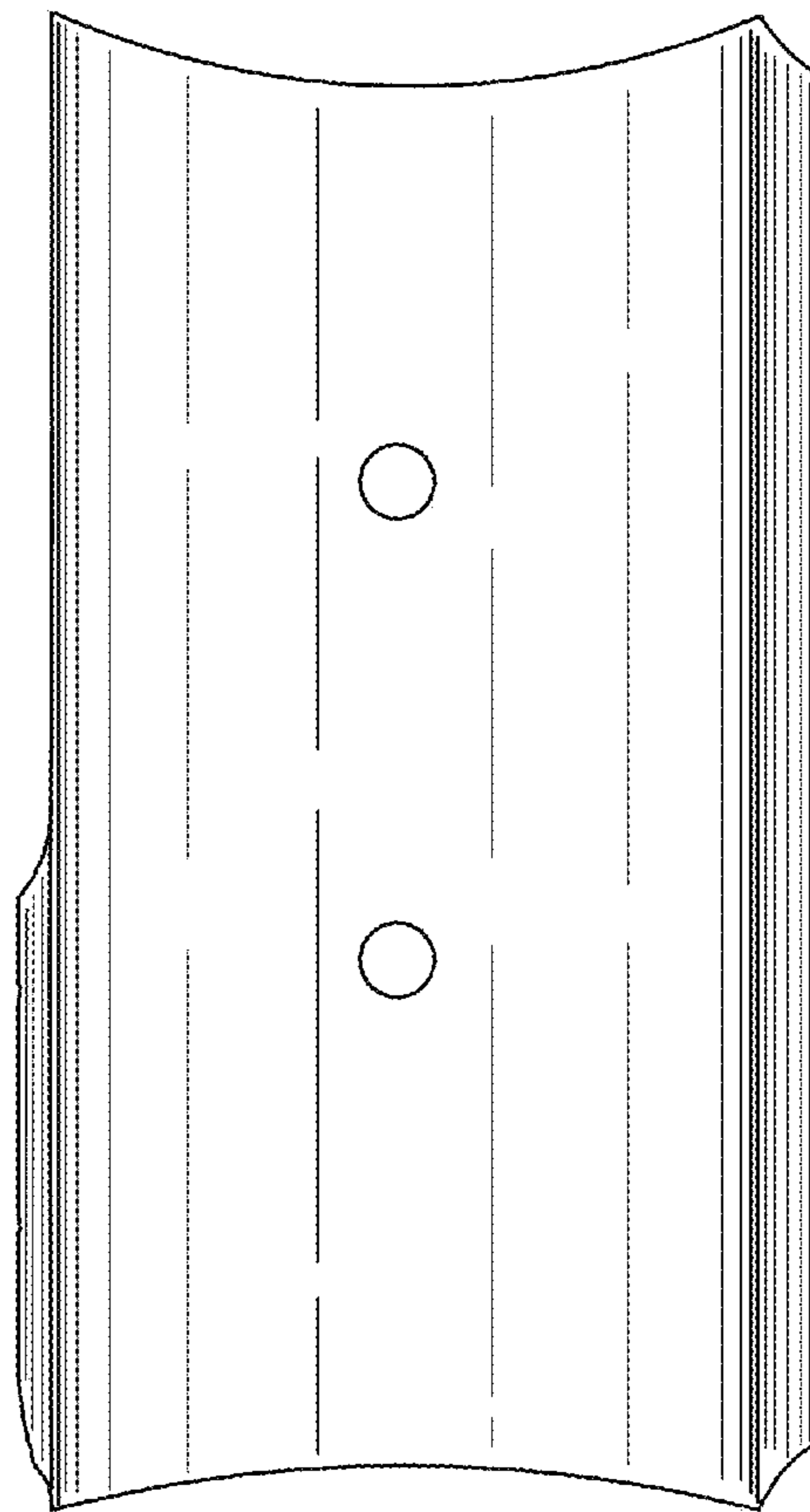


Fig. 5

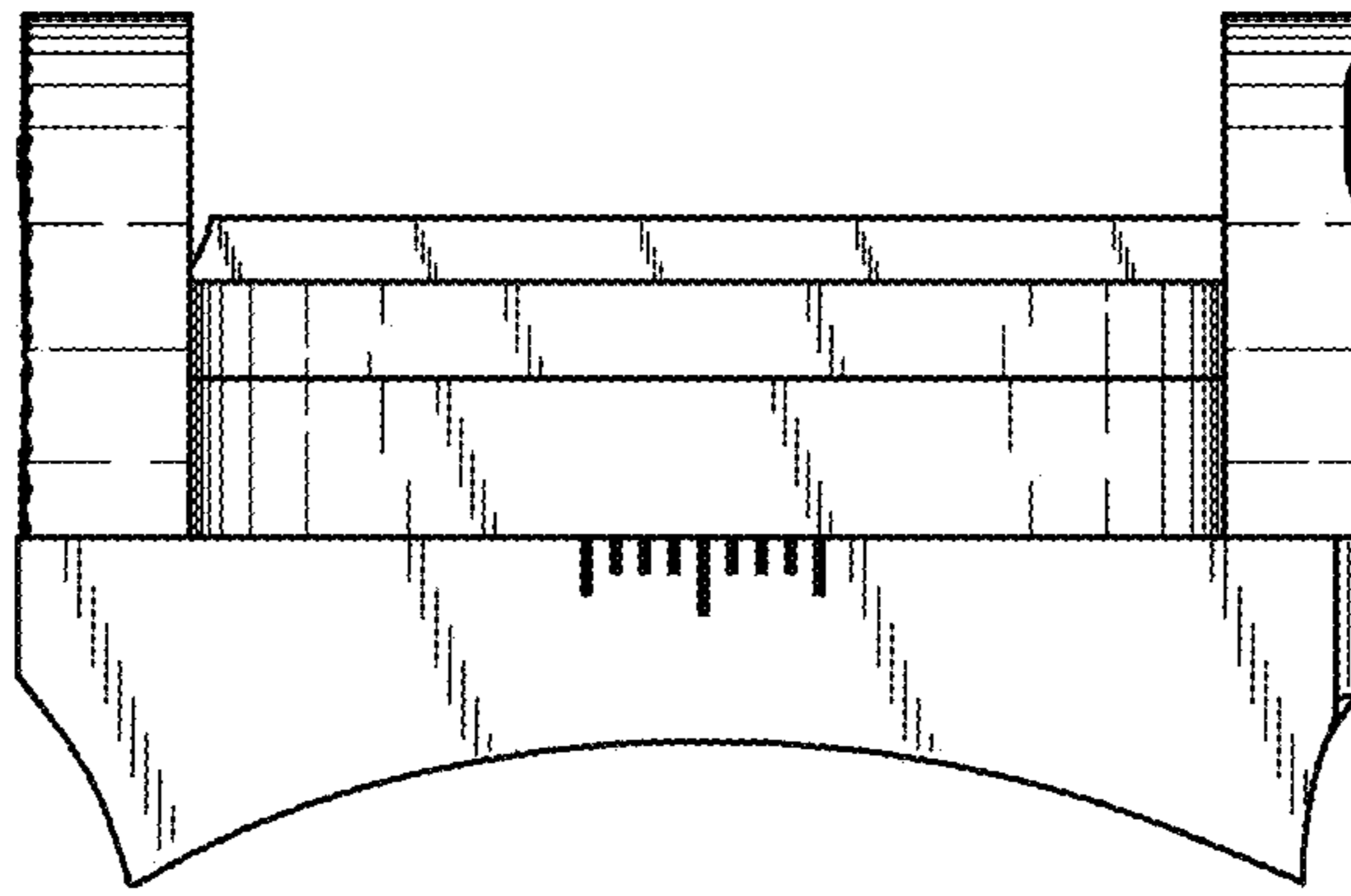


Fig. 6

