



US00D696377S

(12) **United States Design Patent**  
**Thummel**

(10) **Patent No.:** **US D696,377 S**

(45) **Date of Patent:** **\*\* \*Dec. 24, 2013**

(54) **DUAL BEAM AIMING LASER**

(74) *Attorney, Agent, or Firm* — K&L Gates LLP

(75) Inventor: **Heinz Thummel**, Monterey, CA (US)

(73) Assignee: **Laser Devices, Inc.**, Monterey, CA (US)

(\*) Notice: This patent is subject to a terminal disclaimer.

(\*\*) Term: **14 Years**

(21) Appl. No.: **29/410,039**

(22) Filed: **Jan. 3, 2012**

(51) **LOC (9) Cl.** ..... **22-01**

(52) **U.S. Cl.**  
USPC ..... **D22/109**

(58) **Field of Classification Search**  
USPC ..... D22/108–109; 42/111–128; 89/1.61,  
89/200–204; 356/247–256  
See application file for complete search history.

(56) **References Cited**

**U.S. PATENT DOCUMENTS**

D349,509	S	*	8/1994	Williams et al.	.....	D16/130
5,374,986	A	*	12/1994	Solinsky	.....	356/4.01
6,819,495	B2	*	11/2004	Shani et al.	.....	359/630
D522,031	S	*	5/2006	Siu	.....	D16/132
7,158,296	B1	*	1/2007	Schwartz et al.	.....	359/407
D570,018	S	*	5/2008	Ciccone et al.	.....	D26/37
D586,874	S	*	2/2009	Moody et al.	.....	D22/109
D604,794	S	*	11/2009	Bentley	.....	D22/109
D612,756	S	*	3/2010	D'Amelio et al.	.....	D10/70
D641,826	S	*	7/2011	Larsson et al.	.....	D22/109
8,297,173	B1	*	10/2012	Teetzel et al.	.....	89/41.17
D672,005	S	*	12/2012	Hedeen et al.	.....	D22/109

**OTHER PUBLICATIONS**

LaserDevices, Inc. 2008 Catalog, available prior to 2009.

(Continued)

*Primary Examiner* — Michael A Pratt

(57) **CLAIM**

The ornamental design for a dual beam aiming laser, as shown and described herein.

**DESCRIPTION**

FIG. 1 illustrates a first top perspective view of a dual beam aiming laser of my new design; that portion shown in phantom is not part of the design sought to be patented and is provided for environmental purposes only.

FIG. 2 illustrates a second top perspective view of my design of FIG. 1; that portion shown in phantom is not part of the design sought to be patented and is provided for environmental purposes only.

FIG. 3 illustrates a front end view second end view of my design of FIG. 1; that portion shown in phantom is not part of the design sought to be patented and is provided for environmental purposes only.

FIG. 4 illustrates a back end view second end view of my design of FIG. 1; that portion shown in phantom is not part of the design sought to be patented and is provided for environmental purposes only.

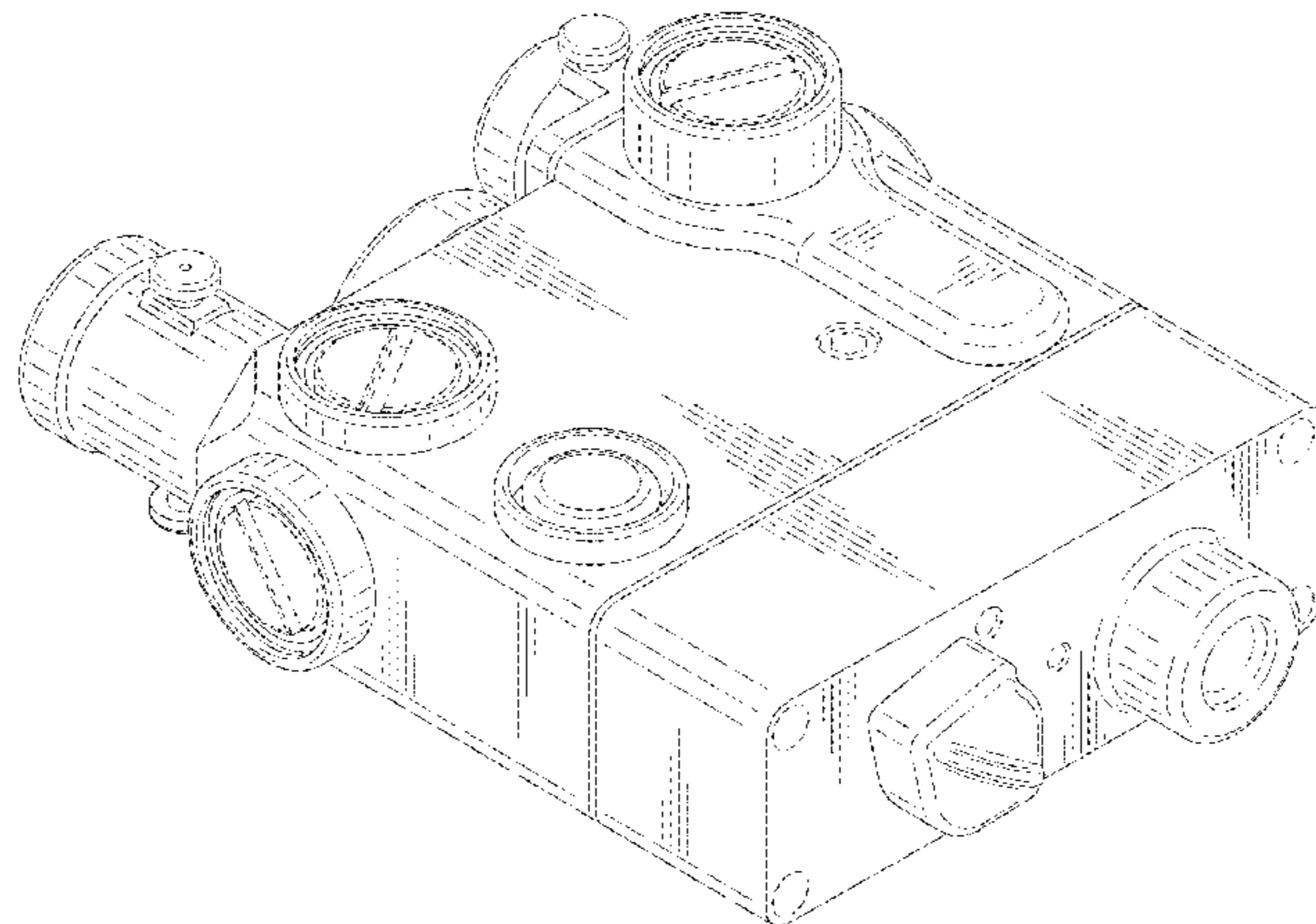
FIG. 5 illustrates a top view of my design of FIG. 1; that portion shown in phantom is not part of the design sought to be patented and is provided for environmental purposes only.

FIG. 6 illustrates a bottom view of my design of FIG. 1; that portion shown in phantom is not part of the design sought to be patented and is provided for environmental purposes only.

FIG. 7 illustrates a first side view of my design of FIG. 1; that portion shown in phantom is not part of the design sought to be patented and is provided for environmental purposes only; and,

FIG. 8 illustrates a second side view of my design of FIG. 1; that portion shown in phantom is not part of the design sought to be patented and is provided for environmental purposes only.

**1 Claim, 7 Drawing Sheets**



(56)

**References Cited**

OTHER PUBLICATIONS

United States Trade Dress U.S. Appl. No. 85/527,772, identifying earliest use date in Mar. 2009.

AN/PEQ-15 ATPIAL Device—website printout from <http://www.insighttechnology.com/products-insight/an-peq-15-or-la-5-peq>, available prior to Jan. 3, 2012.

\* cited by examiner

FIG. 1

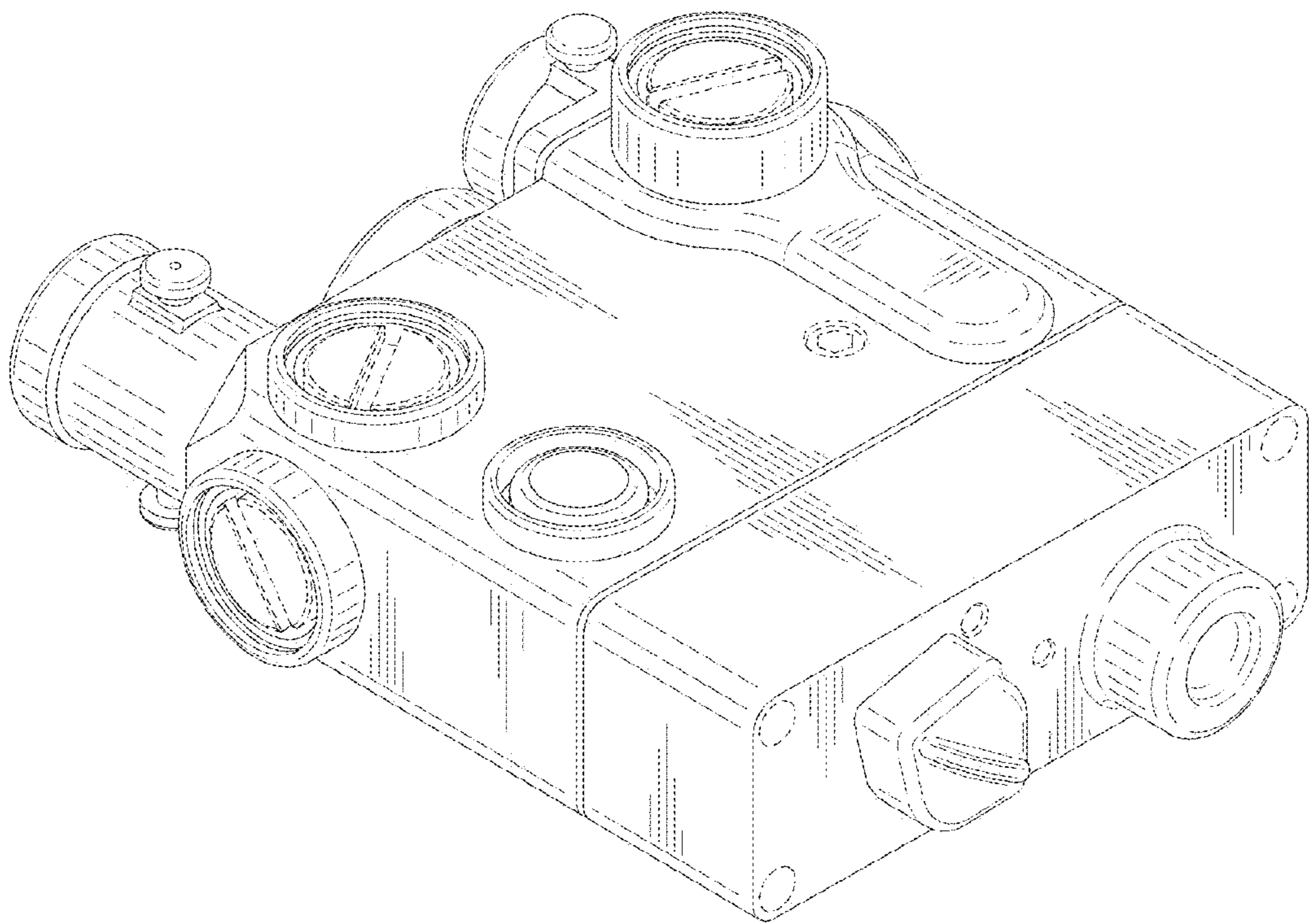


FIG. 2

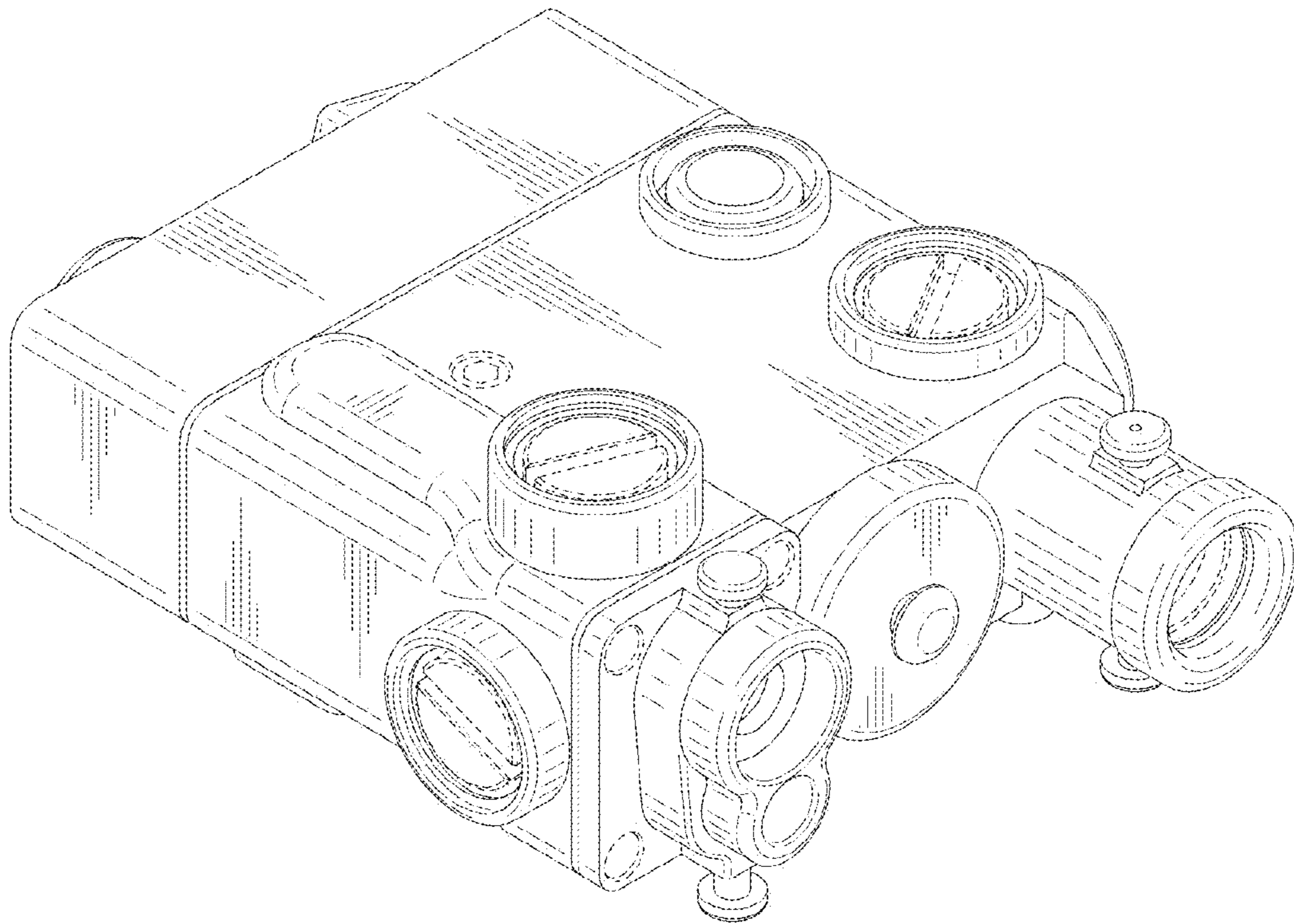


FIG. 3

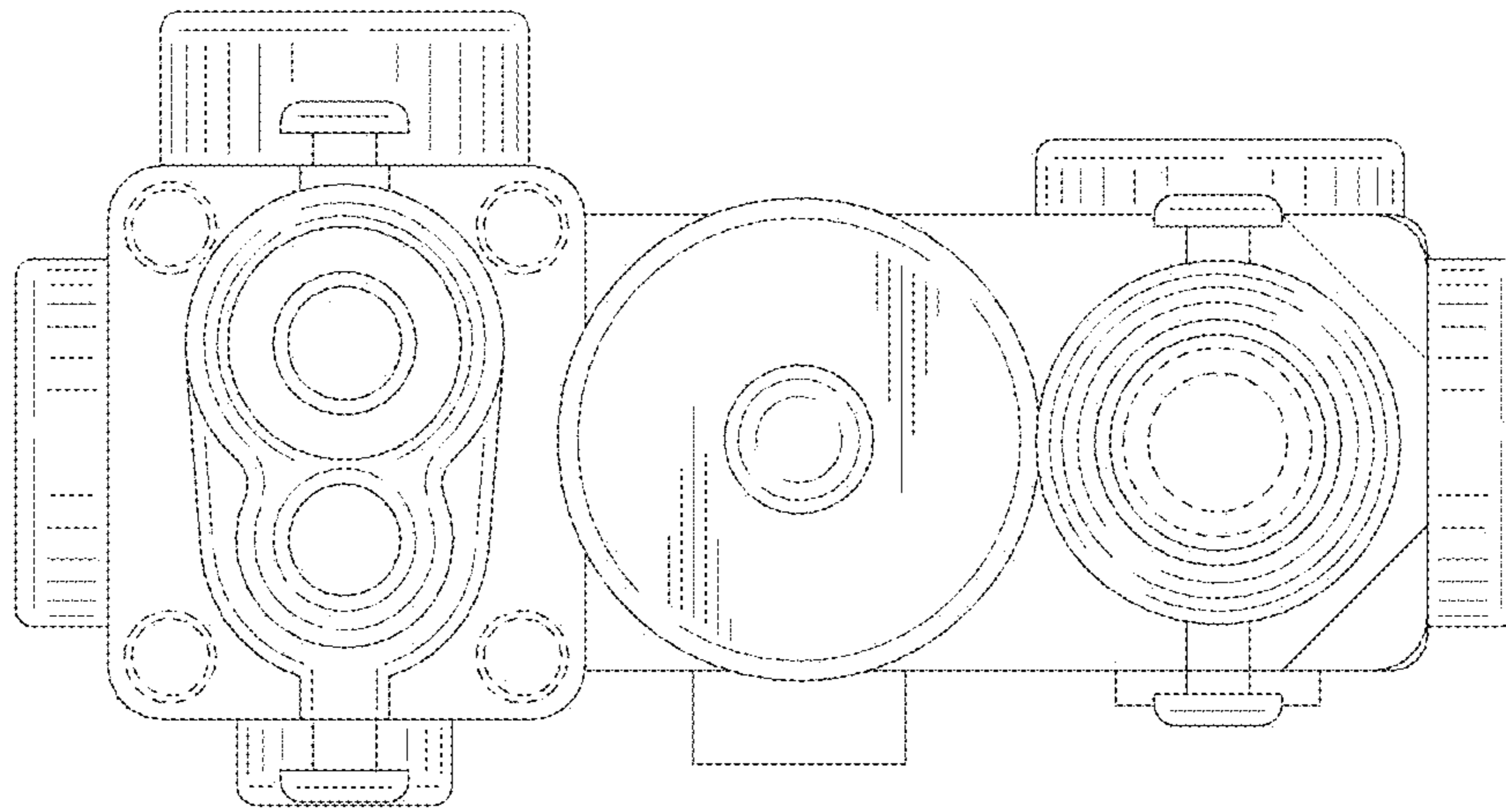


FIG. 4

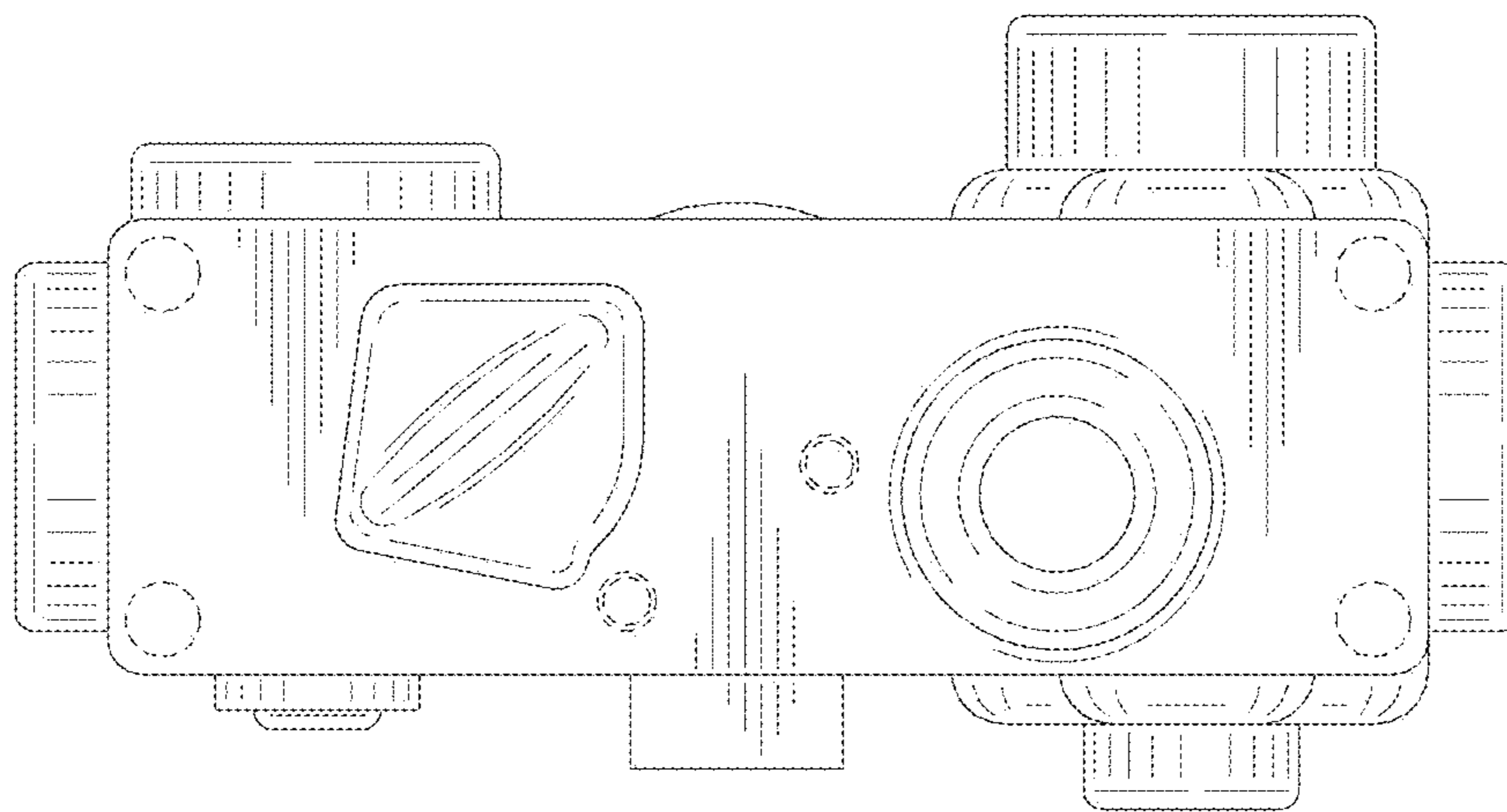


FIG. 5

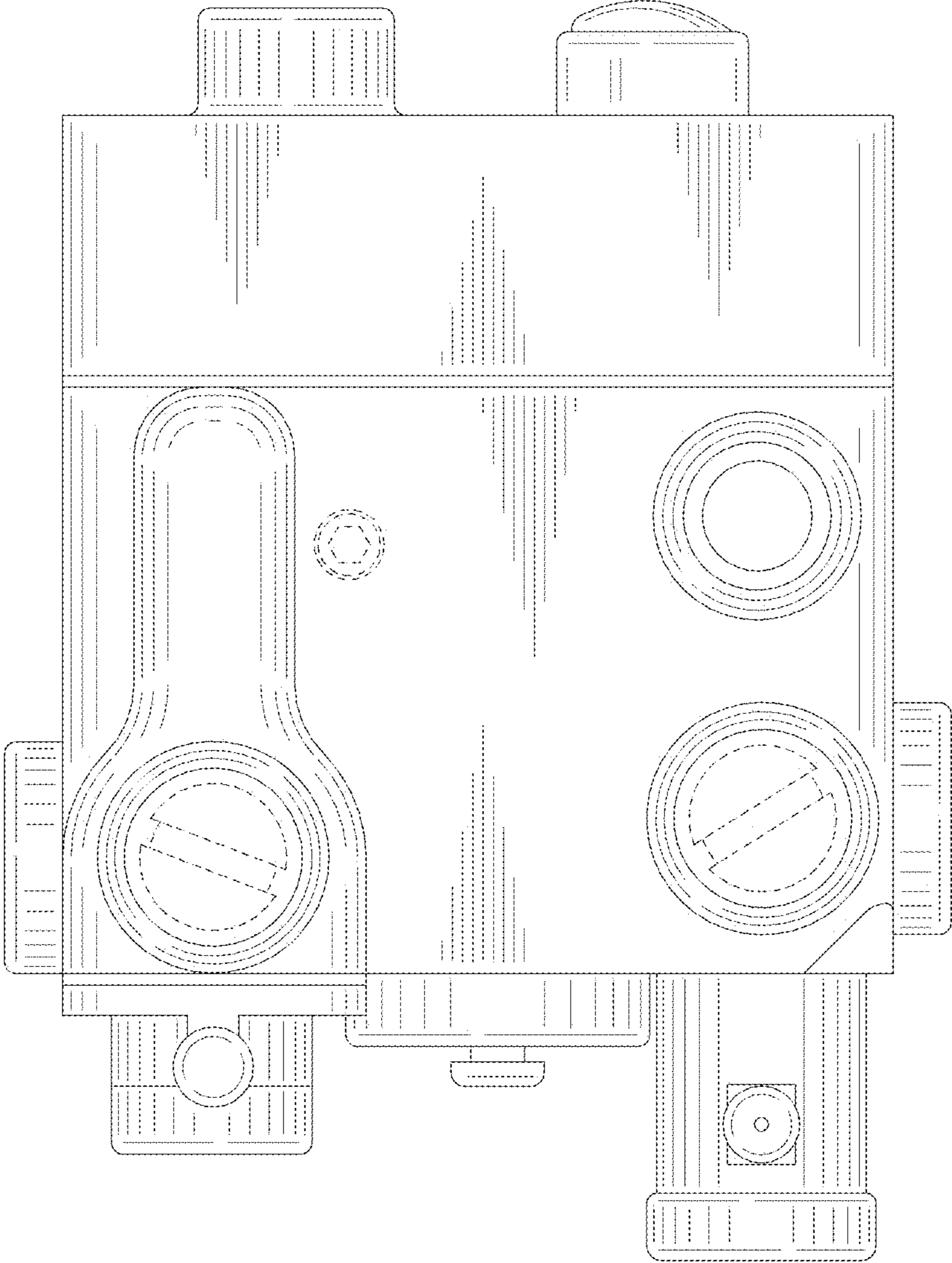


FIG. 6

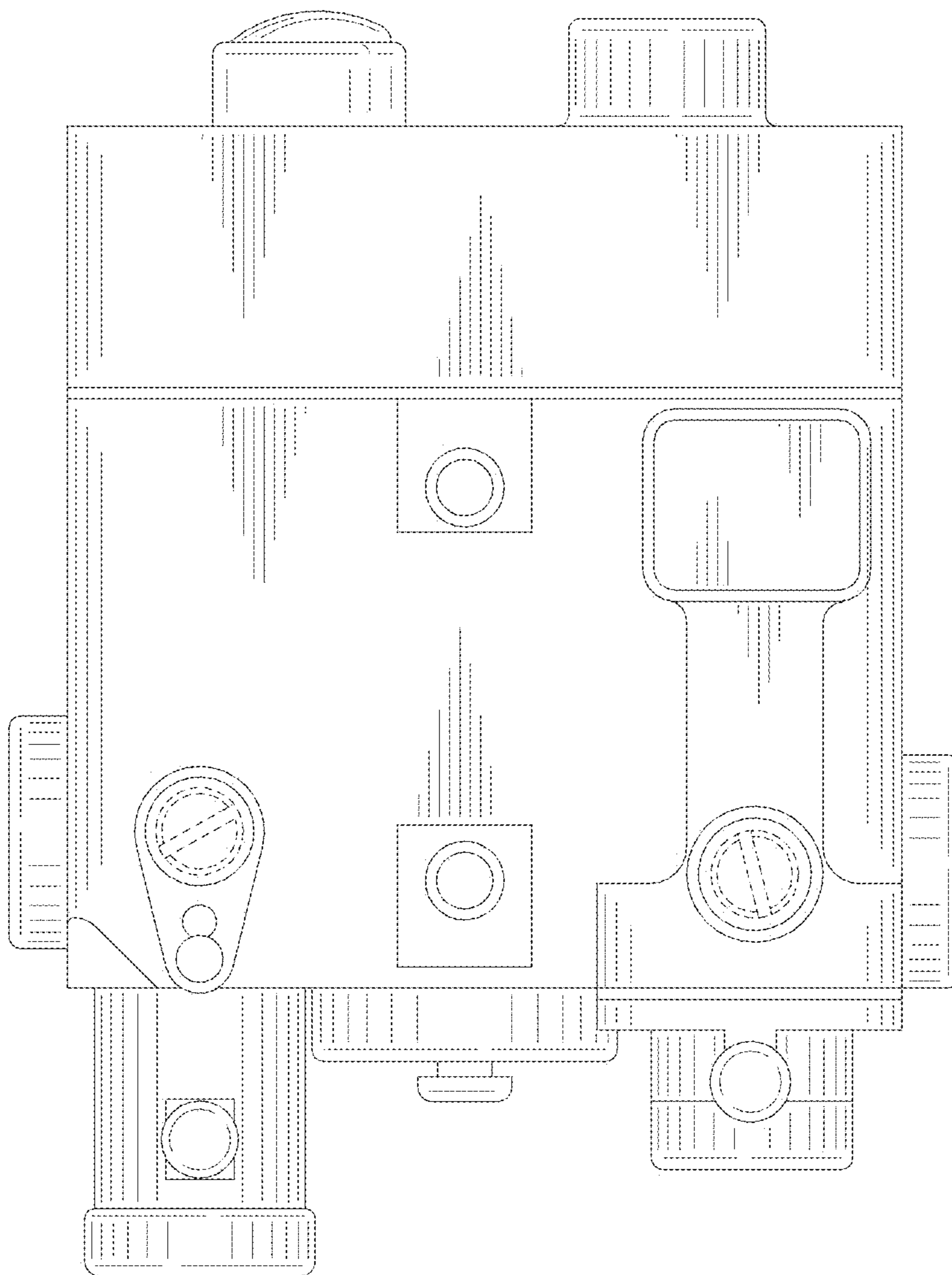


FIG. 7

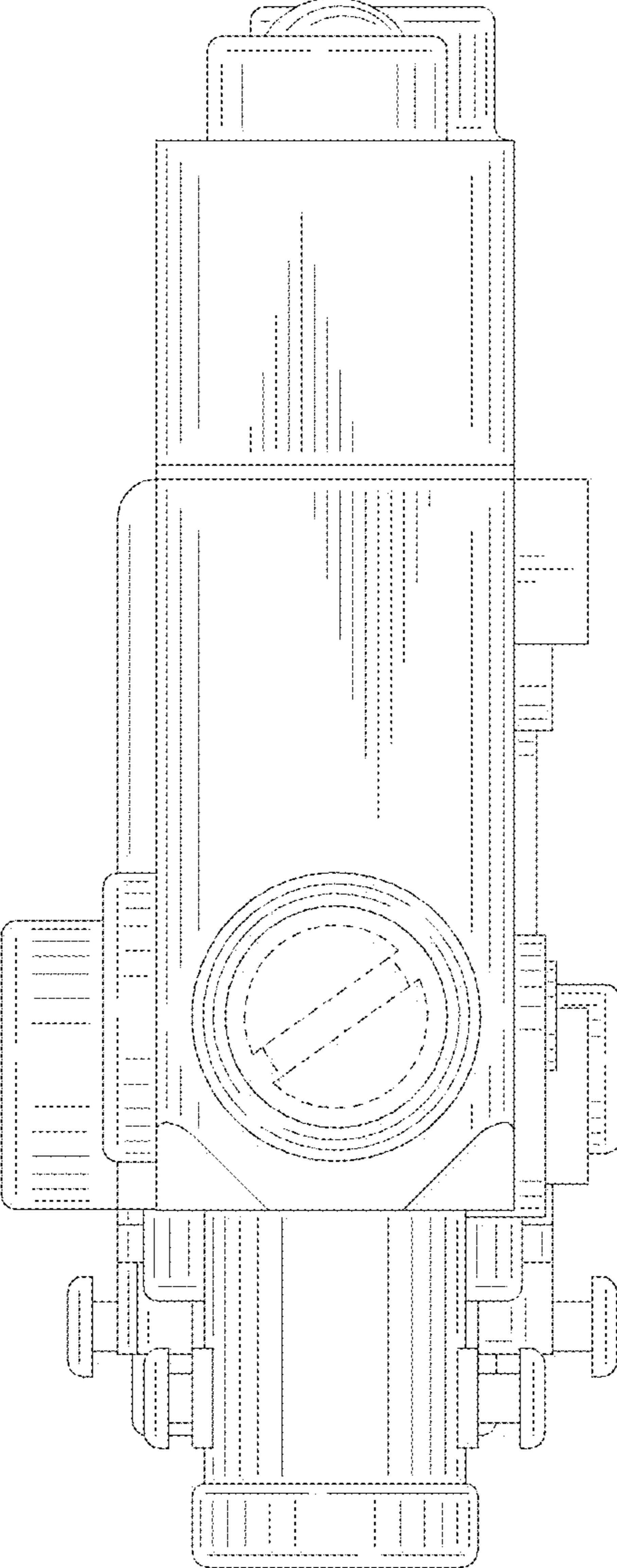




FIG. 8

