



US00D696373S

(12) **United States Design Patent**  
**Jin**

(10) **Patent No.:** **US D696,373 S**  
(45) **Date of Patent:** **\*\* Dec. 24, 2013**

- (54) **TENT**
- (71) Applicant: **Ki Ho Jin**, Xiamen (CN)
- (72) Inventor: **Ki Ho Jin**, Xiamen (CN)
- (\*\*) Term: **14 Years**
- (21) Appl. No.: **29/449,537**
- (22) Filed: **Mar. 15, 2013**
- (51) **LOC (9) Cl.** ..... **21-04**
- (52) **U.S. Cl.**  
USPC ..... **D21/834**
- (58) **Field of Classification Search**  
USPC ..... D21/834, 836–839; D25/13, 16, 17, 18,  
D25/20, 26, 32, 56, 57; 135/87, 90, 93, 94,  
135/96–99, 115, 117, 121, 124–128, 133,  
135/135, 138, 143, 157, 900, 908;  
296/159–161  
See application file for complete search history.

D403,041 S *	12/1998	Funk .....	D21/834
D457,590 S *	5/2002	Olson et al. ....	D21/834
D534,614 S *	1/2007	Gallaway et al. ....	D21/834
D562,930 S *	2/2008	Poulson et al. ....	D21/834
D687,116 S *	7/2013	Jin .....	D21/834

\* cited by examiner

*Primary Examiner* — Cynthia M Chin

(74) *Attorney, Agent, or Firm* — John H. Choi

(57) **CLAIM**  
The ornamental design for a tent, as shown and described.

**DESCRIPTION**

FIG. 1 is a perspective view of a tent showing my new design;  
 FIG. 2 is a front view thereof;  
 FIG. 3 is a rear view thereof;  
 FIG. 4 is a left side view thereof, the right side view thereof  
 being a mirror image of that which is shown;  
 FIG. 5 is a top view thereof; and,  
 FIG. 6 is a bottom view thereof.  
 The features shown in broken lines depict environmental or  
 other associated subject matter and form no part of the  
 claimed design.

**1 Claim, 6 Drawing Sheets**

- (56) **References Cited**  
U.S. PATENT DOCUMENTS  
D224,761 S \* 9/1972 Pohl ..... D21/834  
4,709,718 A \* 12/1987 Nichols ..... 135/125  
D325,063 S \* 3/1992 Cantwell ..... D21/834

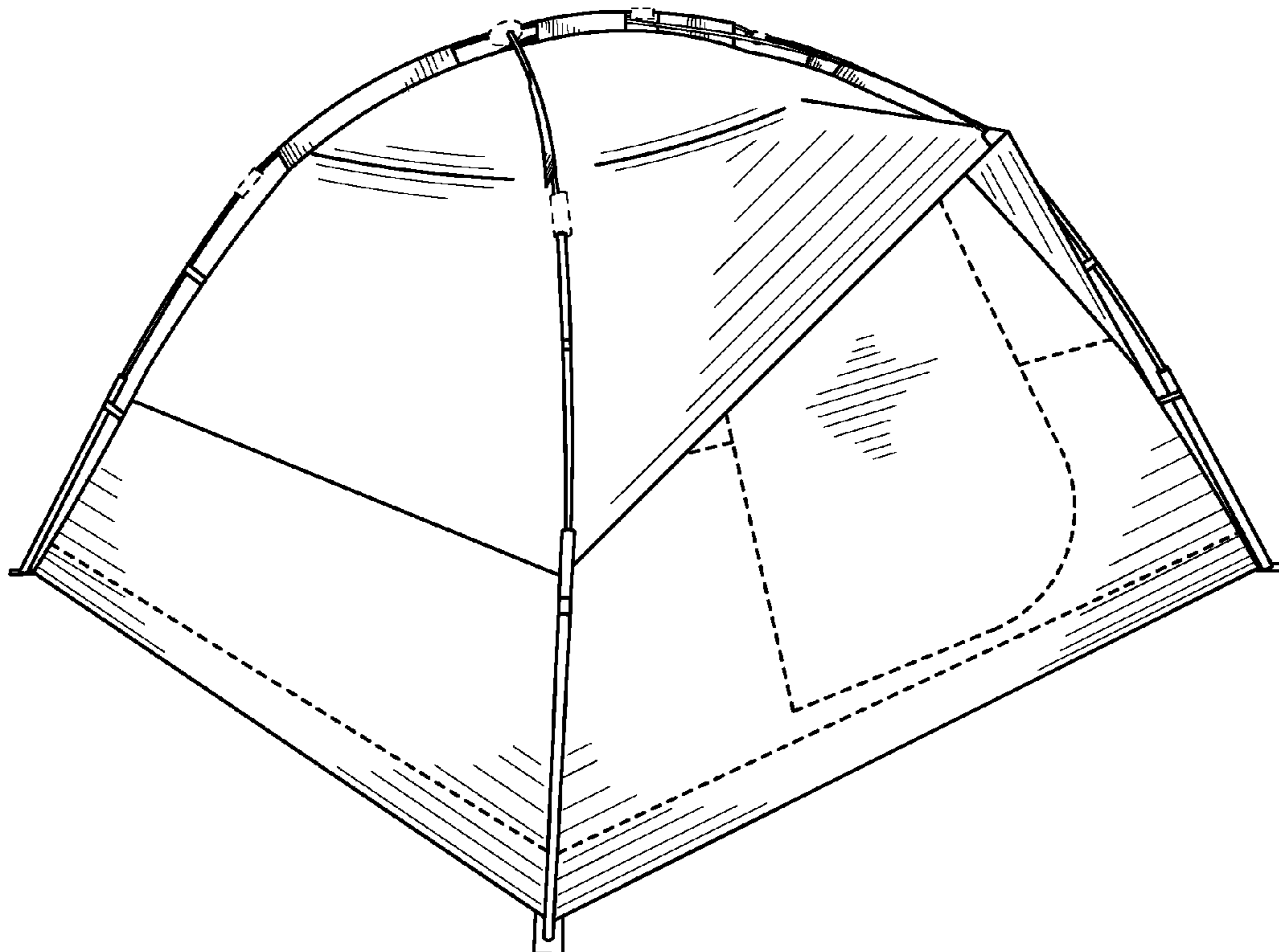


Figure 1

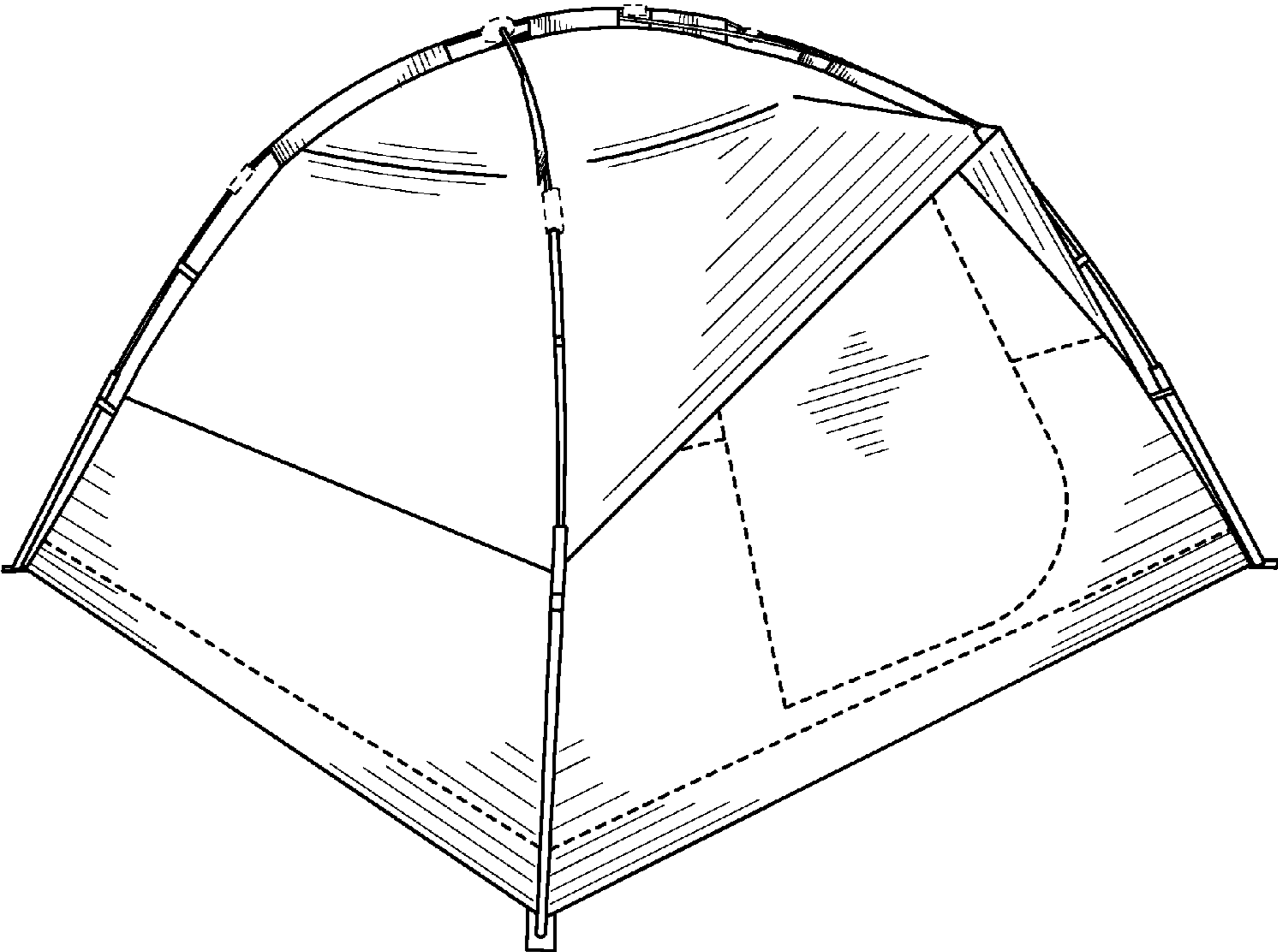


Figure 2

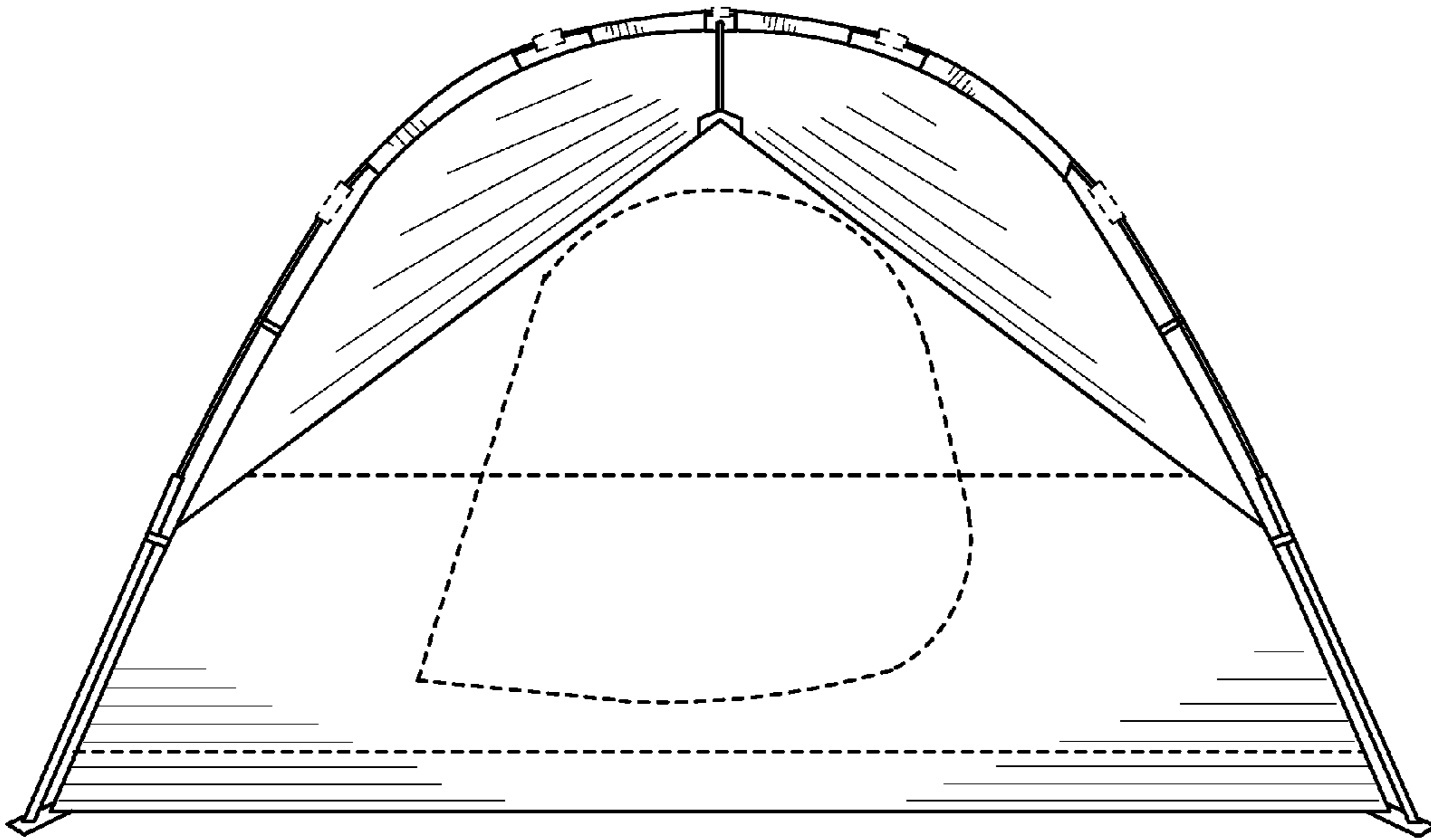


Figure 3

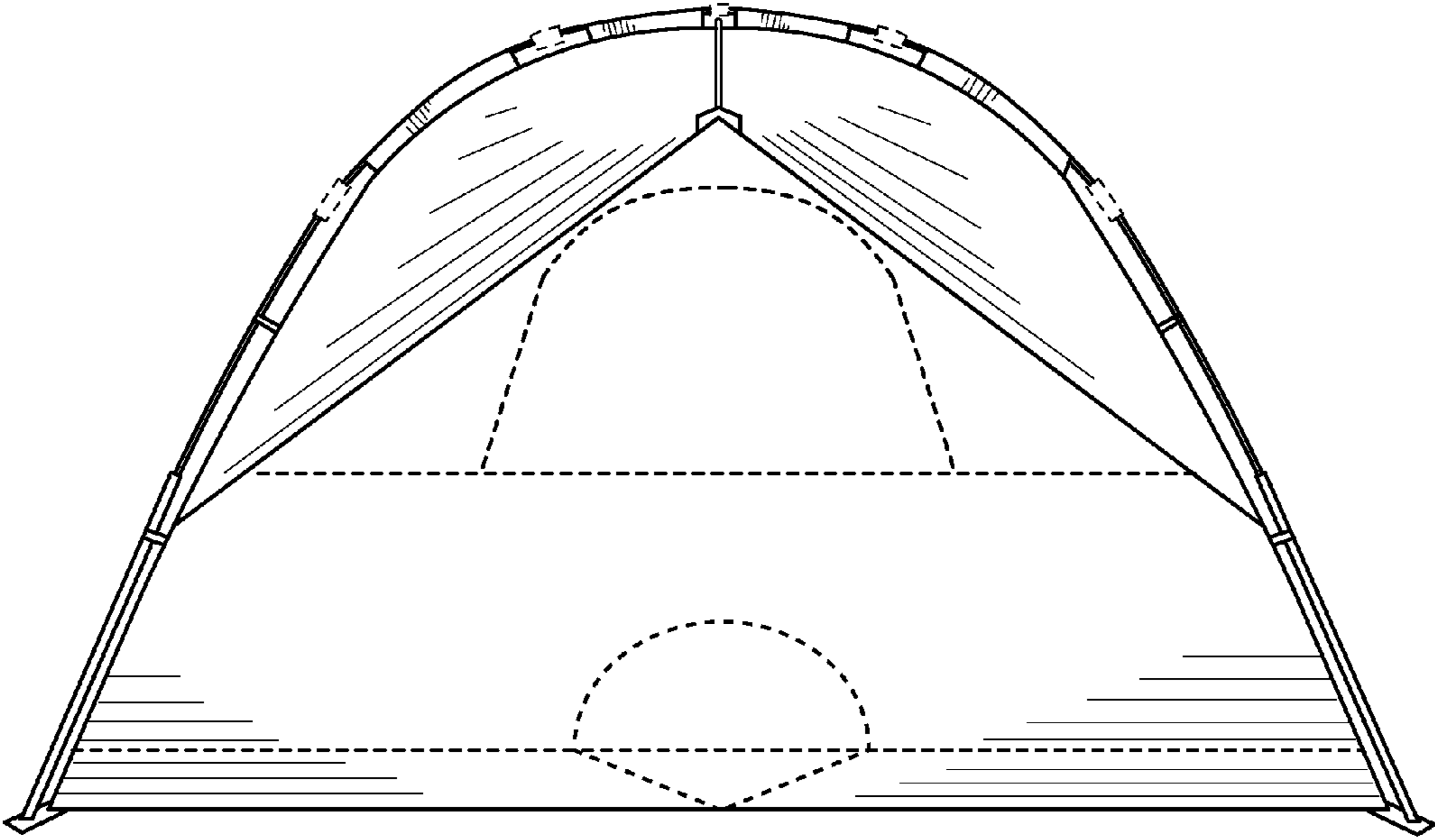


Figure 4

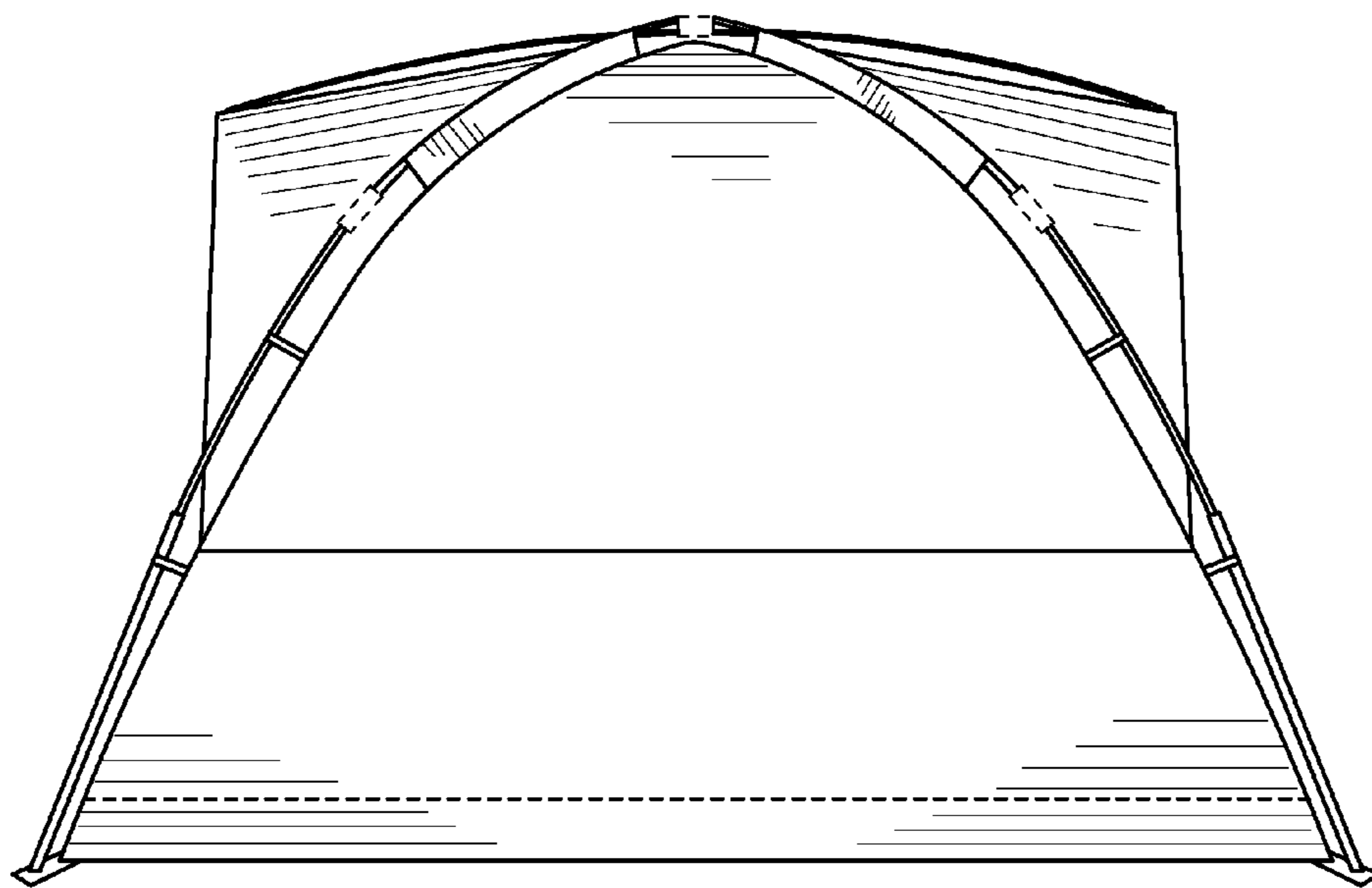


Figure 5

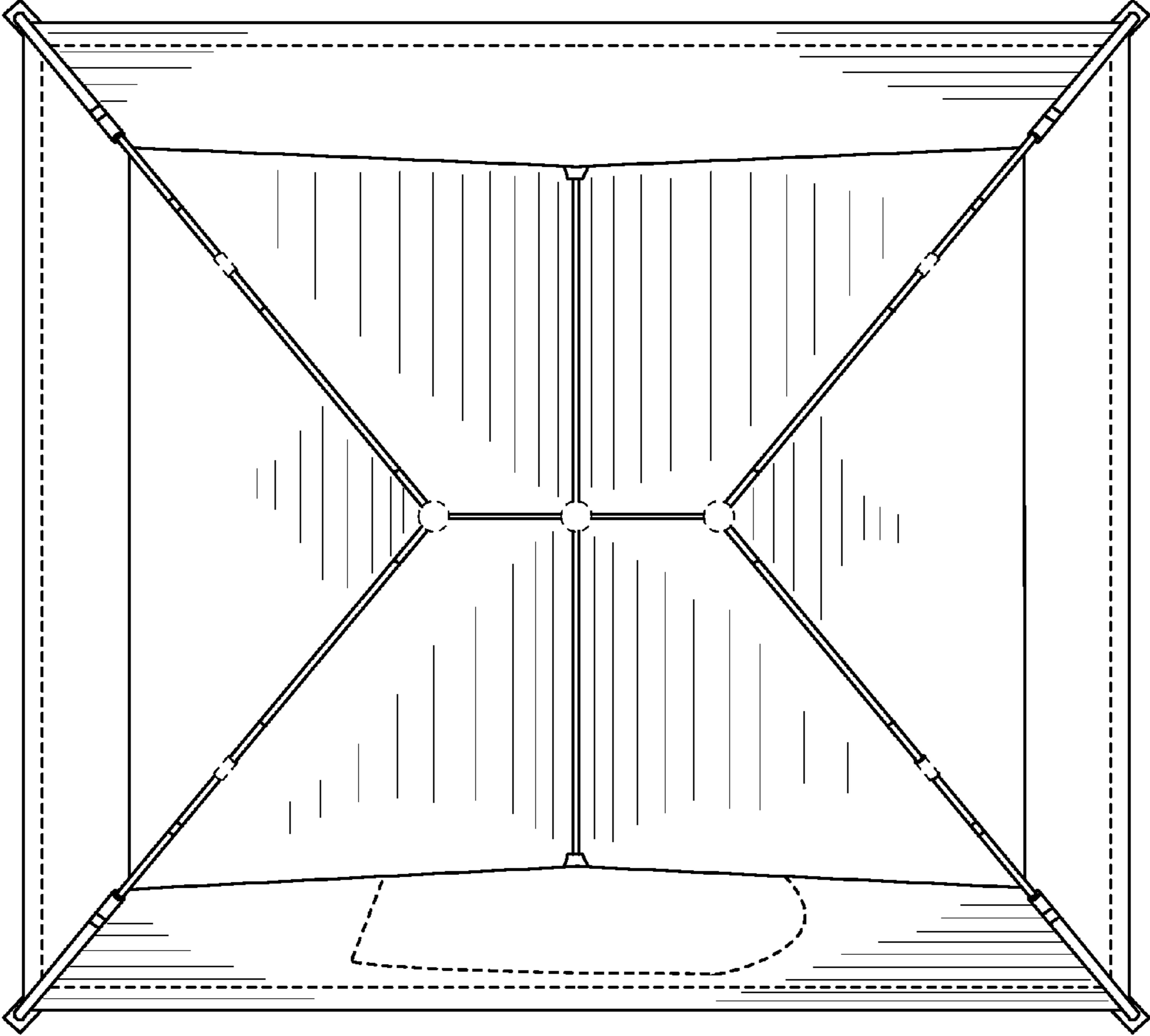


Figure 6

