

US00D696370S

(12) **United States Design Patent**  
**Robison et al.**

(10) **Patent No.:** **US D696,370 S**

(45) **Date of Patent:** **\*\* Dec. 24, 2013**

- (54) **BILLIARD TABLE**
- (71) Applicant: **Brunswick Corporation**, Lake Forest, IL (US)
- (72) Inventors: **Jody A. Robison**, Twin Lakes, WI (US); **William R. McCormick**, Pleasant Prairie, WI (US); **William D. Moore**, Colfax, NC (US); **Channon W. Taylor**, Thomasville, NC (US)
- (73) Assignee: **Brunswick Corporation**, Lake Forest, IL (US)
- (\*\*) Term: **14 Years**
- (21) Appl. No.: **29/432,858**
- (22) Filed: **Sep. 21, 2012**
- (51) **LOC (9) Cl.** ..... **21-01**
- (52) **U.S. Cl.**  
USPC ..... **D21/784**
- (58) **Field of Classification Search**  
USPC ..... D21/782-784; D6/492-597; 473/1, 4, 473/9, 17, 21, 29, 33  
See application file for complete search history.

2,174,613 A	10/1939	Blaschke	
D192,086 S	1/1962	Reineman	
D205,670 S *	9/1966	Reineman	..... D6/498
D208,257 S	8/1967	Kotler	
D215,220 S	9/1969	Eide	
3,881,727 A *	5/1975	Olson	..... 473/4
4,010,949 A	3/1977	Lee	
D257,469 S	10/1980	Moore	
D257,684 S	12/1980	Moore	
4,474,374 A	10/1984	Lewis et al.	
4,909,507 A	3/1990	McKnown	
5,161,797 A *	11/1992	Frasca	..... 473/29
D332,293 S	1/1993	Powers	
D348,298 S	6/1994	Fitzhugh	
D348,916 S	7/1994	Powers	
D349,742 S	8/1994	Tyne	
5,451,187 A	9/1995	Brinkley	
5,791,758 A *	8/1998	Horgan et al.	..... 362/554
D408,487 S	4/1999	McCormick et al.	
D408,488 S *	4/1999	McCormick et al.	..... D21/784
D418,185 S	12/1999	McCormick et al.	
6,102,808 A	8/2000	Wong	
6,149,530 A	11/2000	Shih	
D443,012 S	5/2001	Baker	
D443,325 S	6/2001	Baker	
D448,058 S *	9/2001	Baker	..... D21/784

(Continued)

*Primary Examiner* — Prabhakar Deshmukh  
(74) *Attorney, Agent, or Firm* — Eric D. Bublitz

(56) **References Cited**  
U.S. PATENT DOCUMENTS

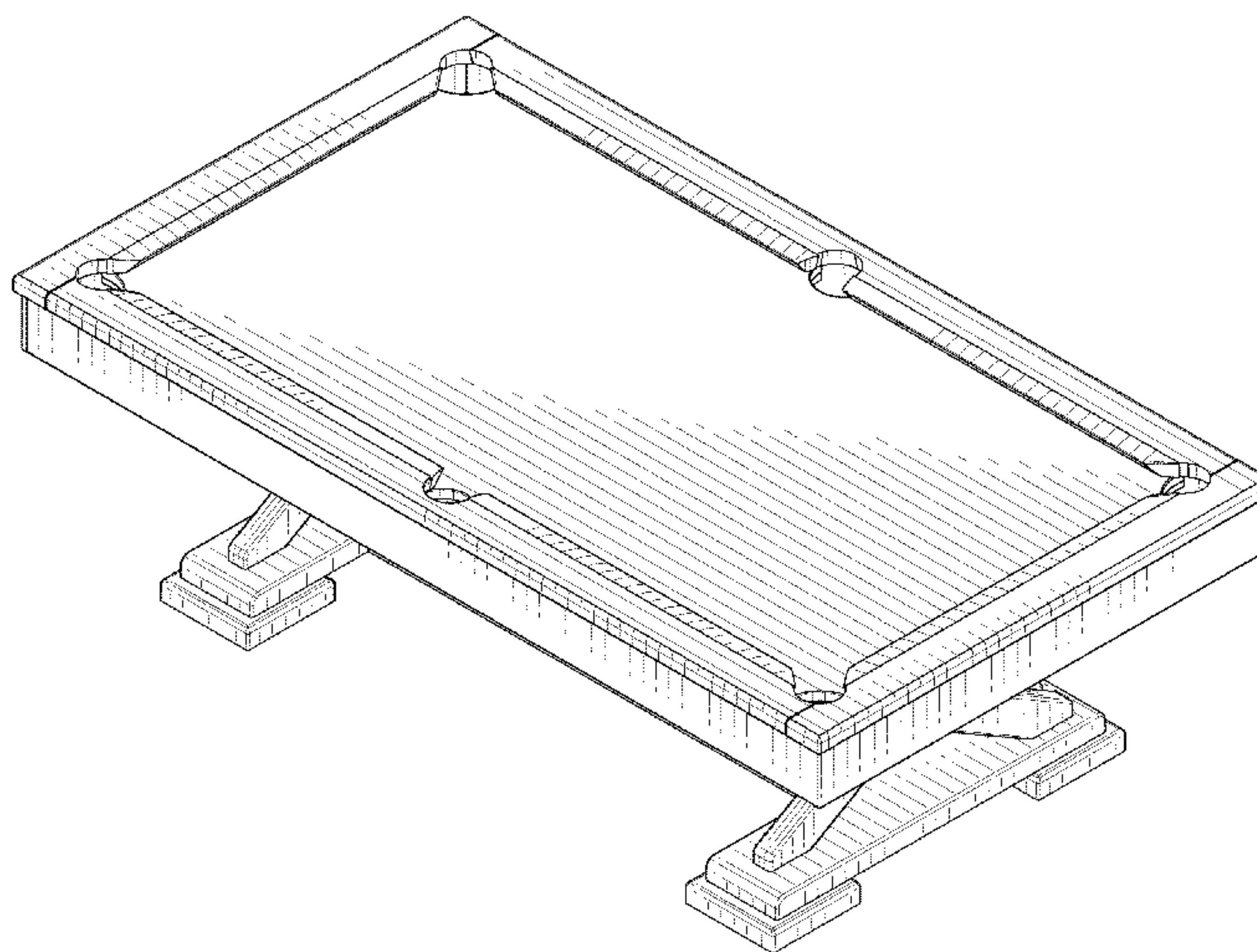
5,322 A	10/1871	Griffith
145,787 A	12/1873	Collender
156,389 A	10/1874	Stiles
373,016 A	11/1887	Dougherty
572,688 A	12/1896	Seifert
1,509,144 A	9/1924	Harmet
1,535,926 A	4/1925	Leone
1,547,996 A	7/1925	Drost et al.
1,568,154 A	1/1926	Hannon et al.
D85,561 S	11/1931	Toce
D85,572 S	11/1931	Burnstine
2,008,613 A	7/1935	Hernes

(57) **CLAIM**  
The ornamental design for a billiard table, as shown and described.

**DESCRIPTION**

FIG. 1 is a perspective view of a billiard table showing our new design.  
FIG. 2 is left side elevational view thereof.  
FIG. 3 is a right side elevational view thereof;  
FIG. 4 is a top plan view thereof; and,  
FIG. 5 is a front elevational view thereof.

**1 Claim, 5 Drawing Sheets**



(56)

**References Cited**

U.S. PATENT DOCUMENTS

D450,103 S *	11/2001	Chevillotte .....	D21/784	D495,766 S	9/2004	Moore, Sr.	
D473,278 S	4/2003	McCormick et al.		D500,543 S *	1/2005	Stein .....	D21/784
6,547,083 B2	4/2003	Zummo		6,866,590 B2	3/2005	Tucker	
6,641,486 B2	11/2003	Shih		6,872,147 B2	3/2005	Shih	
D489,784 S	5/2004	Foley		D505,173 S	5/2005	Foley	
D491,245 S	6/2004	Newhouse		D507,322 S	7/2005	Hobbs et al.	
D494,241 S	8/2004	Moore, Sr.		D510,824 S	10/2005	Moore, Sr.	
D494,242 S	8/2004	McCormick		7,749,090 B2	7/2010	Caron et al.	
				D676,917 S *	2/2013	McCormick et al. ....	D21/784
				2004/0224780 A1	11/2004	Nagle	
				2005/0221902 A1	10/2005	Chen	

\* cited by examiner

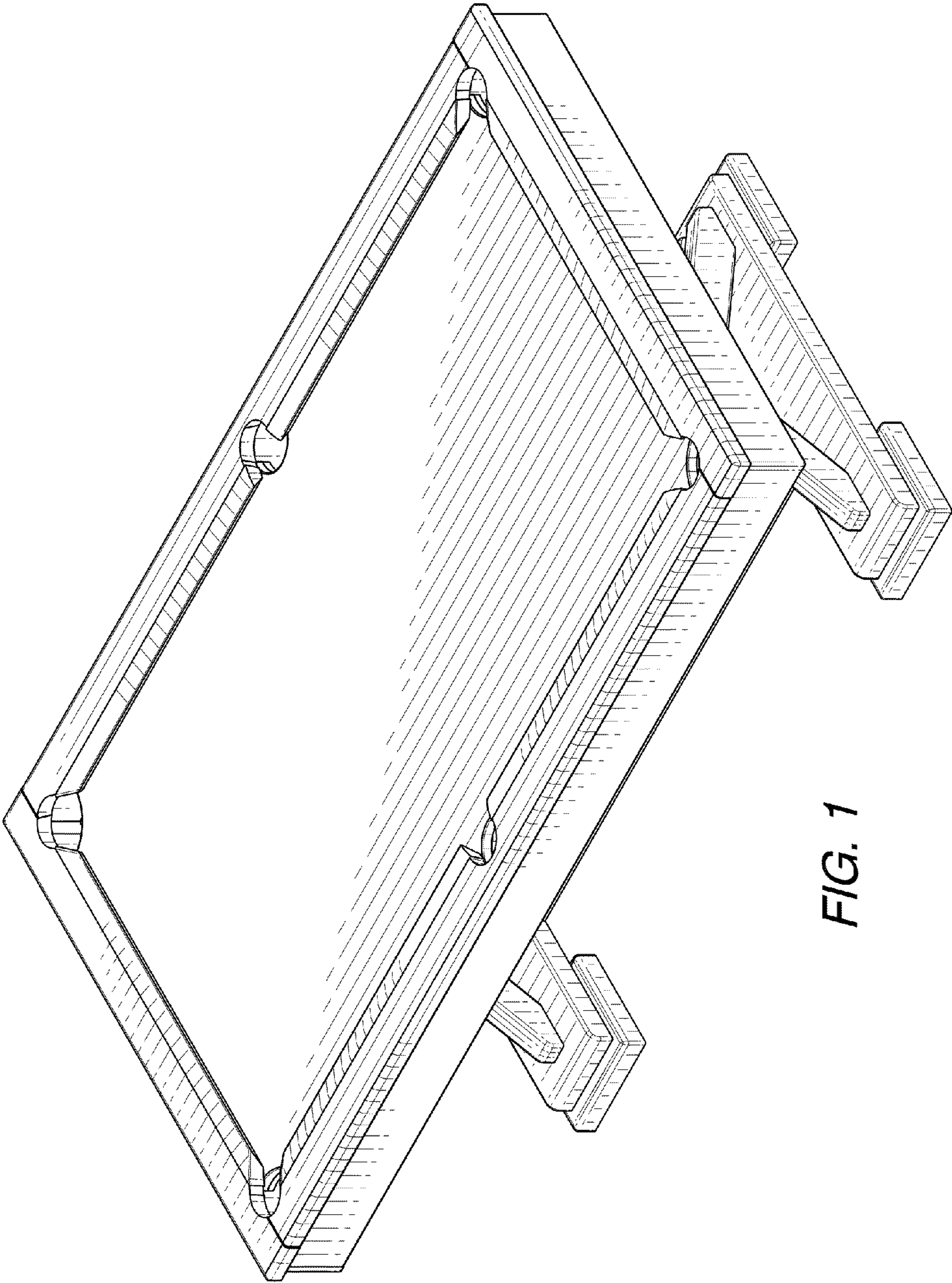


FIG. 1

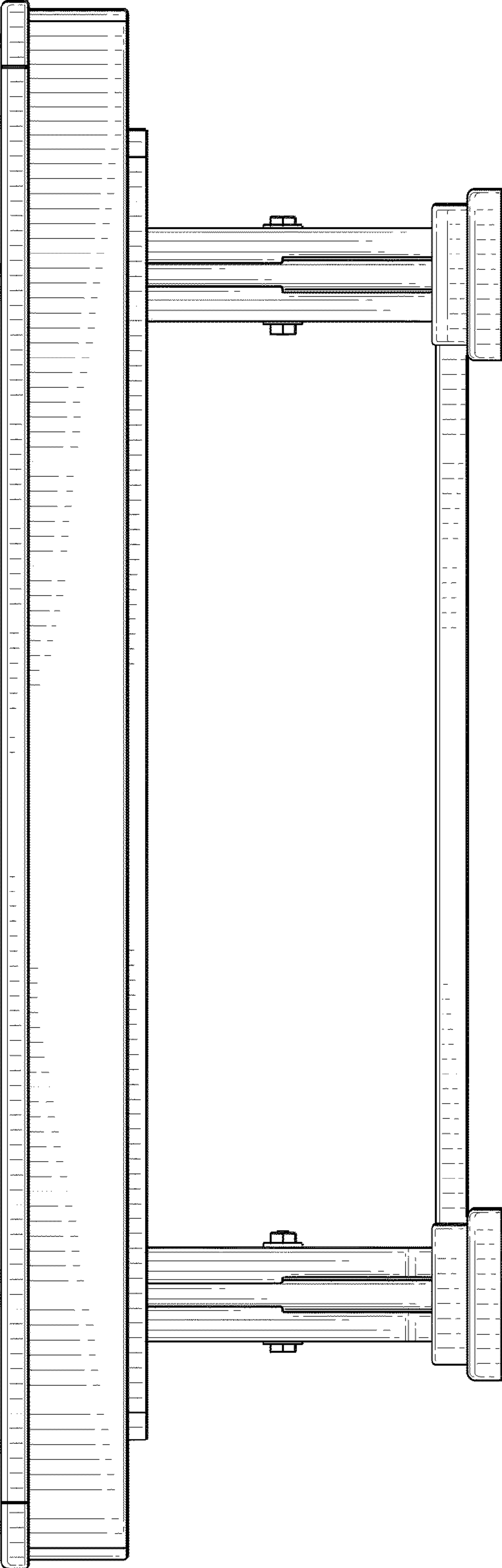


FIG. 2



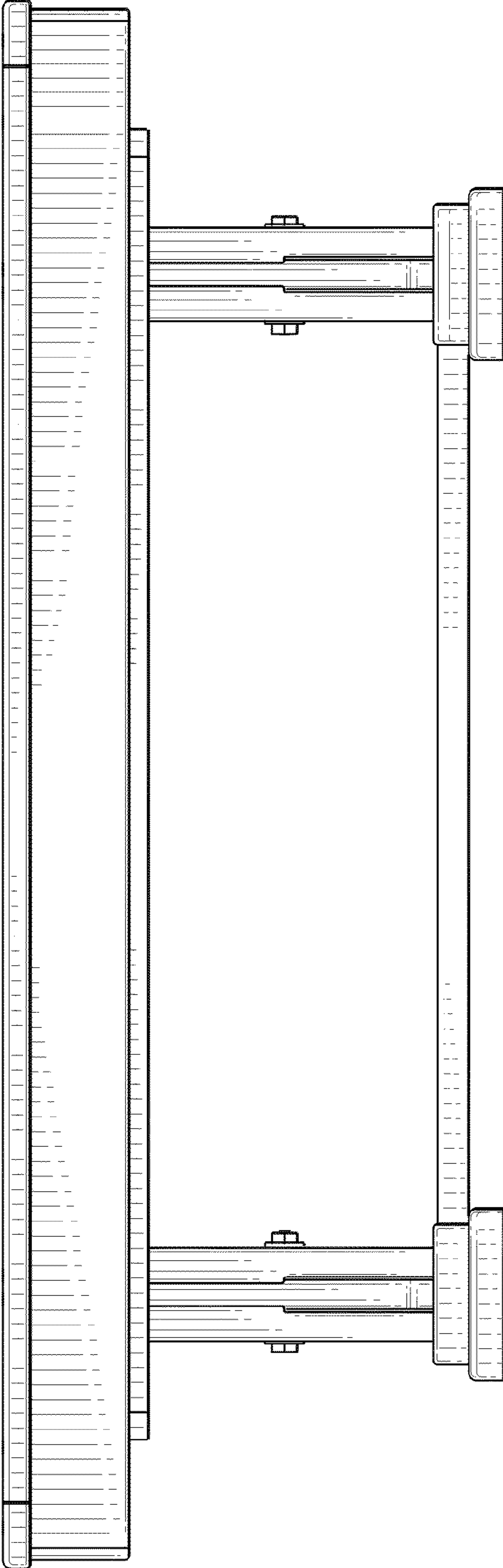


FIG. 3

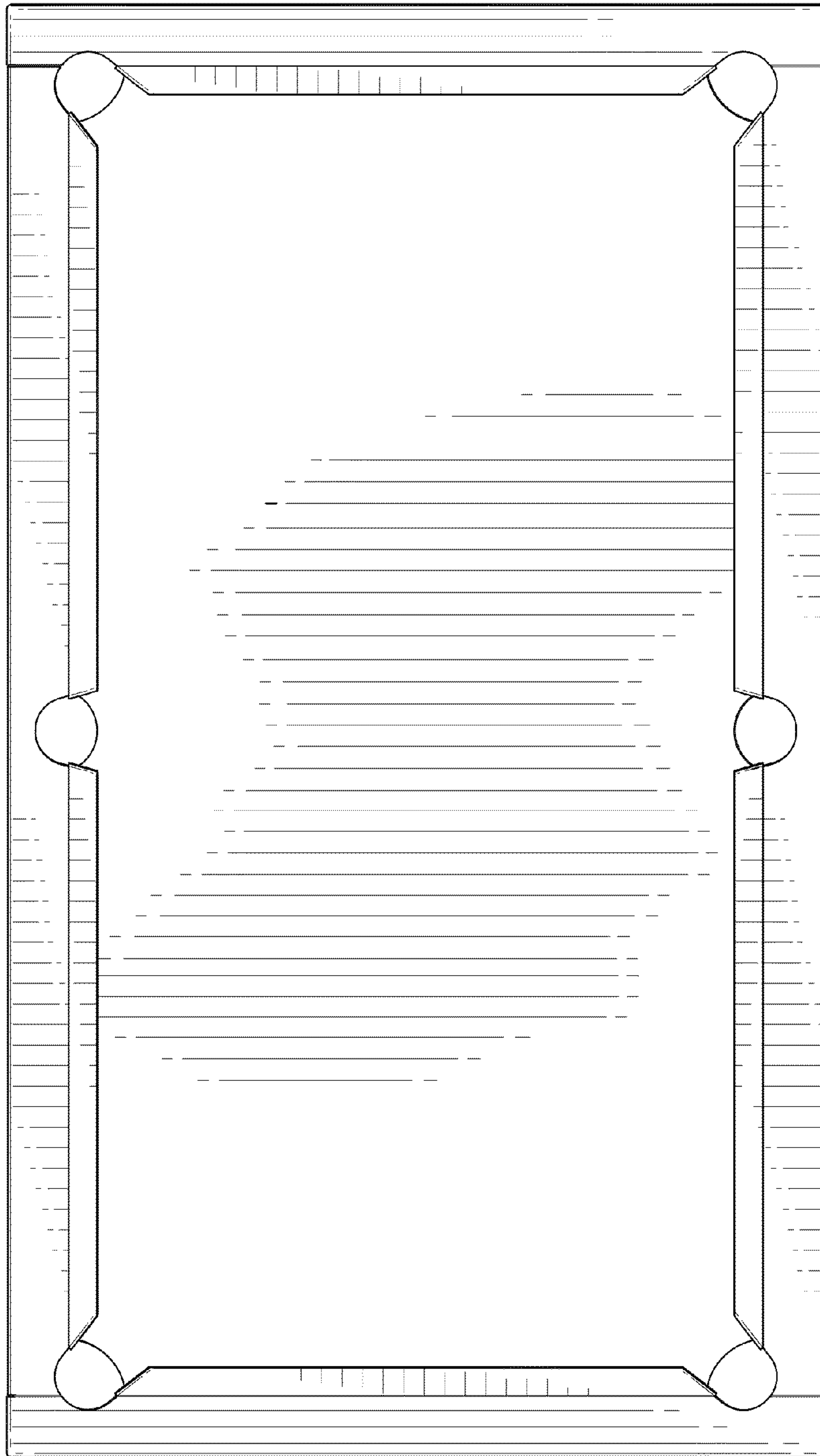
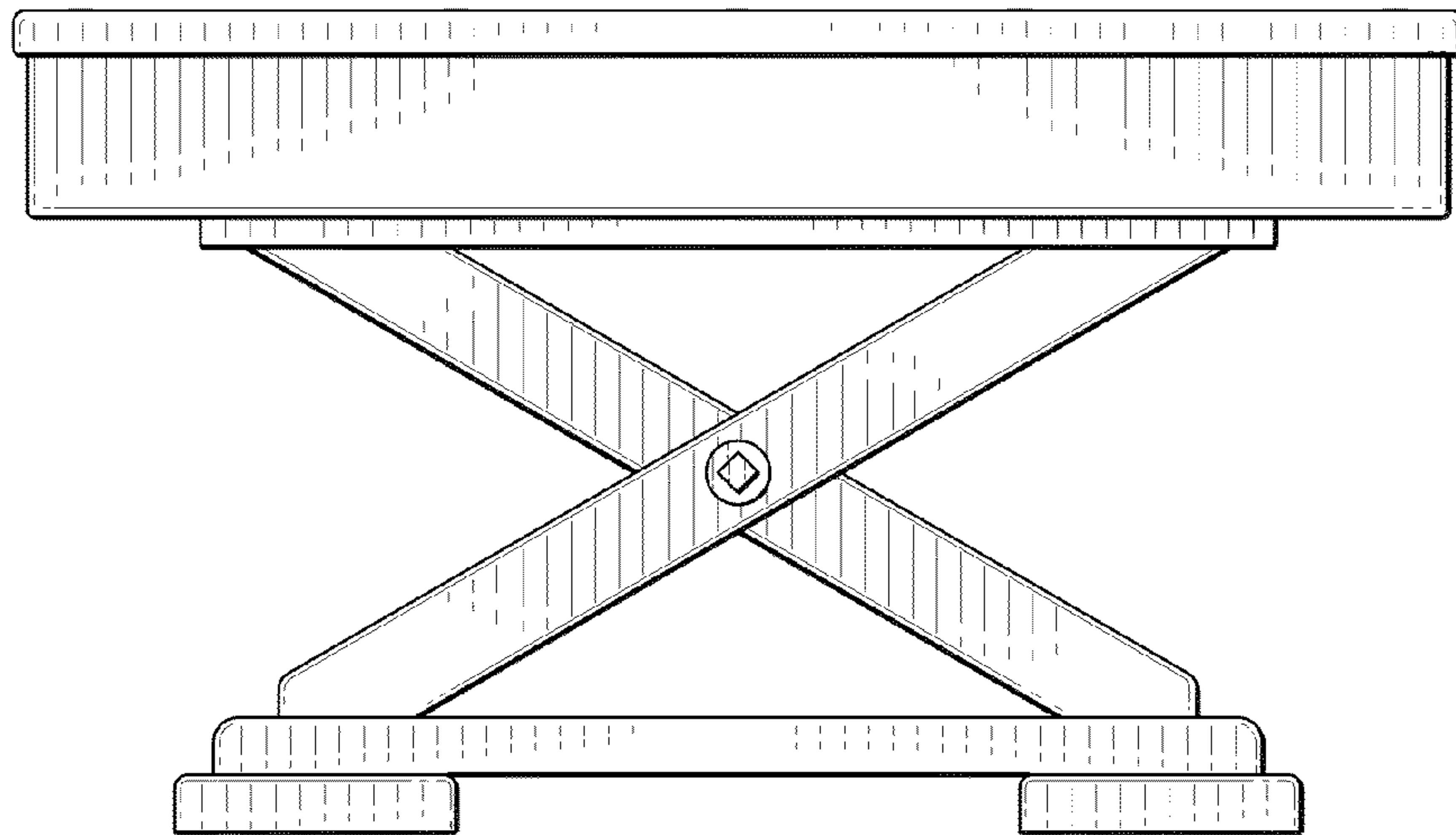


FIG. 4



*FIG. 5*