

US00D696367S

(12) **United States Design Patent**  
**Taylor et al.**

(10) **Patent No.:** **US D696,367 S**

(45) **Date of Patent:** **\*\* Dec. 24, 2013**

(54) **GOLF CLUB HEAD**

(71) Applicant: **Taylor Made Golf Company, Inc.**,  
Carlsbad, CA (US)

(72) Inventors: **Scott Taylor**, Bonita, CA (US); **Peter L. Larsen**, San Marcos, CA (US); **Joshua J. Dipert**, Carlsbad, CA (US)

(73) Assignee: **Taylor Made Golf Company, Inc.**,  
Carlsbad, CA (US)

(\*\*) Term: **14 Years**

(21) Appl. No.: **29/436,602**

(22) Filed: **Nov. 7, 2012**

(51) **LOC (9) Cl.** ..... **21-02**

(52) **U.S. Cl.**  
USPC ..... **D21/747**

(58) **Field of Classification Search**  
USPC ..... D21/747-751, 759; 473/324-331, 350,  
473/304-305, 314

See application file for complete search history.

(56) **References Cited**

**U.S. PATENT DOCUMENTS**

D307,455 S \* 4/1990 Boone ..... D21/744  
D307,617 S \* 5/1990 Boone ..... D21/744

(Continued)

**FOREIGN PATENT DOCUMENTS**

CN 2436182 6/2001  
CN 201353407 12/2009

(Continued)

**OTHER PUBLICATIONS**

Adams Golf Speedline F11 Ti 14.5 degree fairway wood (www.bombsquadgolf.com, posted Oct. 18, 2010).

(Continued)

*Primary Examiner* — Mitchell Siegel

(74) *Attorney, Agent, or Firm* — Klarquist Sparkman, LLP

(57) **CLAIM**

We claim the ornamental design for a golf club head, as shown and described.

**DESCRIPTION**

FIG. 1 is a perspective view of a golf club head, as viewed from the rear, bottom and heel side, according to one embodiment.

FIG. 2 is a front elevation view of the golf club head of FIG. 1.

FIG. 3 is a rear elevation view of the golf club head of FIG. 1. FIG. 4 is a side elevation view of the toe of the golf club head of FIG. 1.

FIG. 5 is a side elevation view of the heel of the golf club head of FIG. 1.

FIG. 6 is a top plan view of the golf club head of FIG. 1.

FIG. 7 is a bottom plan view of the golf club head of FIG. 1.

FIG. 8 is a perspective view of the golf club head as viewed from the rear and above.

FIG. 9 is a perspective view of a golf club head, as viewed from the rear, bottom and heel side, according to a second embodiment.

FIG. 10 is a front elevation view of the golf club head of FIG. 9.

FIG. 11 is a rear elevation view of the golf club head of FIG. 9.

FIG. 12 is a side elevation view of the toe of the golf club head of FIG. 9.

FIG. 13 is a side elevation view of the heel of the golf club head of FIG. 9.

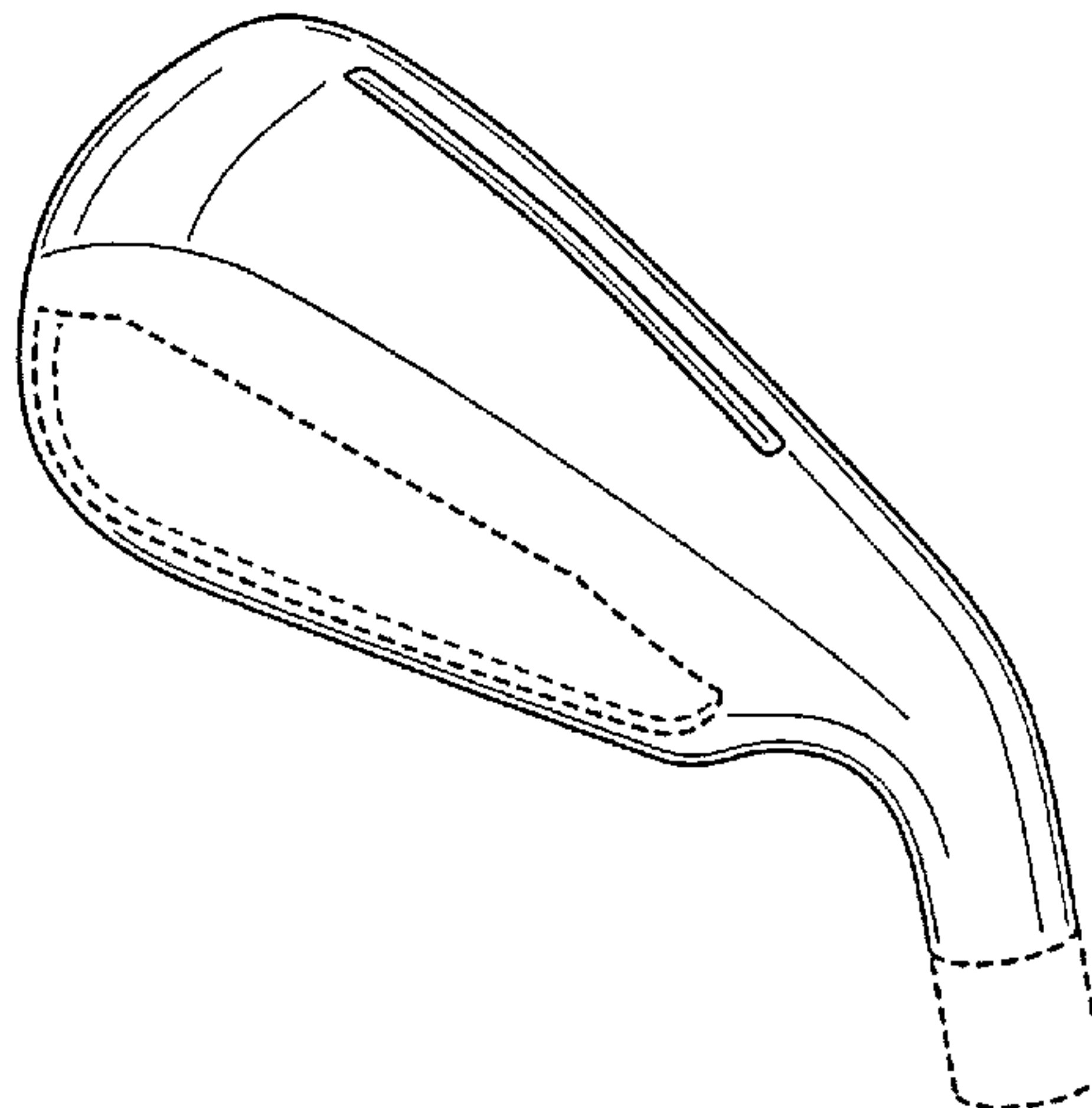
FIG. 14 is a top plan view of the golf club head of FIG. 9.

FIG. 15 is a bottom plan view of the golf club head of FIG. 9; and,

FIG. 16 is a perspective view of the golf club head of FIG. 9 as viewed from the rear and above.

The dashed lines in the drawings are for illustrative purposes only and form no part of the claimed design.

**1 Claim, 10 Drawing Sheets**



(56)

References Cited

U.S. PATENT DOCUMENTS

5,050,879 A 9/1991 Sun et al.  
D331,087 S \* 11/1992 Fenton ..... D21/744  
D339,397 S \* 9/1993 Inuma ..... D21/750  
D340,753 S \* 10/1993 Miesch ..... D21/743  
D345,775 S \* 4/1994 Poincenot et al. .... D21/750  
D349,142 S \* 7/1994 Boone ..... D21/743  
D350,581 S \* 9/1994 Boone ..... D21/743  
D350,583 S \* 9/1994 Boone ..... D21/743  
5,419,556 A 5/1995 Take  
D381,726 S \* 7/1997 Sugo ..... D21/745  
D388,143 S \* 12/1997 Huan-Chiang ..... D21/745  
D398,353 S \* 9/1998 Wooten ..... D21/742  
6,348,013 B1 2/2002 Kosmatka  
6,558,273 B2 5/2003 Kobayashi et al.  
6,638,180 B2 10/2003 Tsurumaki  
6,663,506 B2 12/2003 Nishimoto et al.  
6,835,145 B2 12/2004 Tsurumaki  
D501,903 S \* 2/2005 Tanaka ..... D21/752  
6,887,165 B2 5/2005 Tsurumaki  
D518,123 S 3/2006 Jones et al.  
D526,038 S \* 8/2006 Kelley ..... D21/759  
7,273,423 B2 9/2007 Imamoto  
D552,702 S \* 10/2007 Cameron ..... D21/759  
7,294,064 B2 11/2007 Tsurumaki et al.  
D565,685 S \* 4/2008 Homma ..... D21/759  
D574,456 S \* 8/2008 Chen et al. .... D21/759  
D589,107 S \* 3/2009 Oldknow ..... D21/759  
7,500,924 B2 3/2009 Yokota  
7,530,901 B2 5/2009 Imamoto et al.  
7,563,175 B2 7/2009 Nishitani et al.  
7,572,193 B2 8/2009 Yokota  
7,582,024 B2 9/2009 Shear  
D611,555 S 3/2010 Oldknow  
D612,004 S 3/2010 Oldknow  
D612,440 S 3/2010 Oldknow  
D613,358 S \* 4/2010 Kim et al. .... D21/748  
D628,257 S \* 11/2010 Albertsen et al. .... D21/759  
7,857,711 B2 12/2010 Shear  
D630,278 S \* 1/2011 Albertsen et al. .... D21/759  
D630,696 S 1/2011 Albertsen et al.  
D631,119 S 1/2011 Albertsen et al.

D655,363 S 3/2012 Vrska  
2002/0055396 A1 5/2002 Nishimoto et al.  
2002/0123394 A1 9/2002 Tsurumaki  
2004/0176183 A1 9/2004 Tsurumaki  
2004/0192463 A1 9/2004 Tsurumaki et al.  
2007/0026961 A1\* 2/2007 Hou ..... 473/329  
2007/0049417 A1 3/2007 Shear  
2010/0113176 A1 5/2010 Boyd et al.  
2011/0151989 A1 6/2011 Golden et al.  
2011/0151997 A1 6/2011 Shear  
2011/0218053 A1 9/2011 Tang et al.  
2011/0294599 A1 12/2011 Albertsen et al.  
2012/0270676 A1 10/2012 Burnett et al.

FOREIGN PATENT DOCUMENTS

JP 4180778 6/1992  
JP 2000014841 1/2000  
JP 2001054595 2/2001  
JP 2001170225 6/2001  
JP 2001204856 7/2001  
JP 2001346918 12/2001  
JP 2002003969 1/2002  
JP 2002017910 1/2002  
JP 2002052099 2/2002  
JP 2002248183 9/2002  
JP 2002253706 9/2002  
JP 2003038691 2/2003  
JP 2003126311 5/2003  
JP 2003226952 8/2003  
JP 2004174224 6/2004  
JP 2004183058 7/2004  
JP 2004-351173 12/2004  
JP 2005028170 2/2005  
JP 04128970 7/2008  
JP 2009000281 1/2009

OTHER PUBLICATIONS

Non-Final Office action, U.S. Appl. No. 29/416,410, 9pp. (Nov. 23, 2012).  
Non-Final Office action, U.S. Appl. No. 29/416,411, 9pp. (Nov. 21, 2012).

\* cited by examiner

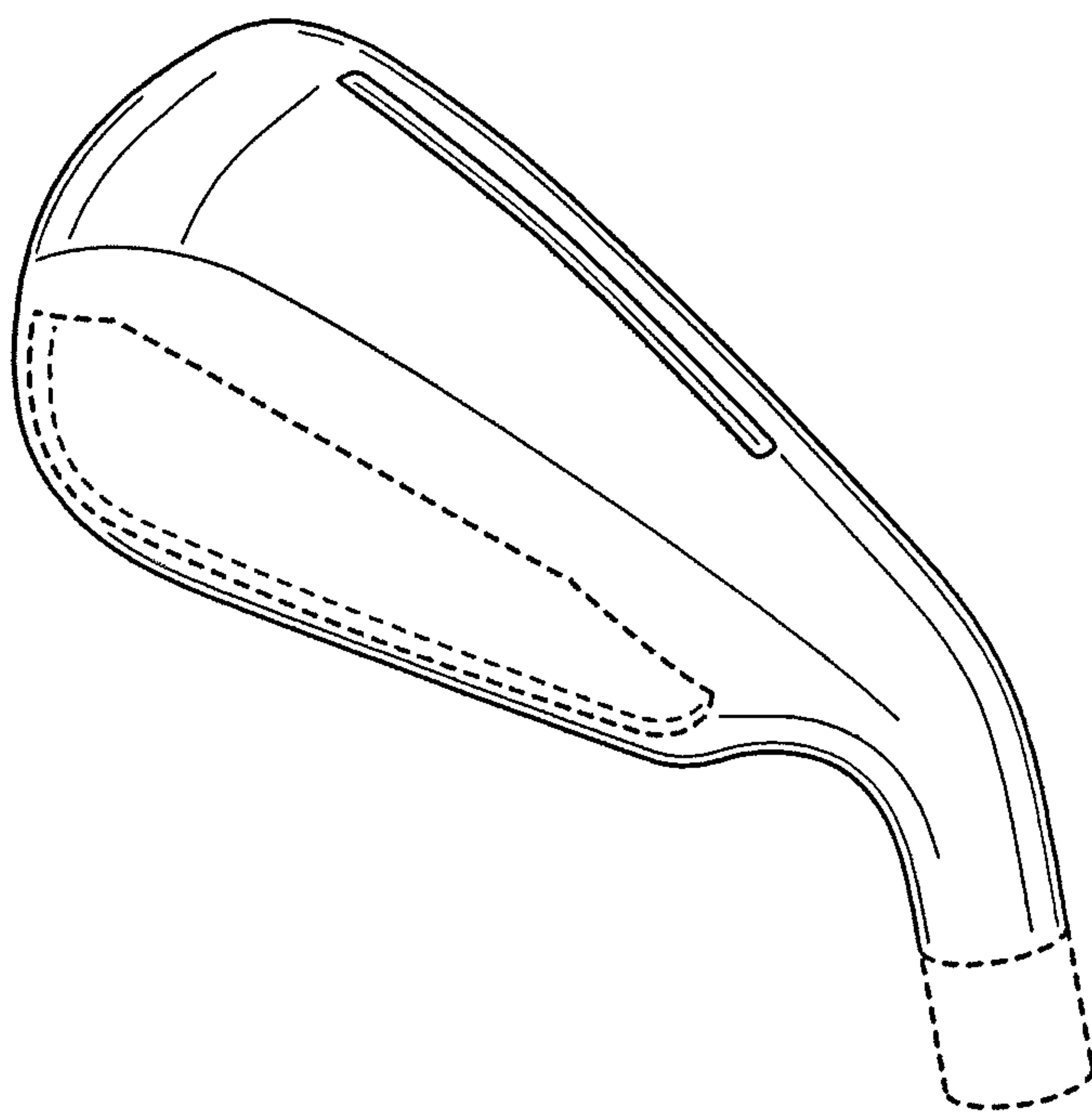


FIG. 1

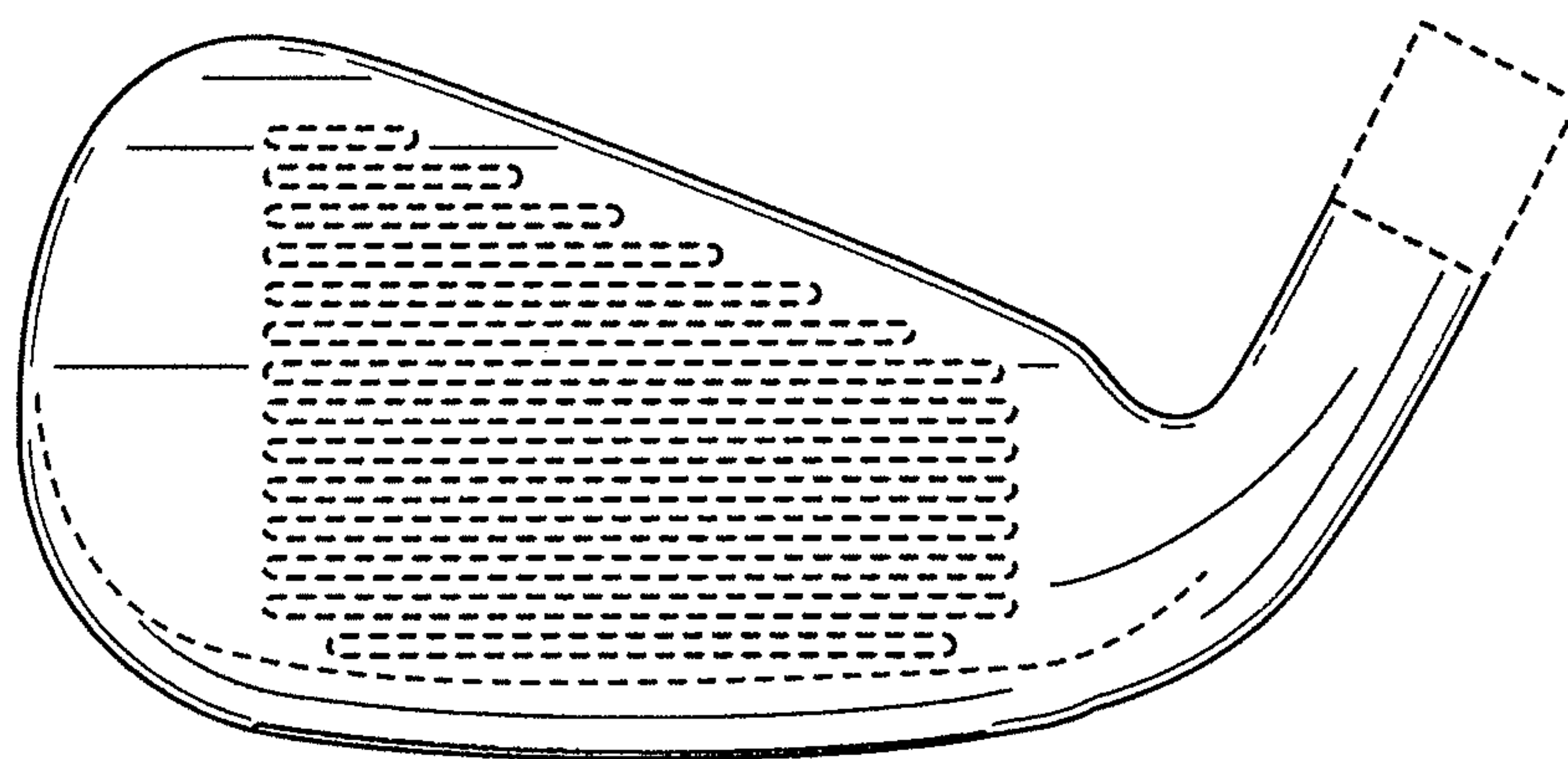


FIG. 2

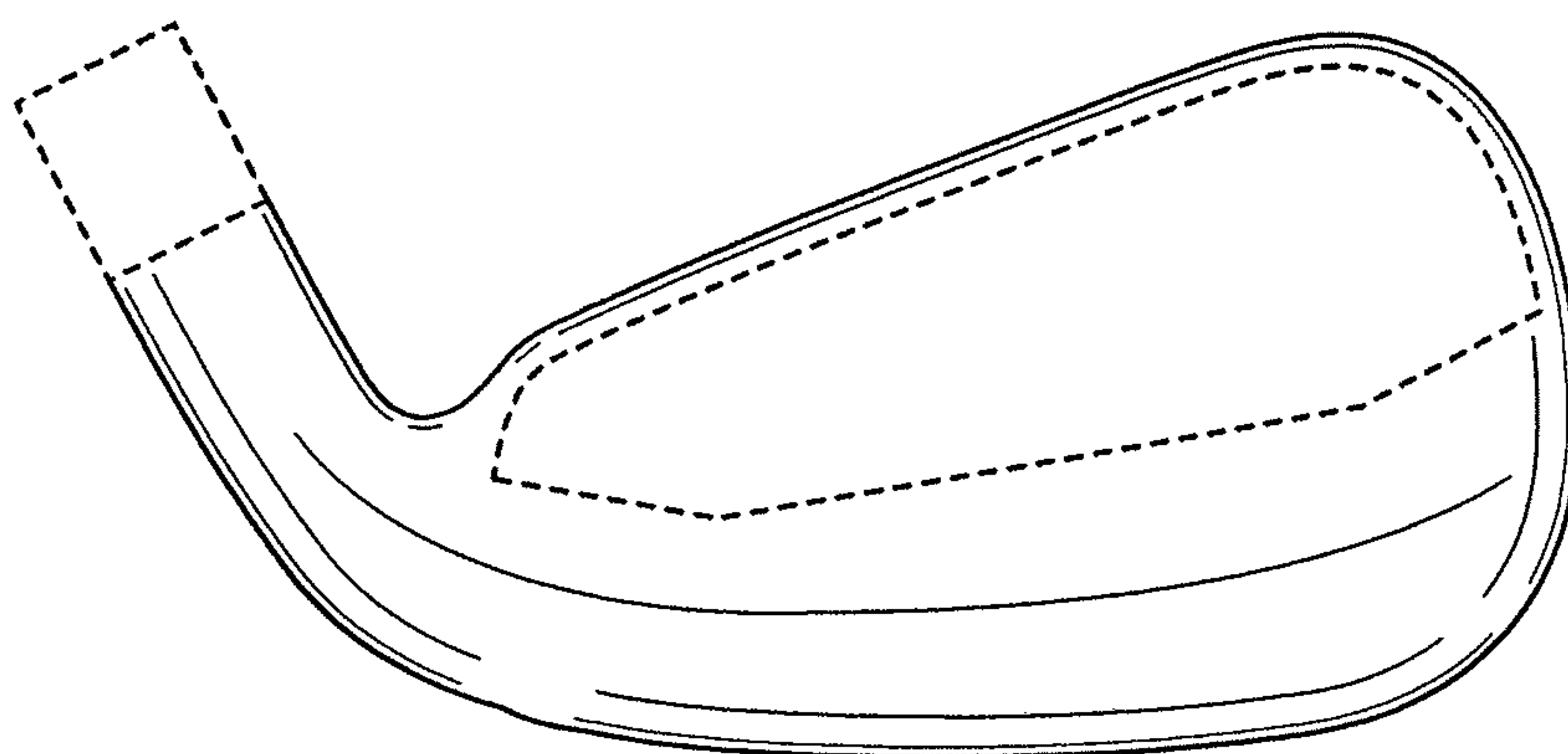


FIG. 3



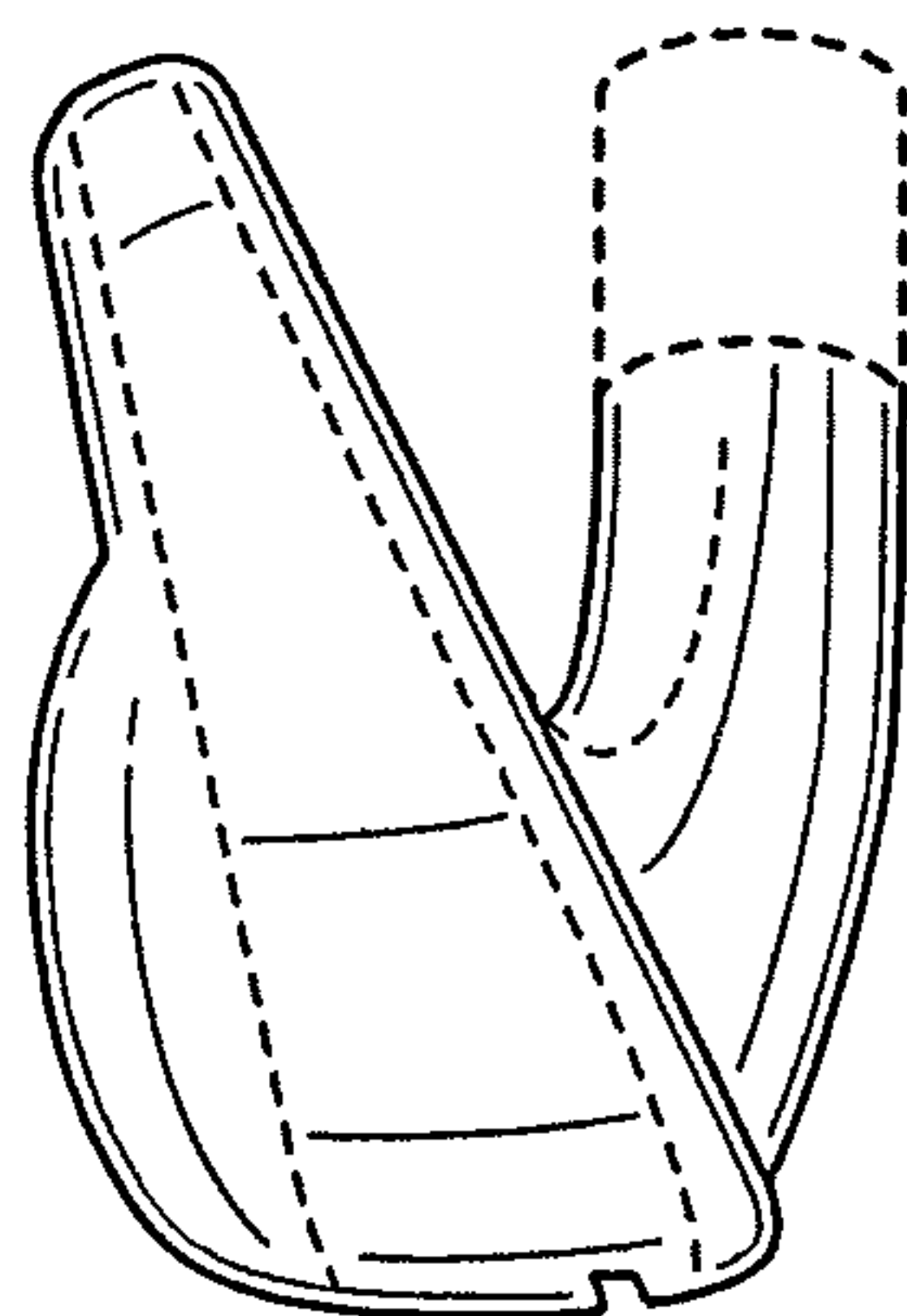


FIG. 4

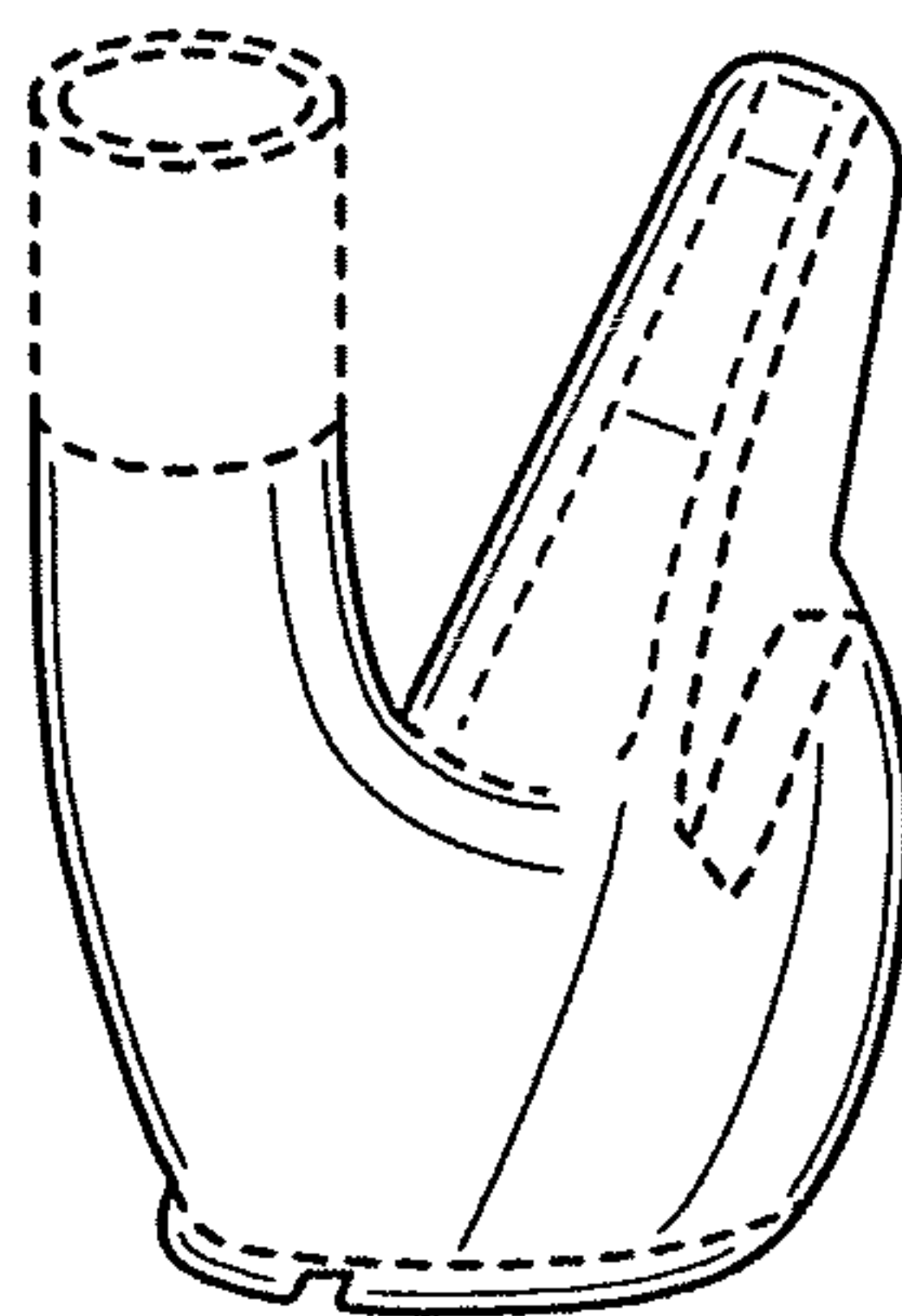


FIG. 5

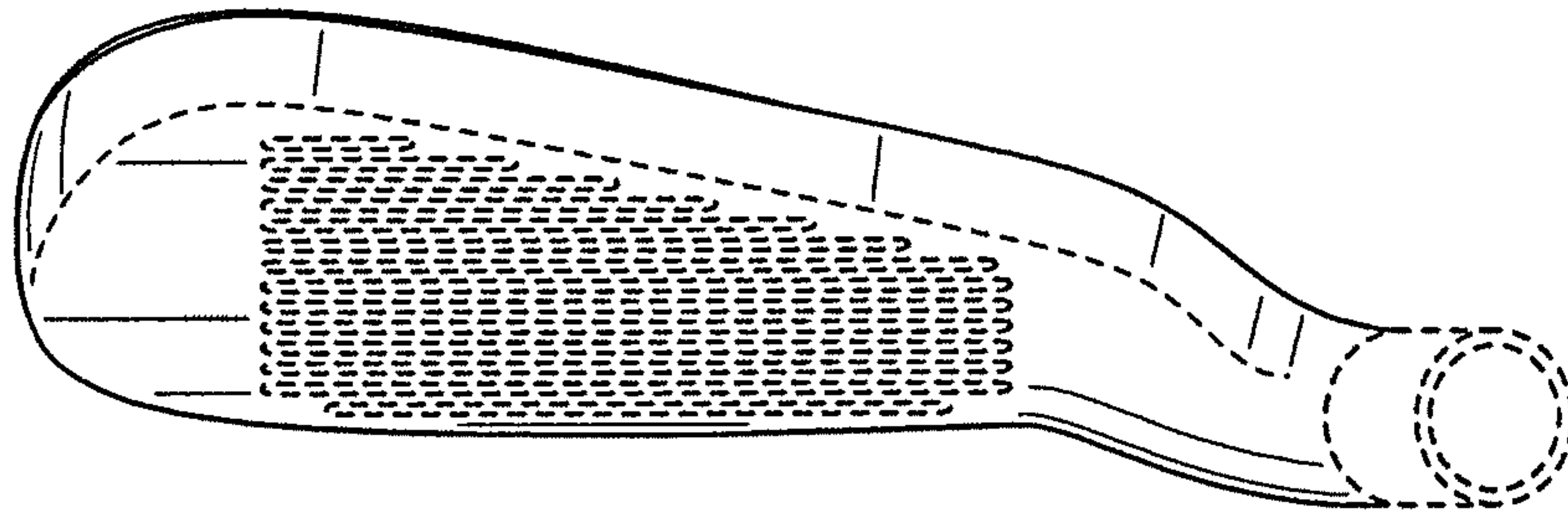


FIG. 6

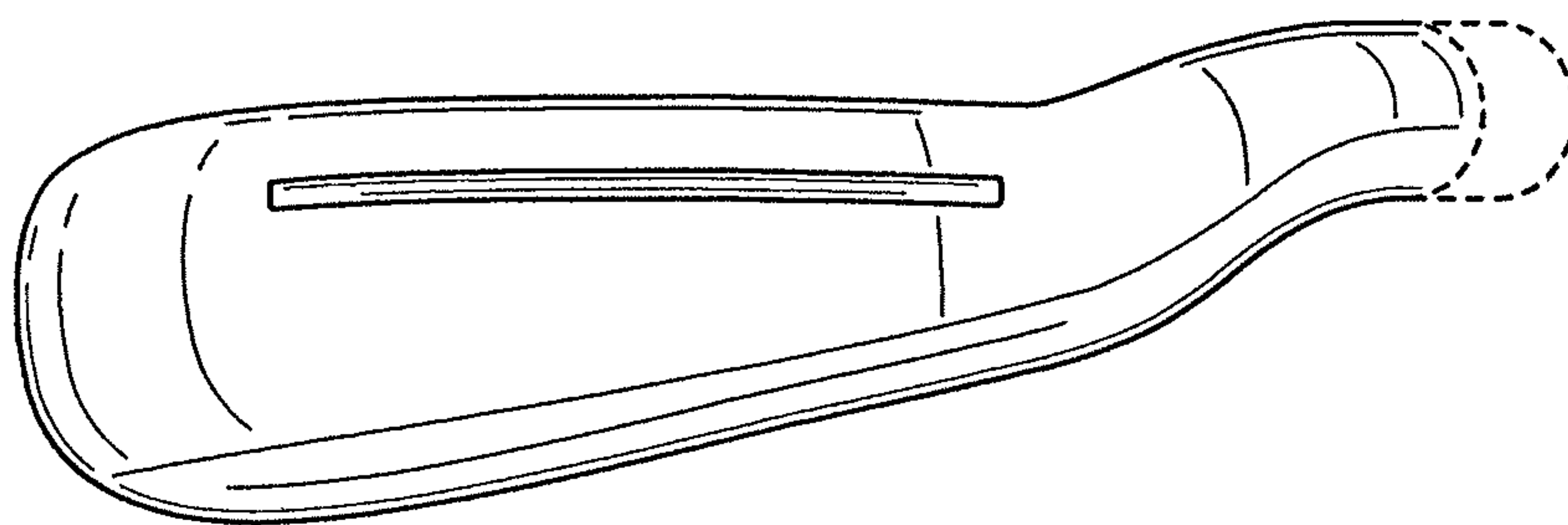


FIG. 7

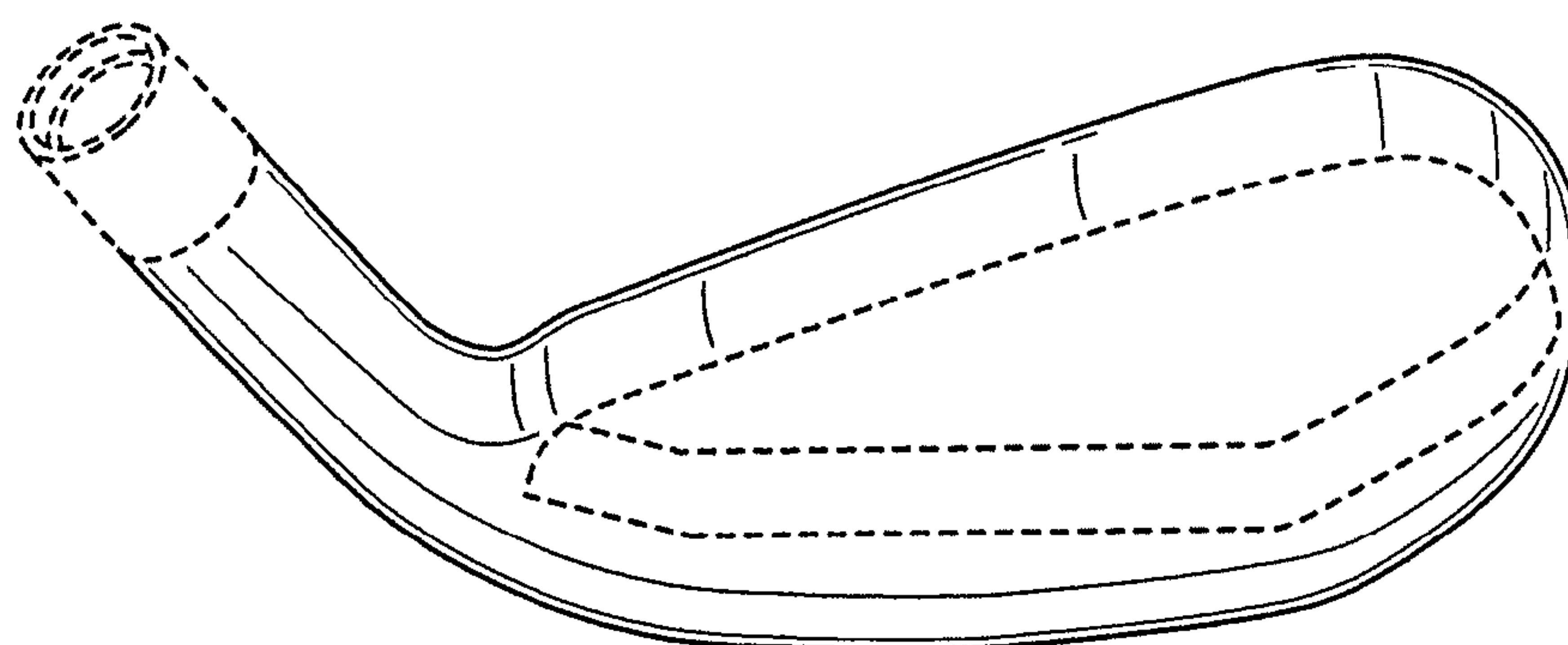


FIG. 8

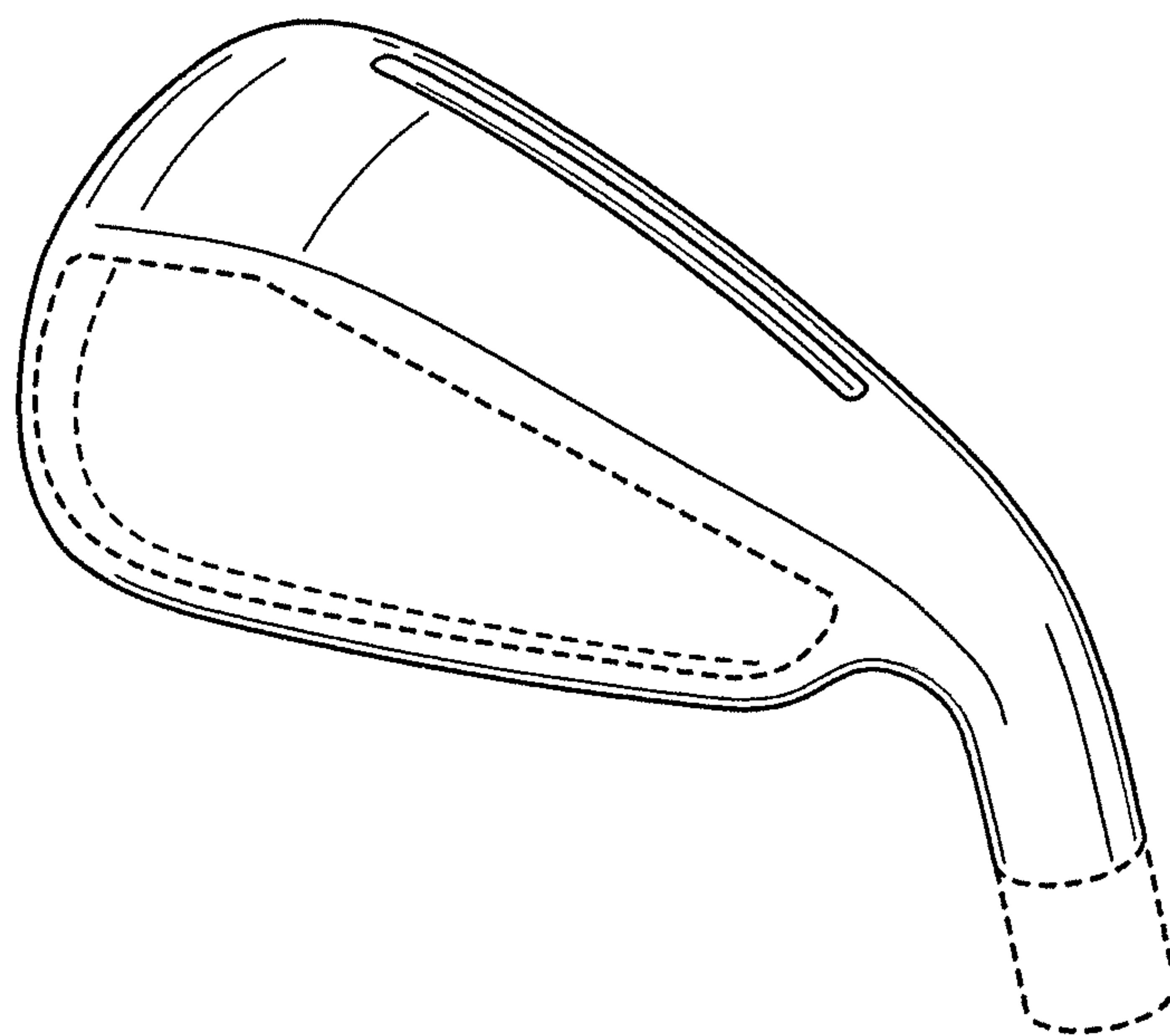


FIG. 9



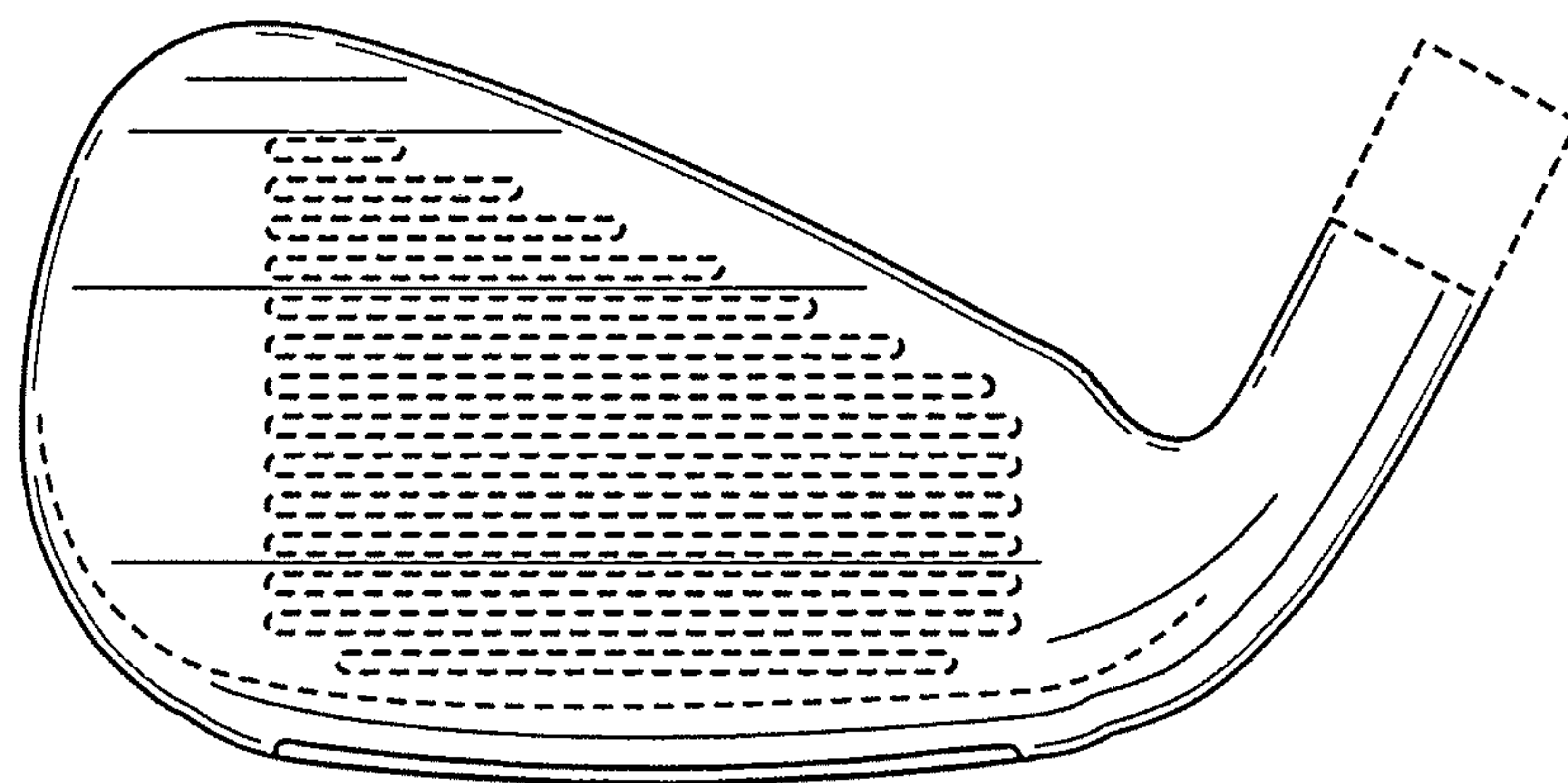


FIG. 10

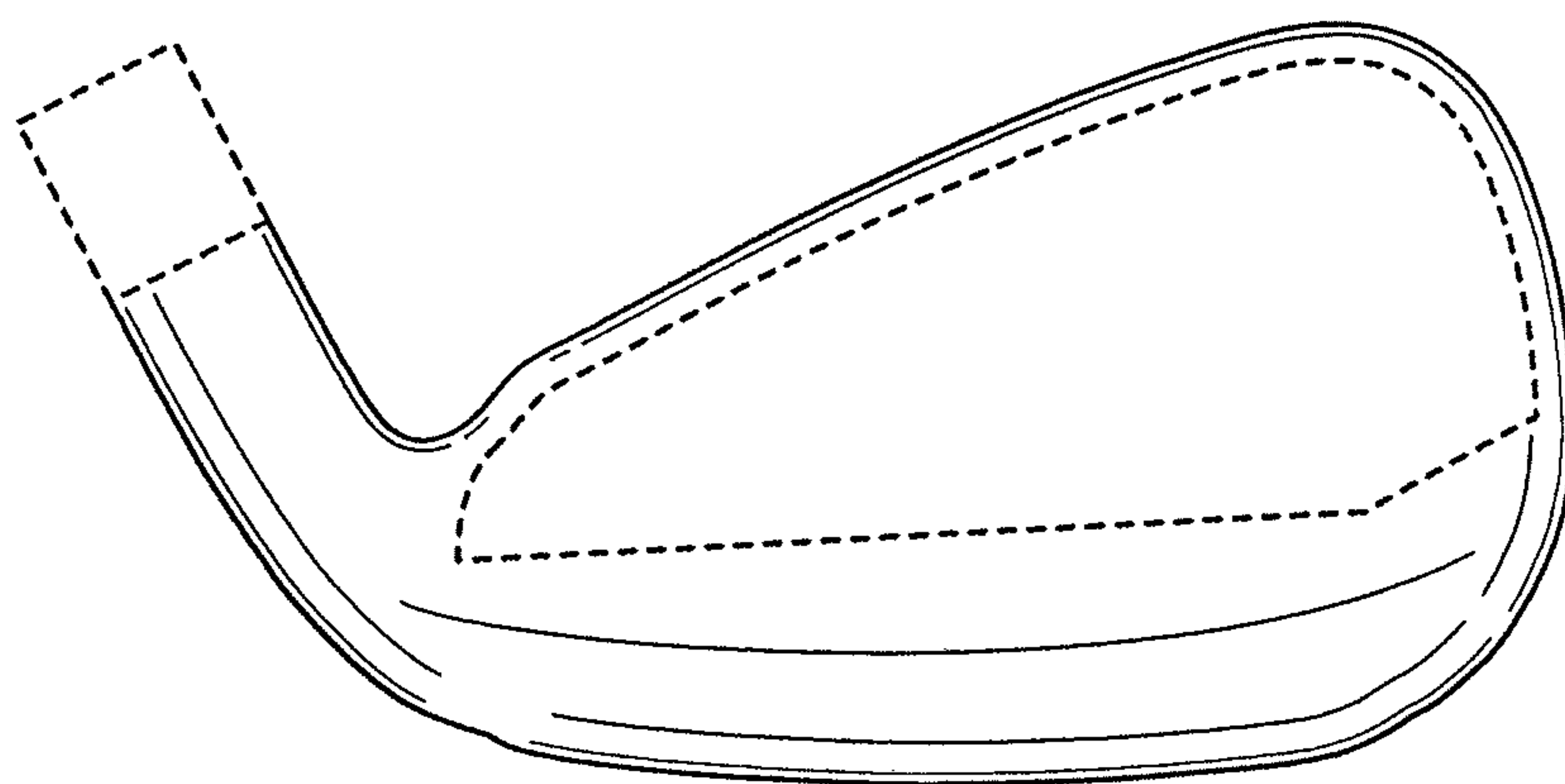


FIG. 11

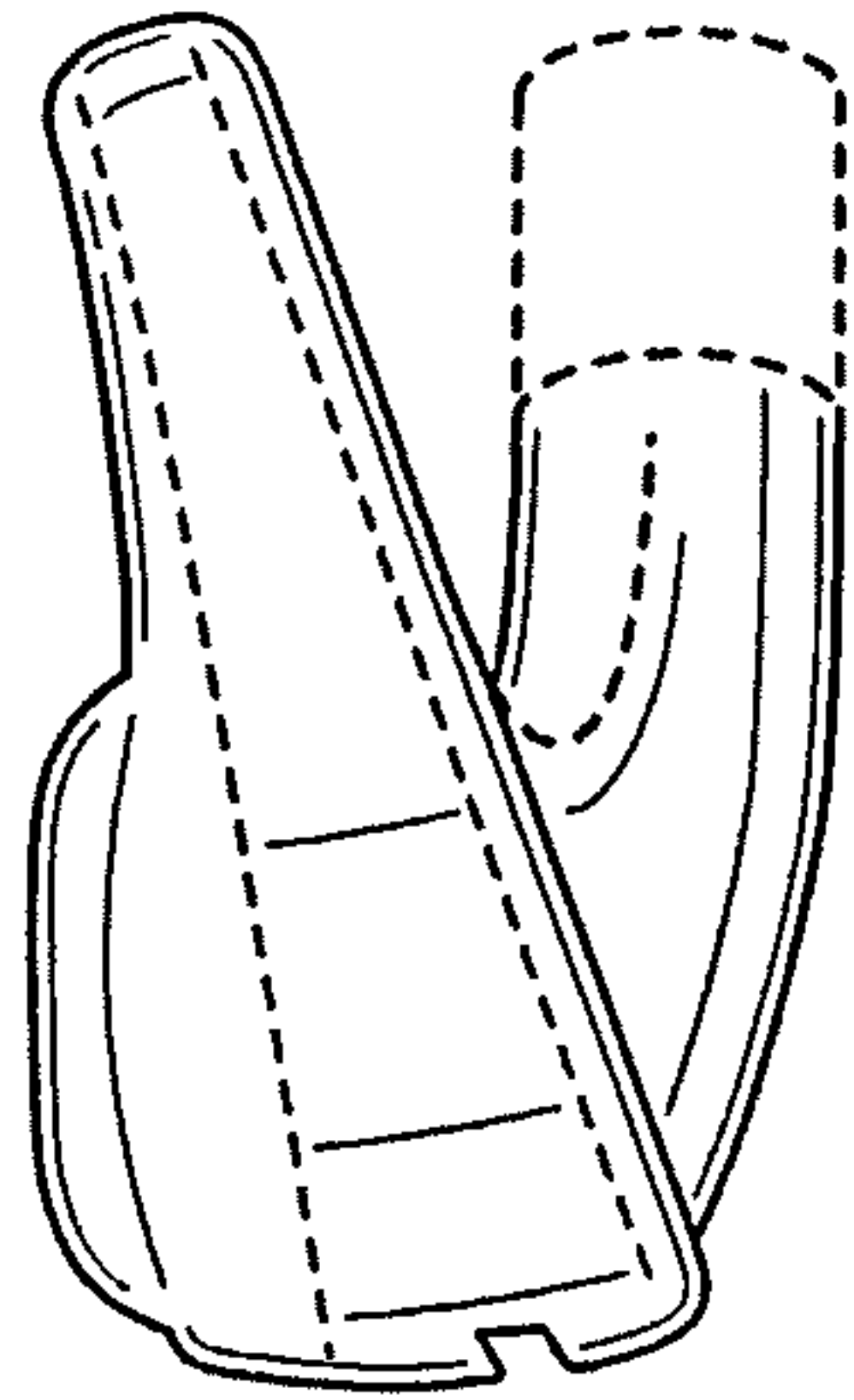


FIG. 12

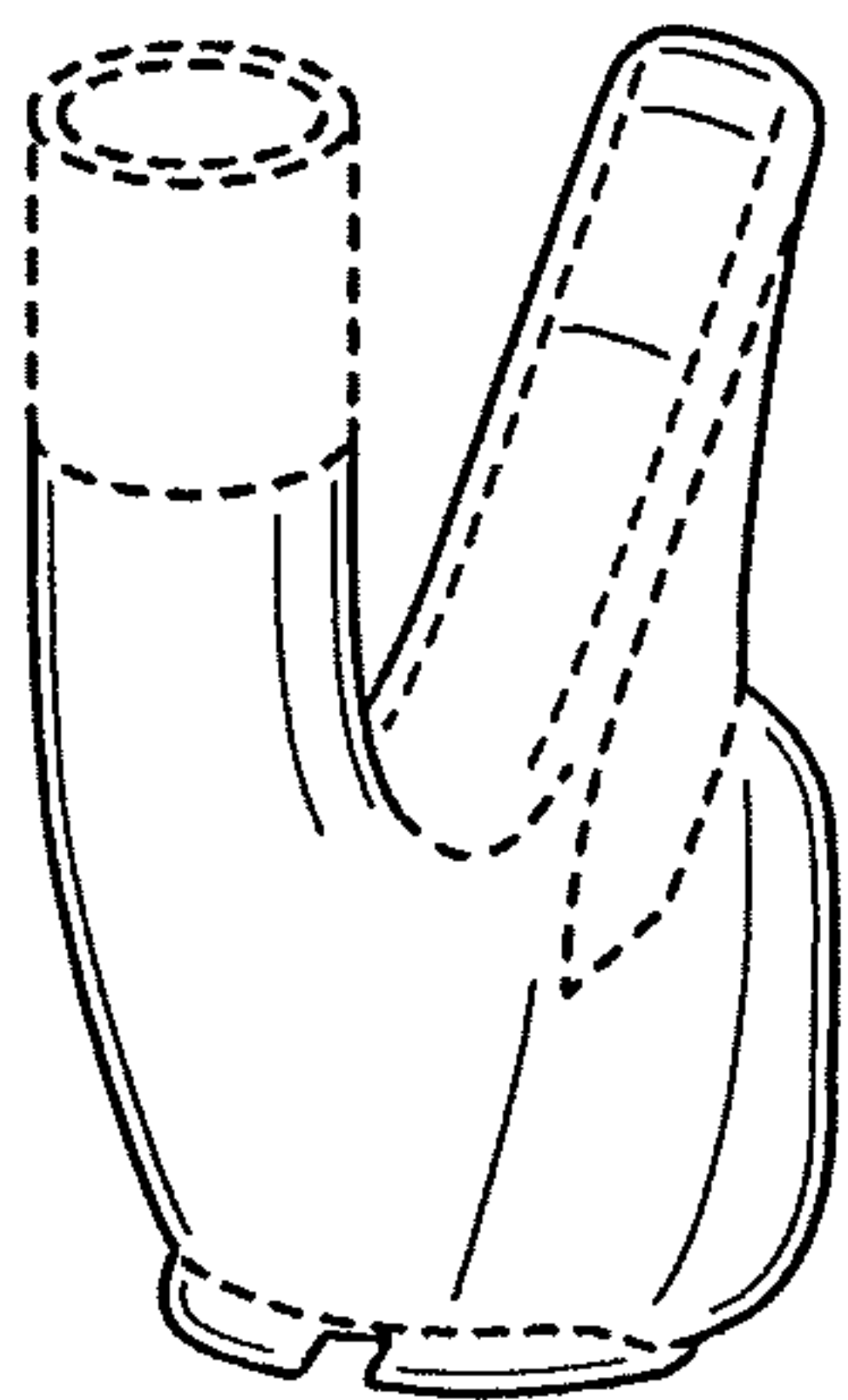


FIG. 13

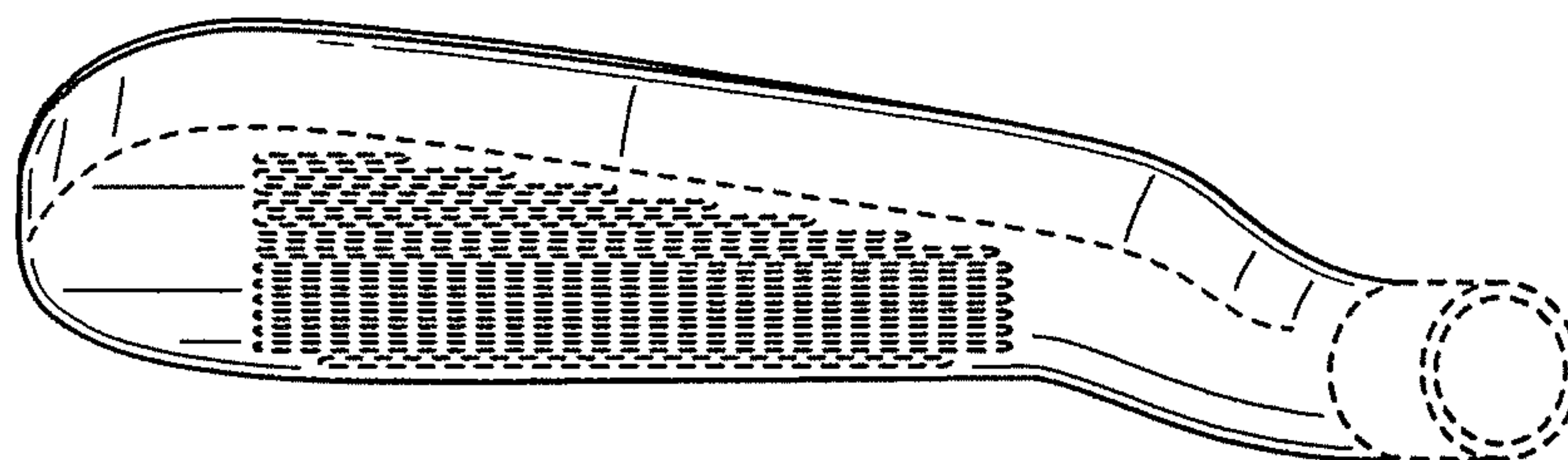


FIG. 14

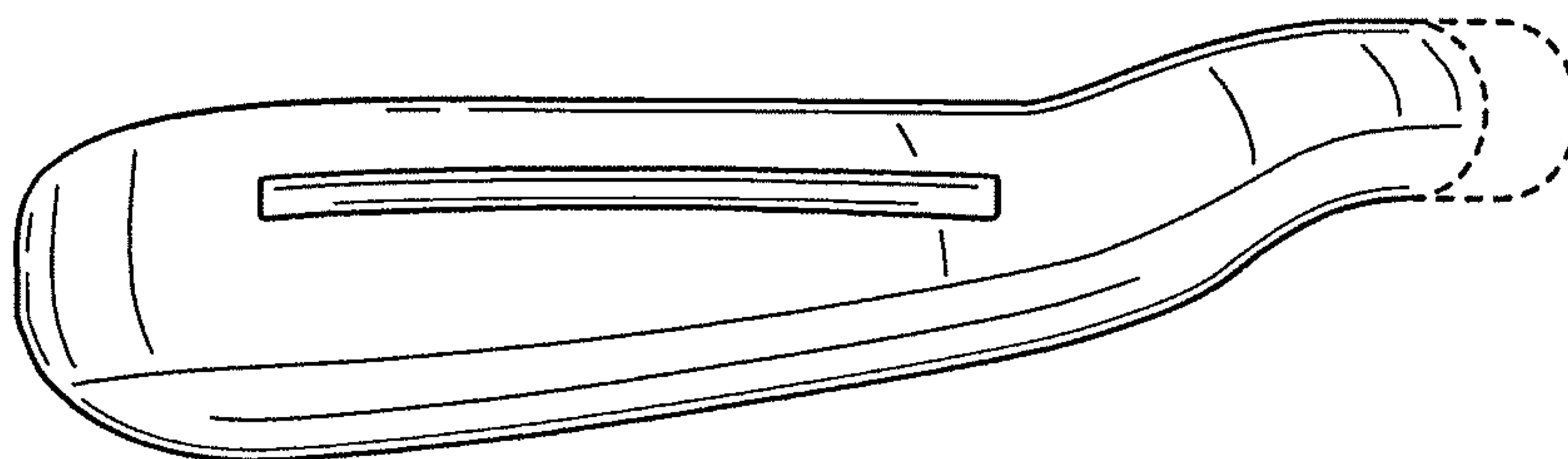


FIG. 15

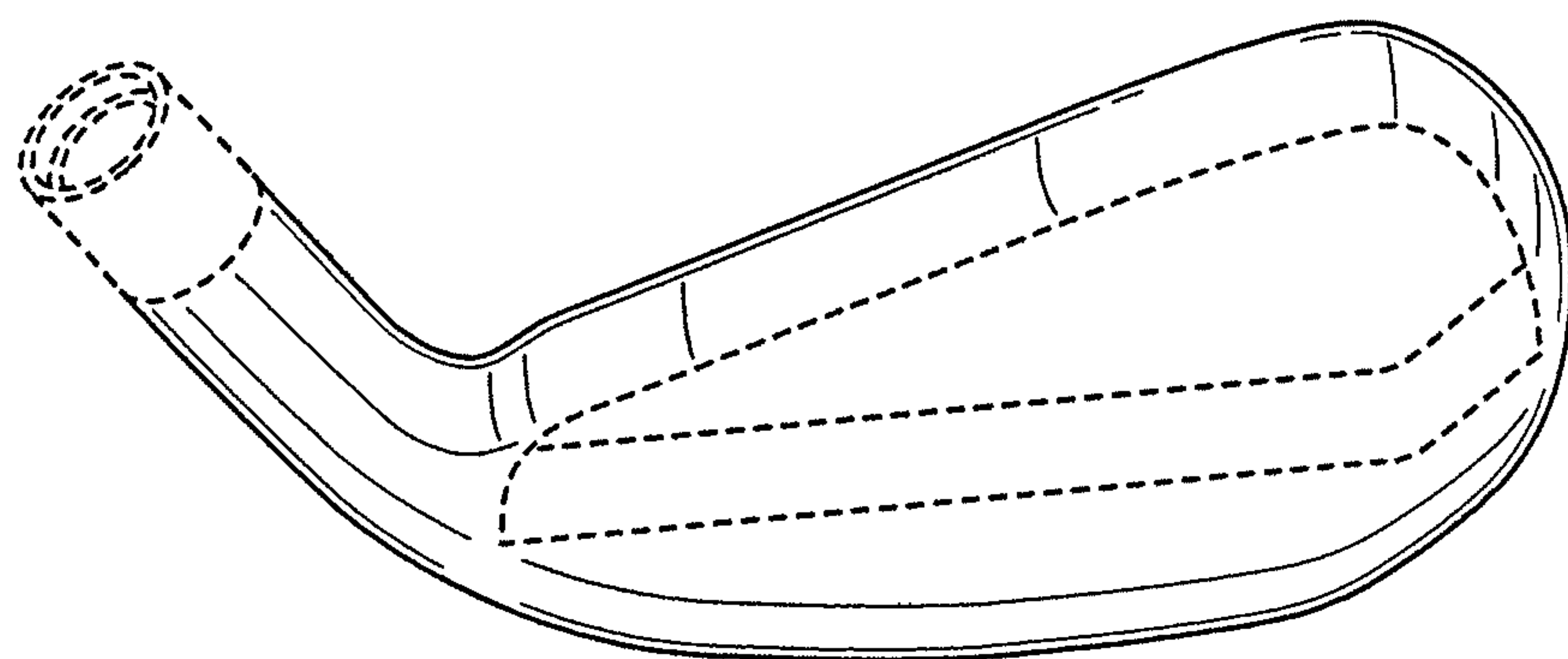


FIG. 16