



US00D696365S

(12) **United States Design Patent**
Lee et al.

(10) **Patent No.:** **US D696,365 S**
(45) **Date of Patent:** **** Dec. 24, 2013**

(54) **GOLF TEE**

FOREIGN PATENT DOCUMENTS

(75) Inventors: **Hyung Choon Lee**, Seoul (KR); **Seong Eun Lee**, Seoul (KR)

JP	2003275356	A	*	9/2003
JP	D1189064		*	11/2003
JP	D1224561		*	12/2004
JP	D1249058		*	8/2005
JP	2005296330	A	*	10/2005
JP	D1287430		*	12/2006
JP	D1288876		*	12/2006
JP	2007130339	A	*	5/2007
JP	D1346355		*	12/2008
WO	WO 2007132960	A1	*	11/2007
WO	WO 2009148408	A1	*	12/2009

(73) Assignees: **Koviss Sports Co., Ltd.**, Seoul (KR); **Hyung Choon Lee**, Seoul (KR); **Seong Eun Lee**, Seoul (KR)

(**) Term: **14 Years**

* cited by examiner

(21) Appl. No.: **29/425,118**

(22) Filed: **Jun. 20, 2012**

Primary Examiner — Catherine Tuttle

(51) **LOC (9) Cl.** **21-02**

(74) *Attorney, Agent, or Firm* — Birch, Stewart, Kolasch & Birch, LLP

(52) **U.S. Cl.**
USPC **D21/718**

(58) **Field of Classification Search**
USPC D21/715–721, 789, 791, 793–796;
473/386–403
See application file for complete search history.

(57) **CLAIM**
The ornamental design for a golf tee, as shown and described.

(56) **References Cited**

DESCRIPTION

U.S. PATENT DOCUMENTS

5,839,972	A	*	11/1998	Swanson	473/286
6,783,470	B2	*	8/2004	Lee	473/401
D516,648	S	*	3/2006	Lee et al.	D21/718
7,011,586	B2	*	3/2006	Toyosawa et al.	473/401
D543,597	S	*	5/2007	Lee et al.	D21/718
D555,218	S	*	11/2007	Lee et al.	D21/718
D566,802	S	*	4/2008	Carroll et al.	D21/718
7,494,429	B2	*	2/2009	Lee	473/396
D623,248	S	*	9/2010	Cheng	D21/718
8,092,321	B2	*	1/2012	Chiang Huang	473/393
2006/0105861	A1	*	5/2006	Yang	473/396
2006/0229144	A1	*	10/2006	Lee	473/393
2008/0182684	A1	*	7/2008	Carroll et al.	473/398
2011/0081993	A1	*	4/2011	Phua	473/396

FIG. 1 is a front, right perspective view of the golf tee showing our new design;
FIG. 2 is a front view thereof;
FIG. 3 is a rear view thereof;
FIG. 4 is a left side view thereof;
FIG. 5 is a right side view thereof;
FIG. 6 is a top plan view thereof;
FIG. 7 is a bottom plan view thereof; and,
FIG. 8 is an exploded partially sectioned view, the plane of the sectioned portions being indicated by line 8-8 in FIG. 6.

1 Claim, 7 Drawing Sheets

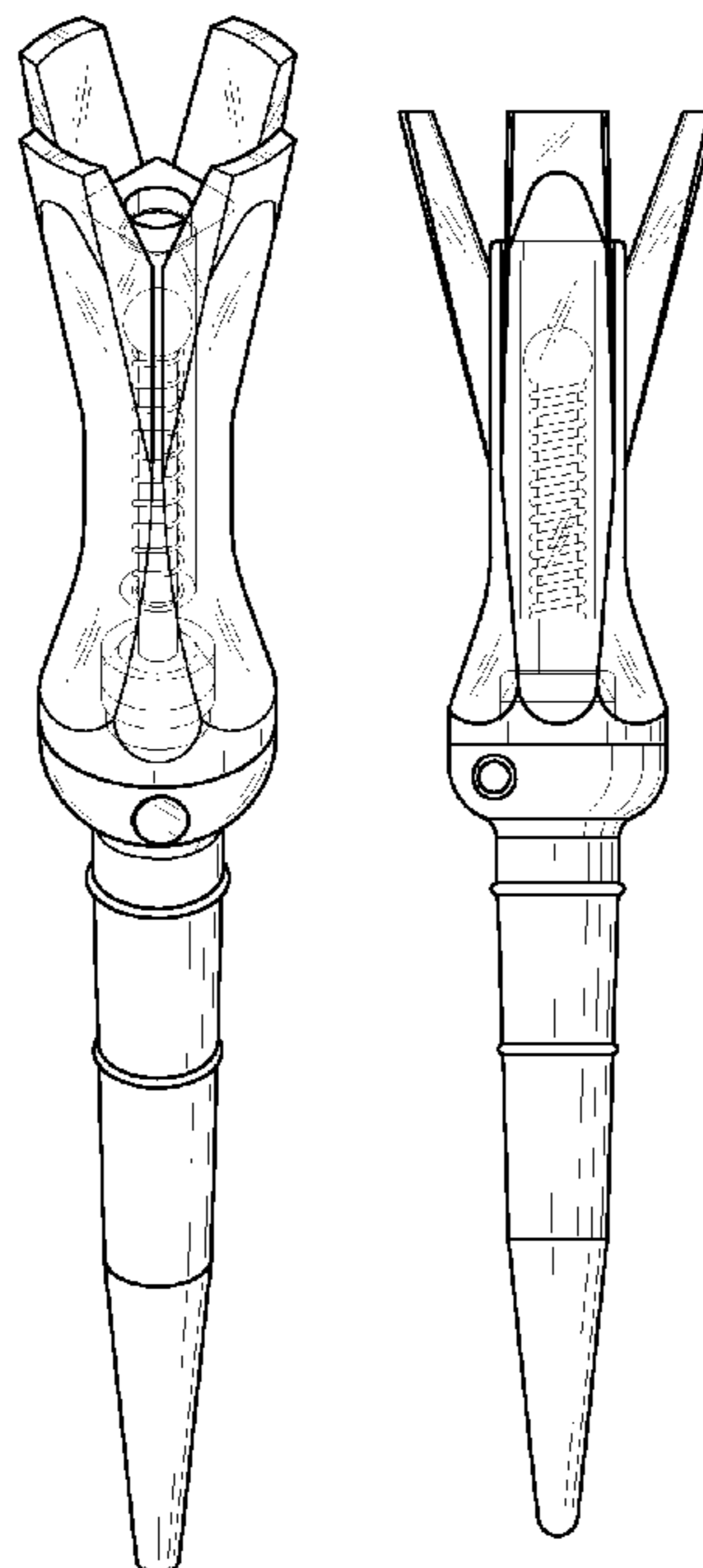


FIG. 1

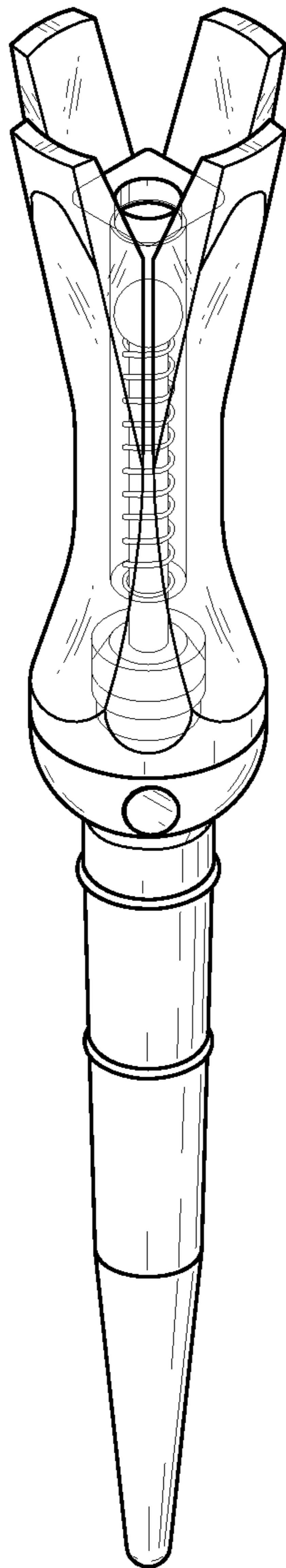


FIG. 2

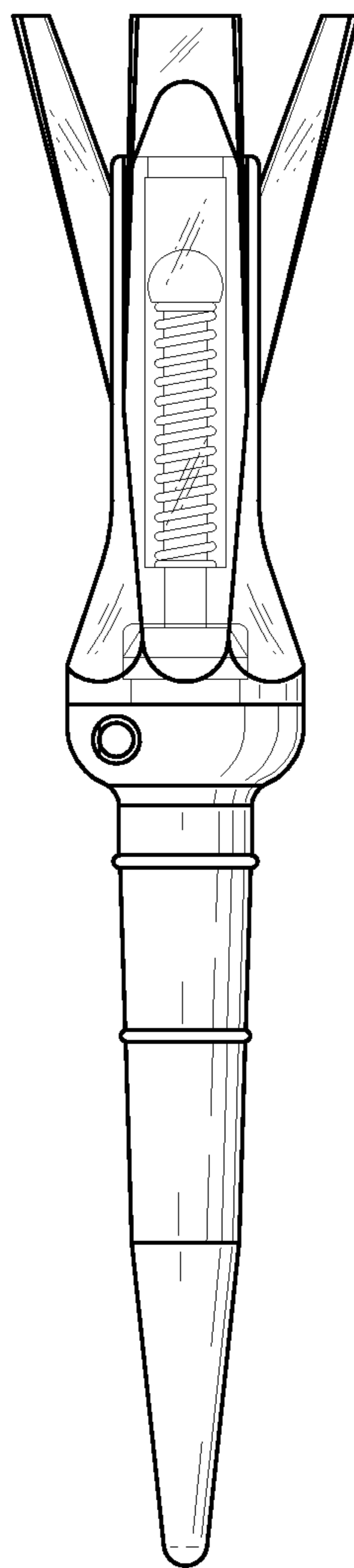


FIG. 3

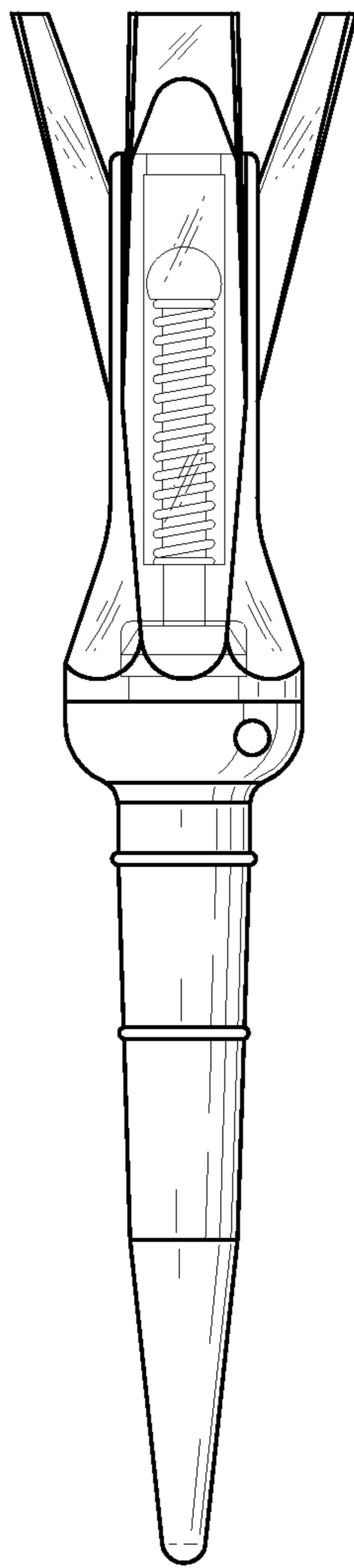


FIG. 4

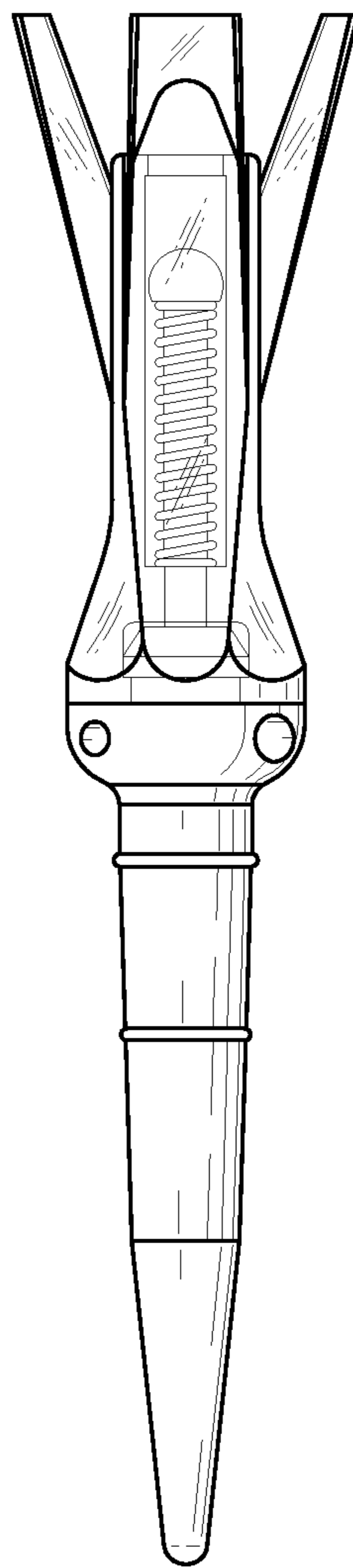


FIG. 5

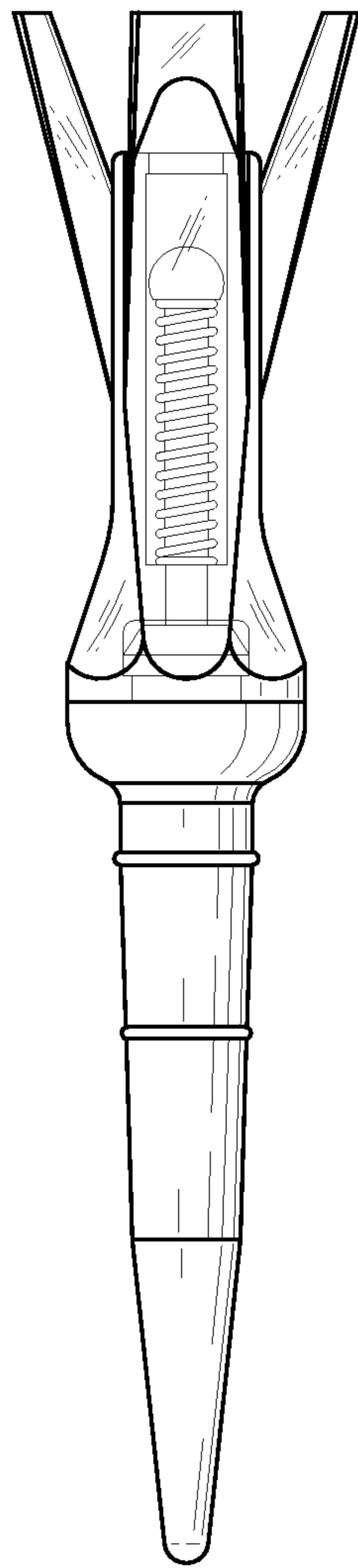


FIG. 6

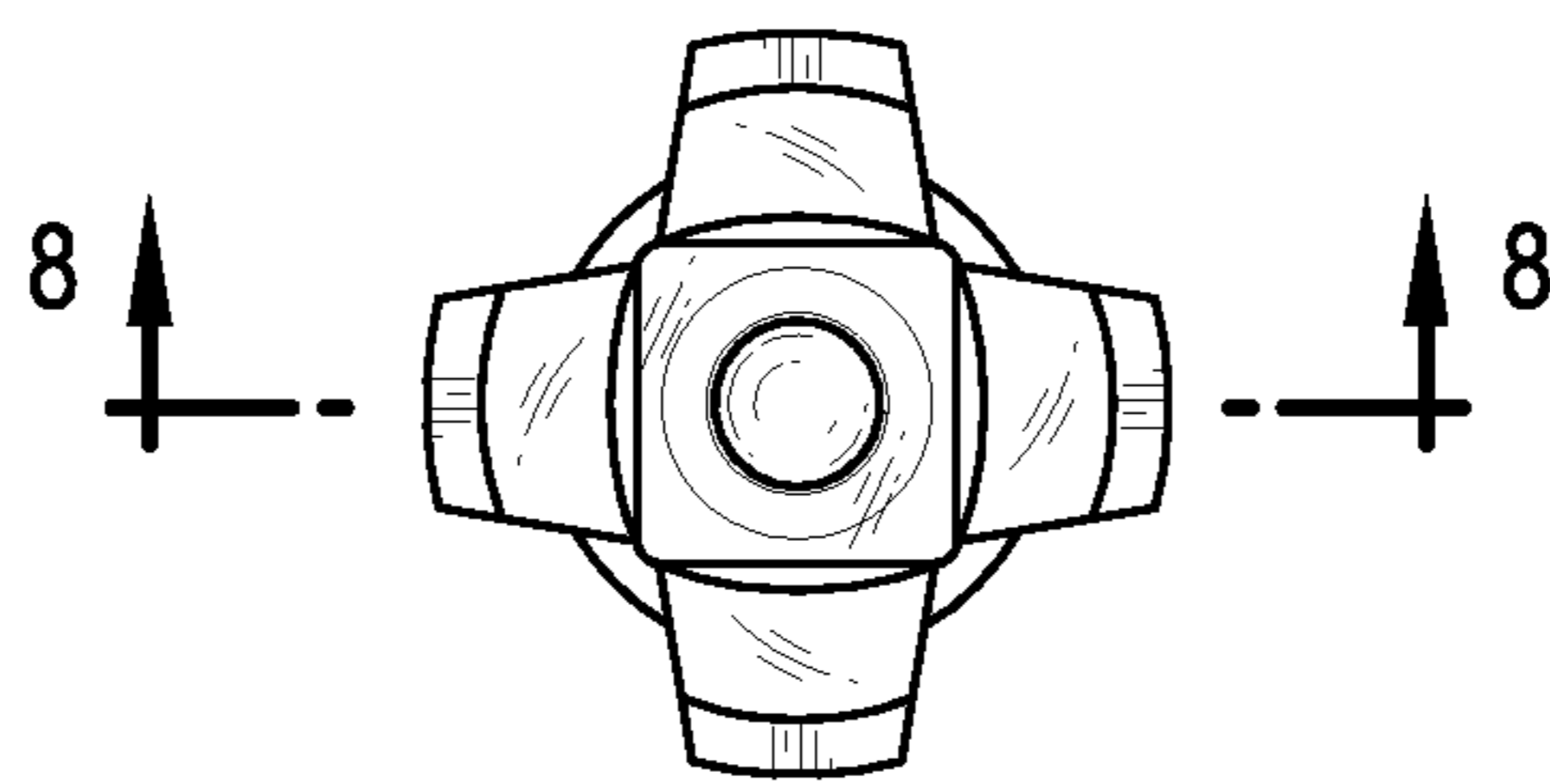


FIG. 7

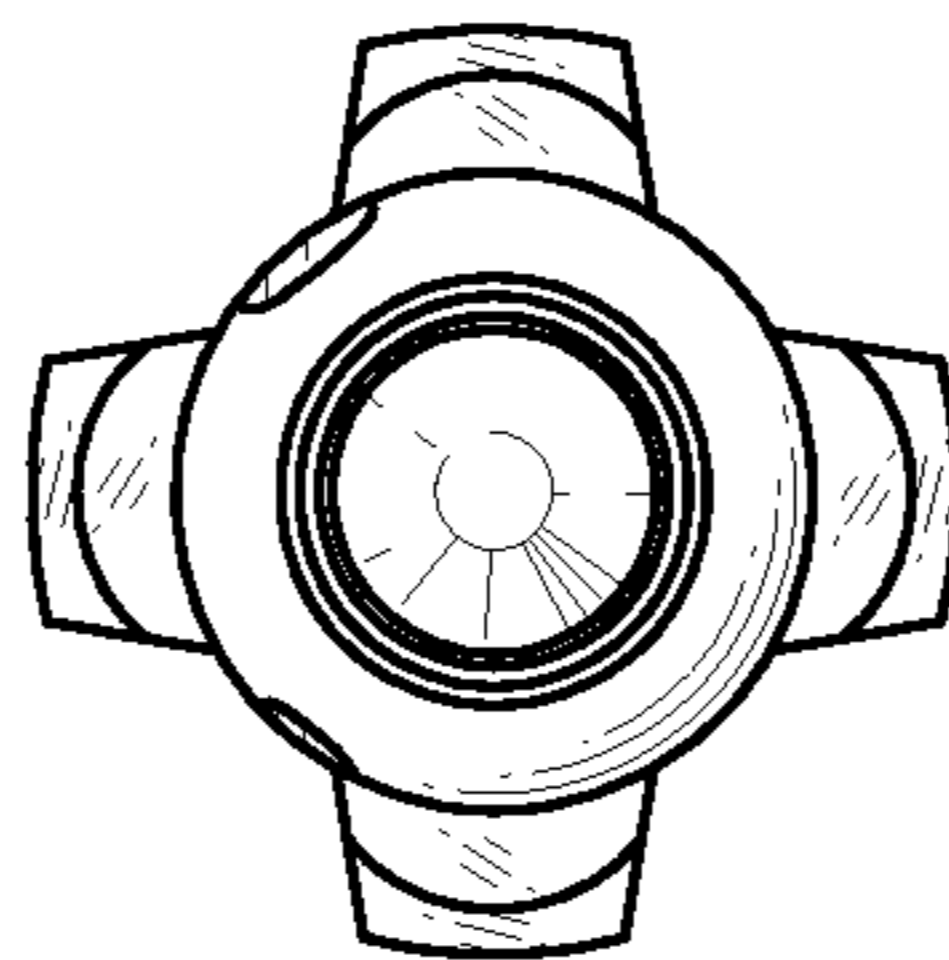


FIG. 8

