

US00D696364S

(12) **United States Design Patent**
Holland et al.

(10) **Patent No.:** **US D696,364 S**
(45) **Date of Patent:** **** Dec. 24, 2013**

(54) **BASKETBALL GOAL**

(71) Applicant: **Pro Performance Sports, L.L.C.**,
Carlsbad, CA (US)

(72) Inventors: **Allen Holland**, Sheffield (GB); **Thomas A. Quinn**, Carlsbad, CA (US); **Timothy S. Clark**, San Diego, CA (US); **Eric Lucatero**, Temecula, CA (US); **Brant Michael Taylor**, Encinitas, CA (US)

(73) Assignee: **Pro Performance Sports, L.L.C.**,
Carlsbad, CA (US)

(**) Term: **14 Years**

(21) Appl. No.: **29/433,744**

(22) Filed: **Oct. 4, 2012**

(51) **LOC (9) Cl.** **21-02**

(52) **U.S. Cl.**
USPC **D21/701; D21/703**

(58) **Field of Classification Search**
USPC **D21/301-305, 698-705, 781; 473/433, 473/447, 448, 449, 472, 476, 479-489; 273/317, 317.3, 348, 398-410**
See application file for complete search history.

(56) **References Cited**

U.S. PATENT DOCUMENTS

D330,059 S * 10/1992 McGivern et al. D21/703
6,056,654 A * 5/2000 Schroeder 473/483

(Continued)

FOREIGN PATENT DOCUMENTS

CN 300762342 * 4/2008
WO D011740-001 * 11/1988

OTHER PUBLICATIONS

GLS Greg Larson Sports 2002 Full Line Catalog, p. 72: upper left: 1) Schutt Rigidbilt® Double Rim Goal; lower right: 2) Bison Ultimate Playground Goals; and 3) Super-Goal.*

Primary Examiner — Catherine Tuttle

(74) *Attorney, Agent, or Firm* — Kenneth H. Ohriner; Perkins Coie LLP

(57) **CLAIM**

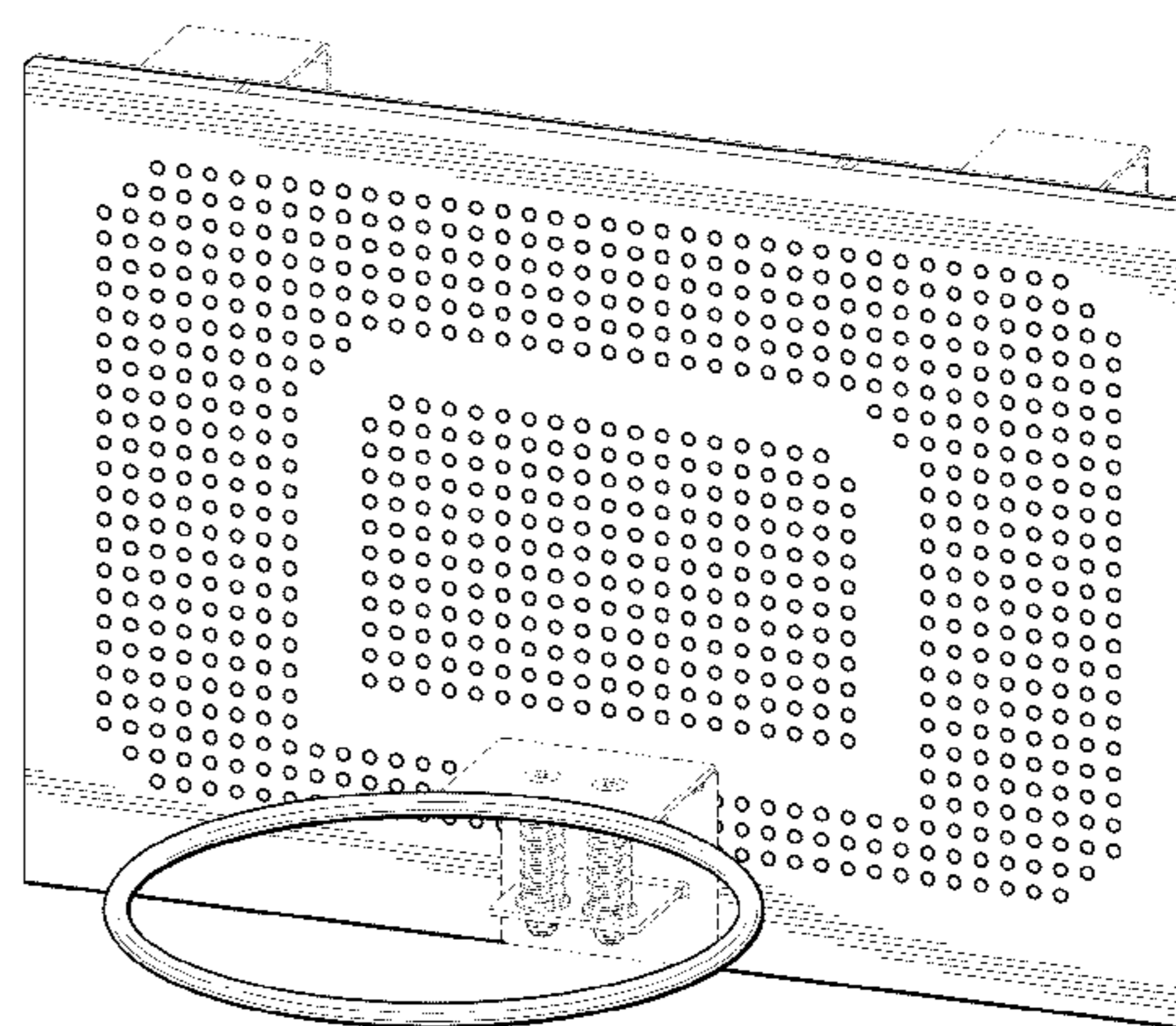
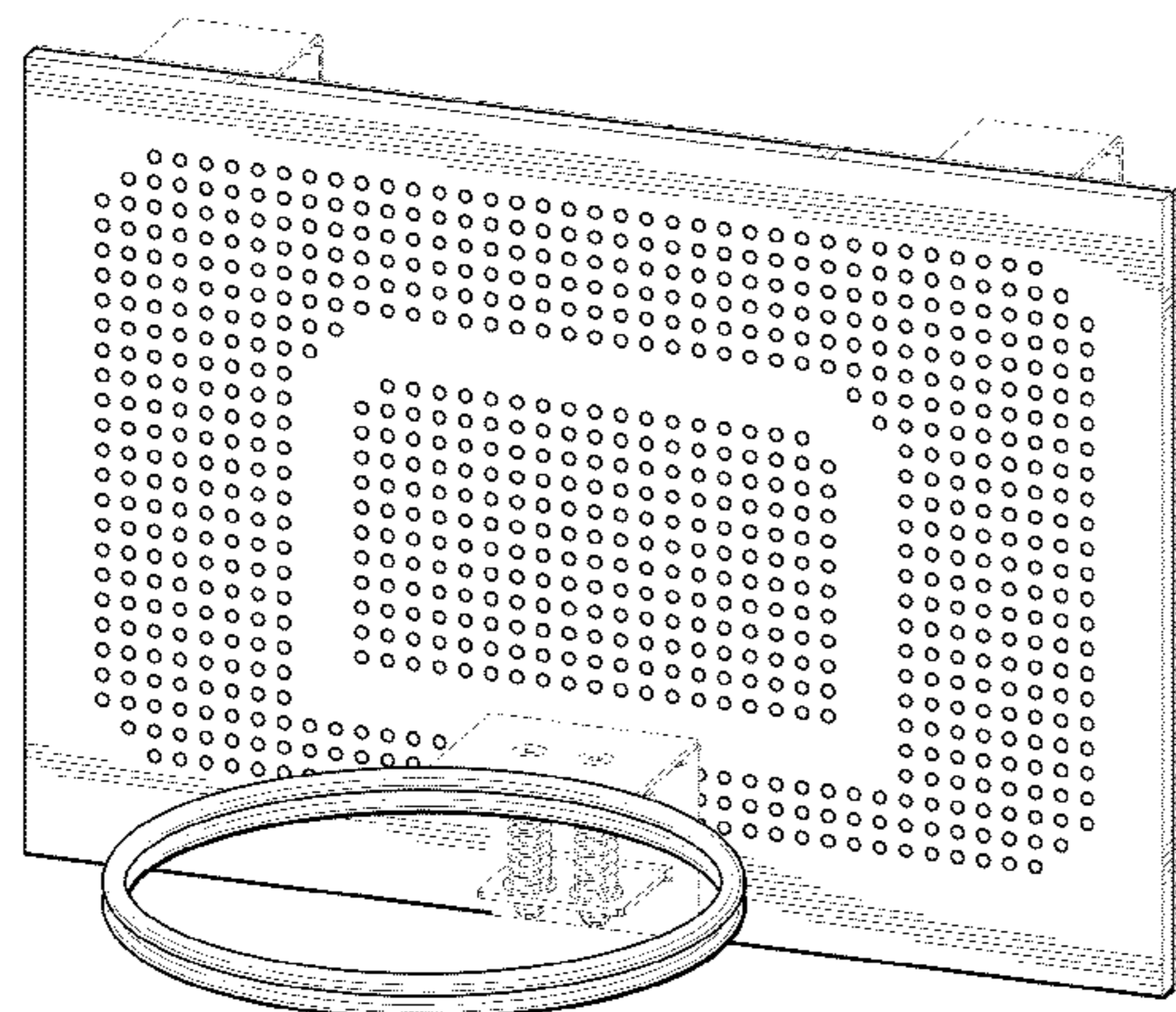
The ornamental design for a basketball goal, substantially as shown and described.

DESCRIPTION

FIG. 1 is a perspective view showing of our new design for a basketball goal in a first embodiment having a double rim; FIG. 2 is a front view of FIG. 1; FIG. 3 is a rear view of FIG. 1; FIG. 4 is a left side view of FIG. 1; FIG. 5 is a right side view of FIG. 1; FIG. 6 is a top view of FIG. 1; FIG. 7 is a bottom view of FIG. 1; FIG. 8 is a perspective view showing the first embodiment of our design in association with a single-spring bracket assembly; FIG. 9 is front view of FIG. 8; FIG. 10 is a rear view of FIG. 8; FIG. 11 is a left side view of FIG. 8; FIG. 12 is a right side view of FIG. 8; FIG. 13 is a top view of FIG. 8; FIG. 14 is a bottom view of FIG. 8; FIG. 15 is a perspective view showing our new design for a basketball goal in a second embodiment that differs from the first embodiment in having a single rim; FIG. 16 is a front view of FIG. 15; FIG. 17 is a rear view of FIG. 15; FIG. 18 is a left side view of FIG. 15; FIG. 19 is a right side view of FIG. 15; FIG. 20 is a top view of FIG. 15; FIG. 21 is a bottom view of FIG. 15; FIG. 22 is a perspective view showing the second embodiment of our design in association with a single-spring bracket assembly; FIG. 23 is front view of FIG. 22; FIG. 24 is a rear view of FIG. 22; FIG. 25 is a left side view of FIG. 22; FIG. 26 is a right side view of FIG. 22; FIG. 27 is a top view of FIG. 22; and, FIG. 28 is a bottom view of FIG. 22.

The broken lines are included for the purpose of illustrating the unclaimed elements of the basketball goal, namely, the brackets, springs, spring bolts, bolt nuts and portions of the rear surface.

1 Claim, 24 Drawing Sheets



(56)

References Cited

U.S. PATENT DOCUMENTS

6,554,724	B2 *	4/2003	Taylor	473/447	8,167,745	B2 *	5/2012	Britto et al.	473/481
6,984,129	B1 *	1/2006	Jordan	434/248	2005/0255946	A1 *	11/2005	Liu	473/479
D608,848	S *	1/2010	Quinn	D21/703	2007/0213147	A1 *	9/2007	Nye et al.	473/479
D647,983	S *	11/2011	Quinn	D21/703	2008/0004139	A1 *	1/2008	Jang	473/481
						2008/0176679	A1 *	7/2008	Chin	473/481

* cited by examiner

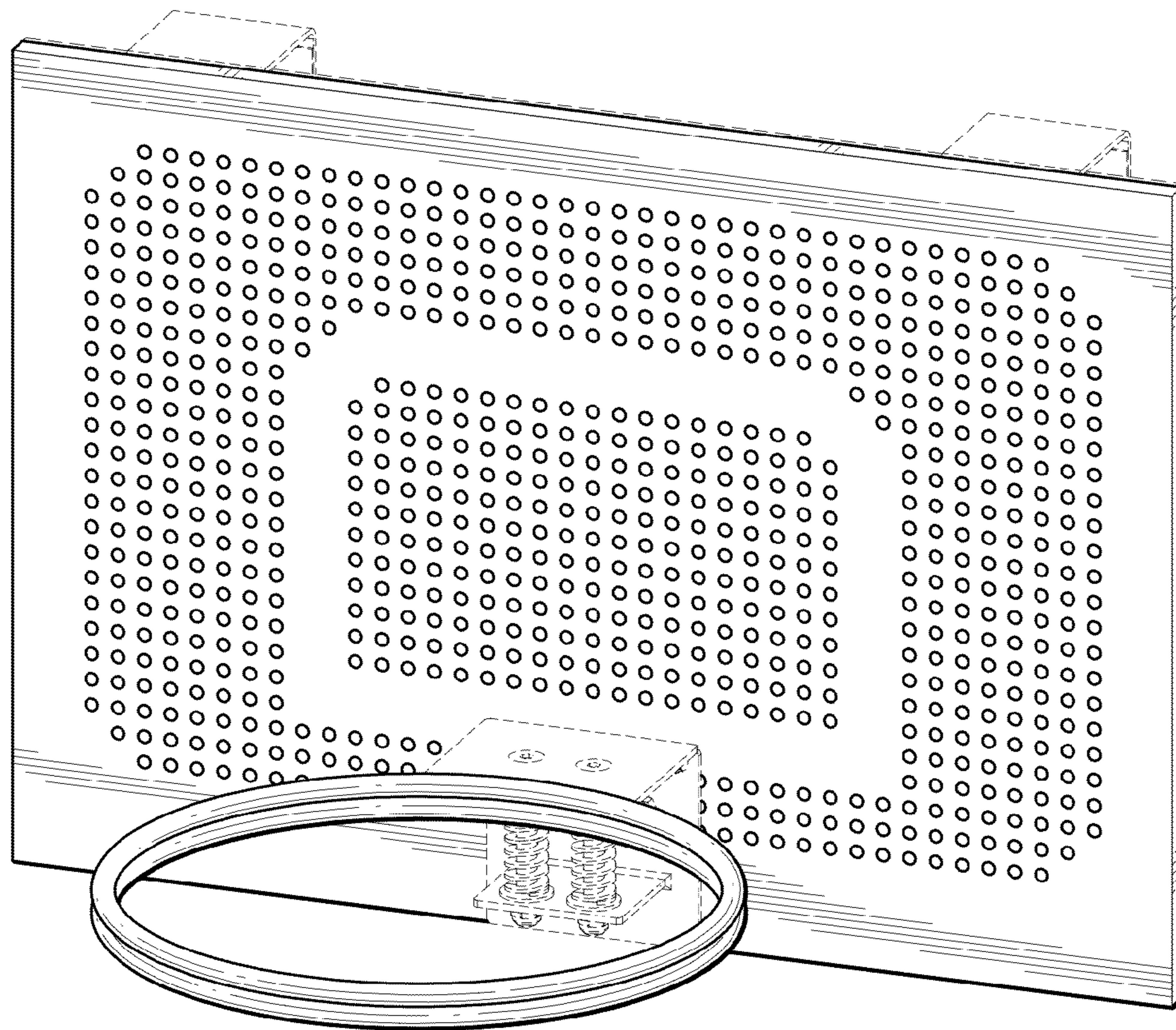


FIG. 1

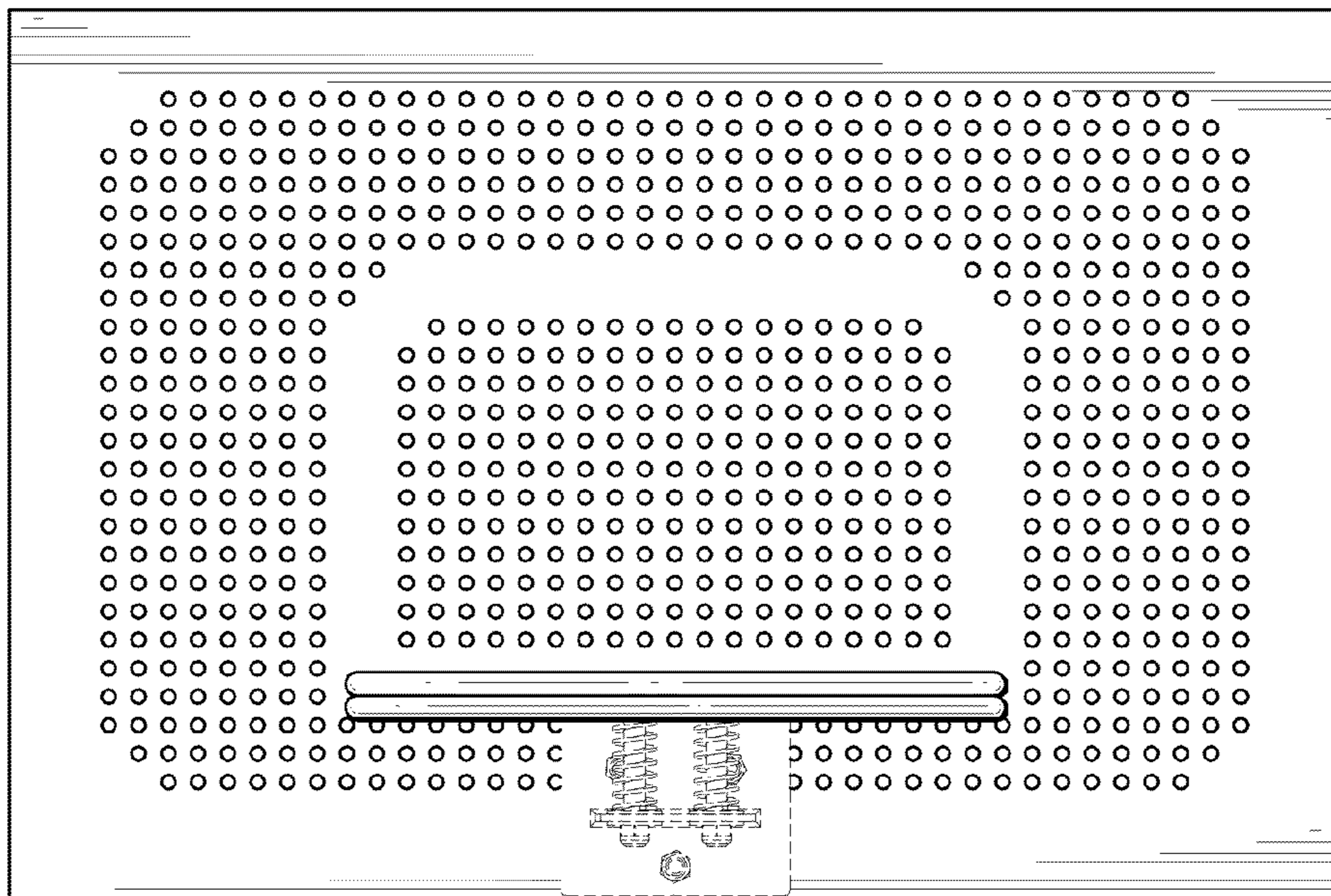


FIG. 2

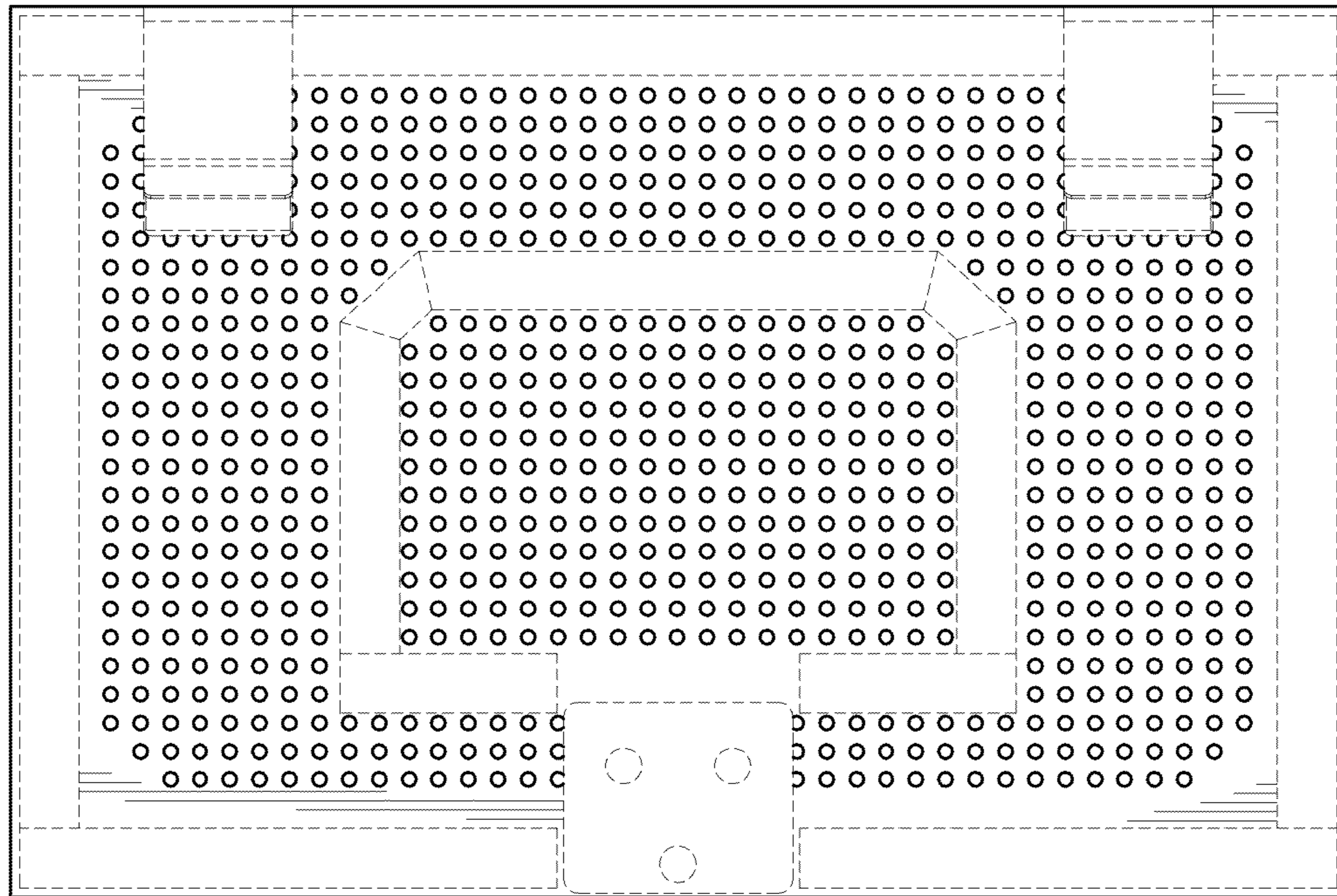


FIG. 3

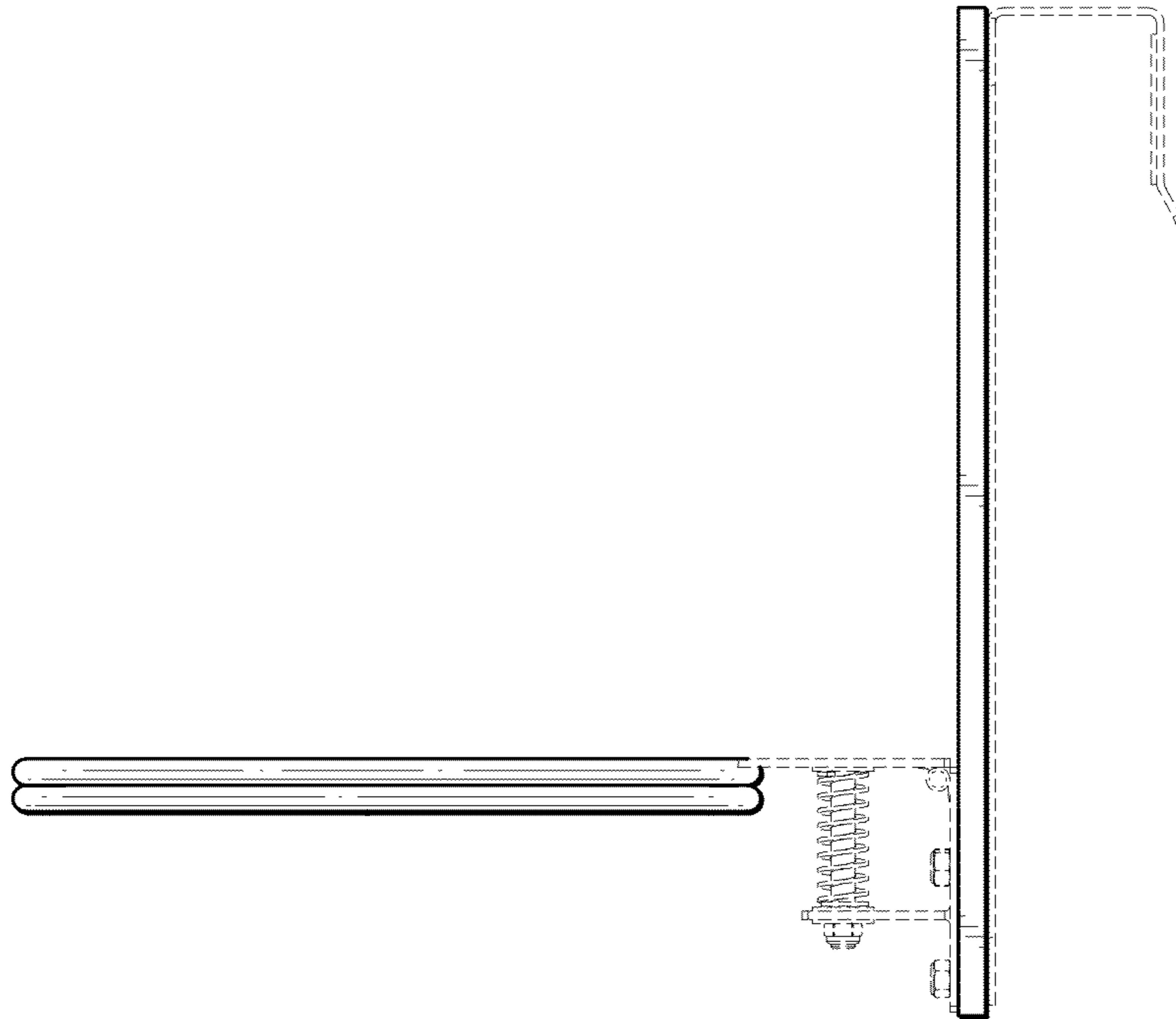


FIG. 4

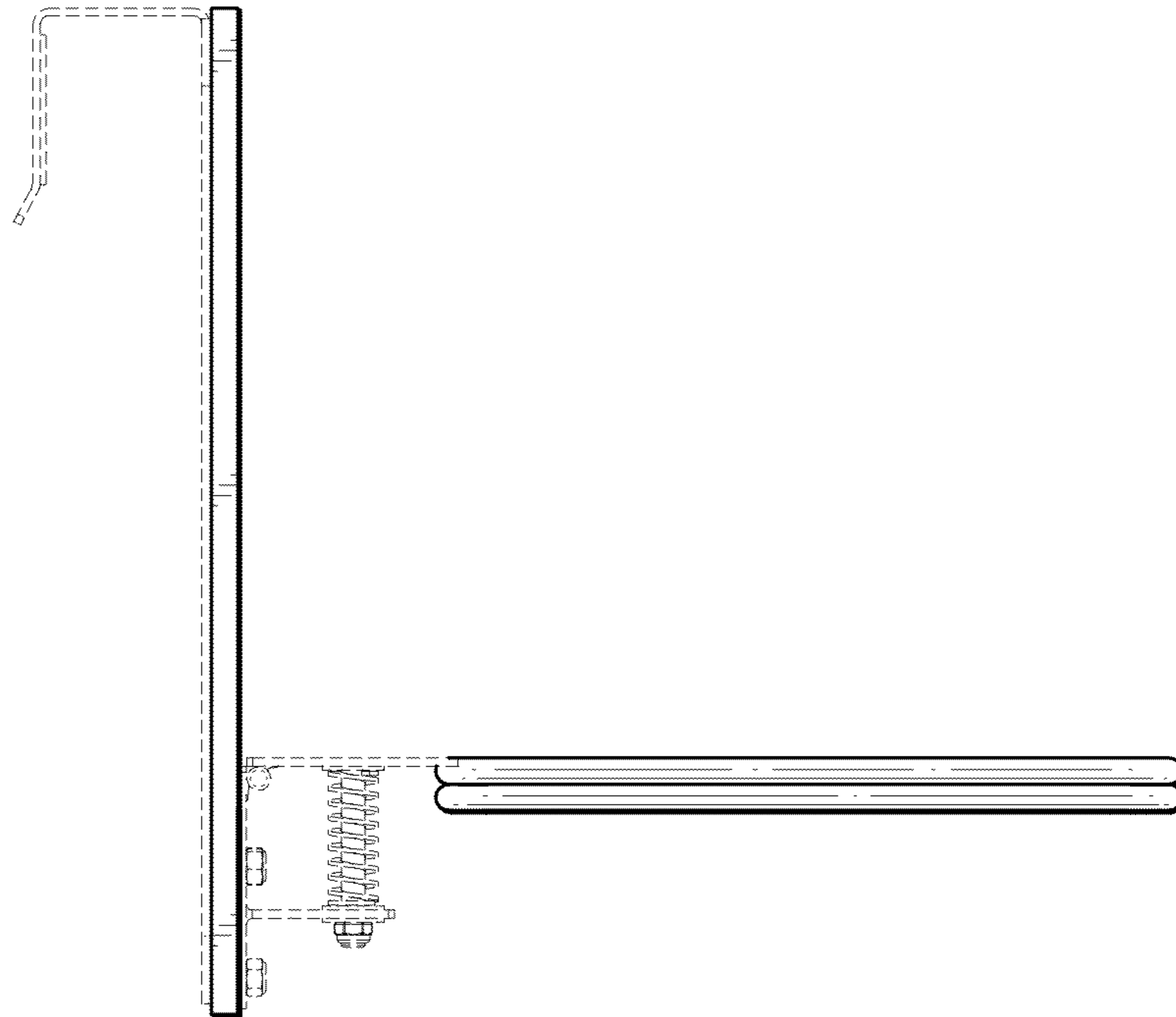


FIG. 5

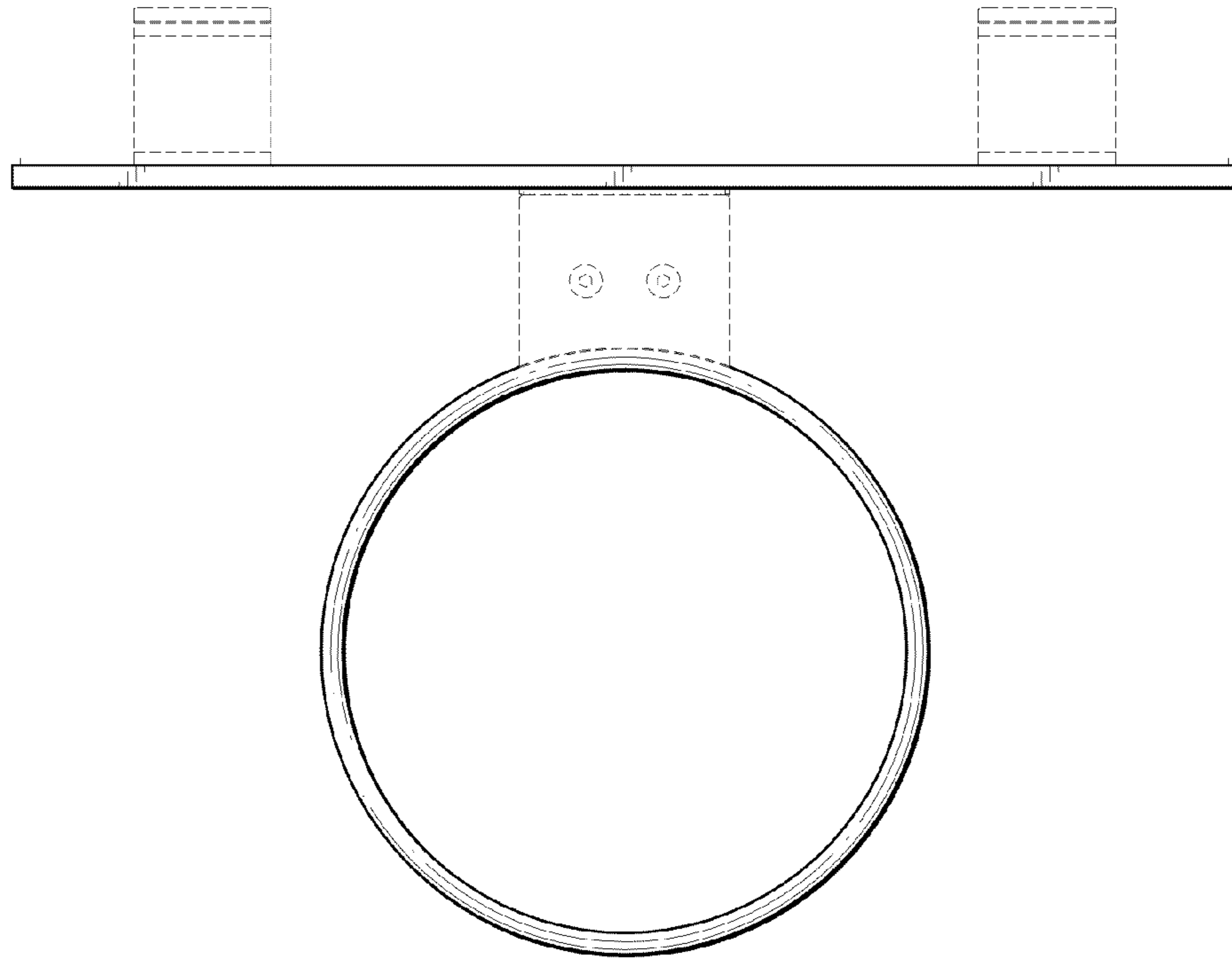


FIG. 6

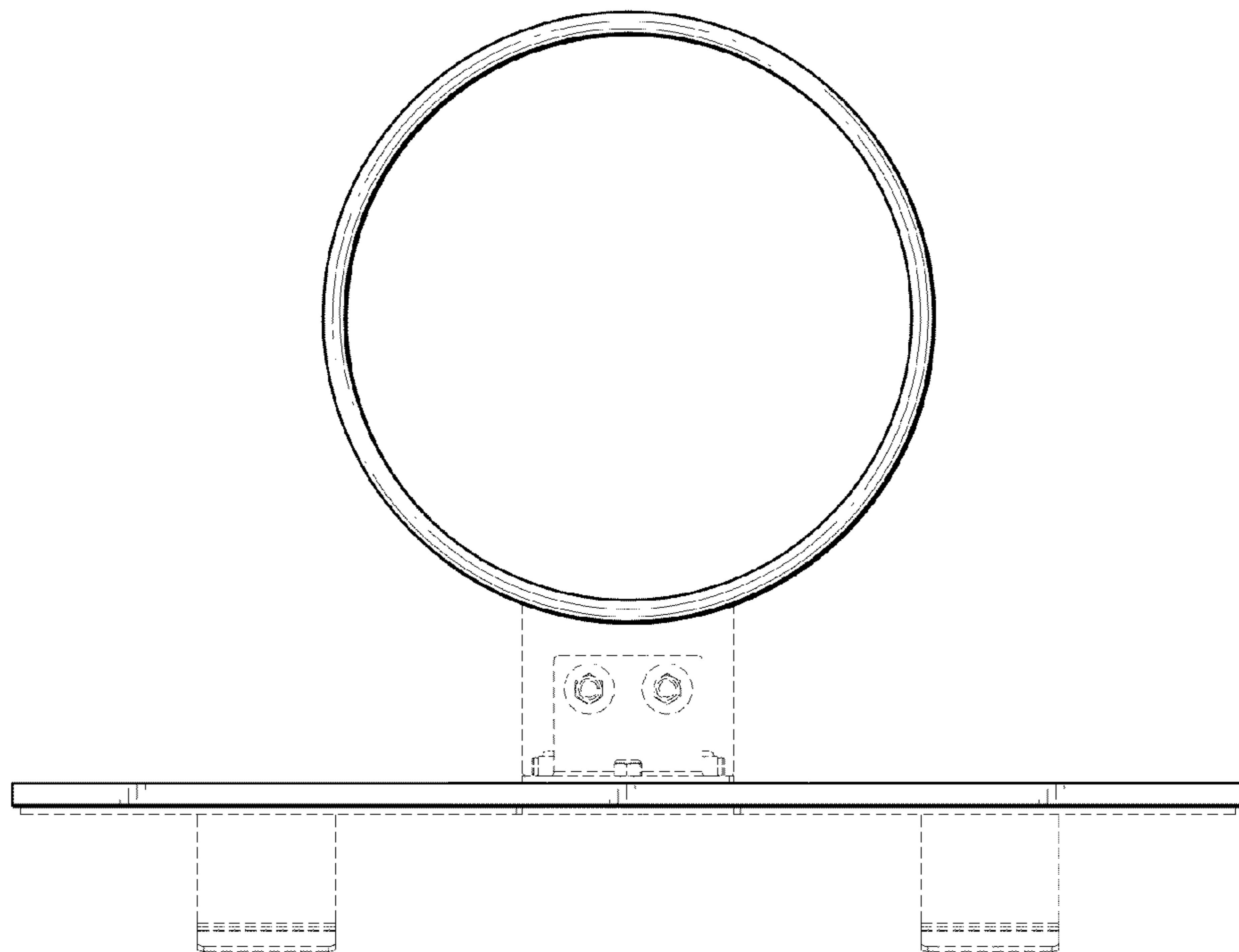


FIG. 7

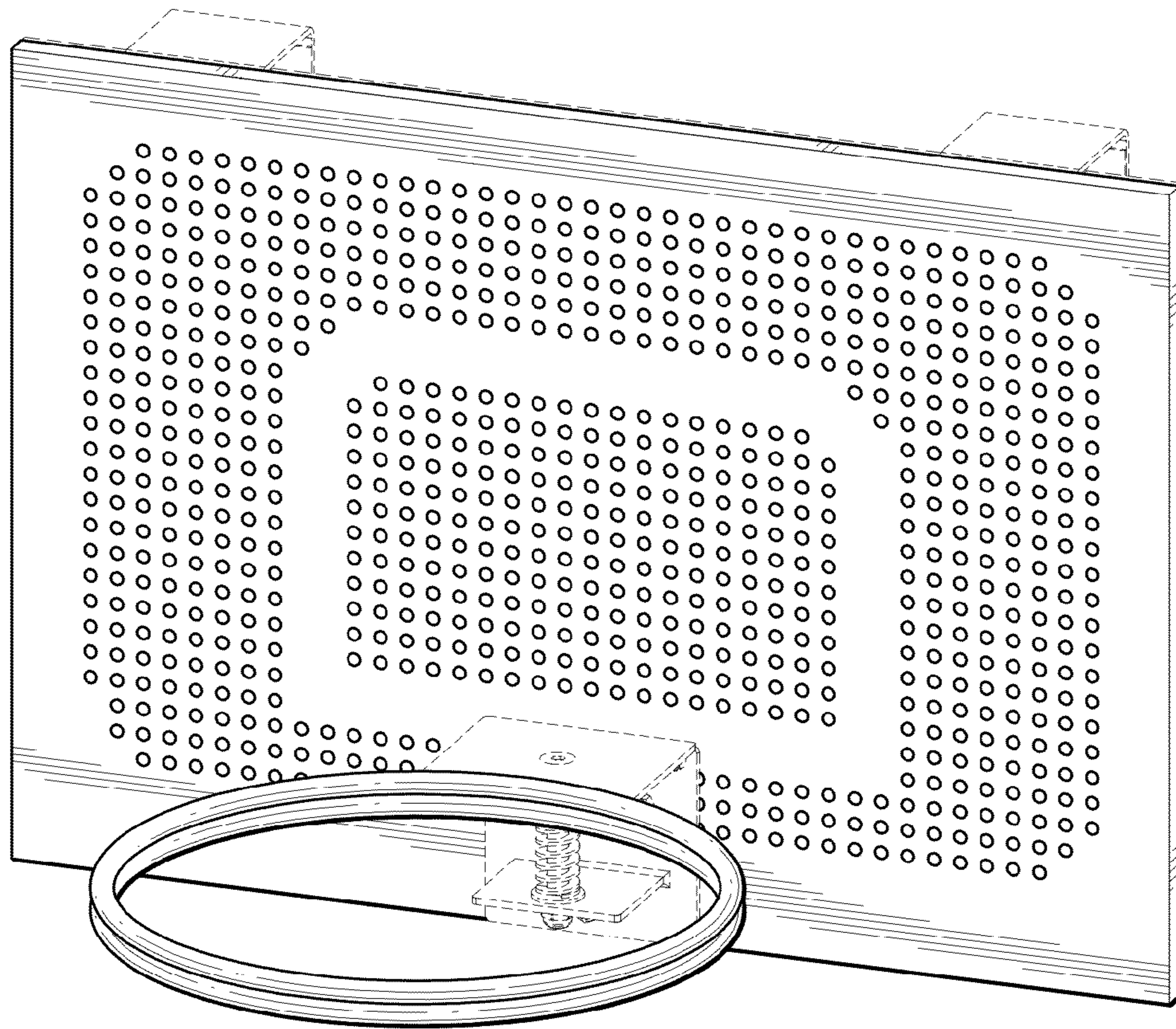


FIG. 8

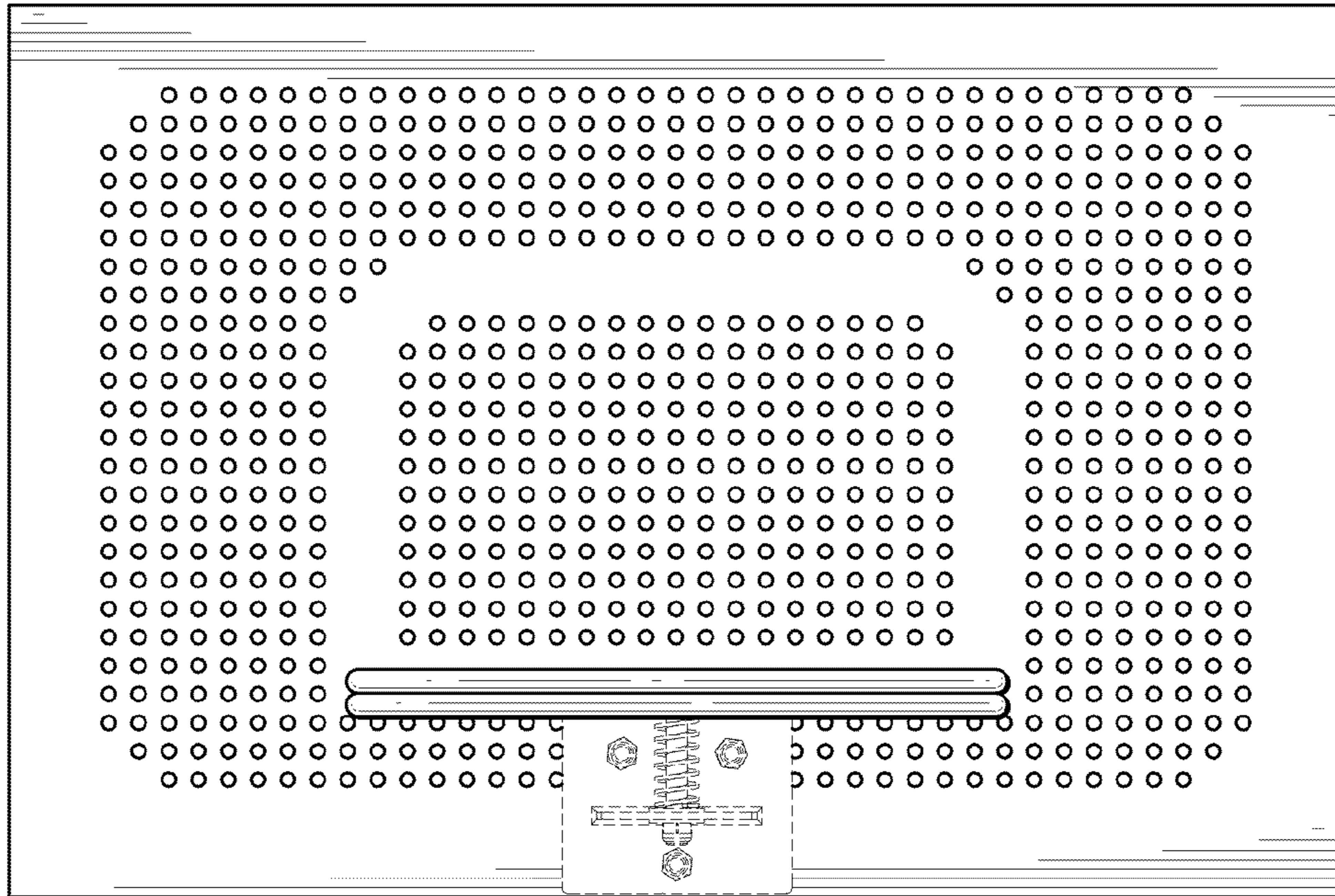


FIG. 9

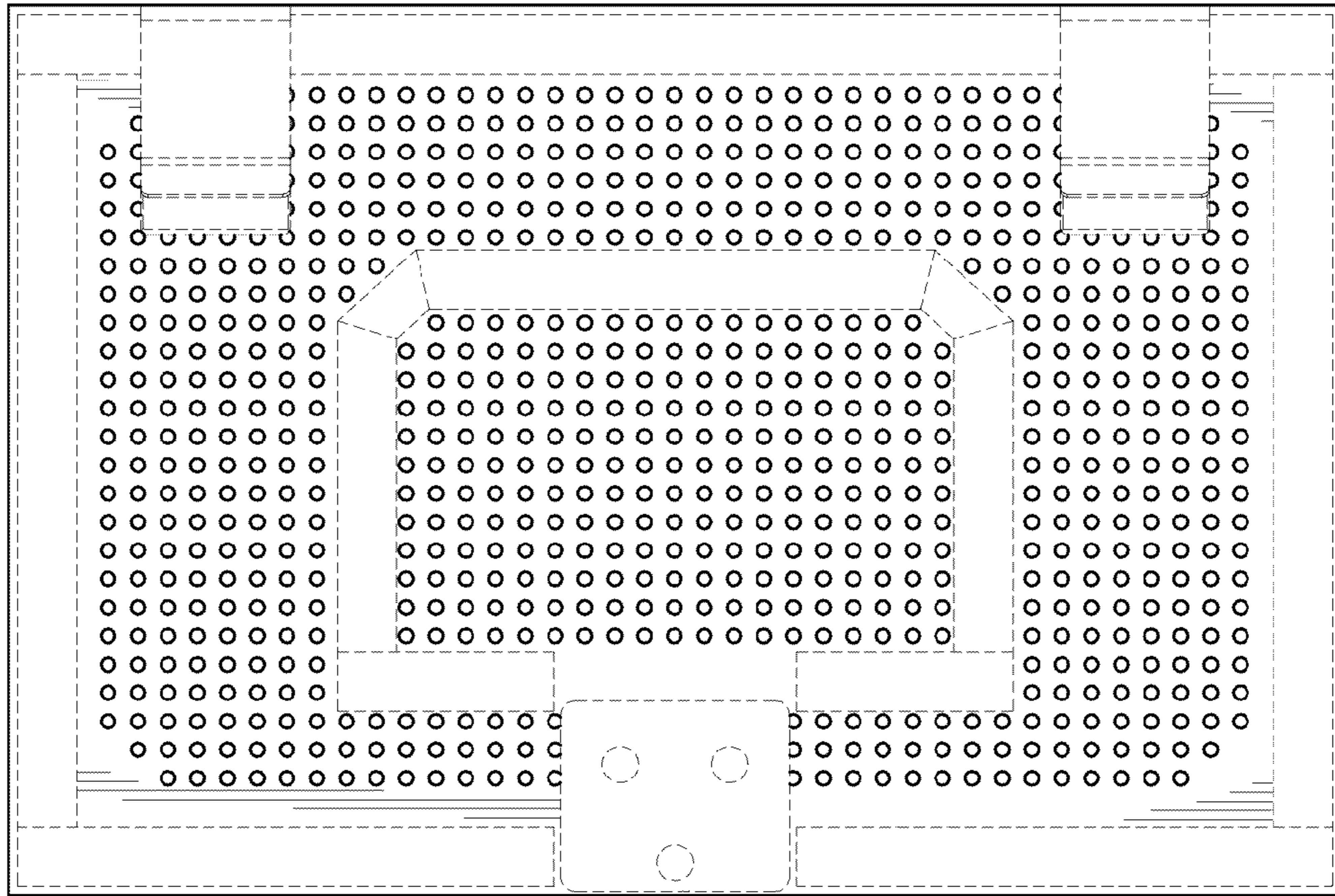


FIG. 10

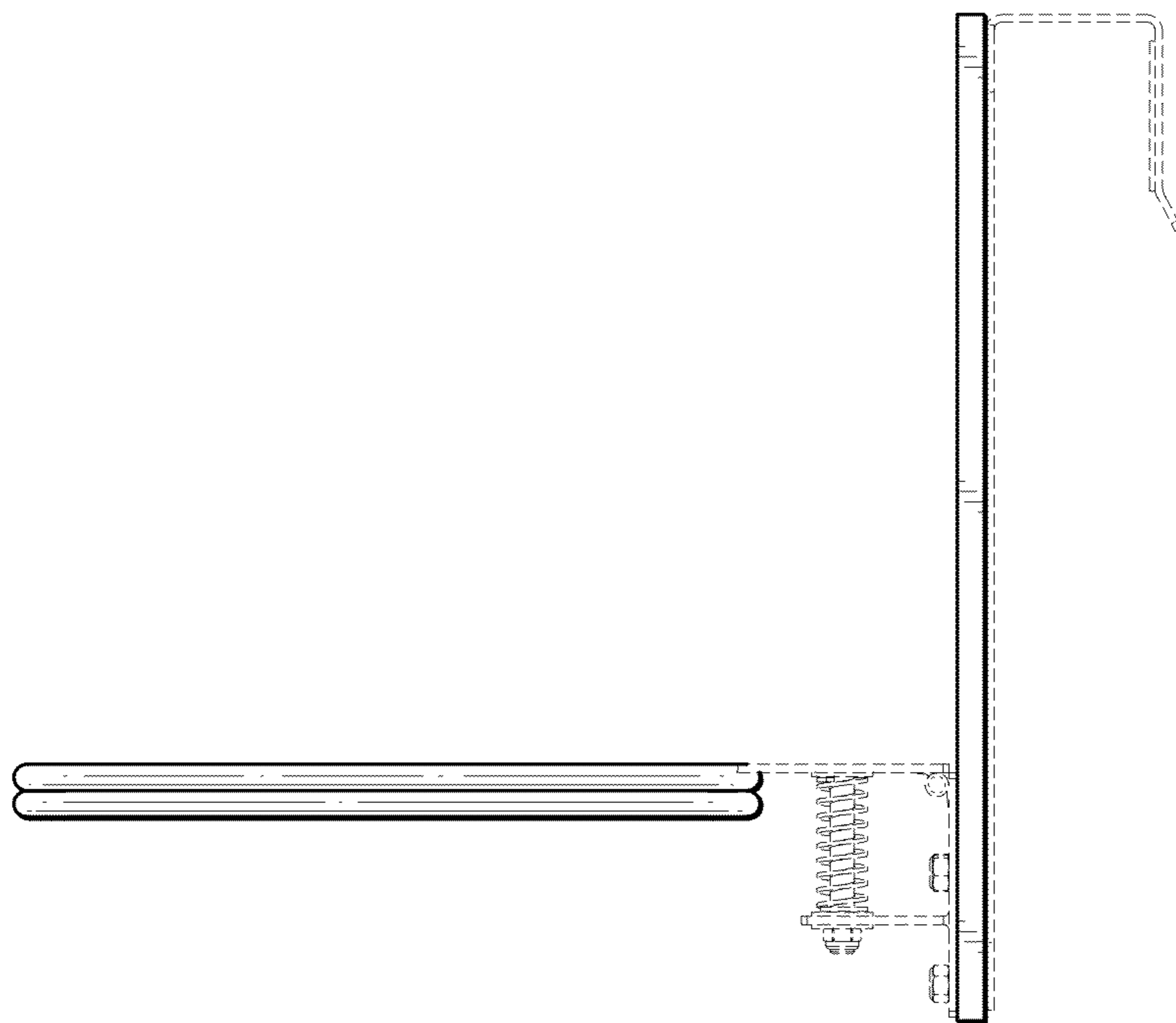


FIG. 11

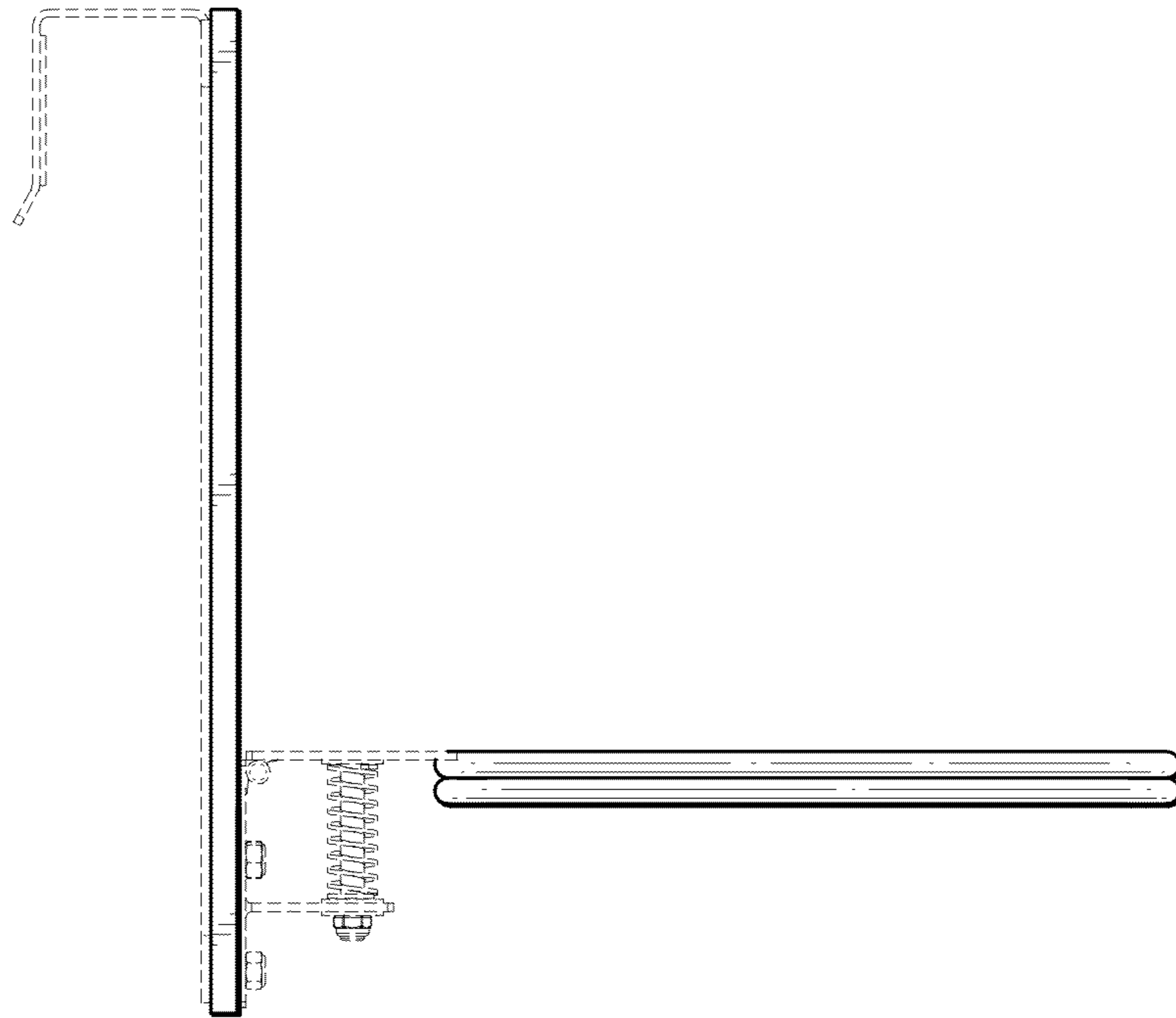


FIG. 12

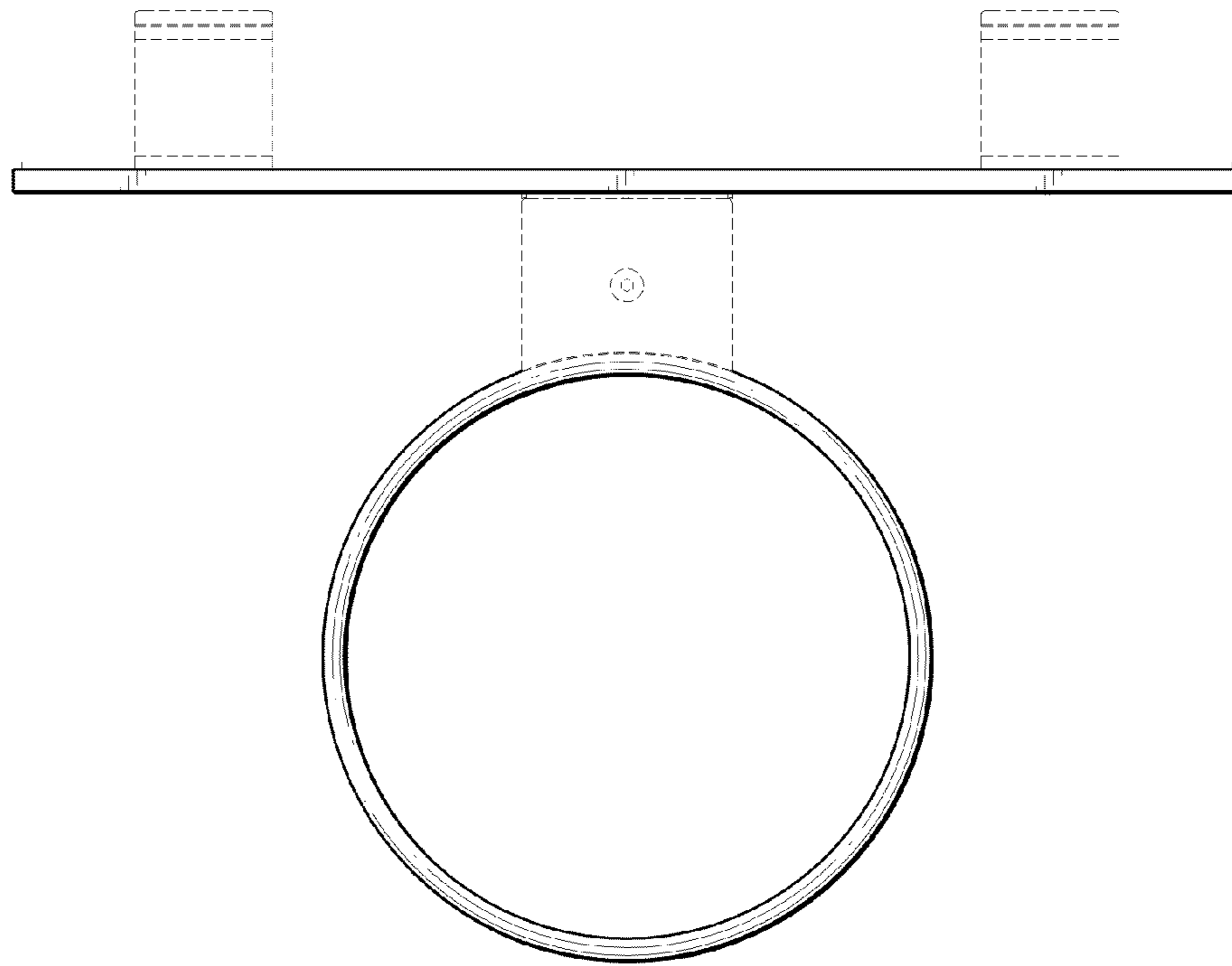


FIG. 13

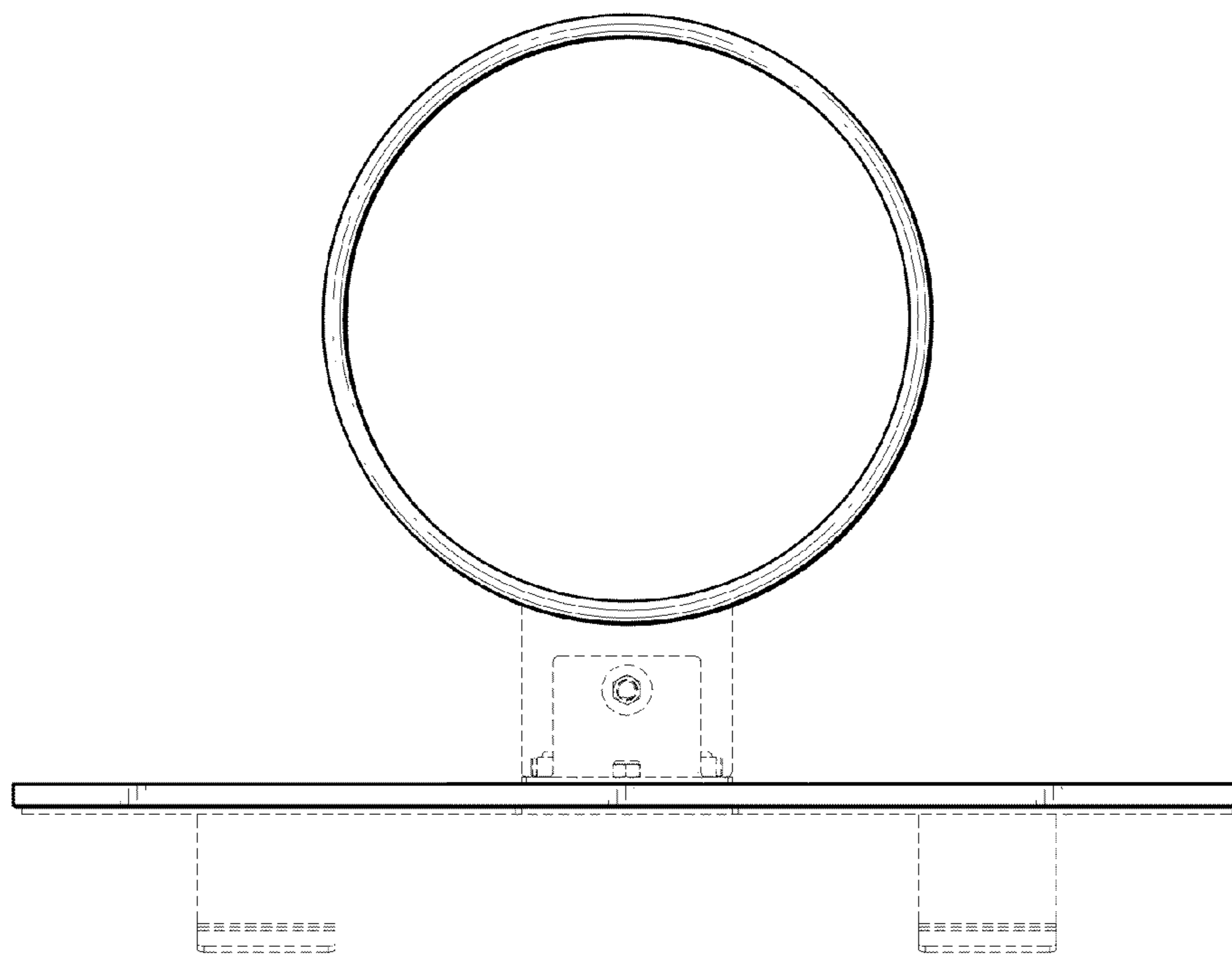


FIG. 14

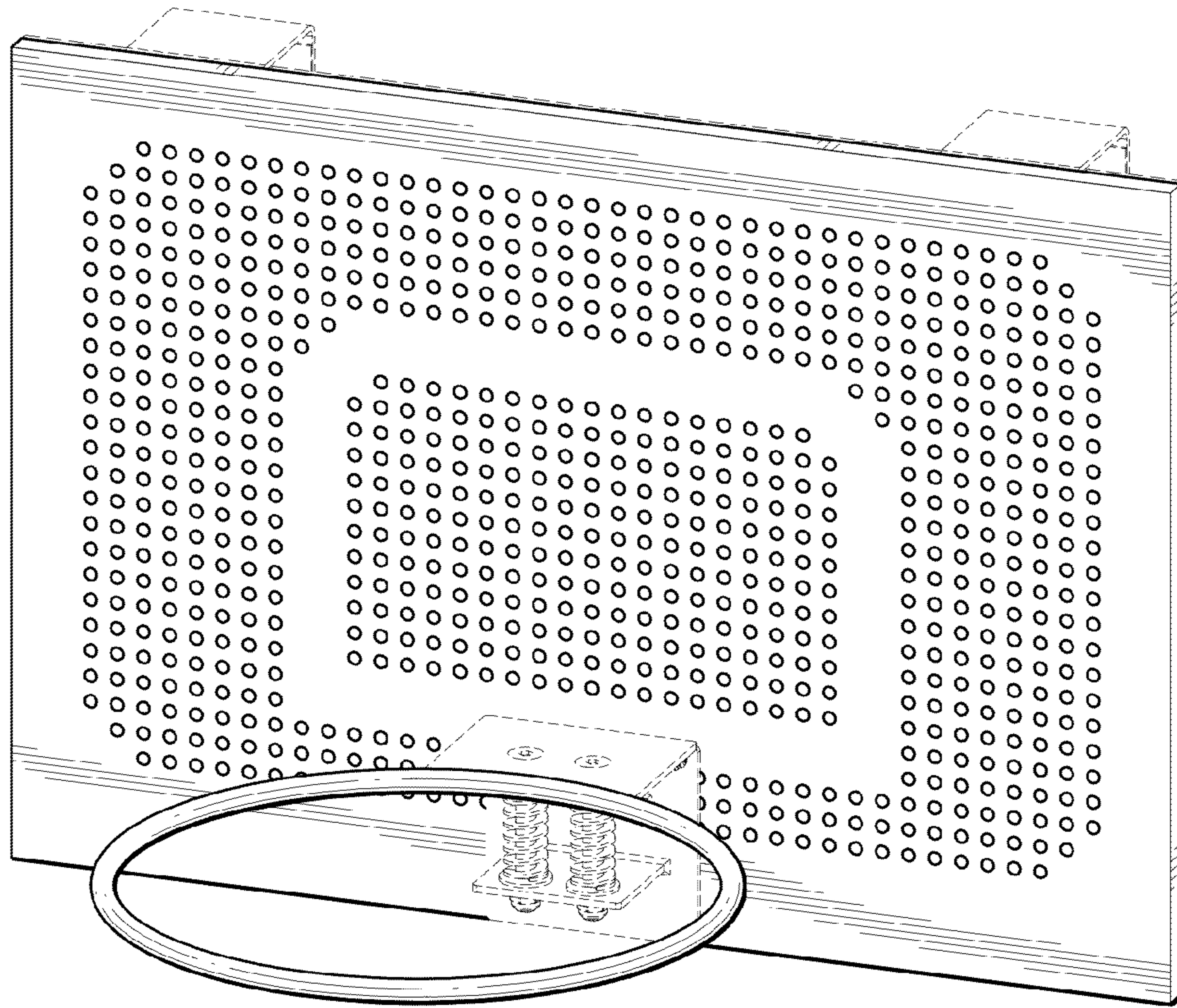


FIG. 15

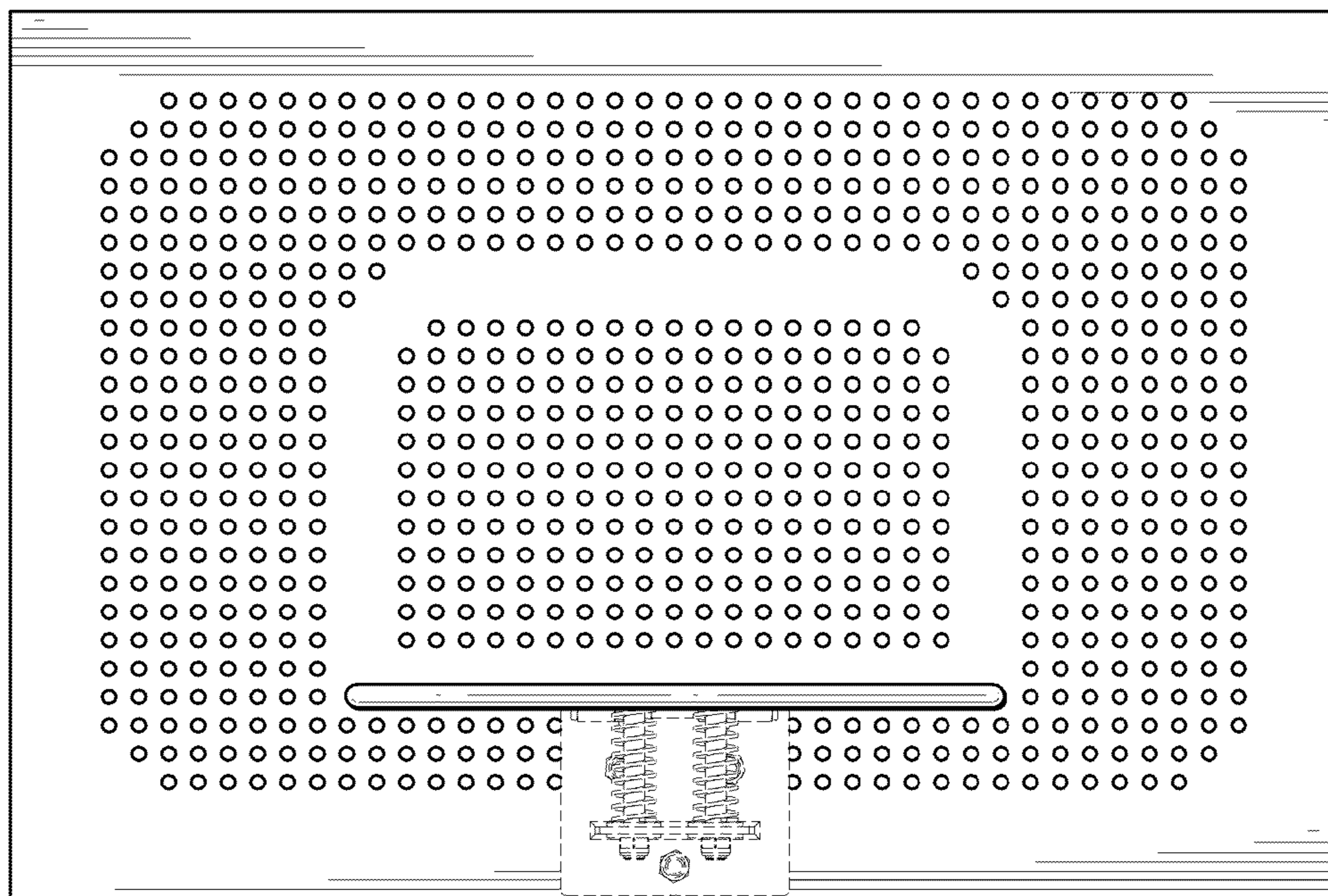


FIG. 16

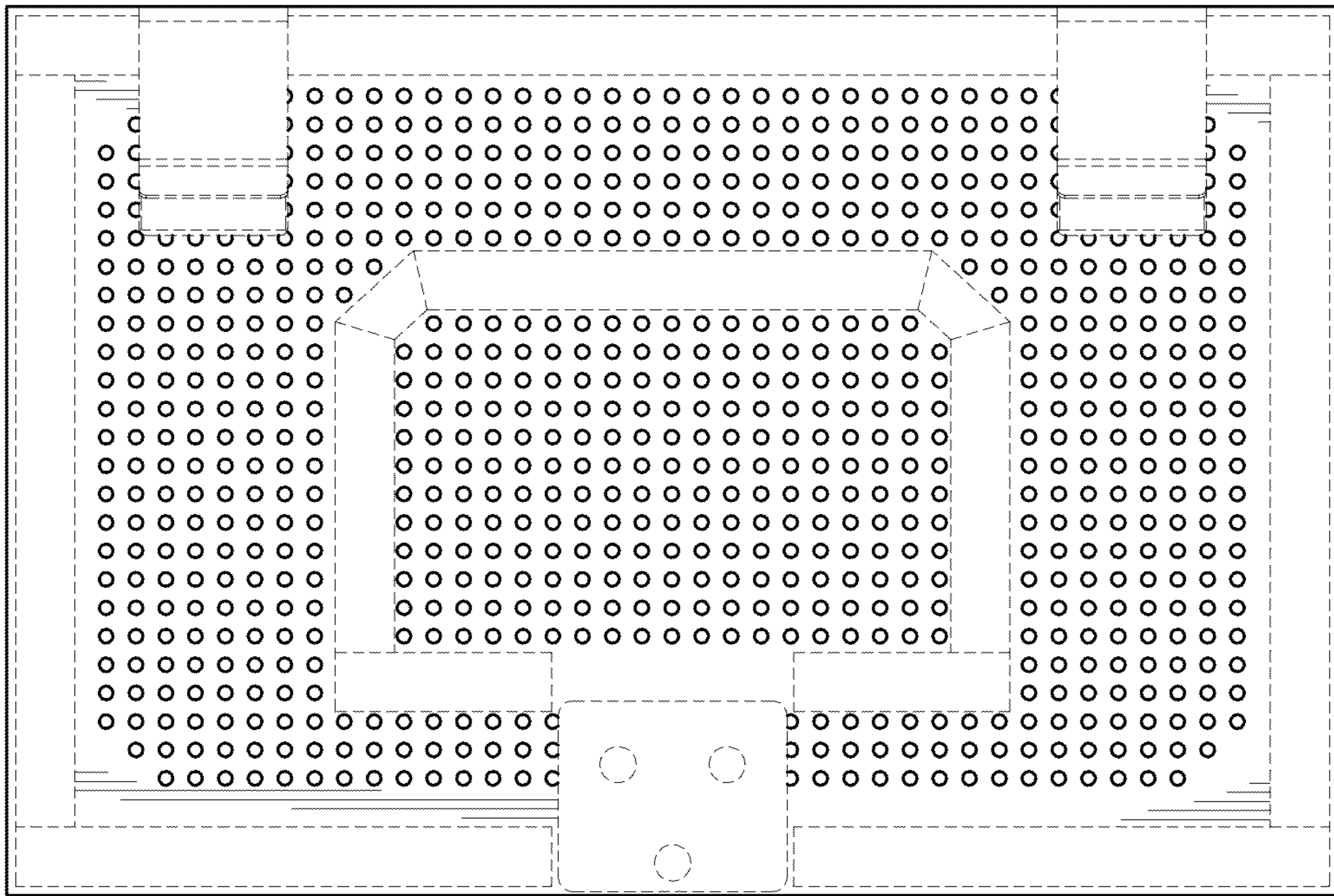


FIG. 17

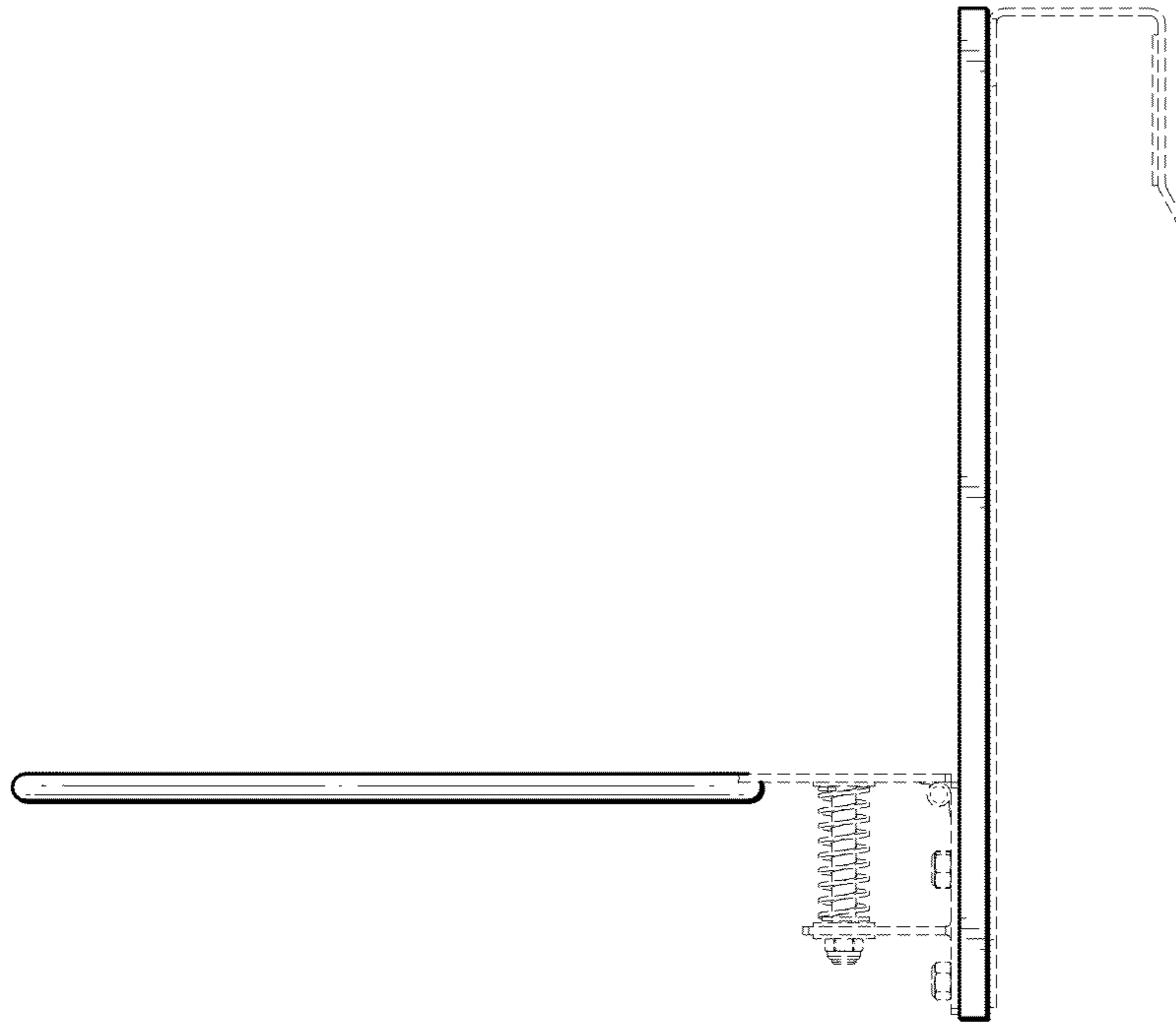


FIG. 18

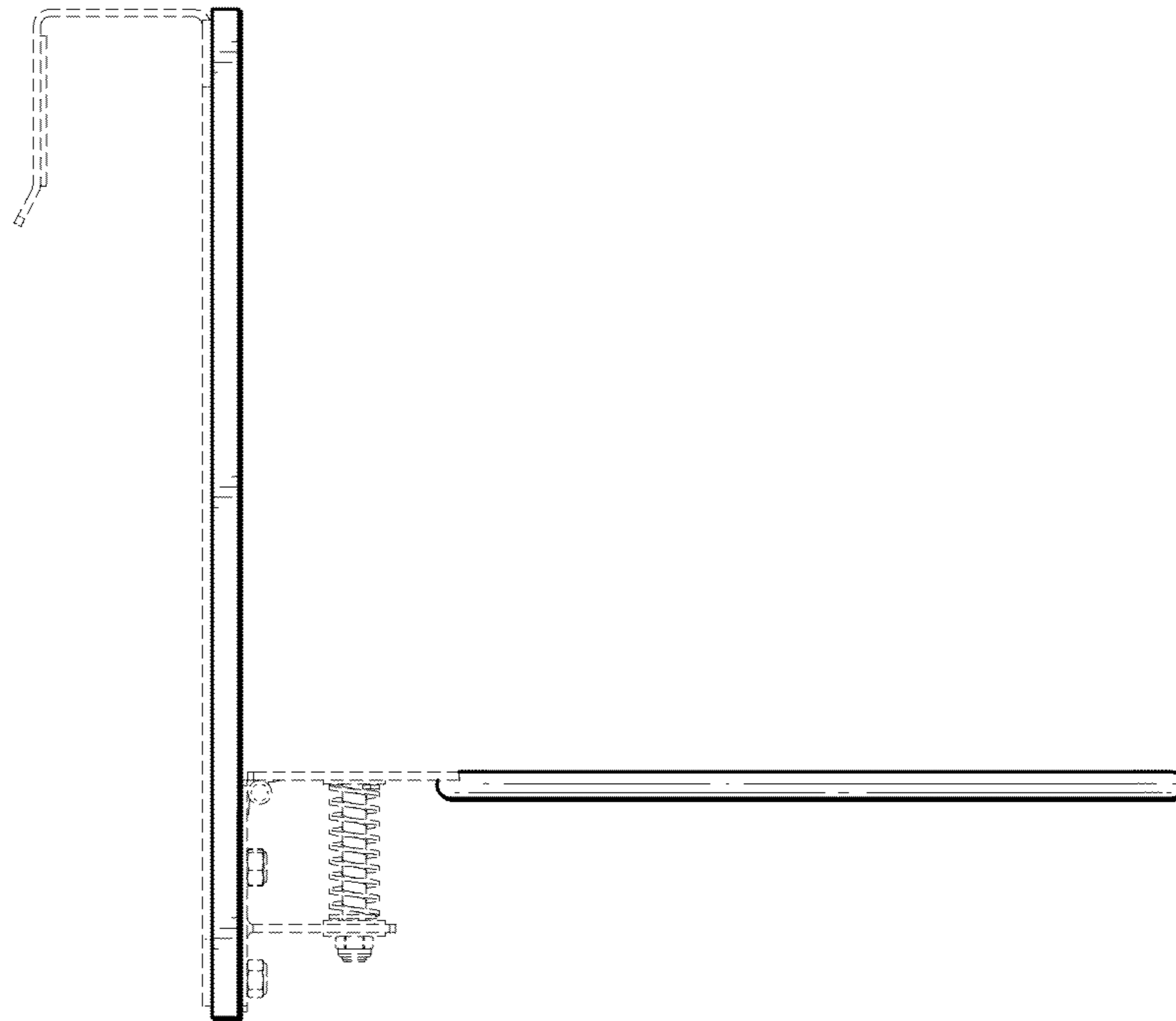


FIG. 19

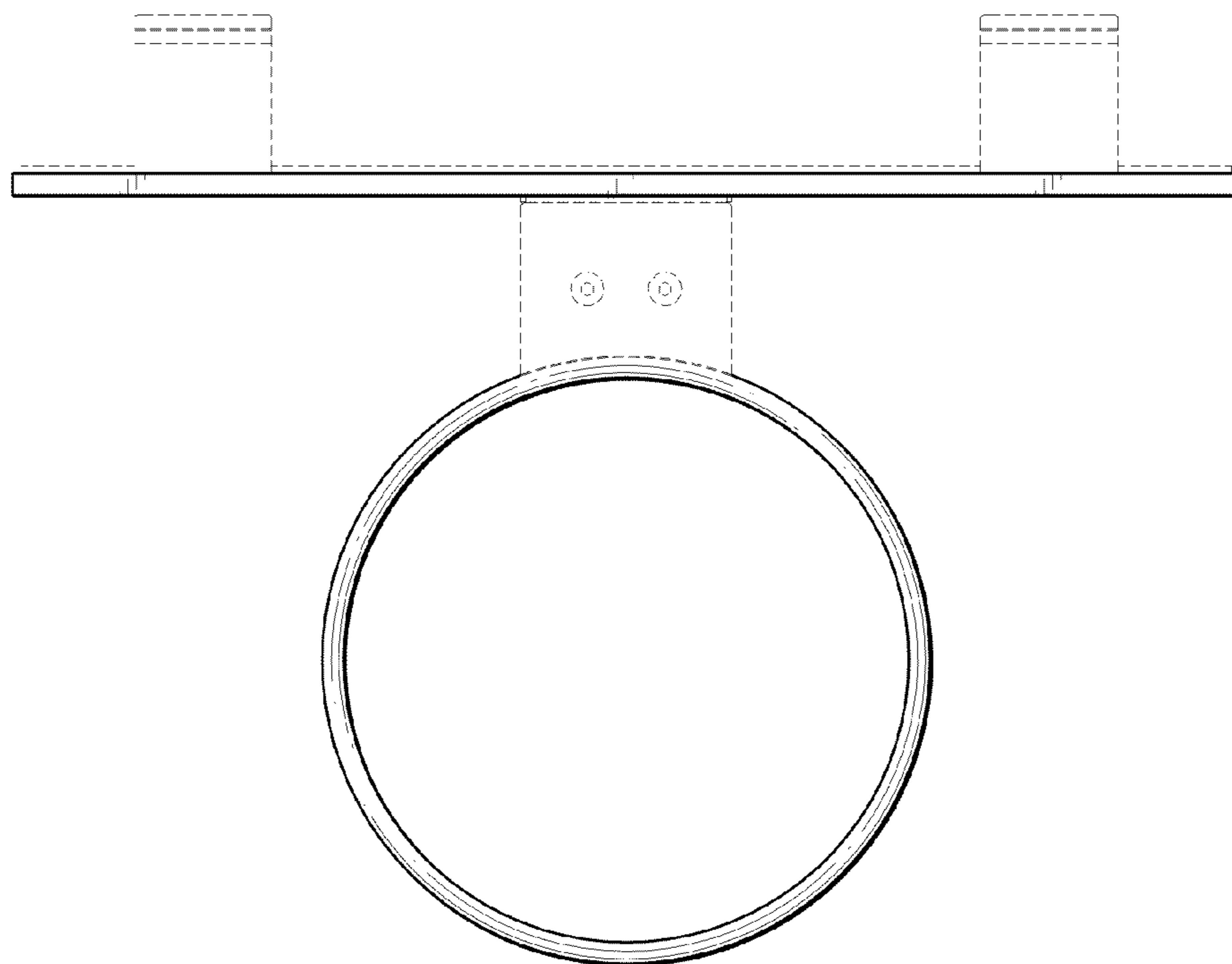


FIG. 20

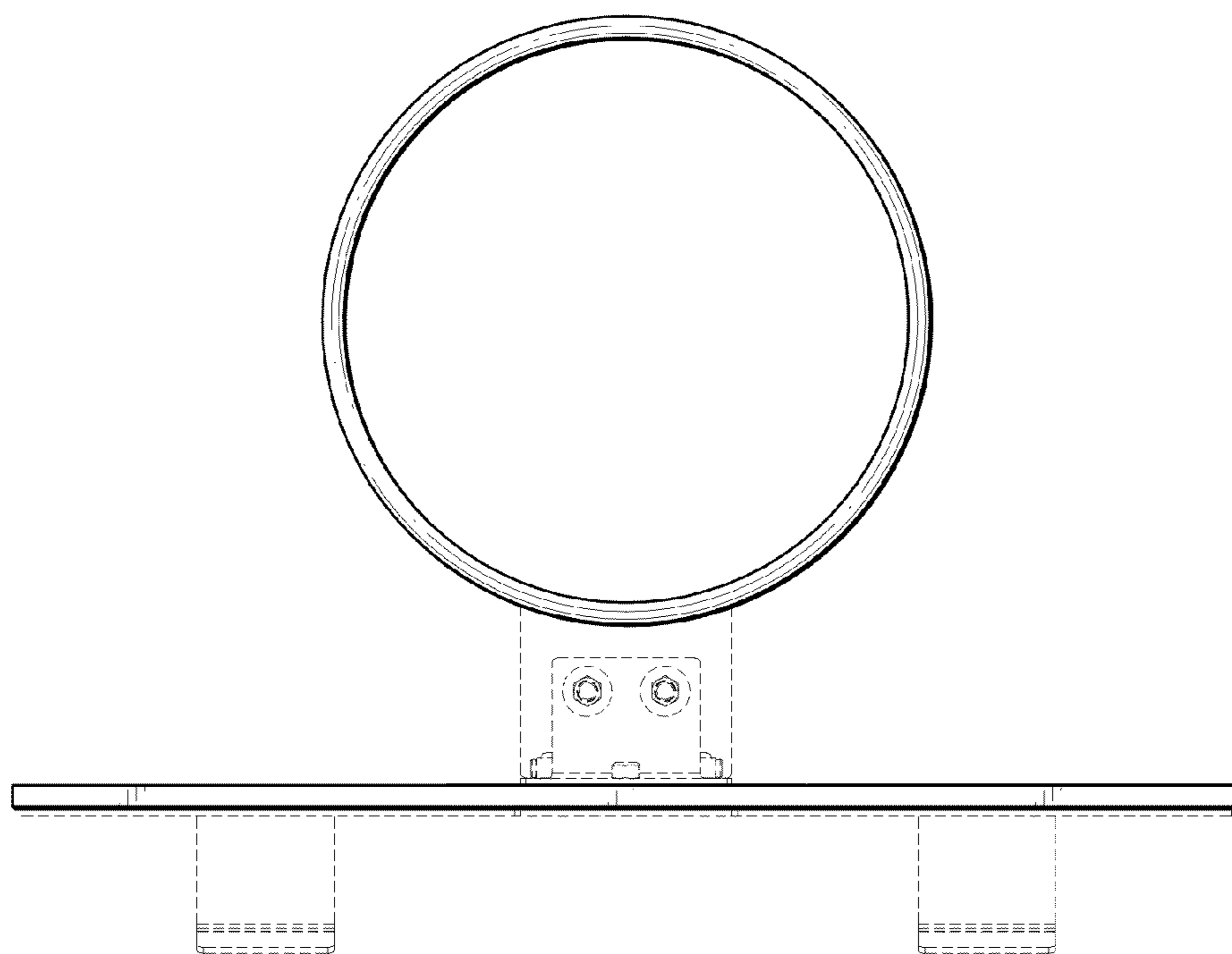


FIG. 21

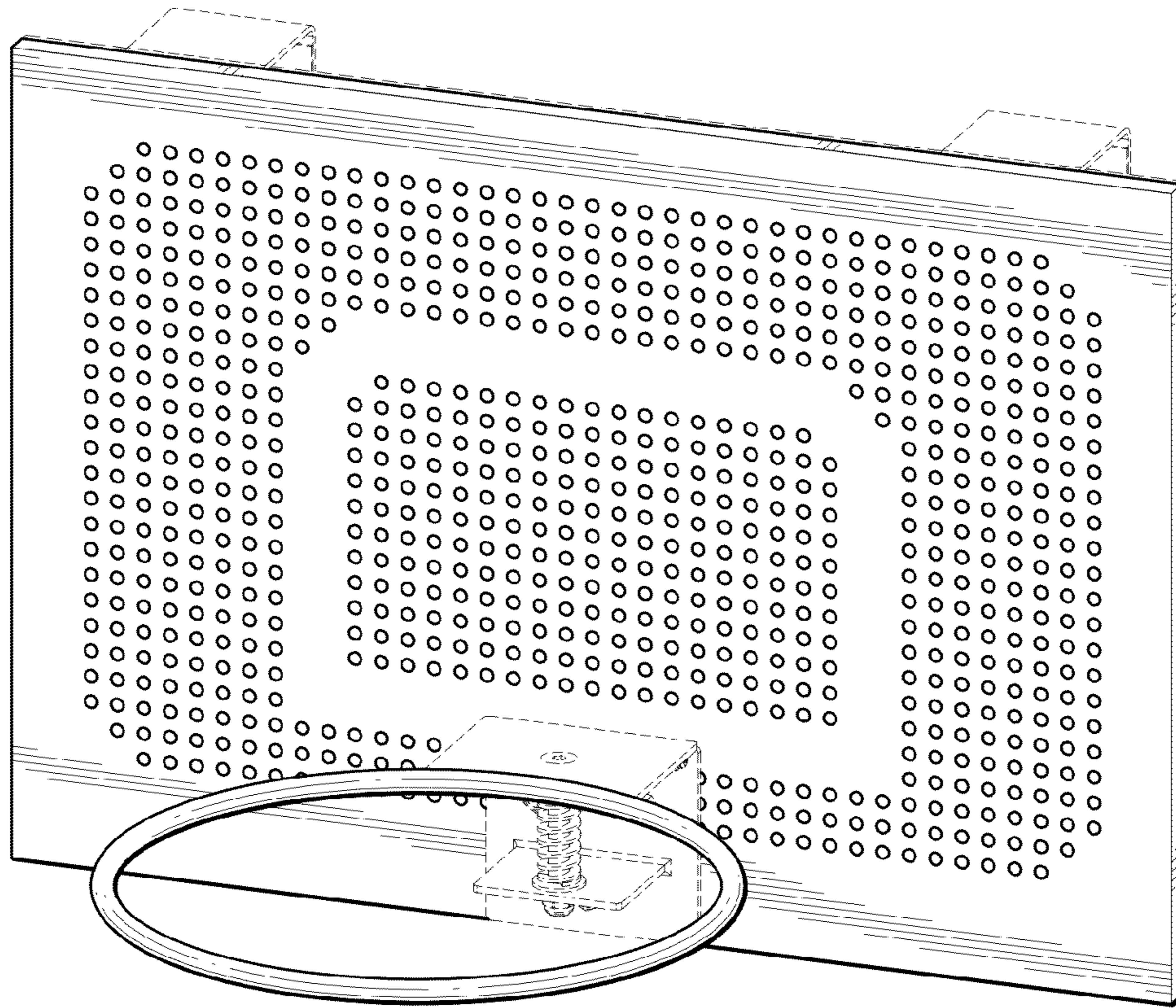


FIG. 22

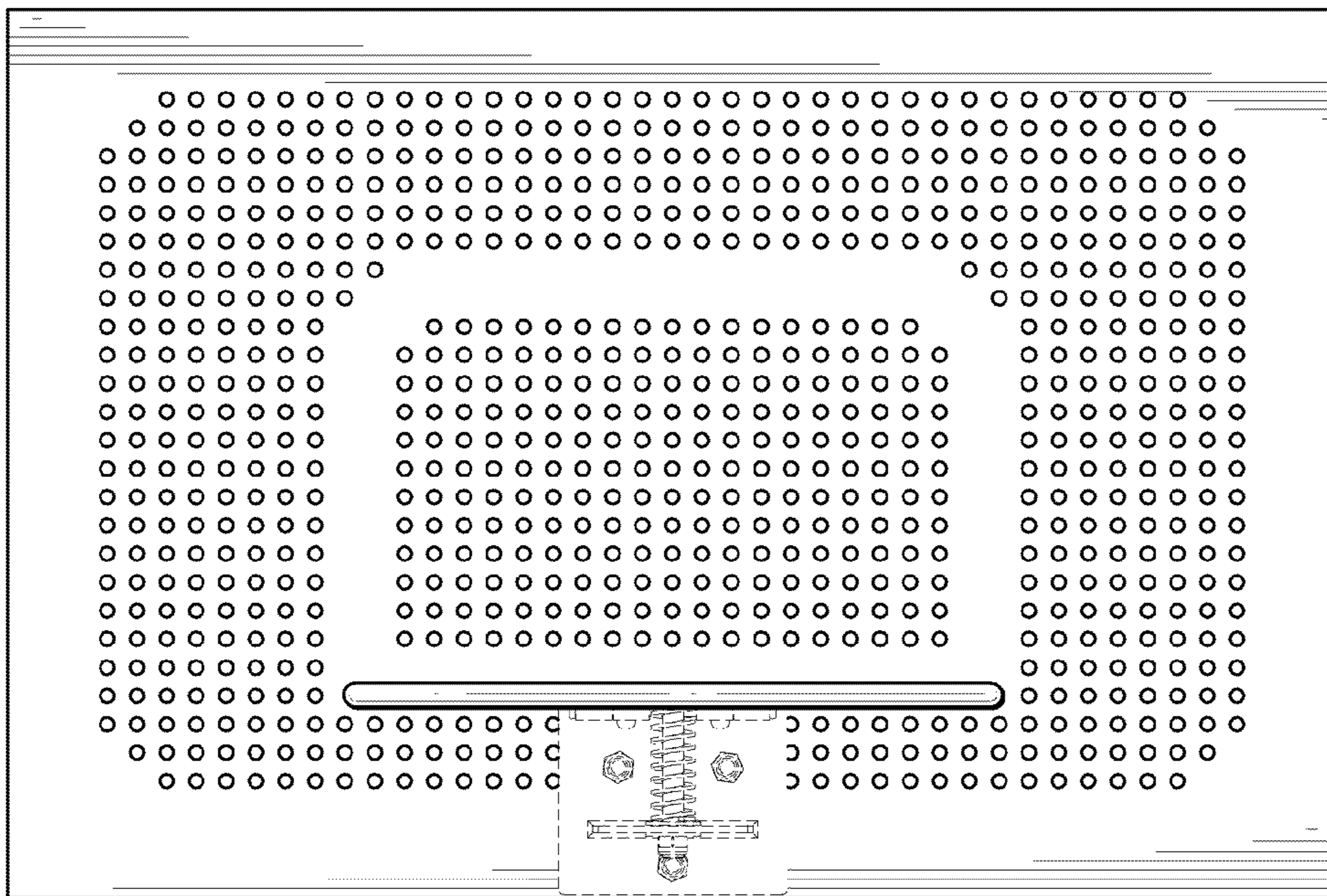


FIG. 23

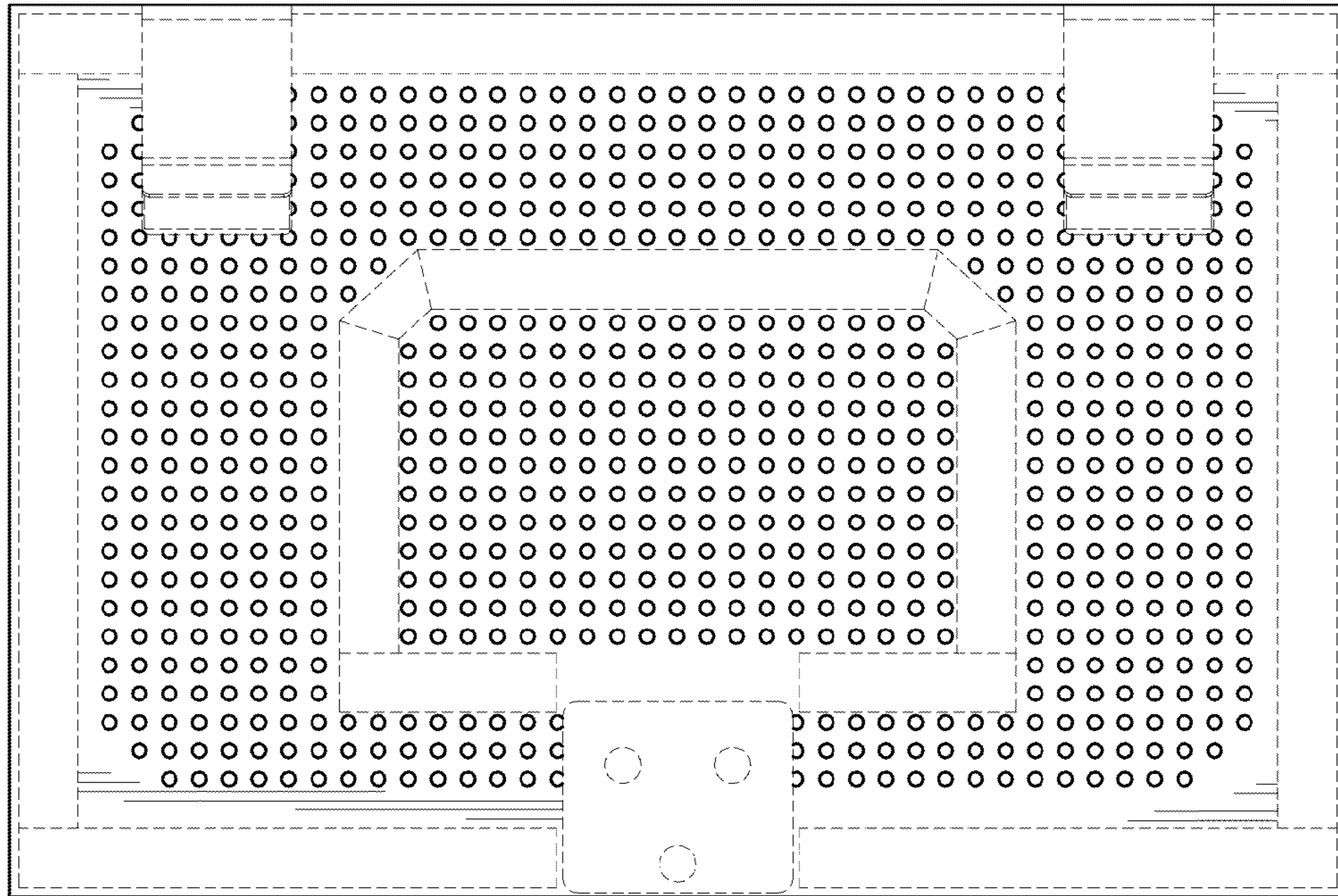


FIG. 24

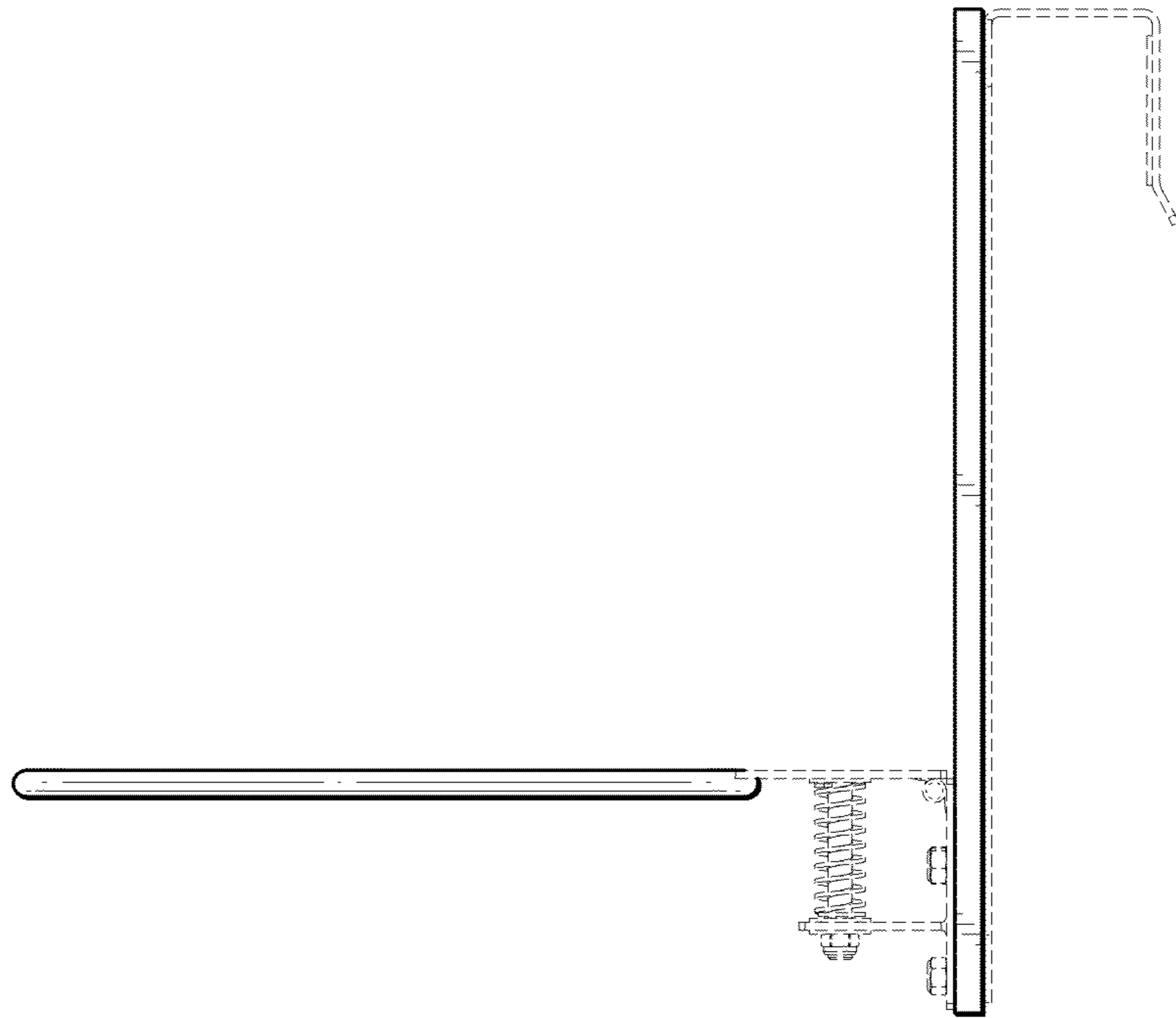


FIG. 25

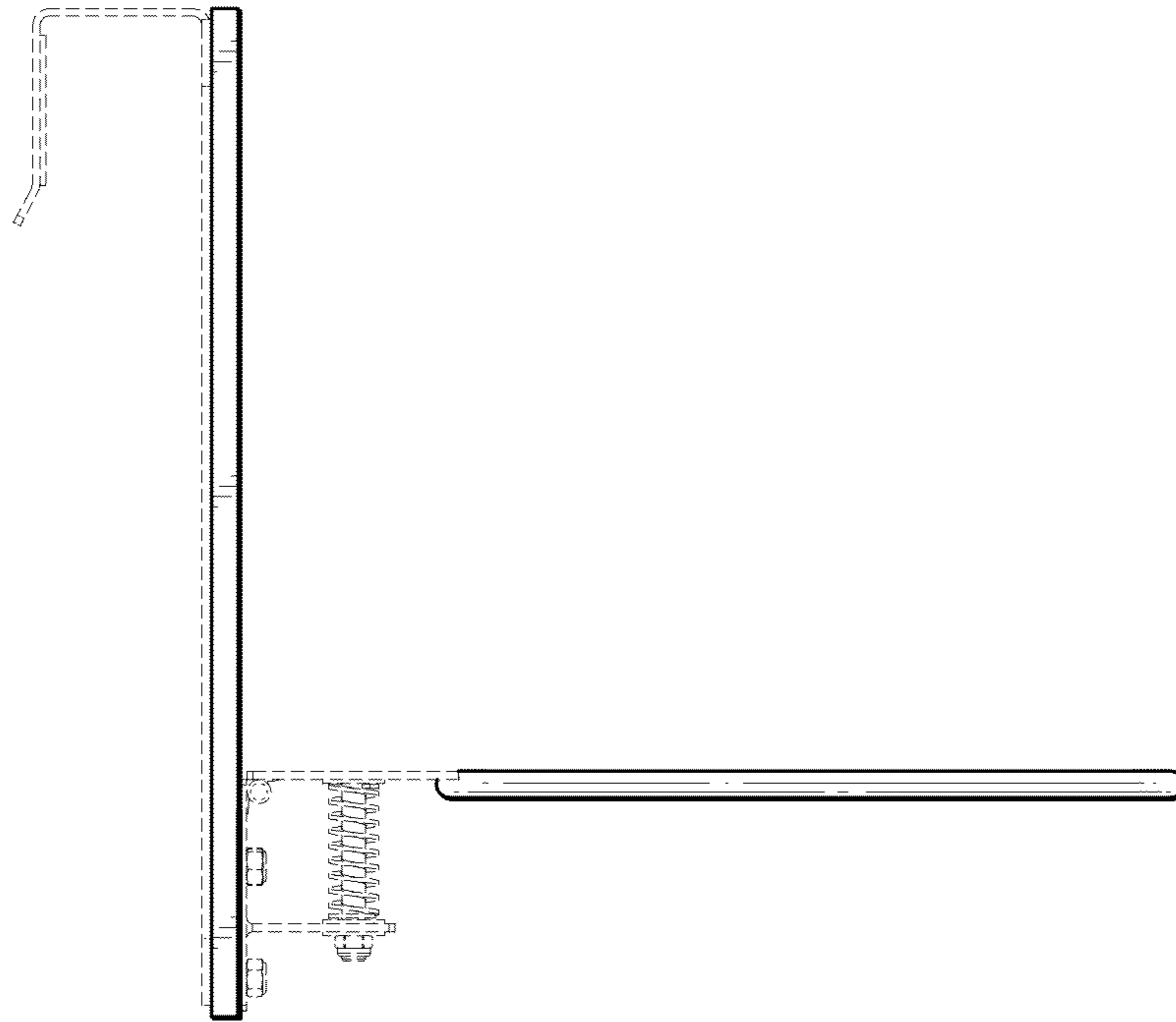


FIG. 26

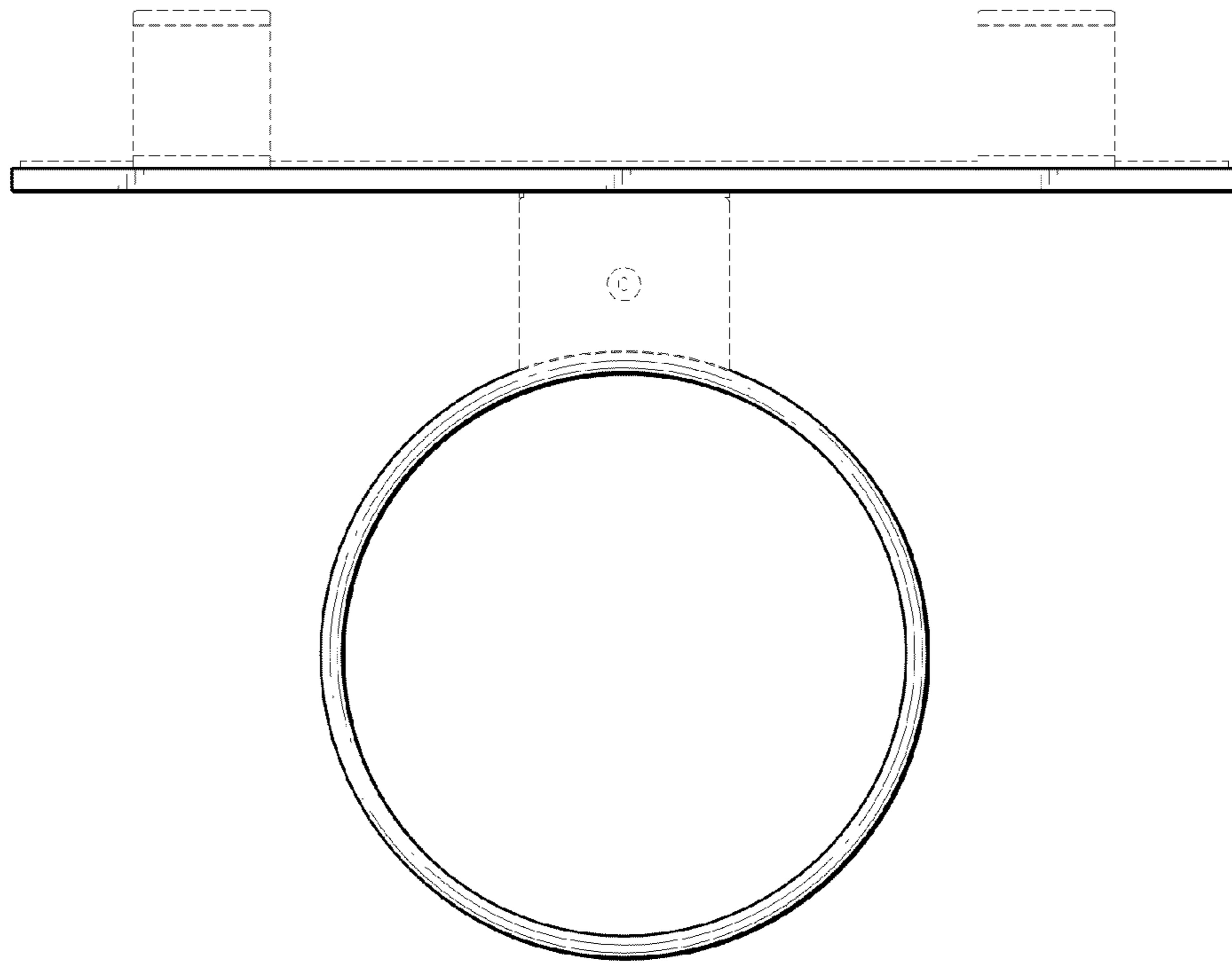


FIG. 27

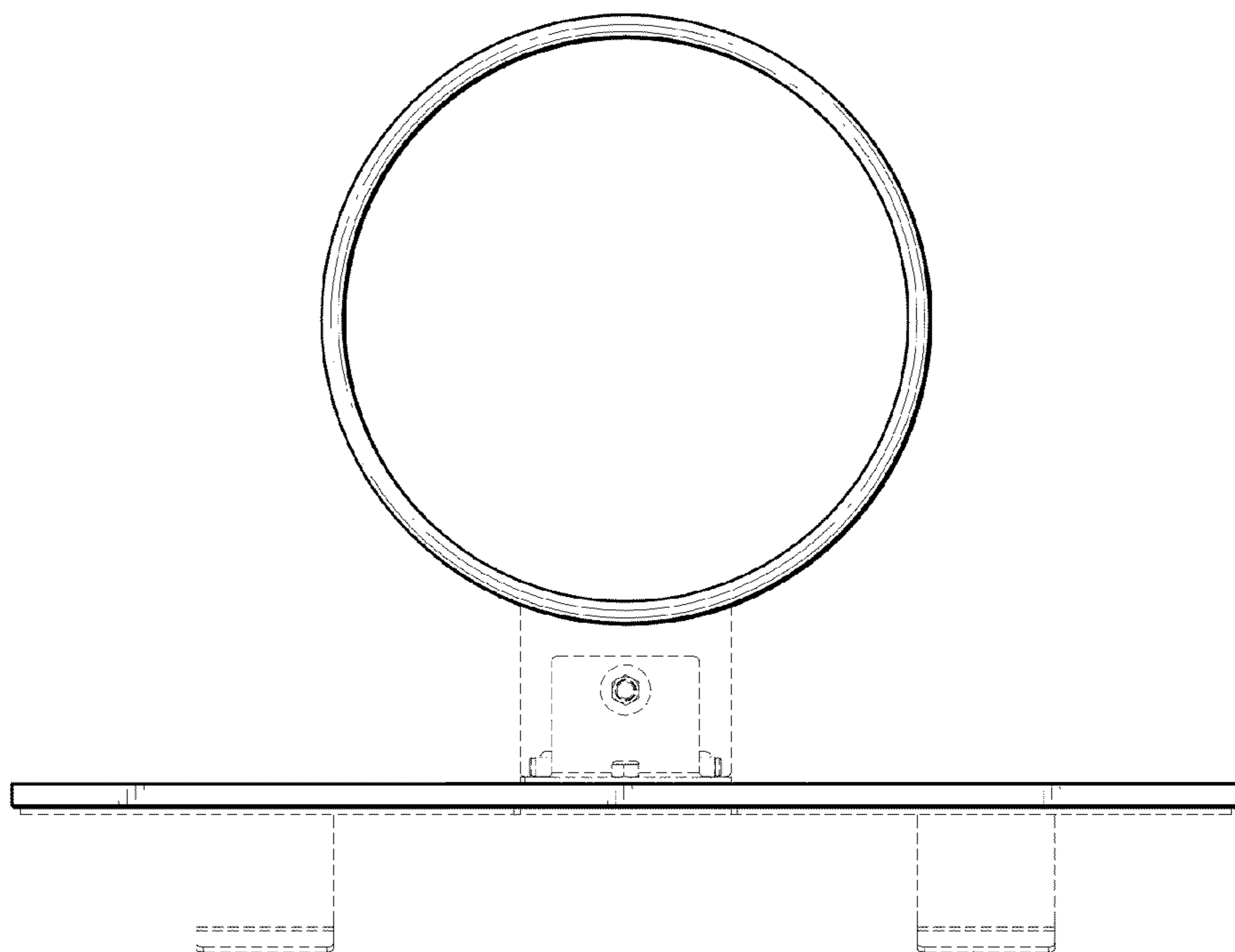


FIG. 28