

US00D696363S

(12) **United States Design Patent**
Holland et al.

(10) **Patent No.:** **US D696,363 S**
(45) **Date of Patent:** **** Dec. 24, 2013**

(54) **BASKETBALL GOAL**

(71) Applicant: **Pro Performance Sports, L.L.C.**,
Carlsbad, CA (US)

(72) Inventors: **Allen Holland**, Sheffield (GB); **Thomas A. Quinn**, Carlsbad, CA (US); **Timothy S. Clark**, San Diego, CA (US); **Eric Lucatero**, Temecula, CA (US); **Brant Michael Taylor**, Encinitas, CA (US)

(73) Assignee: **Pro Performance Sports, L.L.C.**,
Carlsbad, CA (US)

(**) Term: **14 Years**

(21) Appl. No.: **29/433,723**

(22) Filed: **Oct. 4, 2012**

(51) **LOC (9) Cl.** **21-02**

(52) **U.S. Cl.**
USPC **D21/701; D21/703**

(58) **Field of Classification Search**
USPC D21/301–305, 698–705, 781; 473/433,
473/447, 448, 449, 472, 476, 479–489;
273/317, 317.3, 348, 398–410
See application file for complete search history.

(56) **References Cited**

U.S. PATENT DOCUMENTS

2,838,308	A *	6/1958	Polite	473/488
3,446,504	A *	5/1969	Pascucci	473/449
D216,722	S *	3/1970	Minnette	D21/702
3,603,588	A *	9/1971	Ebstein	473/485
3,716,234	A *	2/1973	Lancellotti	473/481
D229,430	S *	11/1973	Fortin	D21/702
3,945,638	A *	3/1976	Luebke	473/433
D255,040	S *	5/1980	Cochran et al.	D21/702
4,424,968	A *	1/1984	Smith	473/481
4,546,975	A *	10/1985	Nims	473/447
4,826,162	A *	5/1989	Allen	473/481
4,877,241	A *	10/1989	Rothbard	473/485
D321,392	S *	11/1991	Chen	D21/702
5,098,092	A *	3/1992	Aakre et al.	473/483
D330,059	S	10/1992	McGivern et al.	

D397,384	S	8/1998	DeArmond	
D399,895	S *	10/1998	Schickert et al.	D21/703
5,816,948	A *	10/1998	Davies et al.	473/485
5,830,088	A *	11/1998	Franklin de Abreu	473/433
6,056,654	A	5/2000	Schroeder	
6,554,724	B2	4/2003	Taylor	
6,746,348	B2	6/2004	Barnes et al.	
6,984,129	B1	1/2006	Jordan	
D554,193	S *	10/2007	Palmeri et al.	D21/305
7,510,492	B2 *	3/2009	Hudson	473/433
D608,848	S	1/2010	Quinn	
D647,983	S	11/2011	Quinn	
8,167,745	B2	5/2012	Britto et al.	
2004/0038760	A1 *	2/2004	Diaz et al.	473/485
2005/0255946	A1	11/2005	Liu	
2007/0213147	A1	9/2007	Nye et al.	
2008/0004139	A1	1/2008	Jang	
2008/0176679	A1	7/2008	Chin	
2009/0149282	A1	6/2009	Dahlin	

FOREIGN PATENT DOCUMENTS

CN	3342204	* 12/2003
CN	2029745	* 4/2004
CN	3451447	6/2005
CN	300739456	* 1/2008
CN	300762342	* 4/2008
CN	300865350	* 12/2008
CN	301582036	* 6/2011
DE	M9407619-0001	* 4/1995
EM	000092028-0001	* 2/2004
GB	2029745	3/1980
WO	D011740-001	* 11/1988

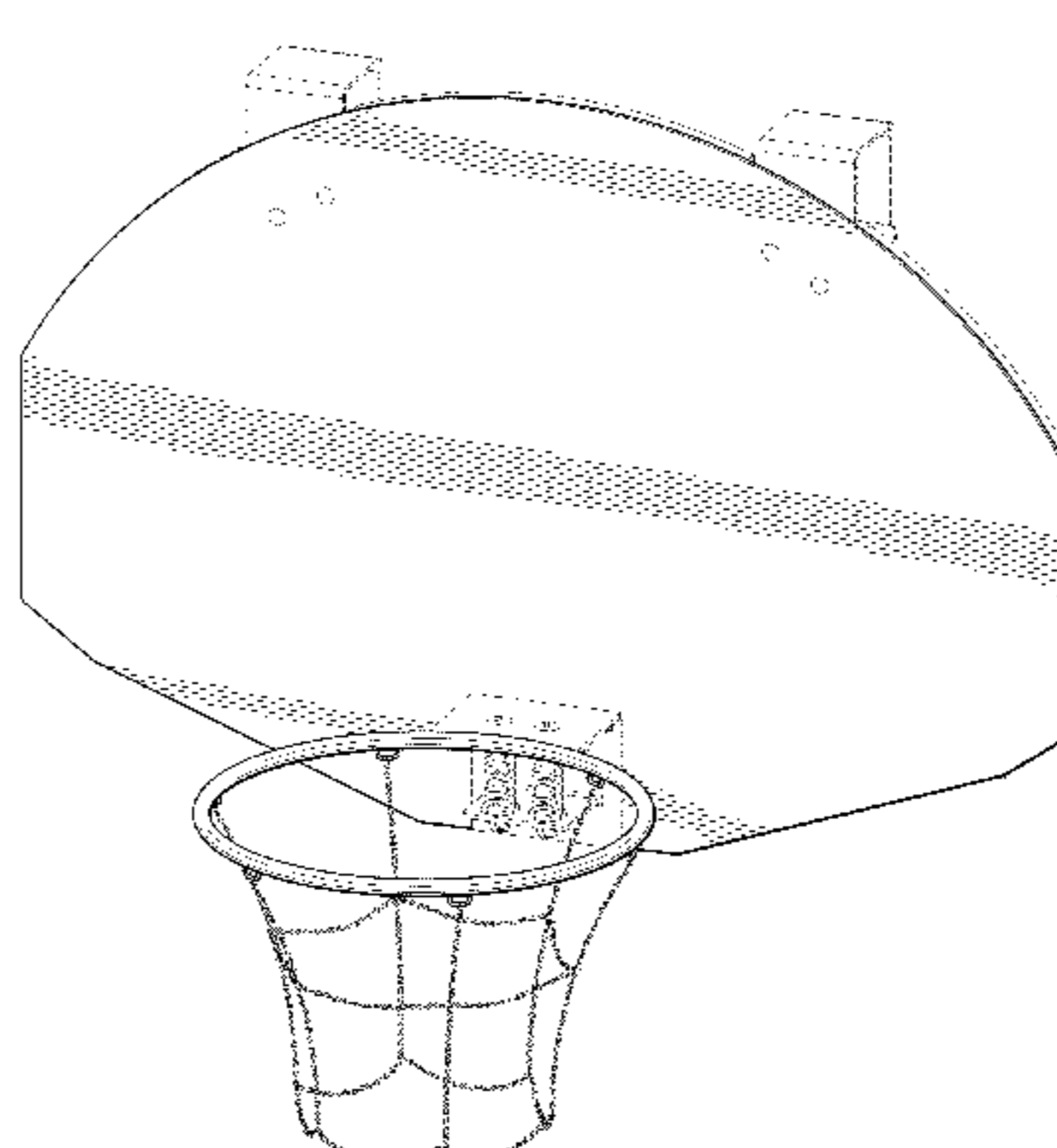
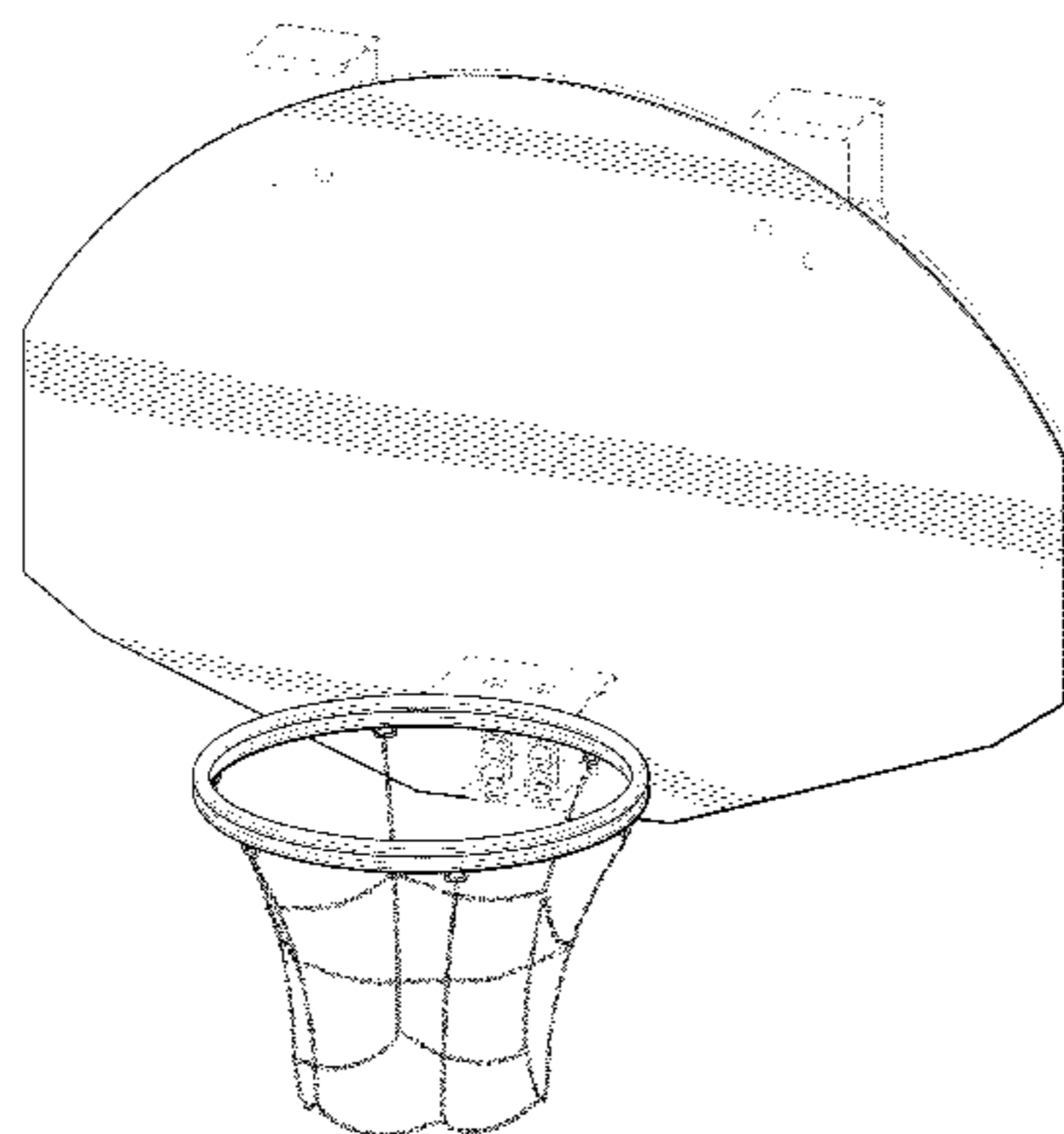
OTHER PUBLICATIONS

GLS Greg Larson Sports 2002 Full Line Catalog: 1) p. 72: Bison Ultimate Playground Goal with chain net, 2) p. 76: Bent Post Basketball Backstop on lower left, 3) p. 77: Wall Mounted Basketball Backstop on lower right, 4) p. 78: Pole Mount Adjustable Height Backboard System on lower right, 5) p. 79: Little Champ goal on upper right.*
Sportime® Fall 2003 Catalog: 1) p. 189—item D, 2) p. 196—all basketball goals shown.*

* cited by examiner

Primary Examiner — Catherine Tuttle

(74) *Attorney, Agent, or Firm* — Kenneth H. Ohriner; Perkins Coie LLP



(57)

CLAIM

The ornamental design for a basketball goal, substantially as shown and described.

DESCRIPTION

FIG. 1 is a perspective view showing of our new design for a basketball goal in a first embodiment having a double rim;
FIG. 2 is a front view of FIG. 1;
FIG. 3 is an enlarged view of the chain portion within area 3 of FIG. 2, the detail within this portion being continued throughout the remainder of the net;
FIG. 4 is a rear view of FIG. 1;
FIG. 5 is a left side view of FIG. 1;
FIG. 6 is a right side view of FIG. 1;
FIG. 7 is a top view of FIG. 1;
FIG. 8 is a bottom view of FIG. 1;
FIG. 9 is a perspective view showing the first embodiment of our design in association with a single-spring bracket assembly;
FIG. 10 is front view of FIG. 9;
FIG. 11 is an enlarged view of the chain portion within area 11 of FIG. 10, the detail within this portion being continued throughout the remainder of the net;
FIG. 12 is a rear view of FIG. 9;
FIG. 13 is a left side view of FIG. 9;
FIG. 14 is a right side view of FIG. 9;
FIG. 15 is a top view of FIG. 9;
FIG. 16 is a bottom view of FIG. 9;

FIG. 17 is a perspective view showing our new design for a basketball goal in a second embodiment that differs from the first embodiment in having a single rim;
FIG. 18 is a front view of FIG. 17;
FIG. 19 is an enlarged view of the chain portion within area 19 of FIG. 18, the detail within this portion being continued throughout the remainder of the net;
FIG. 20 is a rear view of FIG. 17;
FIG. 21 is a left side view of FIG. 17;
FIG. 22 is a right side view of FIG. 17;
FIG. 23 is a top view of FIG. 17;
FIG. 24 is a bottom view of FIG. 17;
FIG. 25 is a perspective view showing the second embodiment of our design in association with a single-spring bracket assembly;
FIG. 26 is front view of FIG. 25
FIG. 27 is an enlarged view of the chain portion within area 27 of FIG. 26, the detail within this portion being continued throughout the remainder of the net;
FIG. 28 is a rear view of FIG. 25;
FIG. 29 is a left side view of FIG. 25
FIG. 30 is a right side view of FIG. 25;
FIG. 31 is a top view of FIG. 25; and,
FIG. 32 is a bottom view of FIG. 25.
The broken lines are included for the purpose of illustrating the unclaimed elements of the basketball goal, namely, the brackets, springs, spring bolts, bolt nuts and portions of the rear surface.

1 Claim, 24 Drawing Sheets

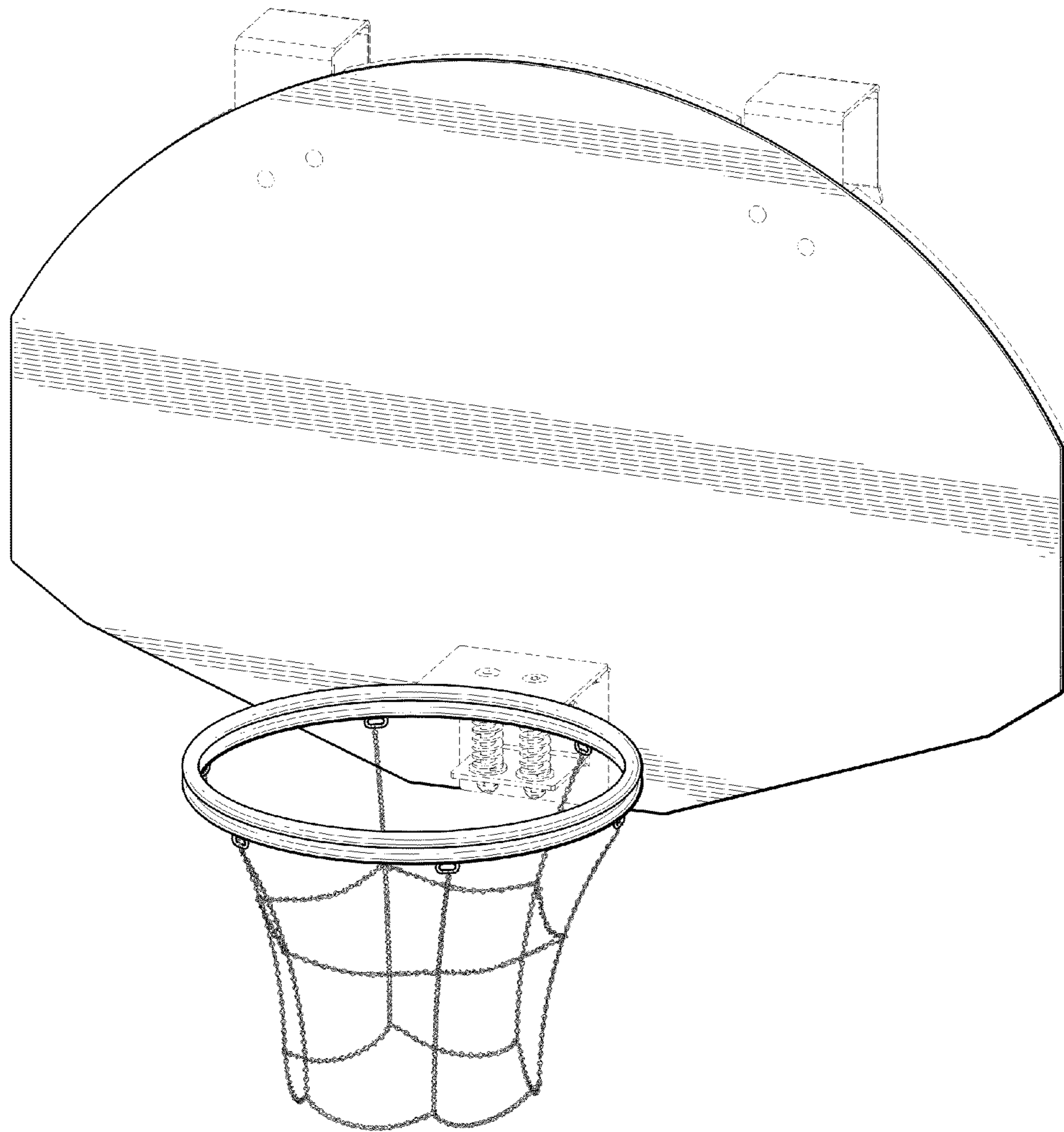


FIG. 1

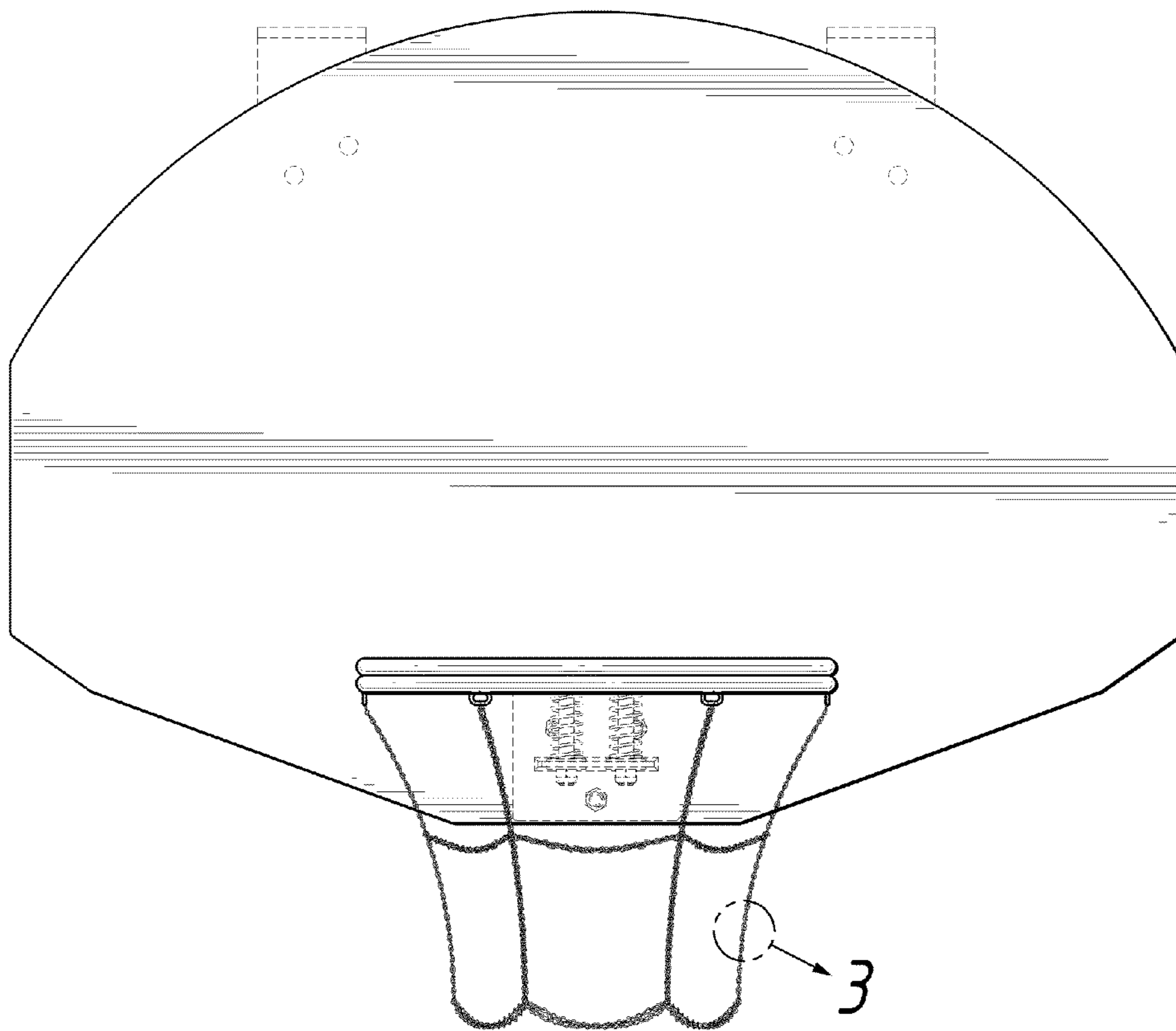


FIG. 2

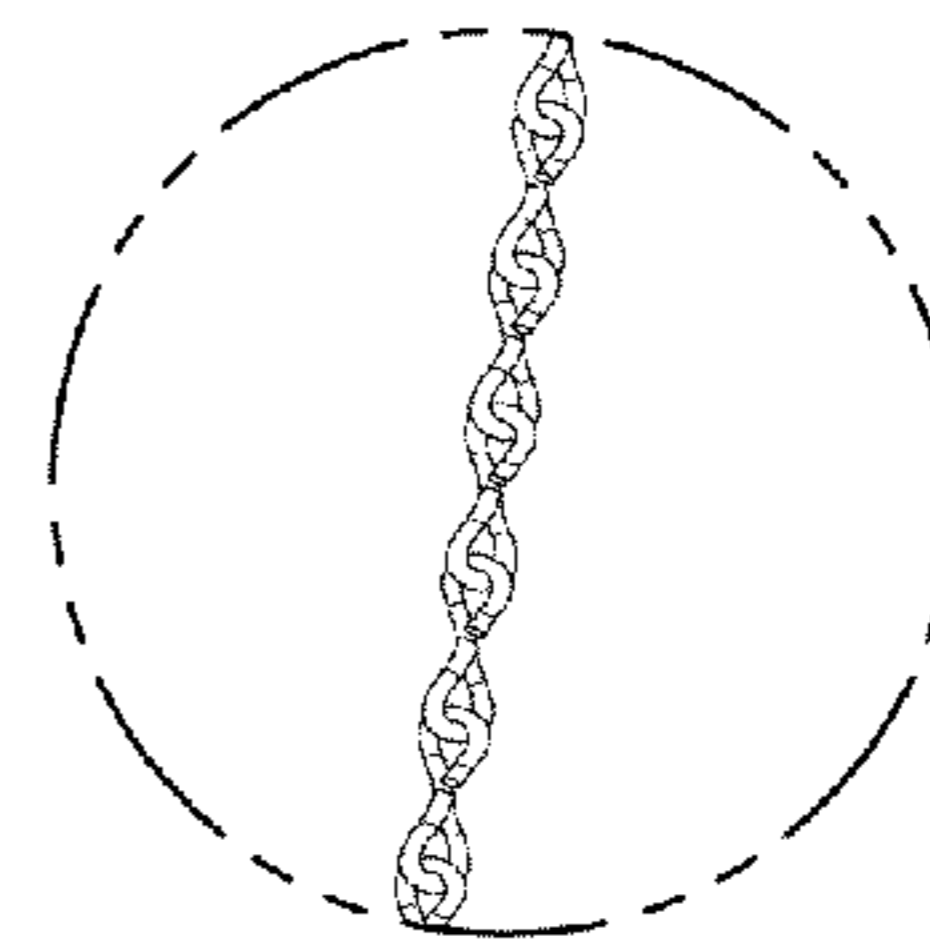


FIG. 3

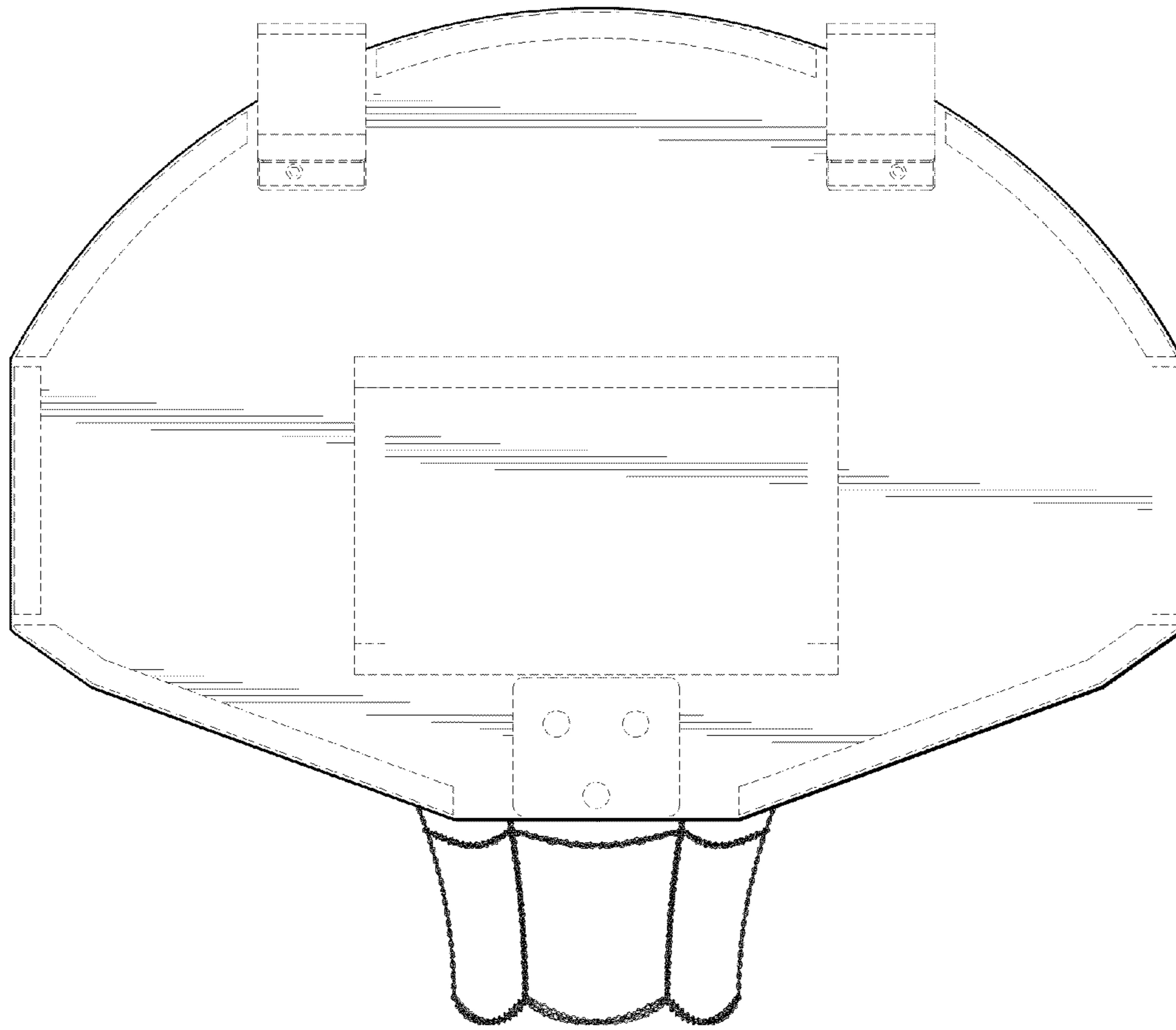


FIG. 4

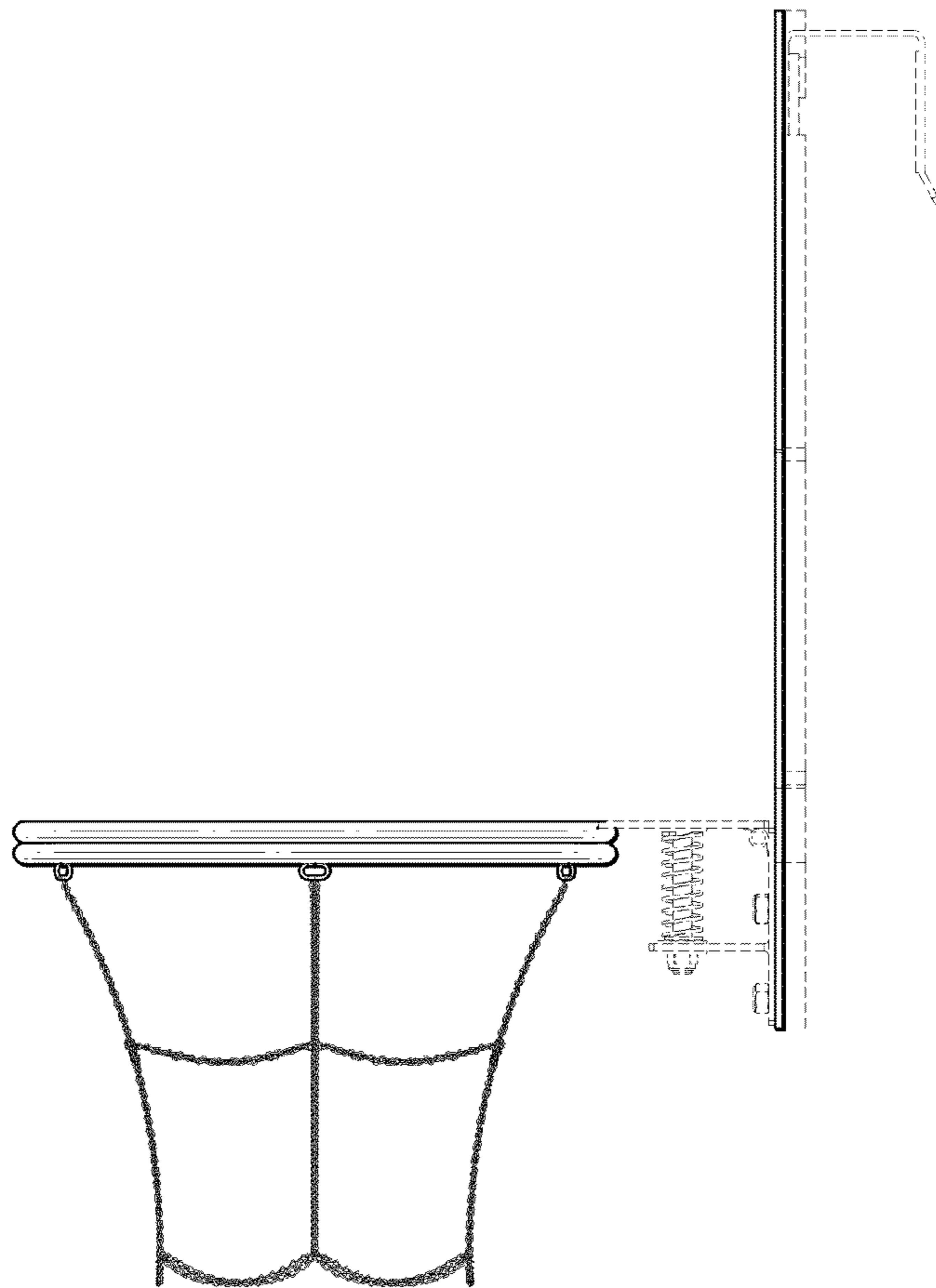


FIG. 5

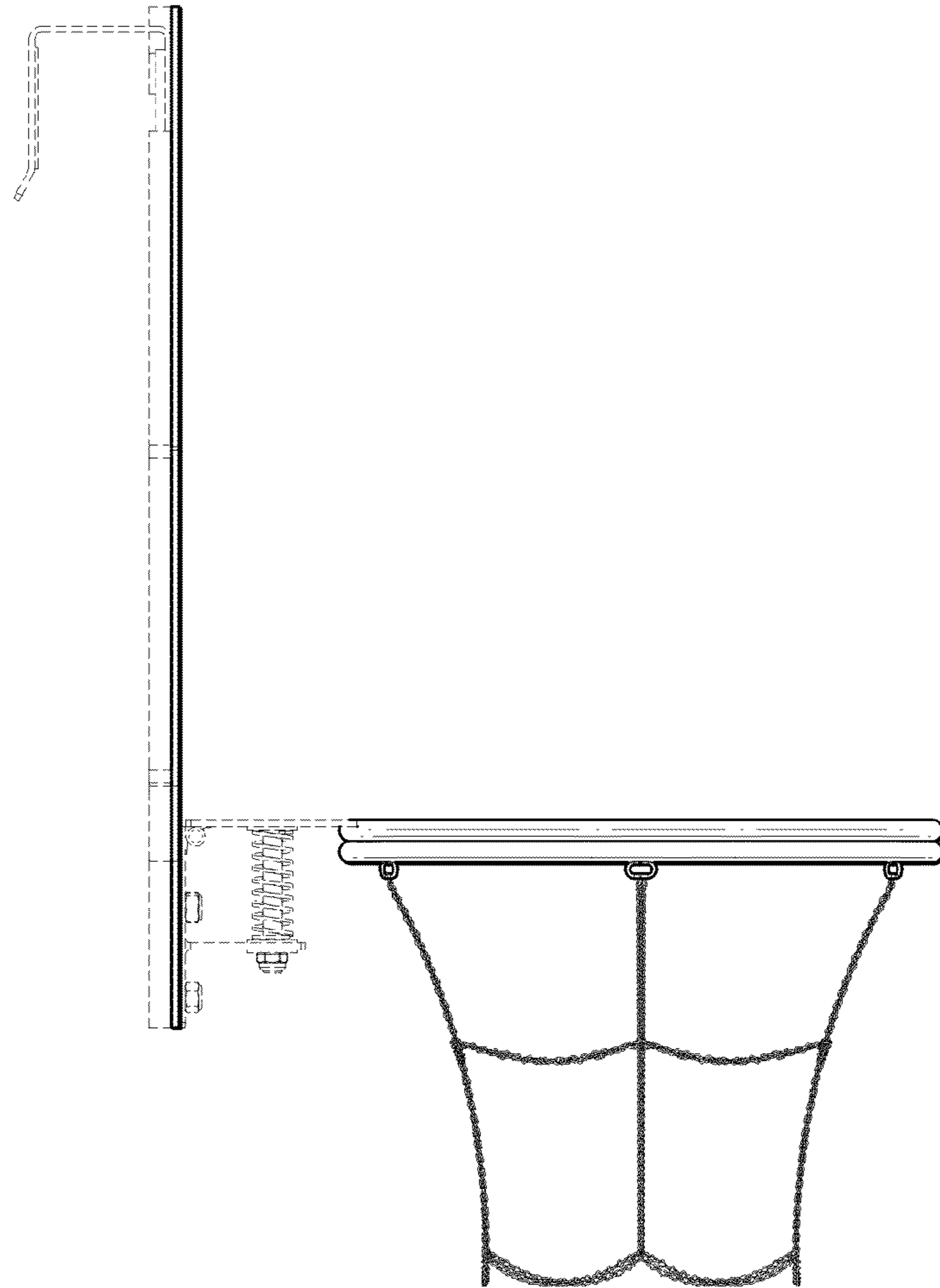


FIG. 6

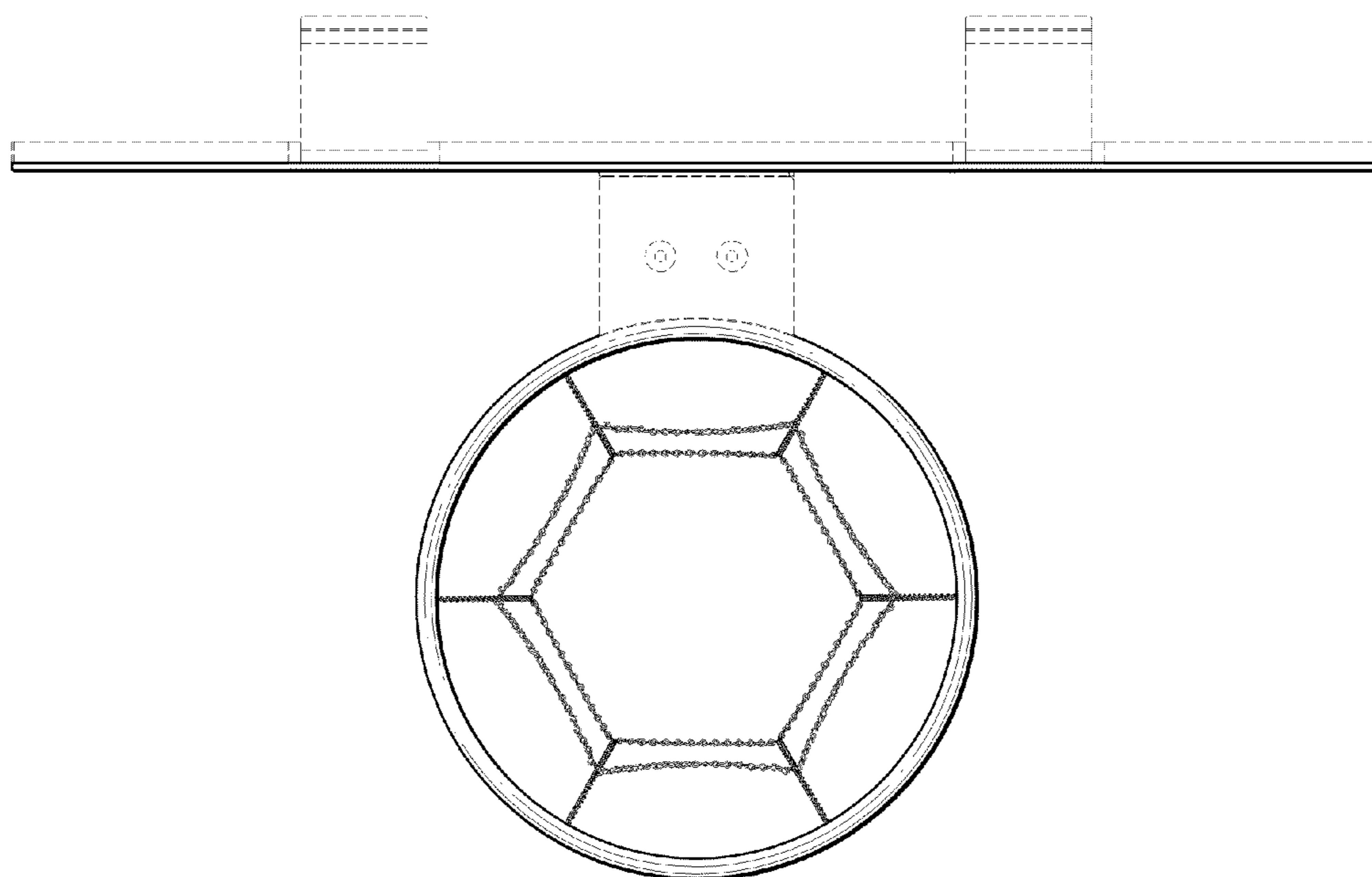


FIG. 7

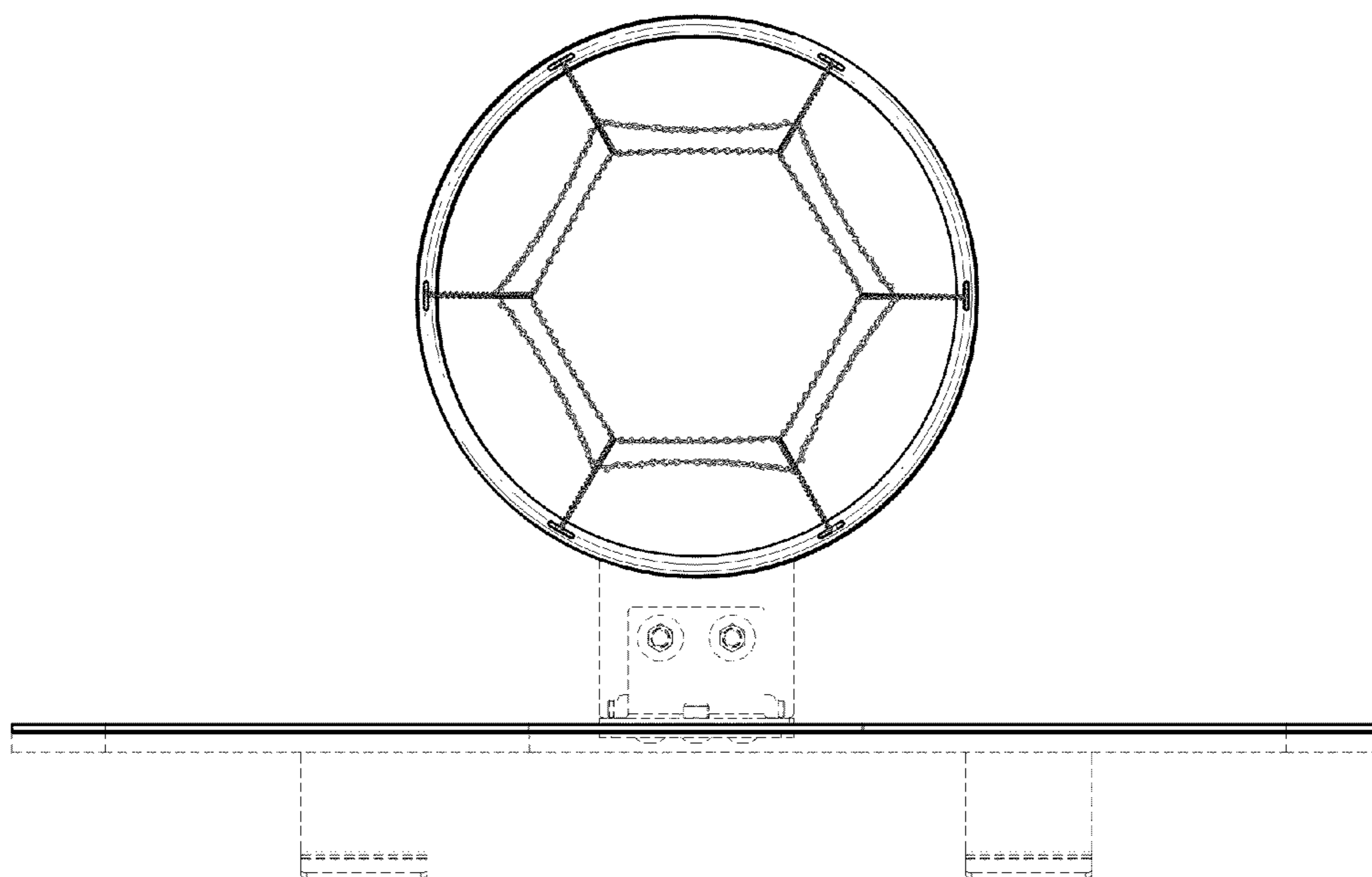


FIG. 8

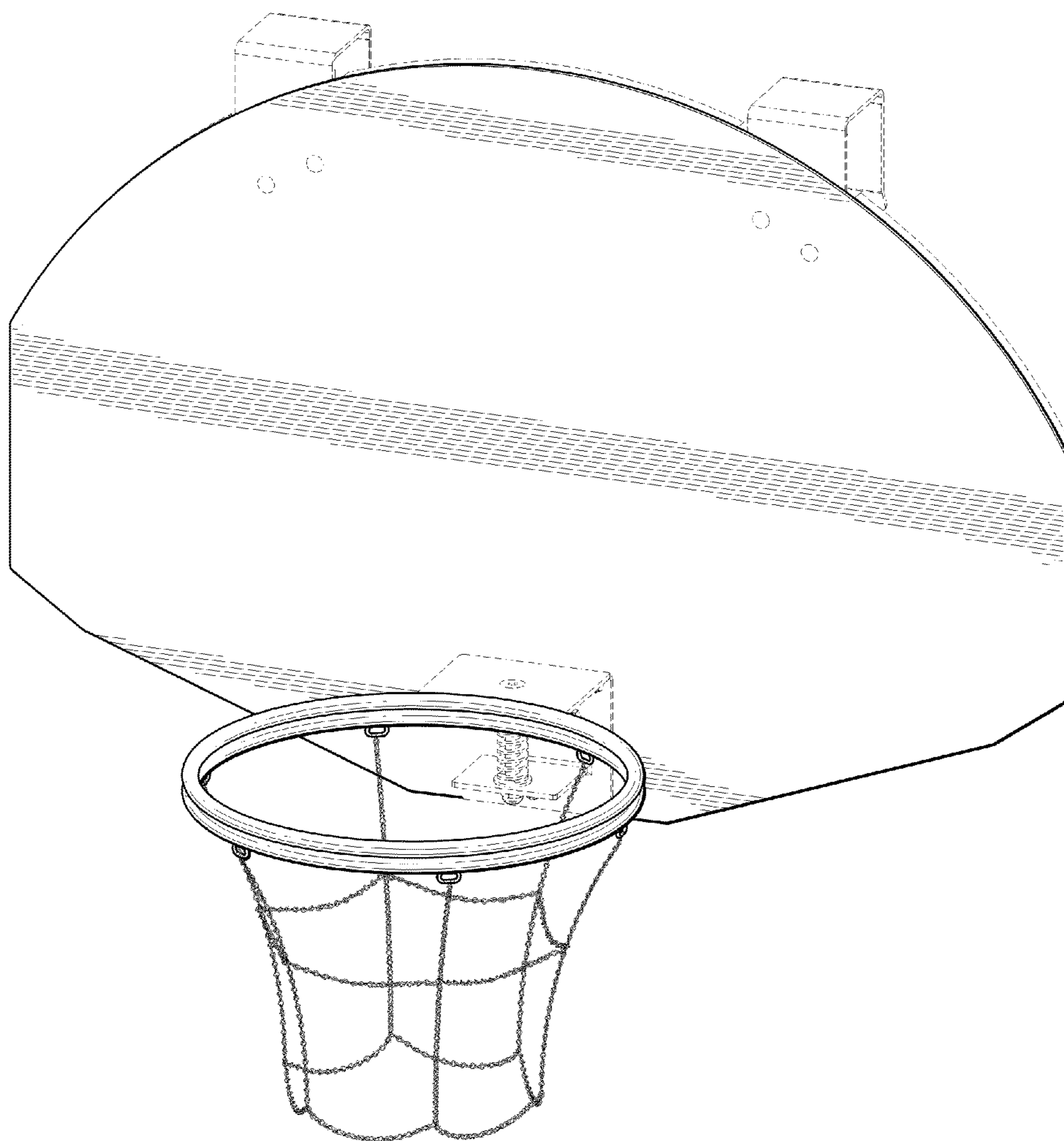


FIG. 9

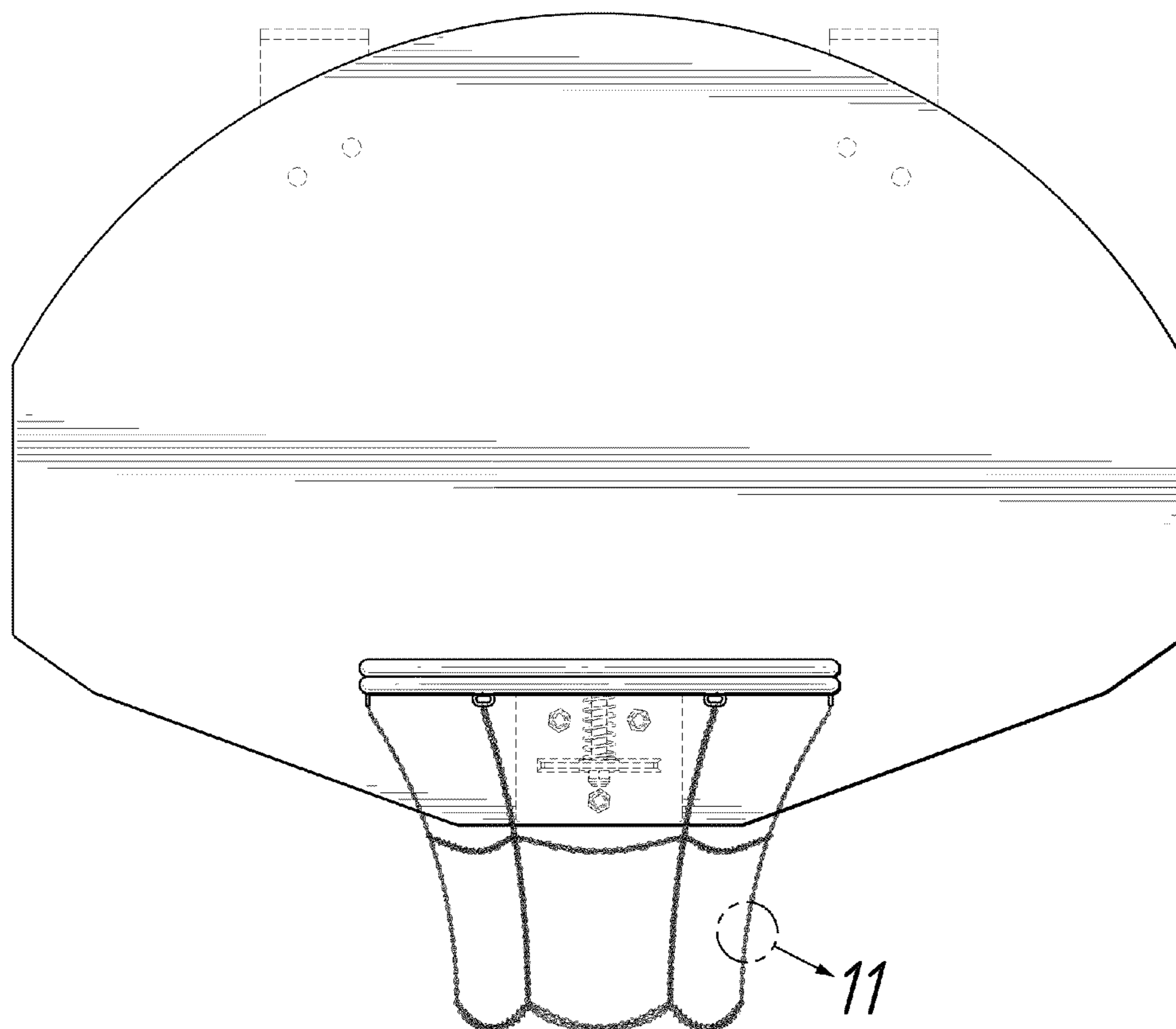


FIG. 10

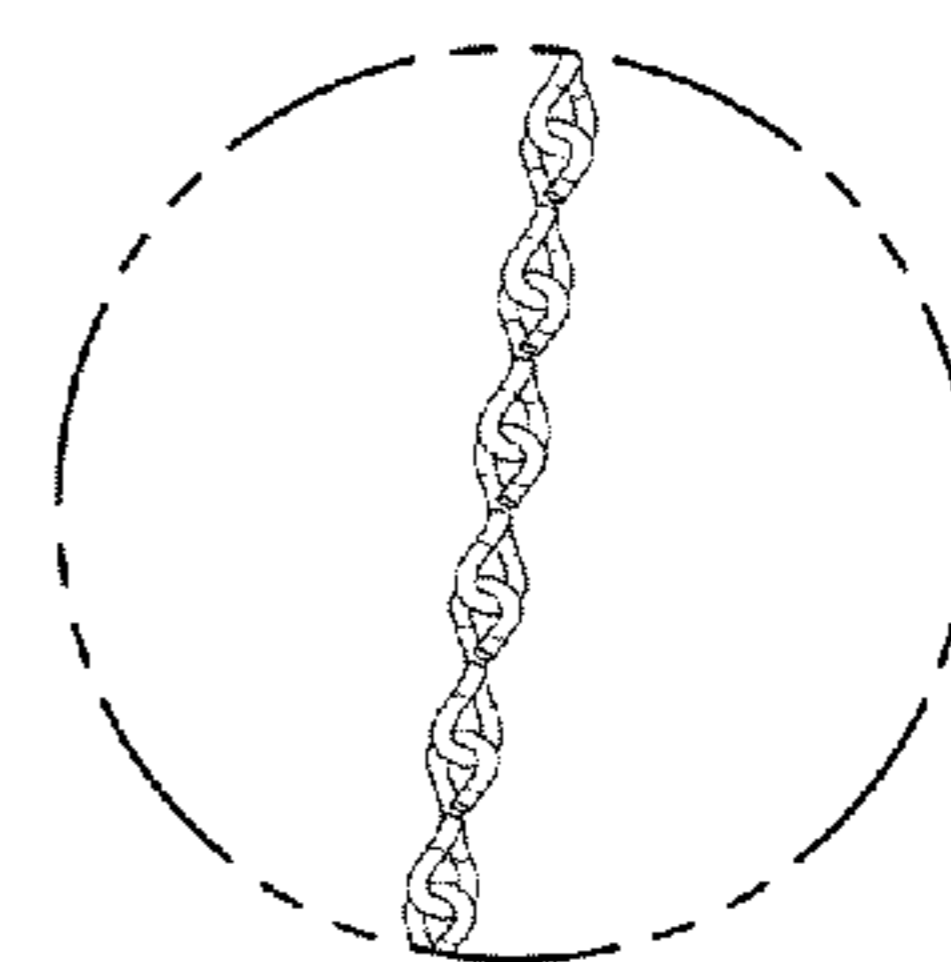


FIG. 11

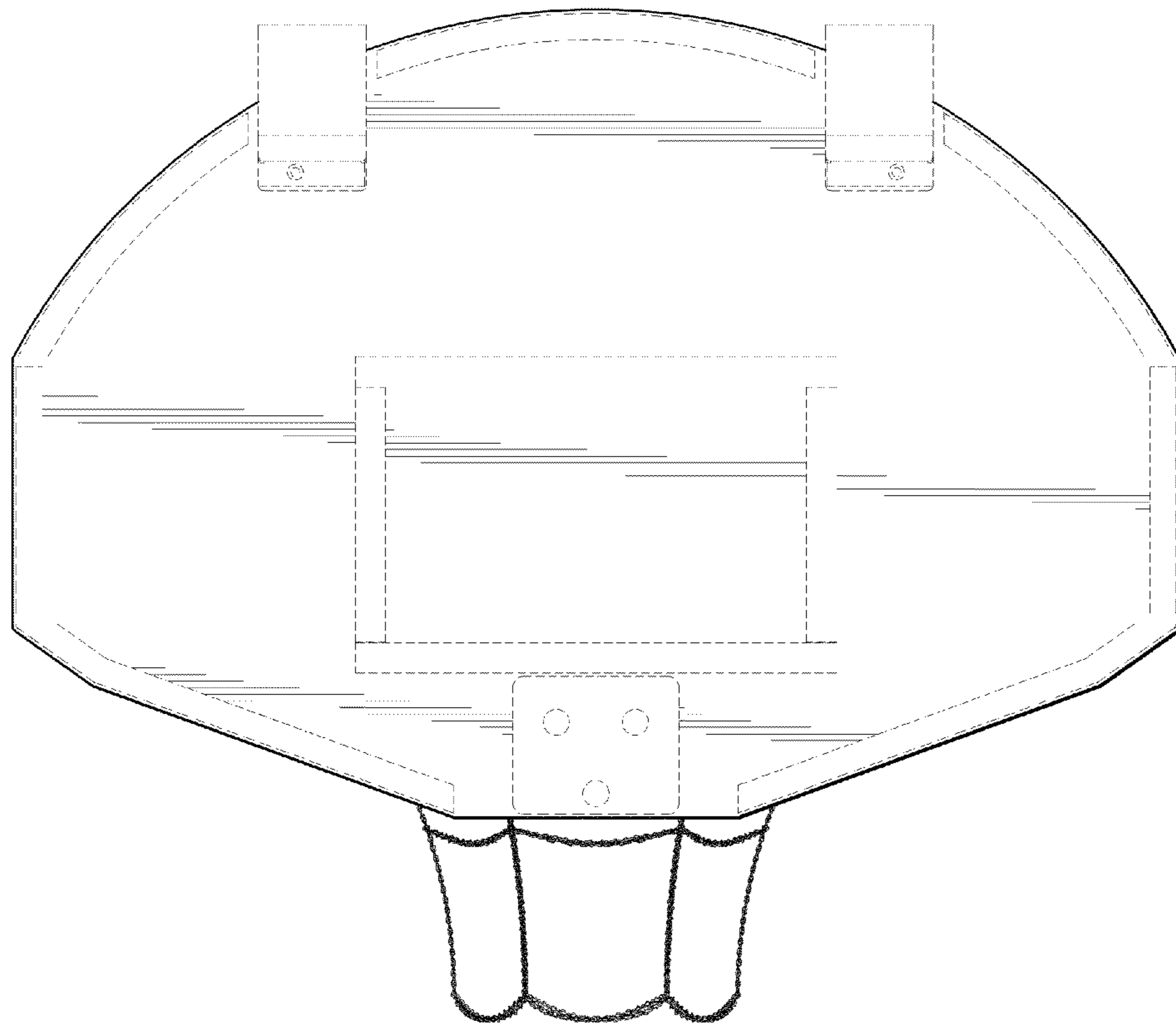


FIG. 12

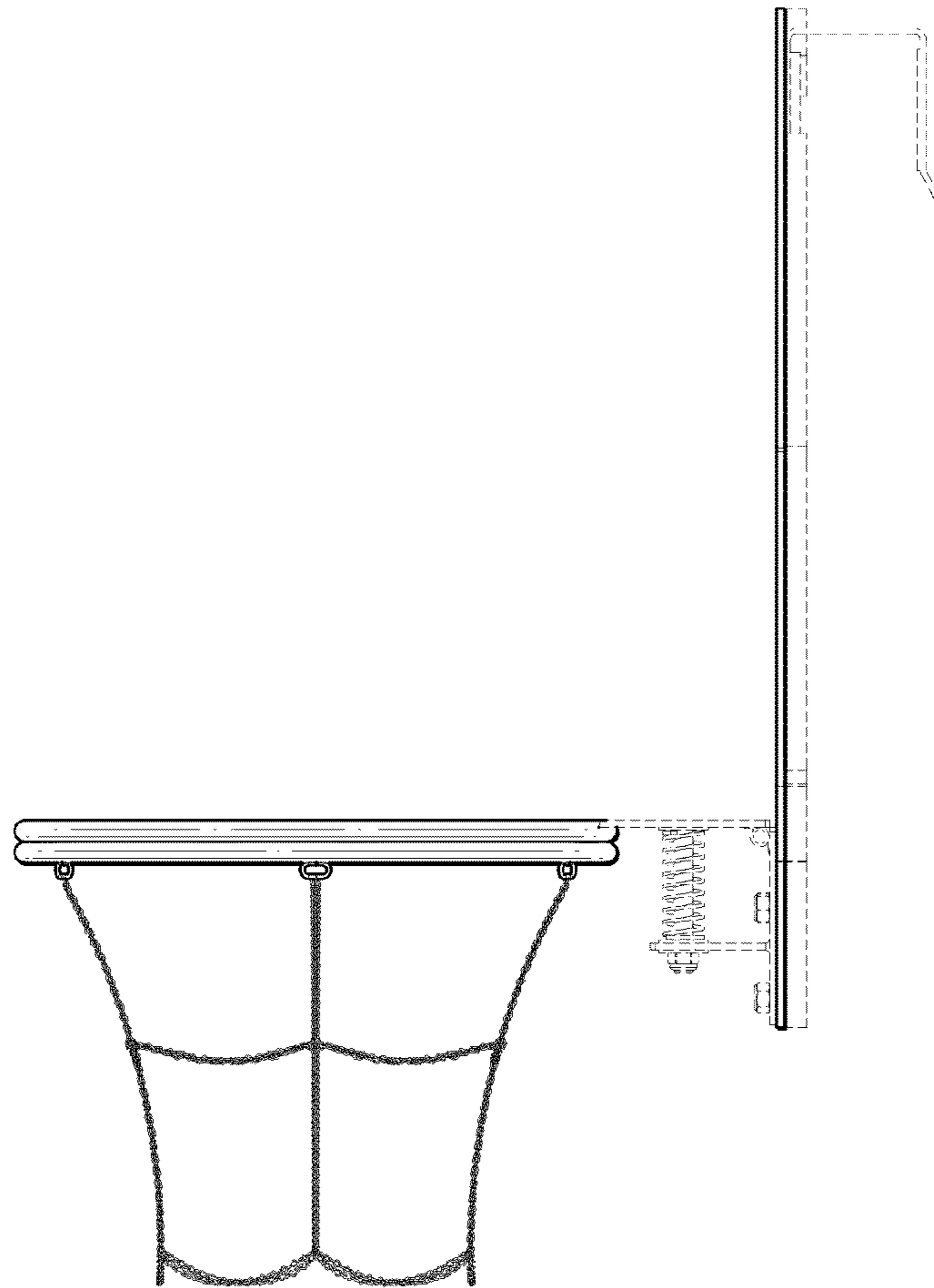


FIG. 13

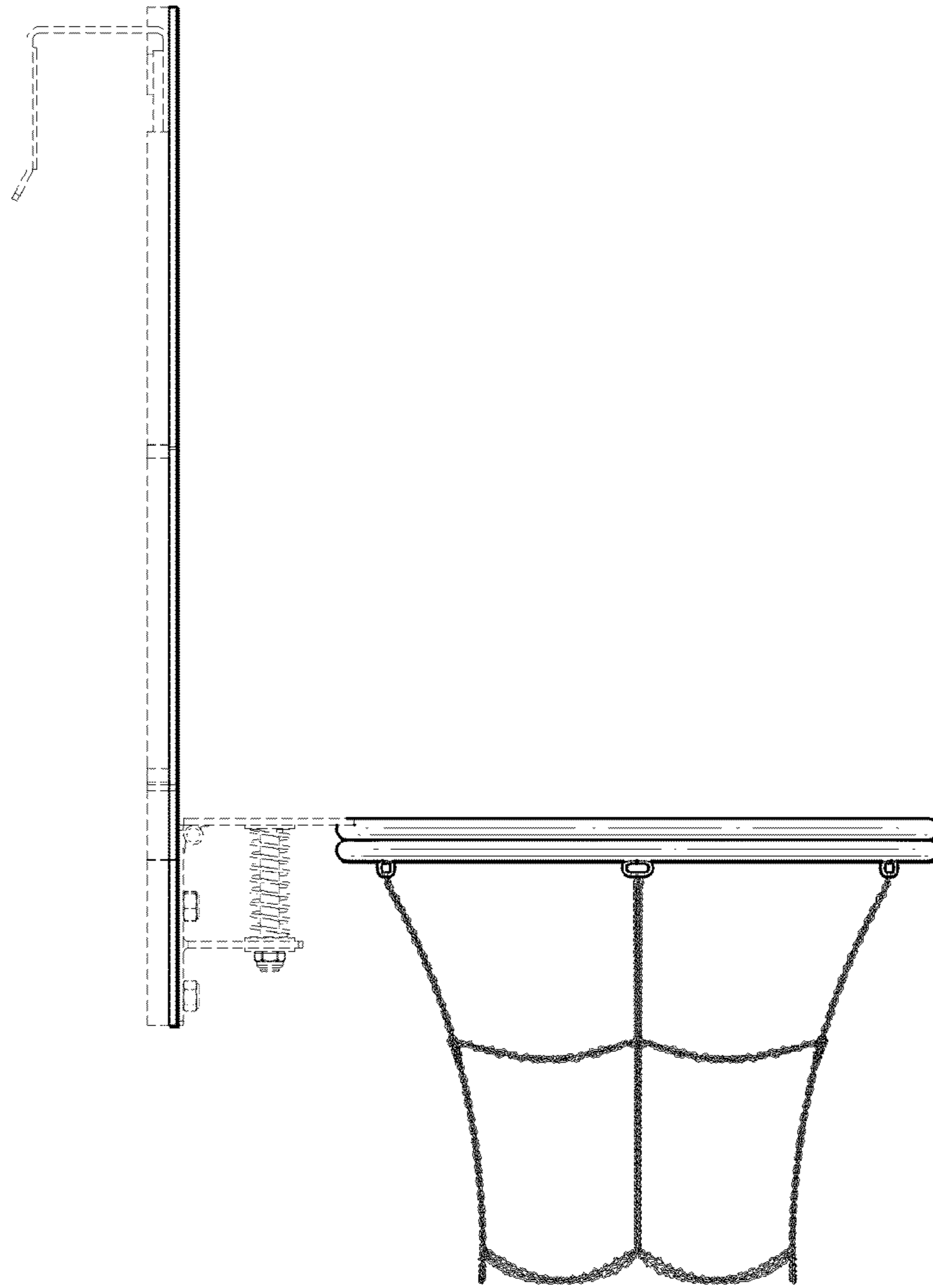


FIG. 14

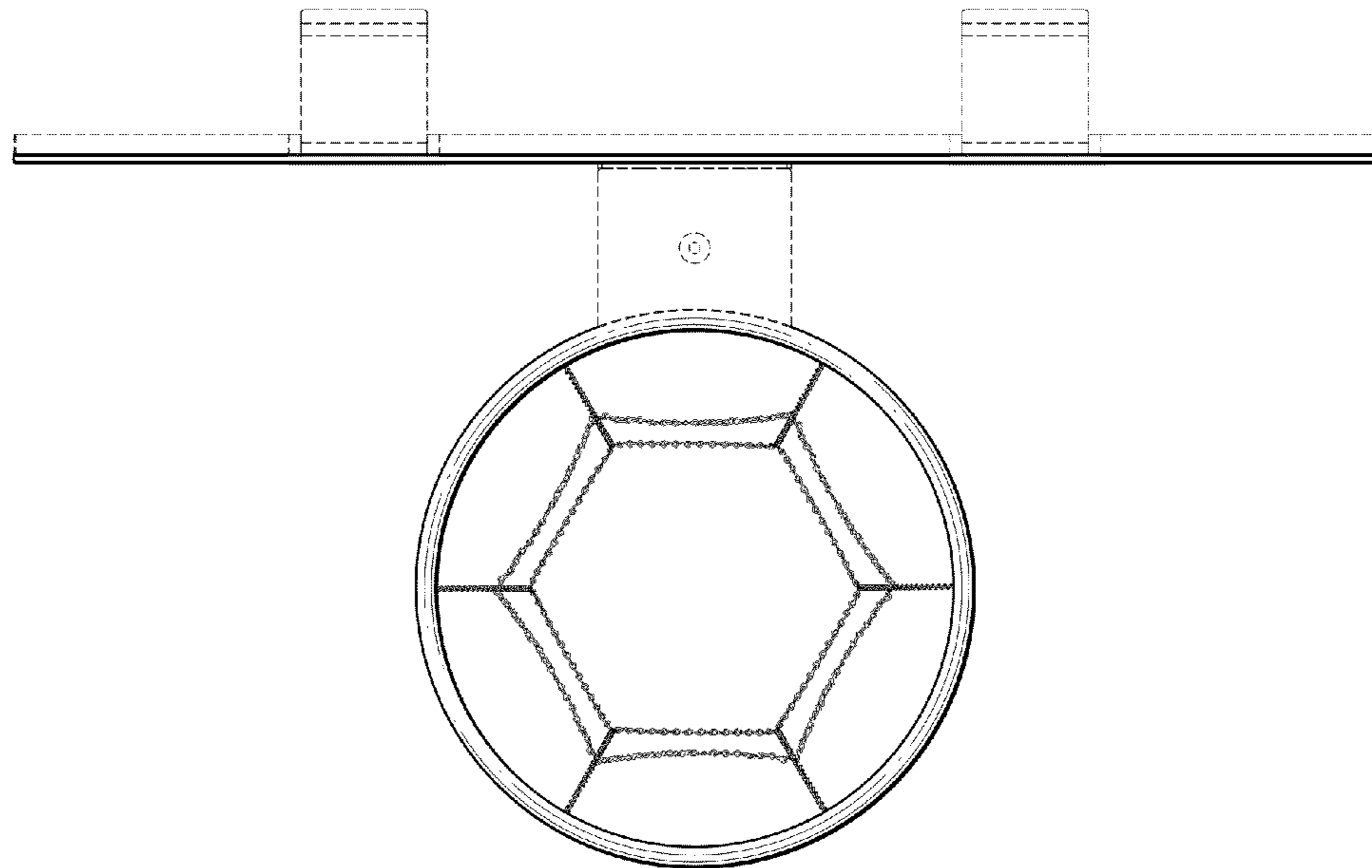


FIG. 15

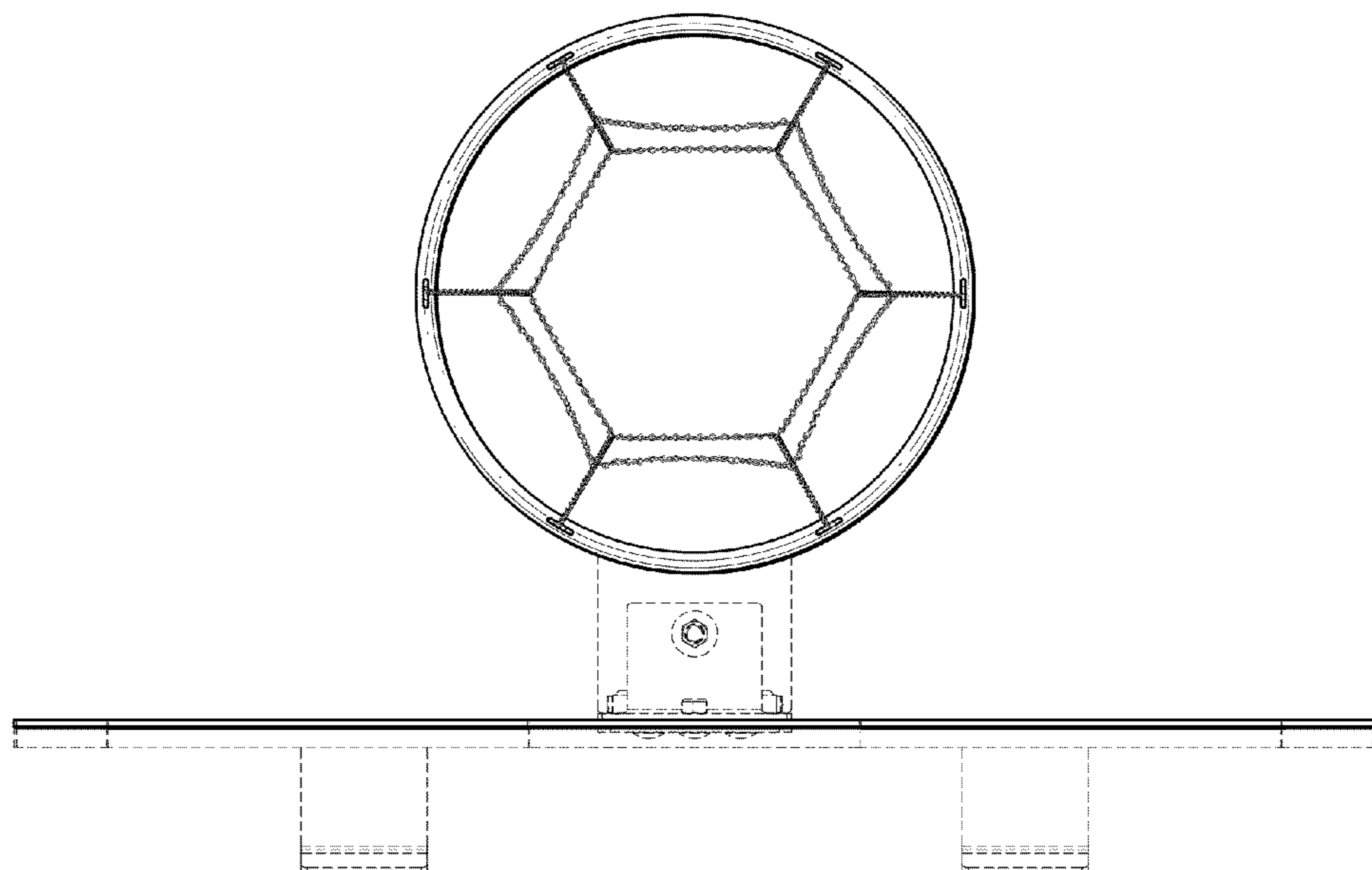


FIG. 16

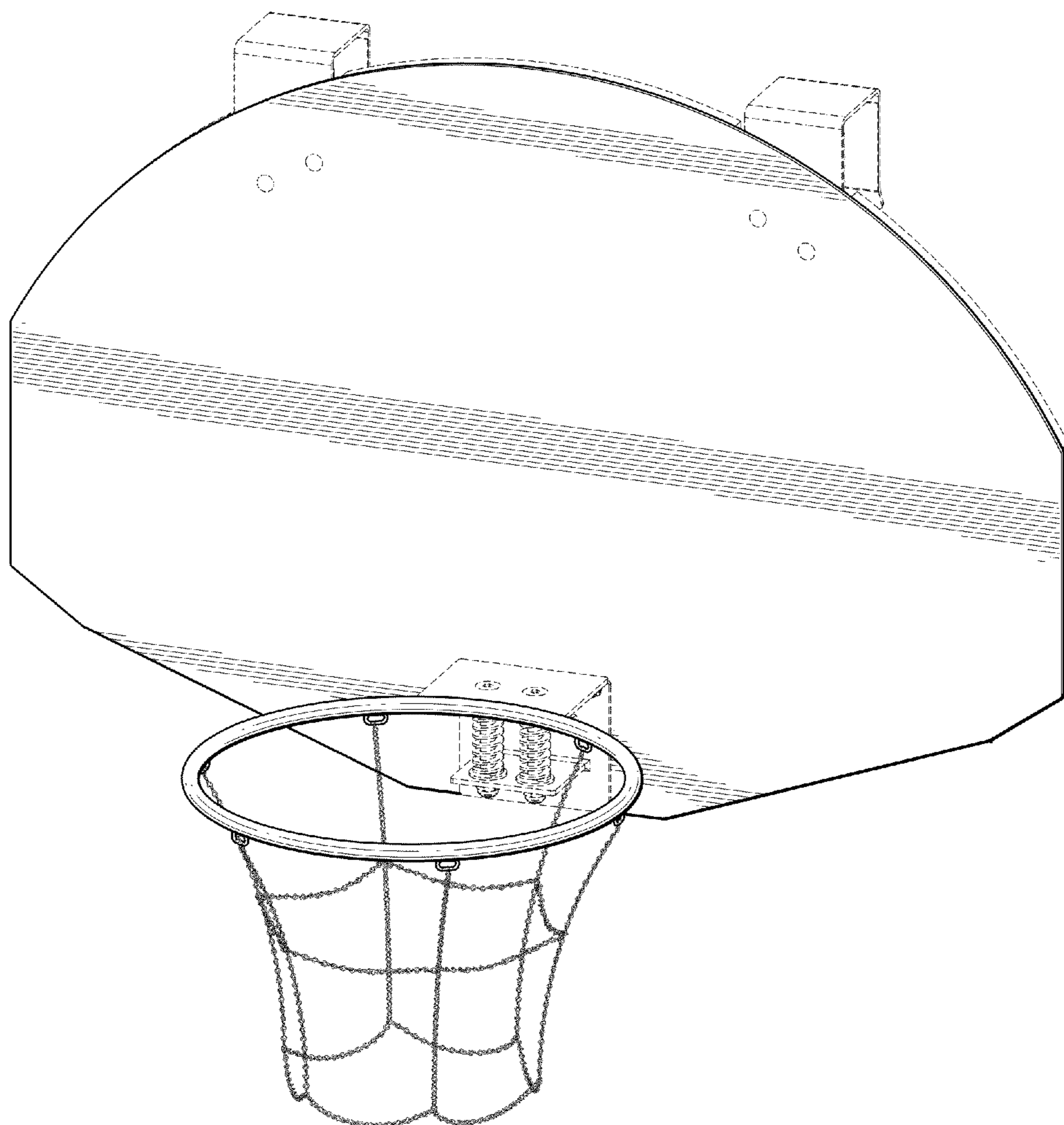


FIG. 17

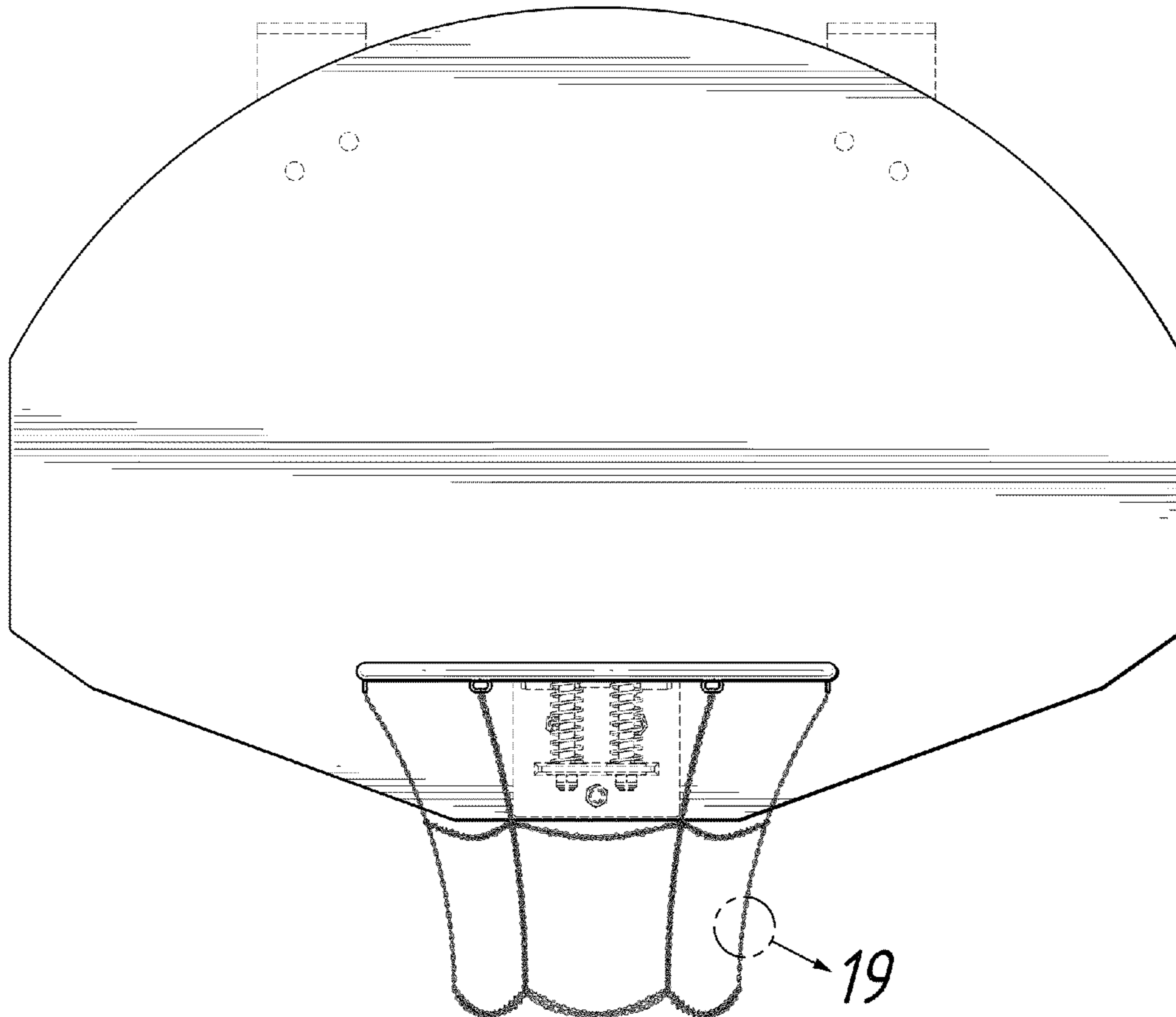


FIG. 18

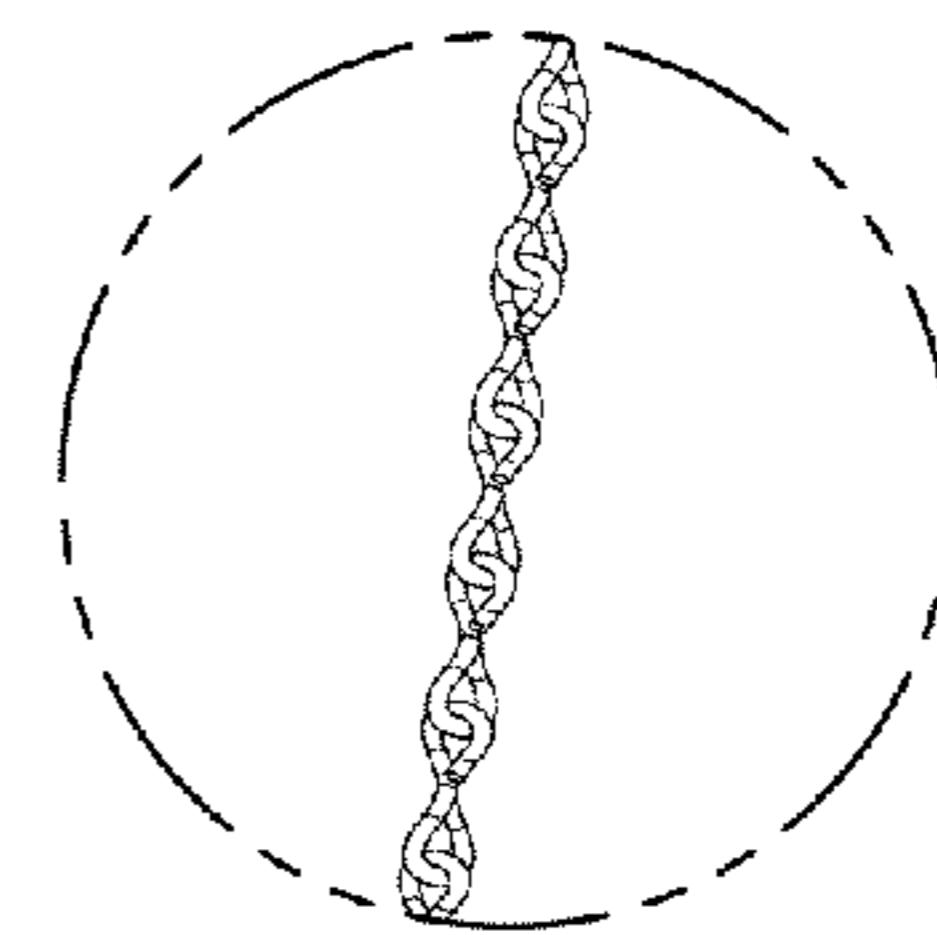


FIG. 19

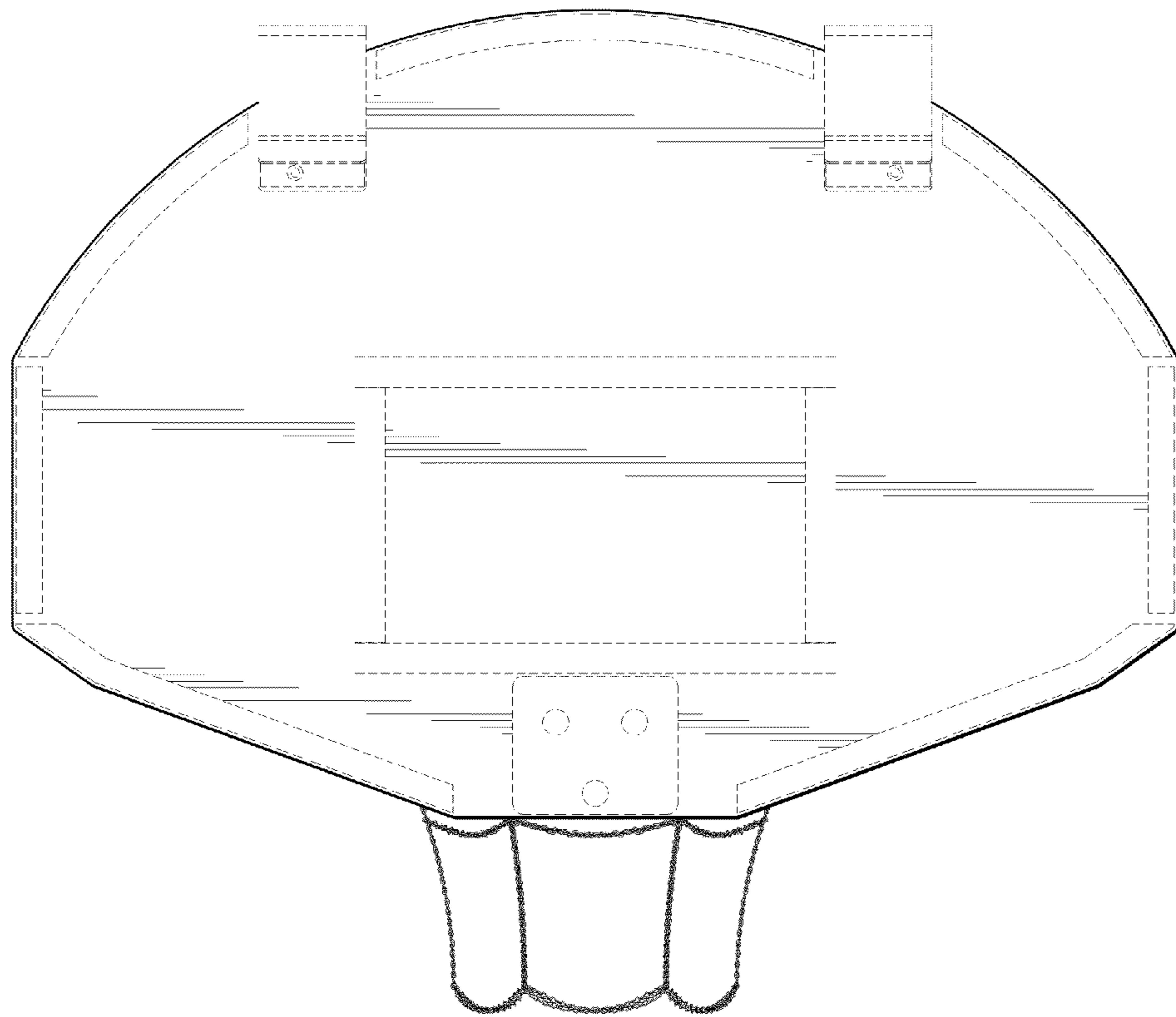


FIG. 20

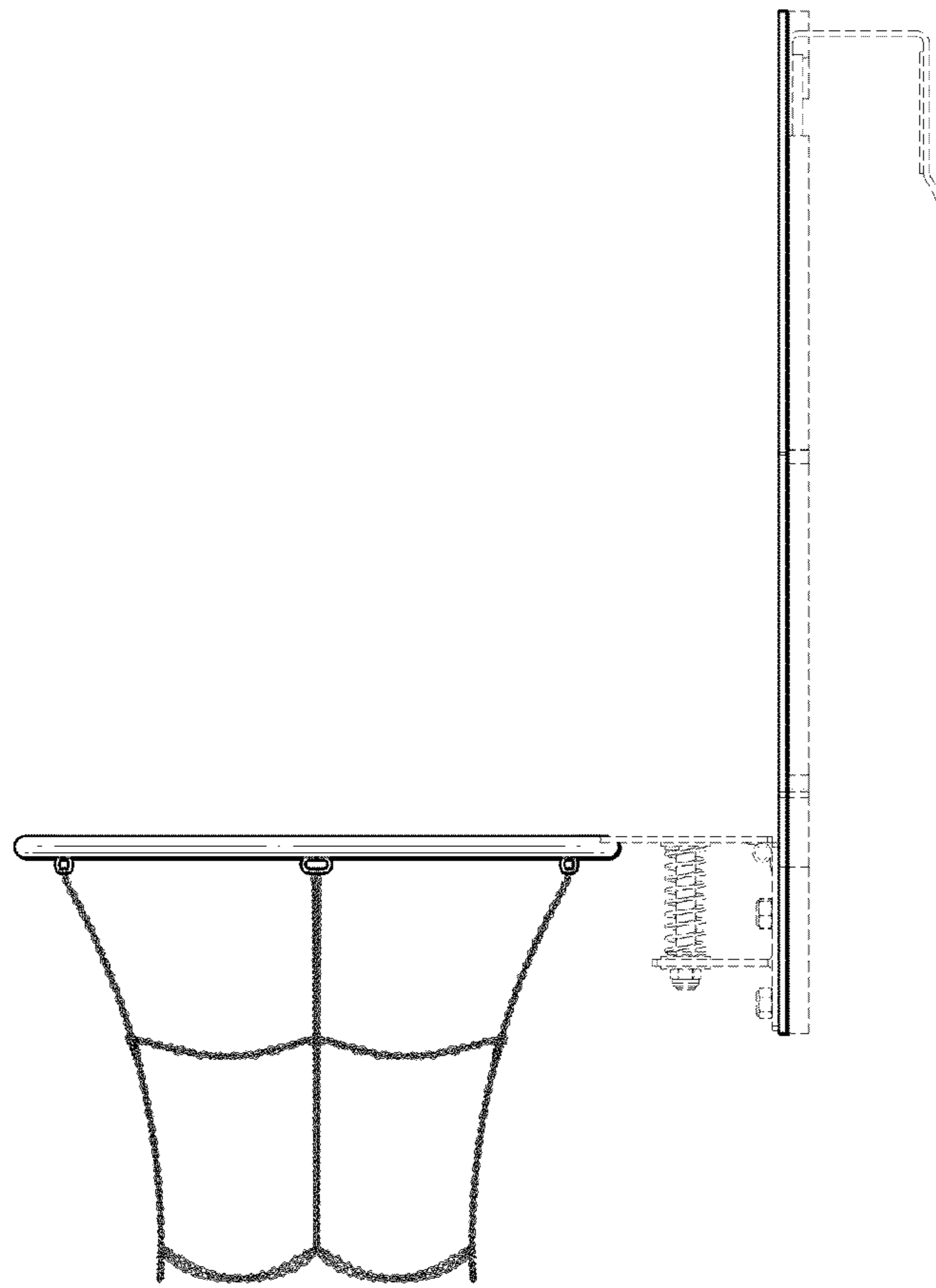


FIG. 21

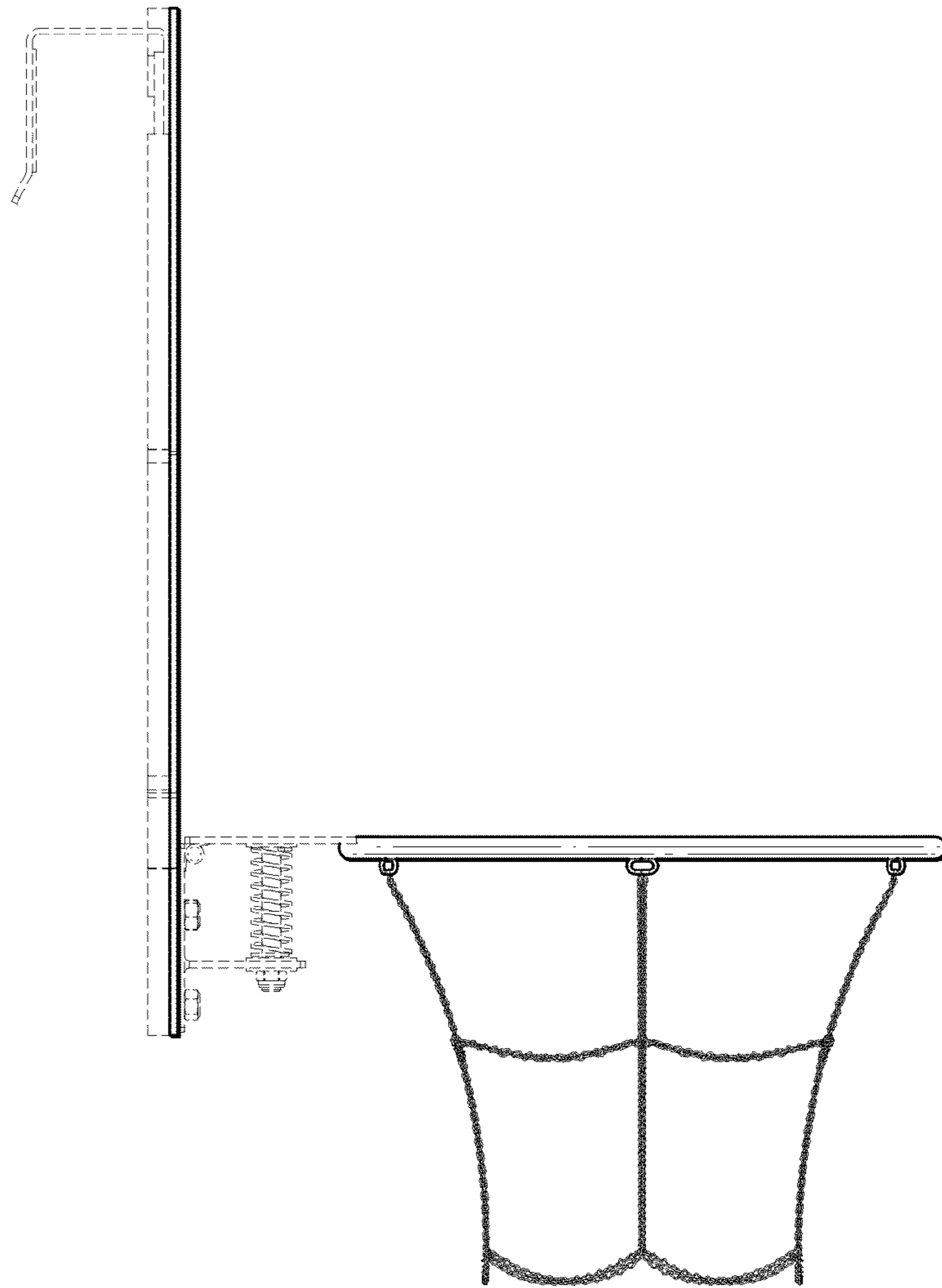


FIG. 22

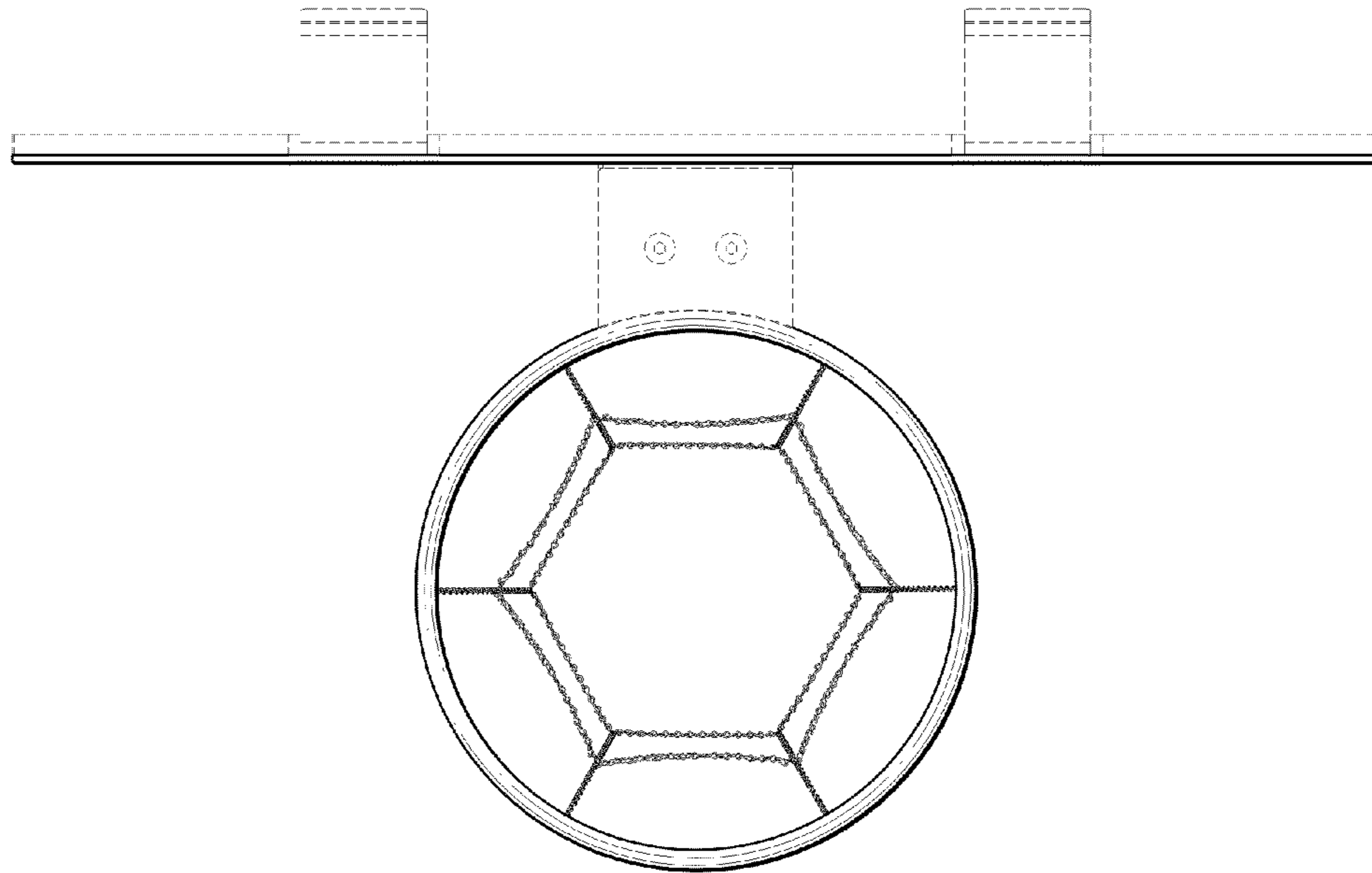


FIG. 23

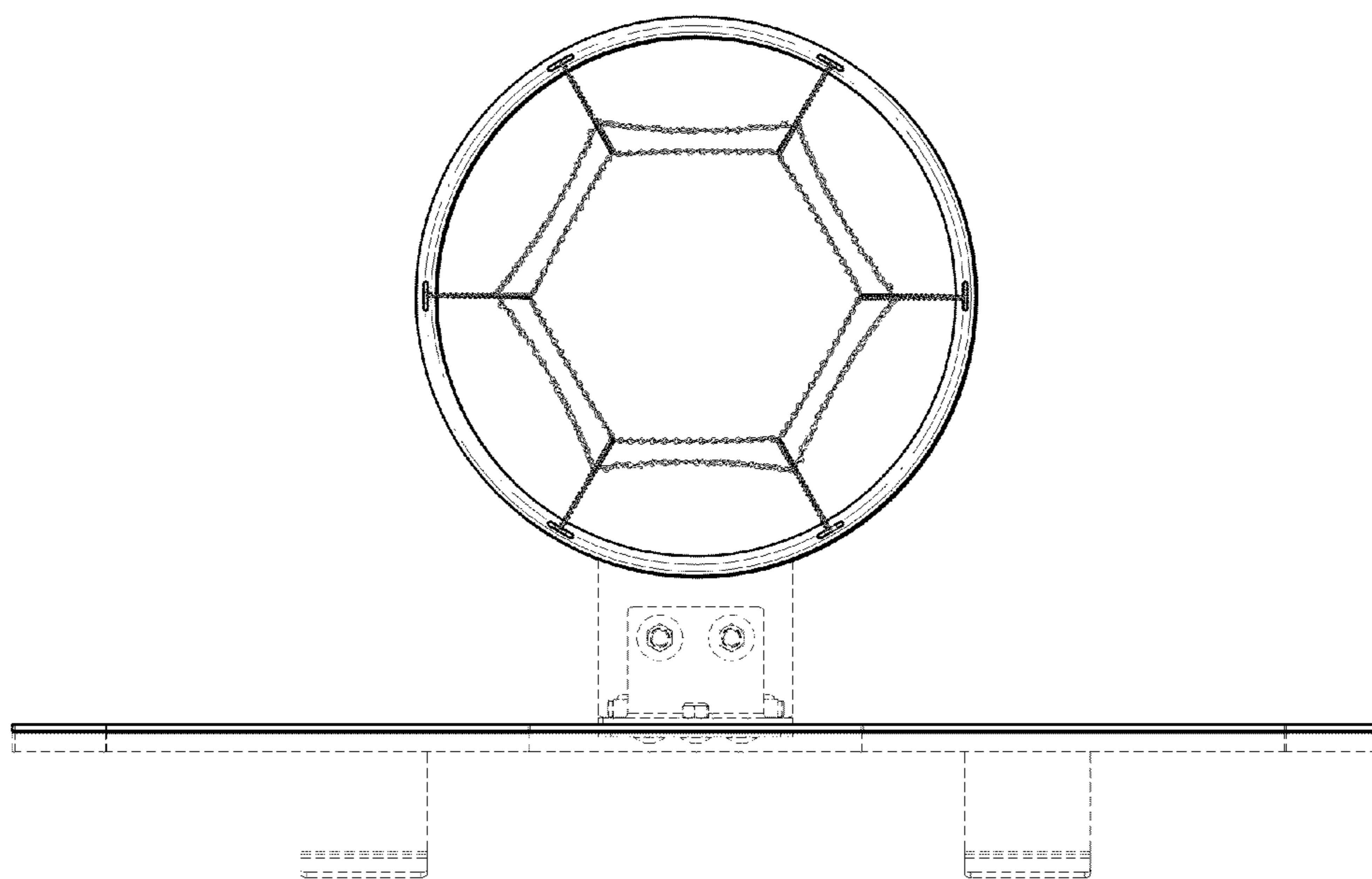


FIG. 24

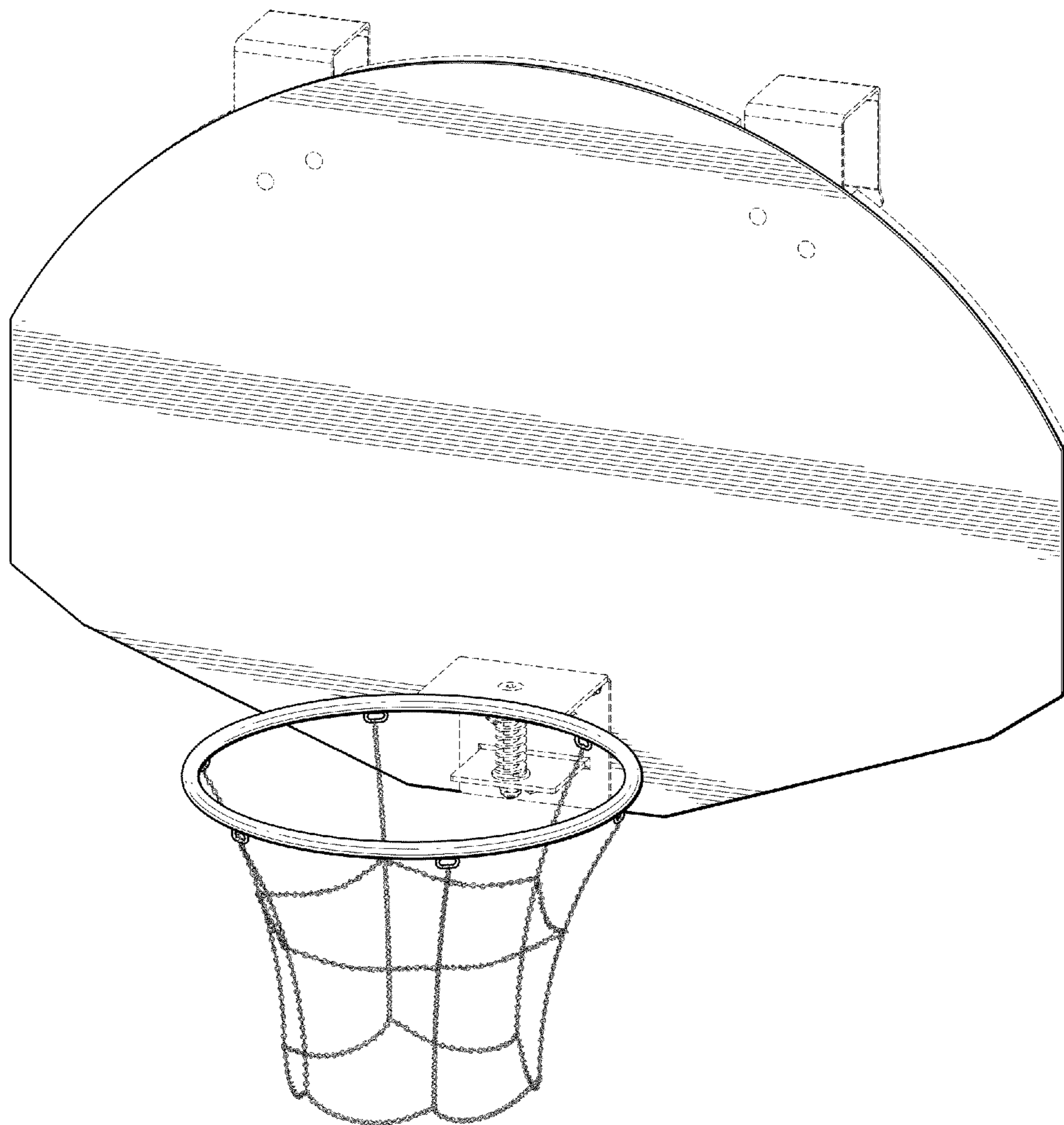


FIG. 25

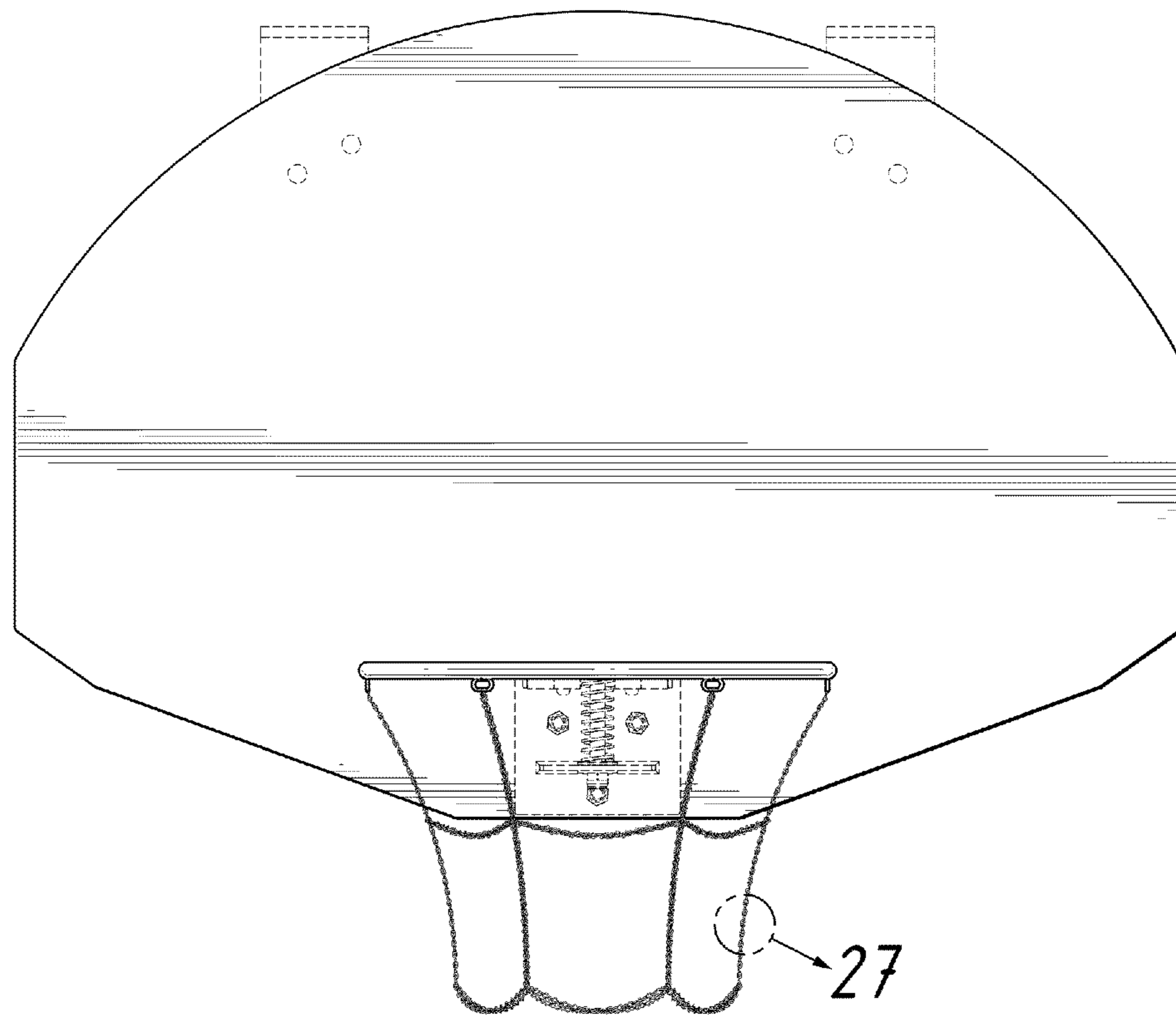


FIG. 26

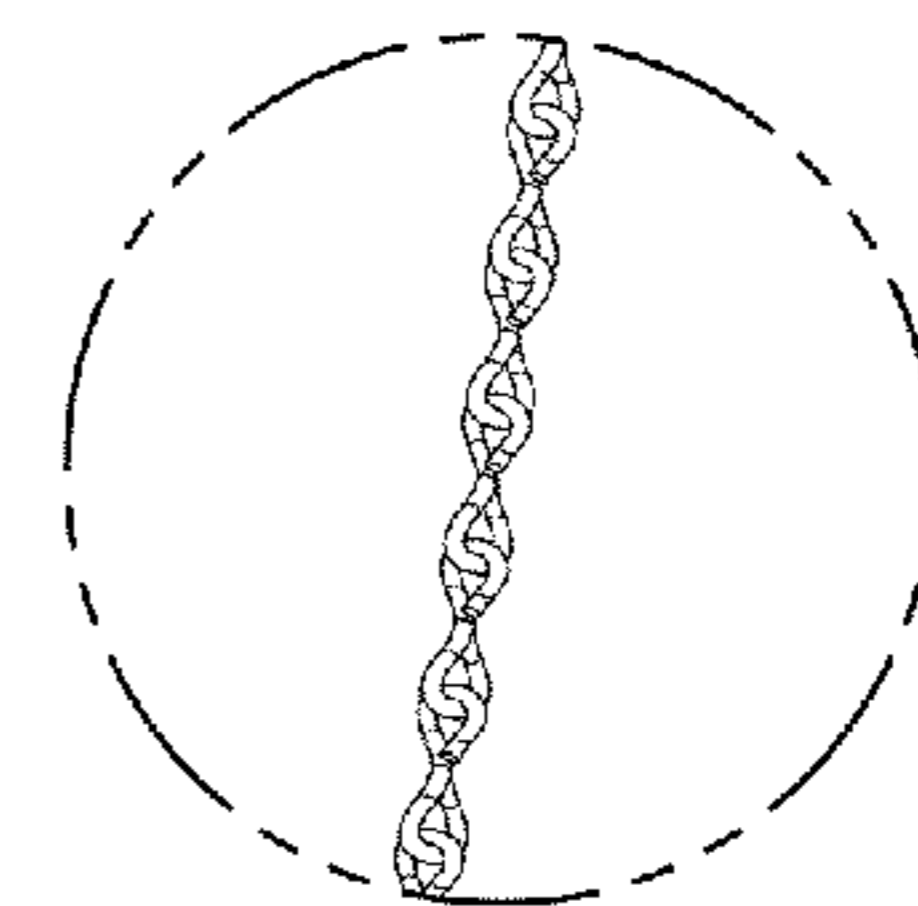


FIG. 27

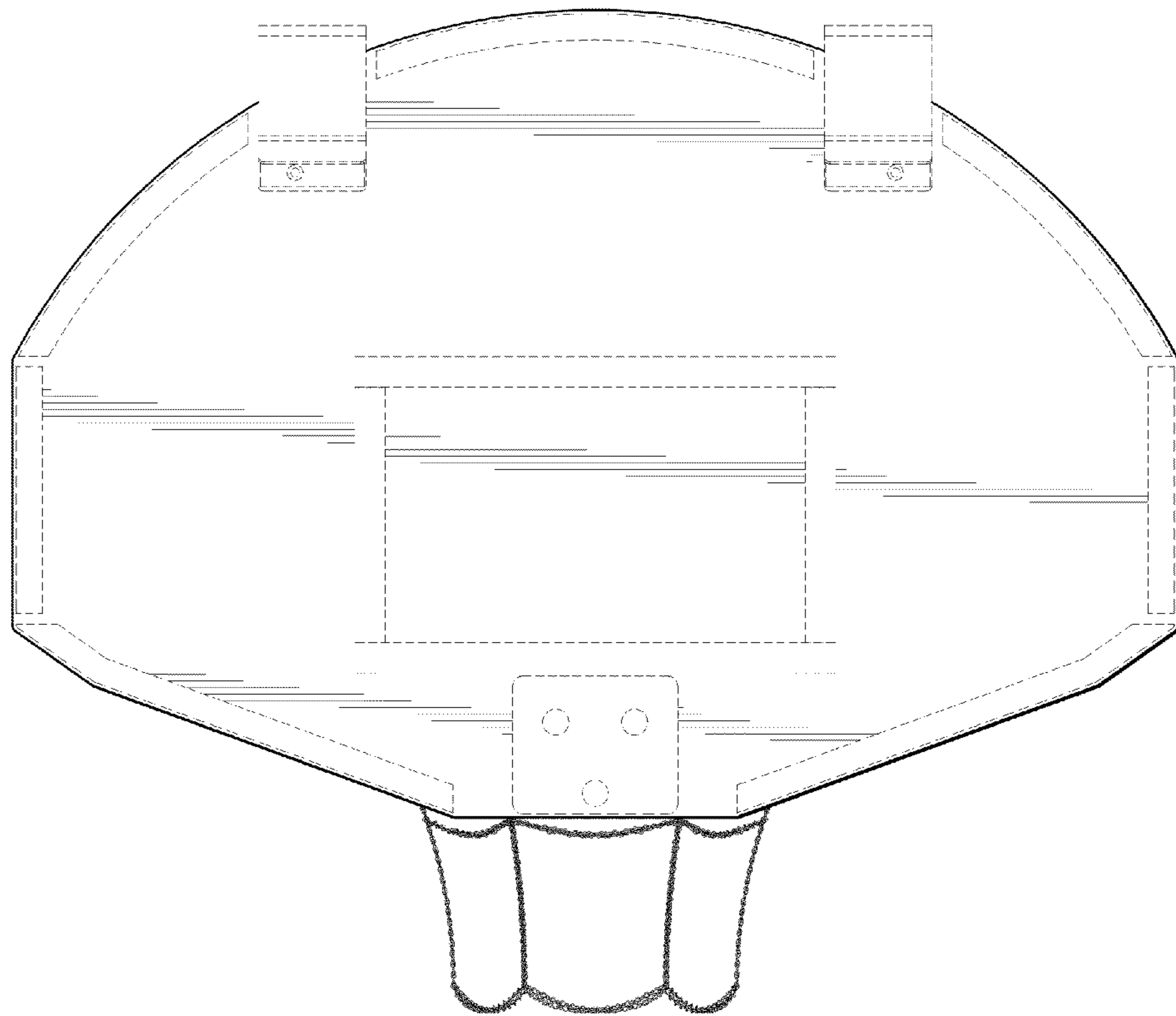


FIG. 28

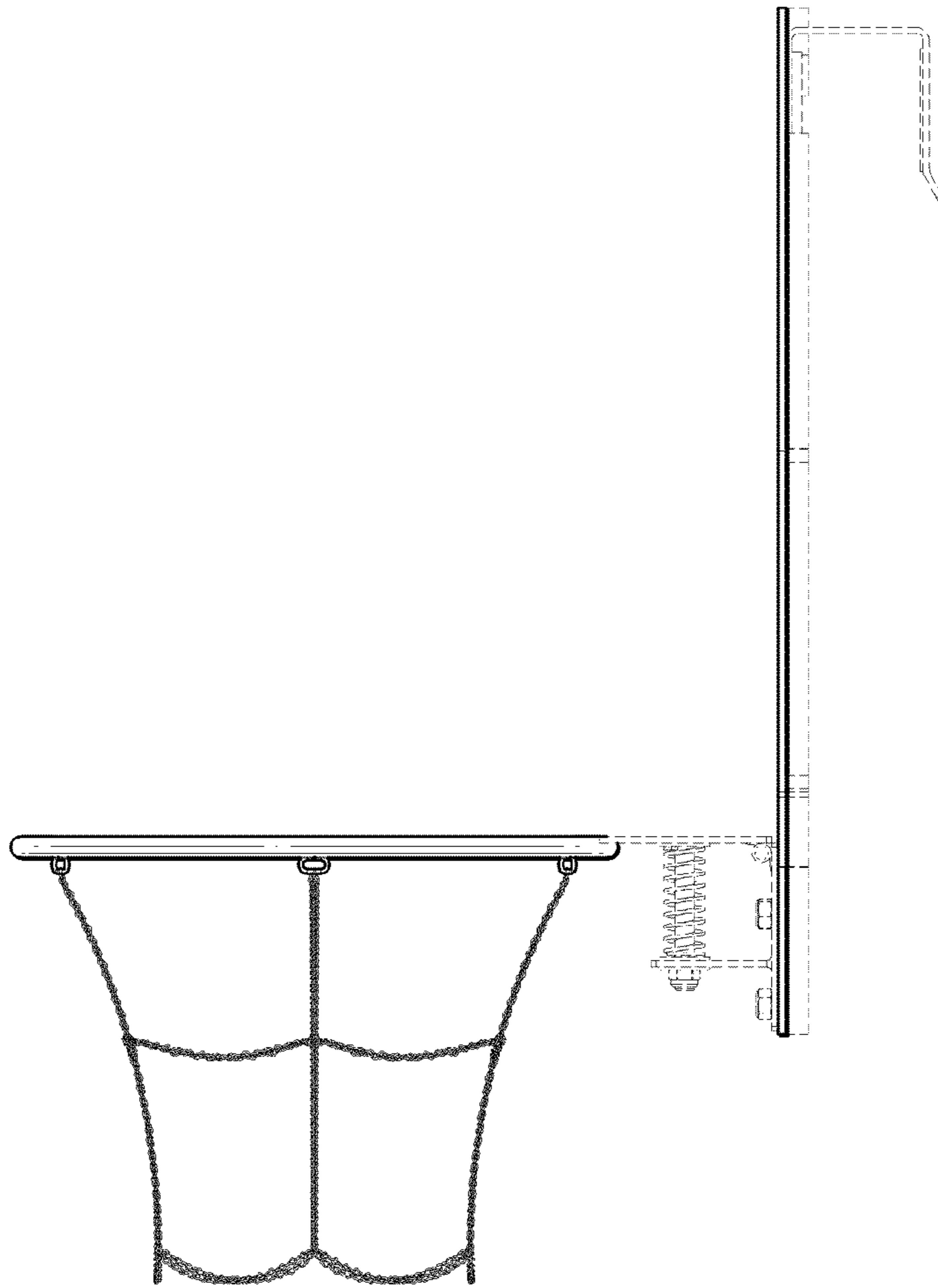


FIG. 29

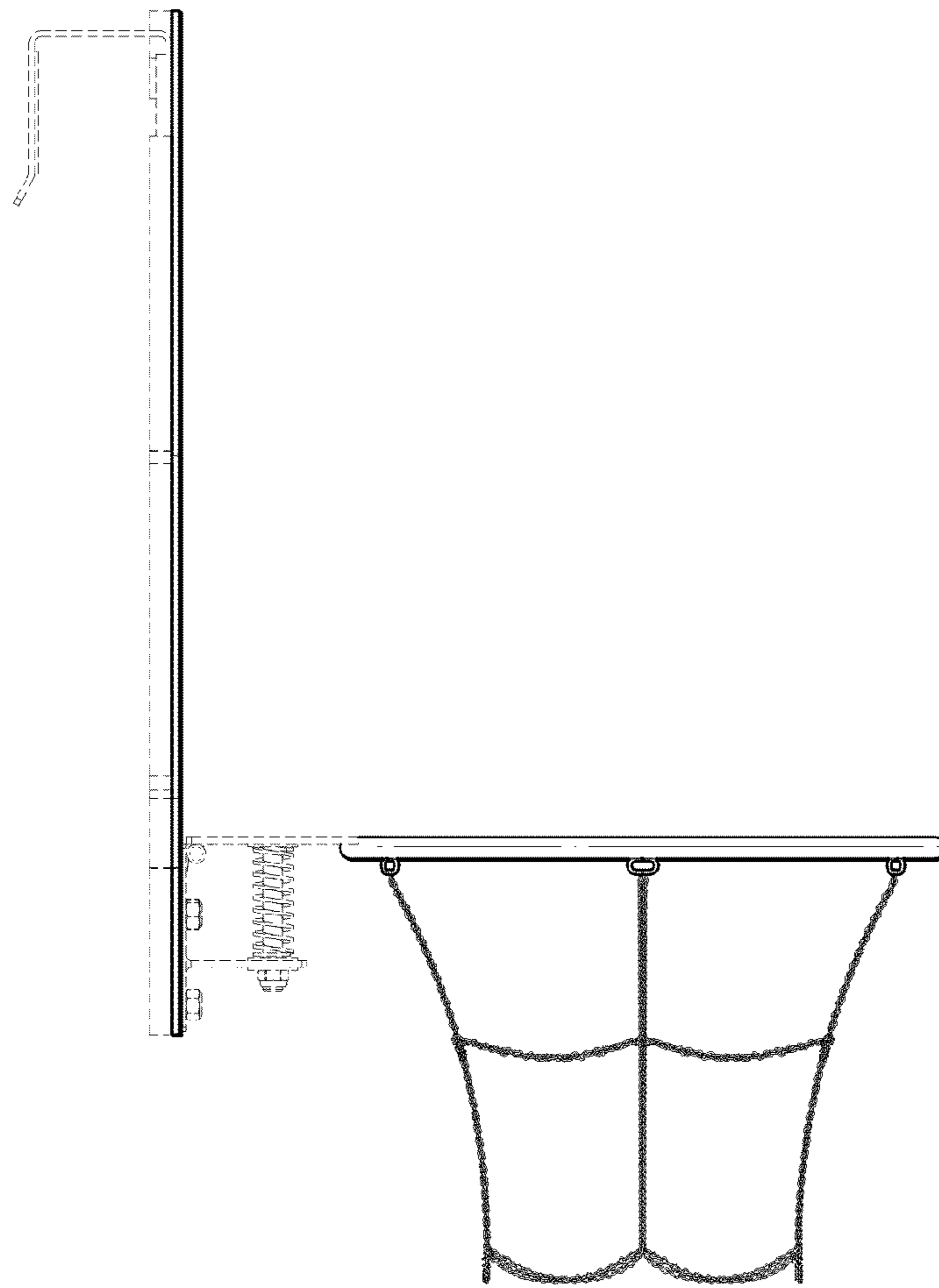


FIG. 30

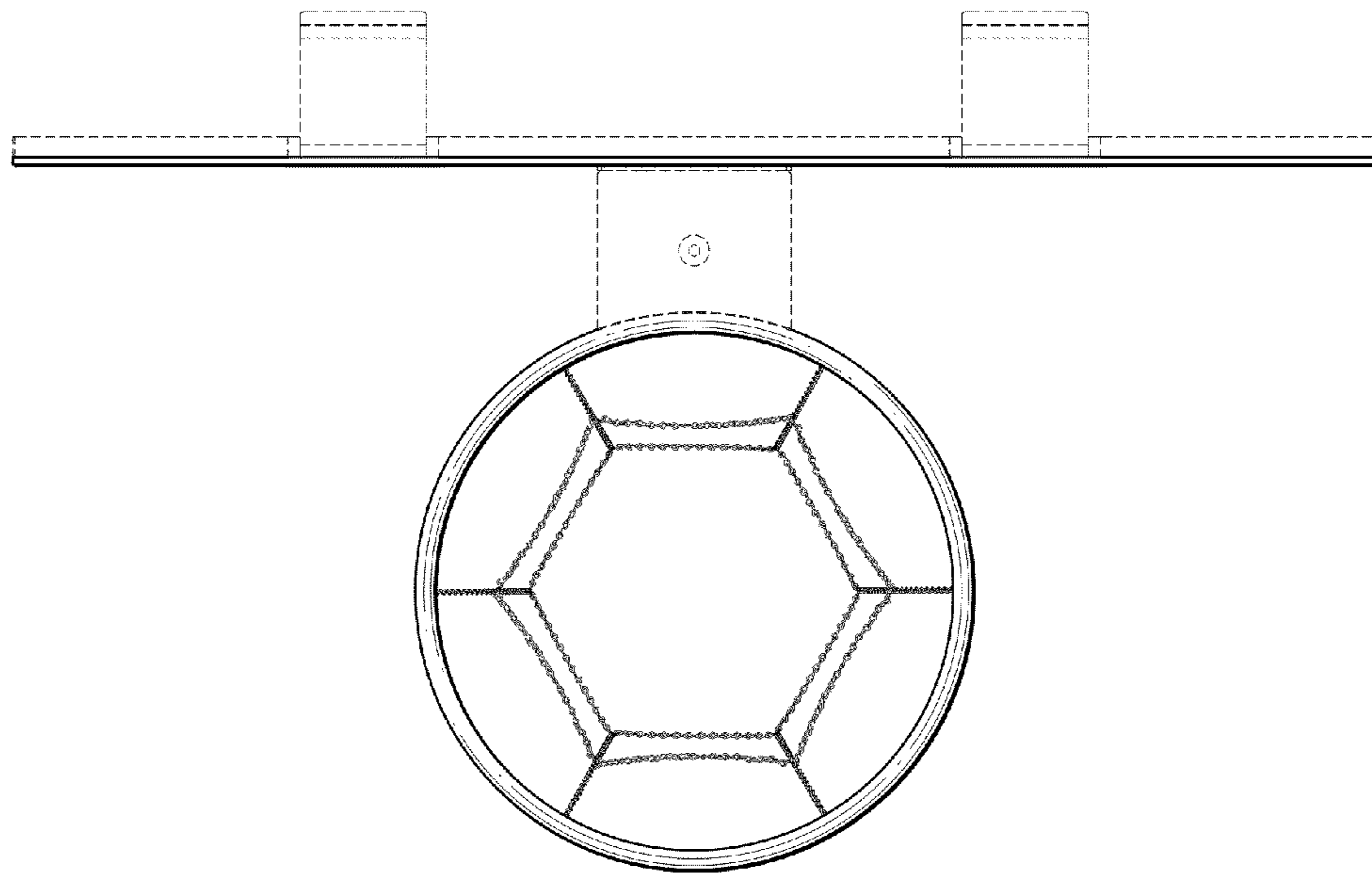


FIG. 31

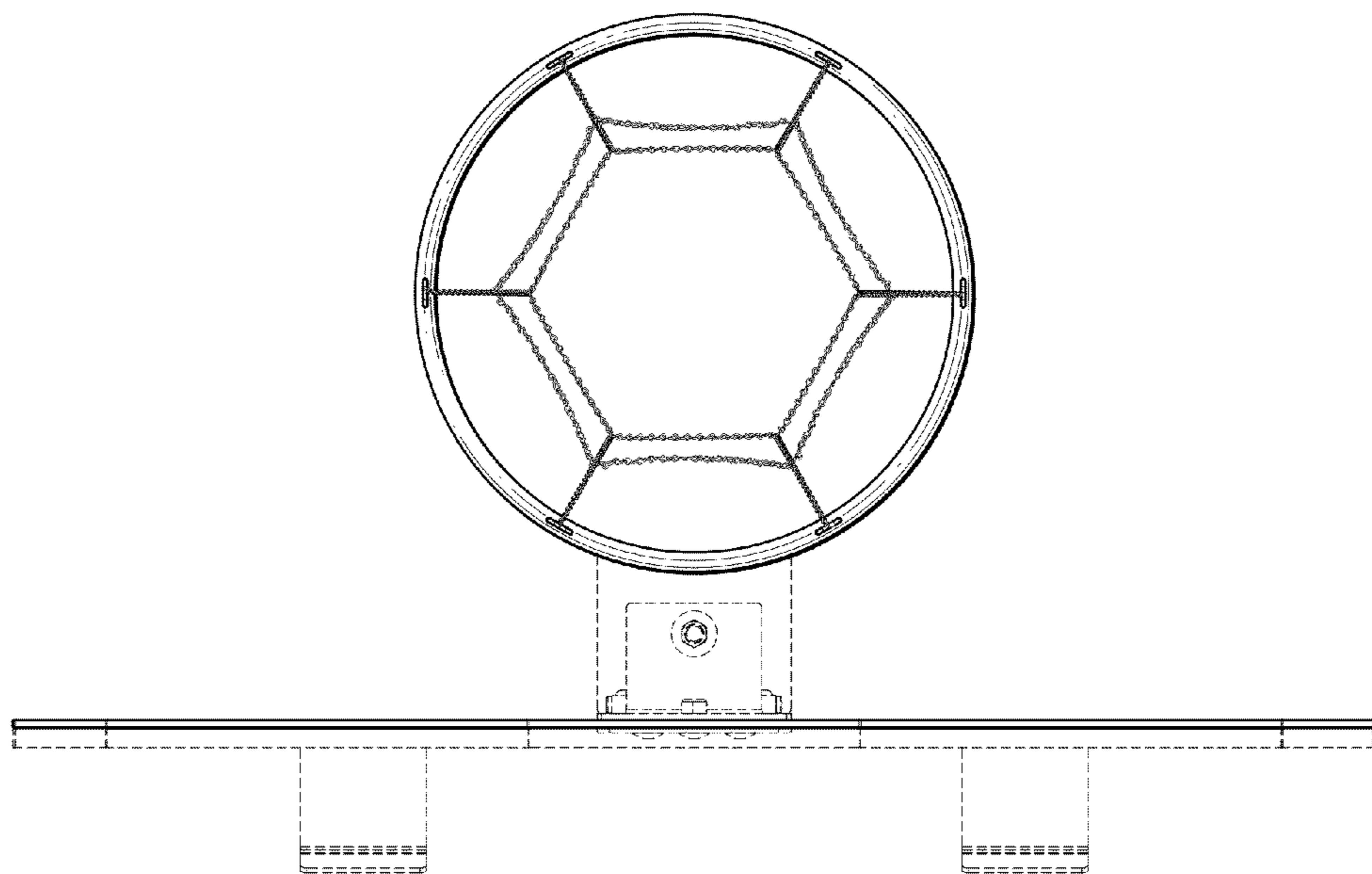


FIG. 32