

US00D696361S

(12) **United States Design Patent**
Rottje

(10) **Patent No.:** **US D696,361 S**

(45) **Date of Patent:** **** *Dec. 24, 2013**

(54) **ELEMENT FOR A CONSTRUCTION SET**

(75) Inventor: **Christoph Rottje**, Flensburg (DE)

(73) Assignee: **Lego A/S**, Billund (DK)

(*) Notice: This patent is subject to a terminal disclaimer.

(**) Term: **14 Years**

(21) Appl. No.: **29/397,610**

(22) Filed: **Jul. 19, 2011**

(30) **Foreign Application Priority Data**

Jan. 25, 2011 (EM) 584173601

(51) **LOC (9) Cl.** **21-01**

(52) **U.S. Cl.**
USPC **D21/486**

(58) **Field of Classification Search**

USPC D21/484, 485, 486, 489, 491, 494, 495,
D21/499, 500-504; 446/69, 85, 102-128;
434/208, 259, 274, 403; 273/153, 156,
273/160; 428/174; 403/56

See application file for complete search history.

(56) **References Cited**

U.S. PATENT DOCUMENTS

2,752,726 A * 7/1956 Calverley 446/99
3,648,404 A * 3/1972 Ogsbury et al. 446/126
3,694,954 A * 10/1972 Brumlik 446/102

D231,546 S * 4/1974 Christiansen D21/658
3,808,737 A * 5/1974 Abrams 446/102
D306,190 S * 2/1990 Poulsen D21/498
5,044,960 A * 9/1991 De Porteous 446/104
D352,746 S * 11/1994 Hatting D21/502
5,383,738 A * 1/1995 Herbermann 403/56
5,769,681 A * 6/1998 Greenwood et al. 446/120
5,913,706 A * 6/1999 Glickman et al. 446/97
5,921,694 A * 7/1999 Herbermann 403/56
D423,061 S * 4/2000 Raundahl D21/486
6,264,522 B1 * 7/2001 Dickson 446/120
6,672,931 B1 * 1/2004 Bagley 446/106
7,371,147 B2 * 5/2008 Tusacciu 446/85
D575,833 S * 8/2008 Fink et al. D21/563
D616,506 S * 5/2010 Kossmann D21/501
D622,329 S * 8/2010 Davies D21/498

* cited by examiner

Primary Examiner — Cynthia M Chin

(74) *Attorney, Agent, or Firm* — Day Pitney LLP

(57) **CLAIM**

The ornamental design for an element for a construction set, as shown and described.

DESCRIPTION

FIG. 1 is a front perspective view of my ornamental design for an element for a construction set;

FIG. 2 is a rear perspective view thereof;

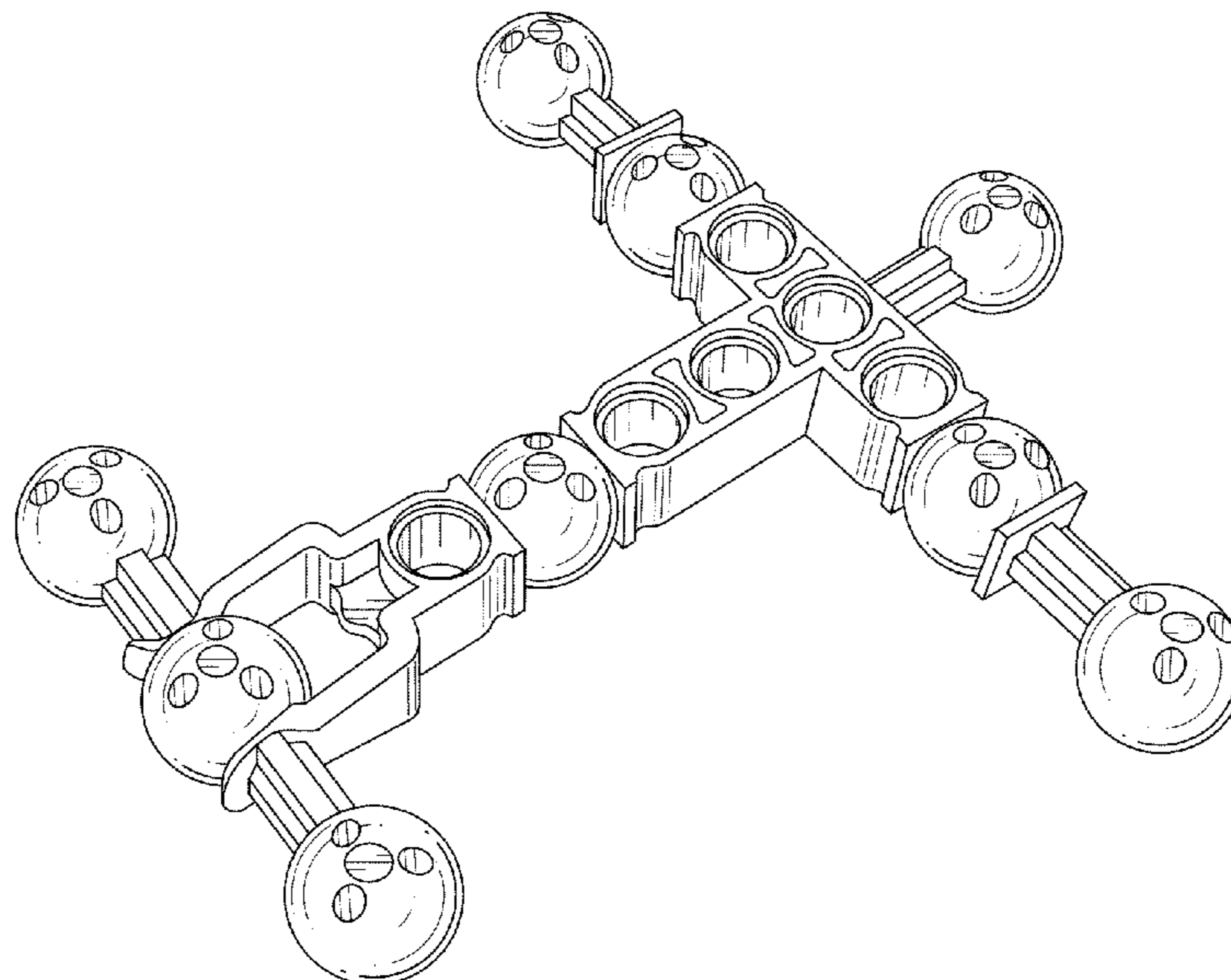
FIG. 3 is a front view thereof;

FIG. 4 is a right side view thereof, the left side view is the same;

FIG. 5 is a top view thereof; and,

FIG. 6 is a bottom view thereof.

1 Claim, 6 Drawing Sheets



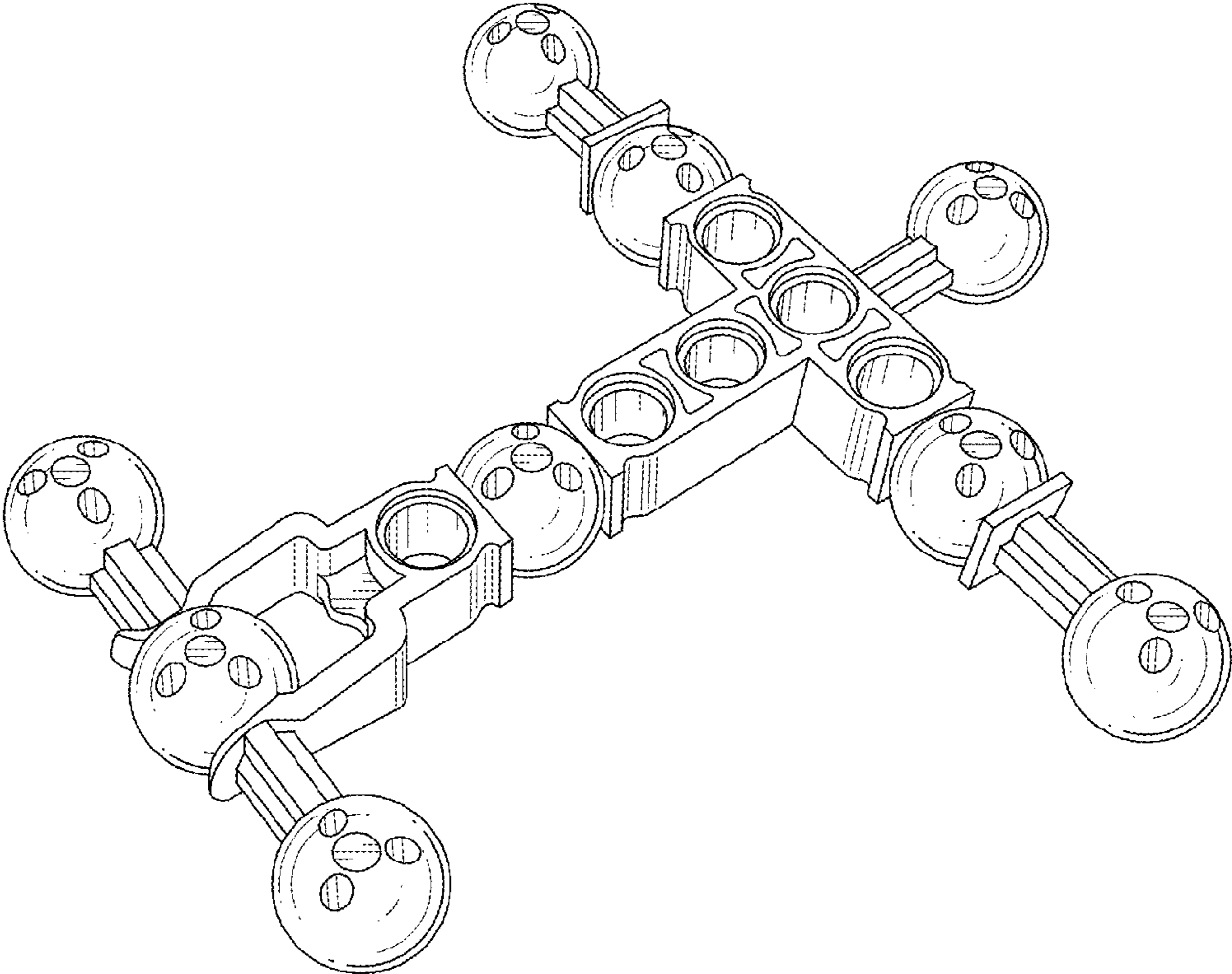


FIG. 1

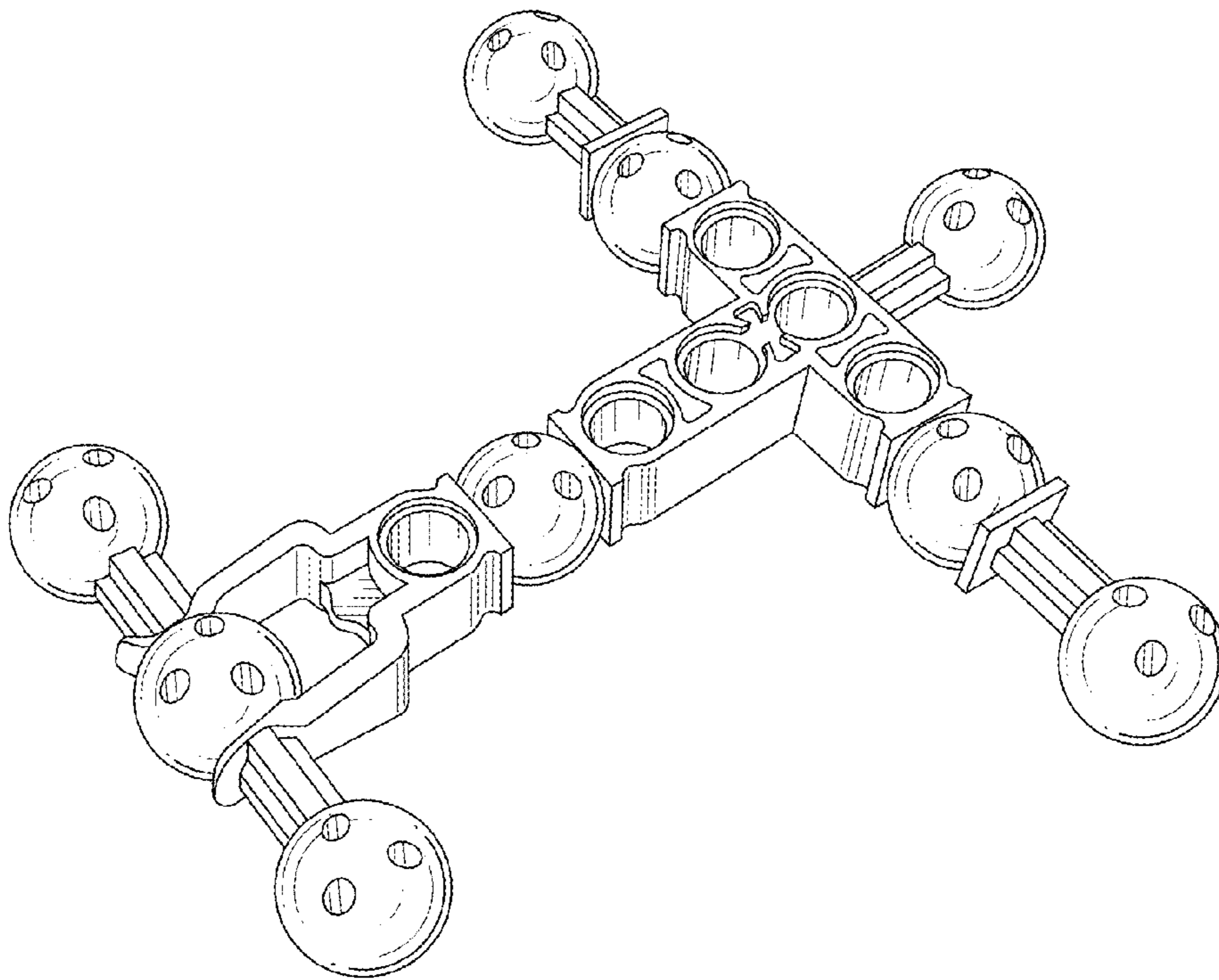


FIG. 2

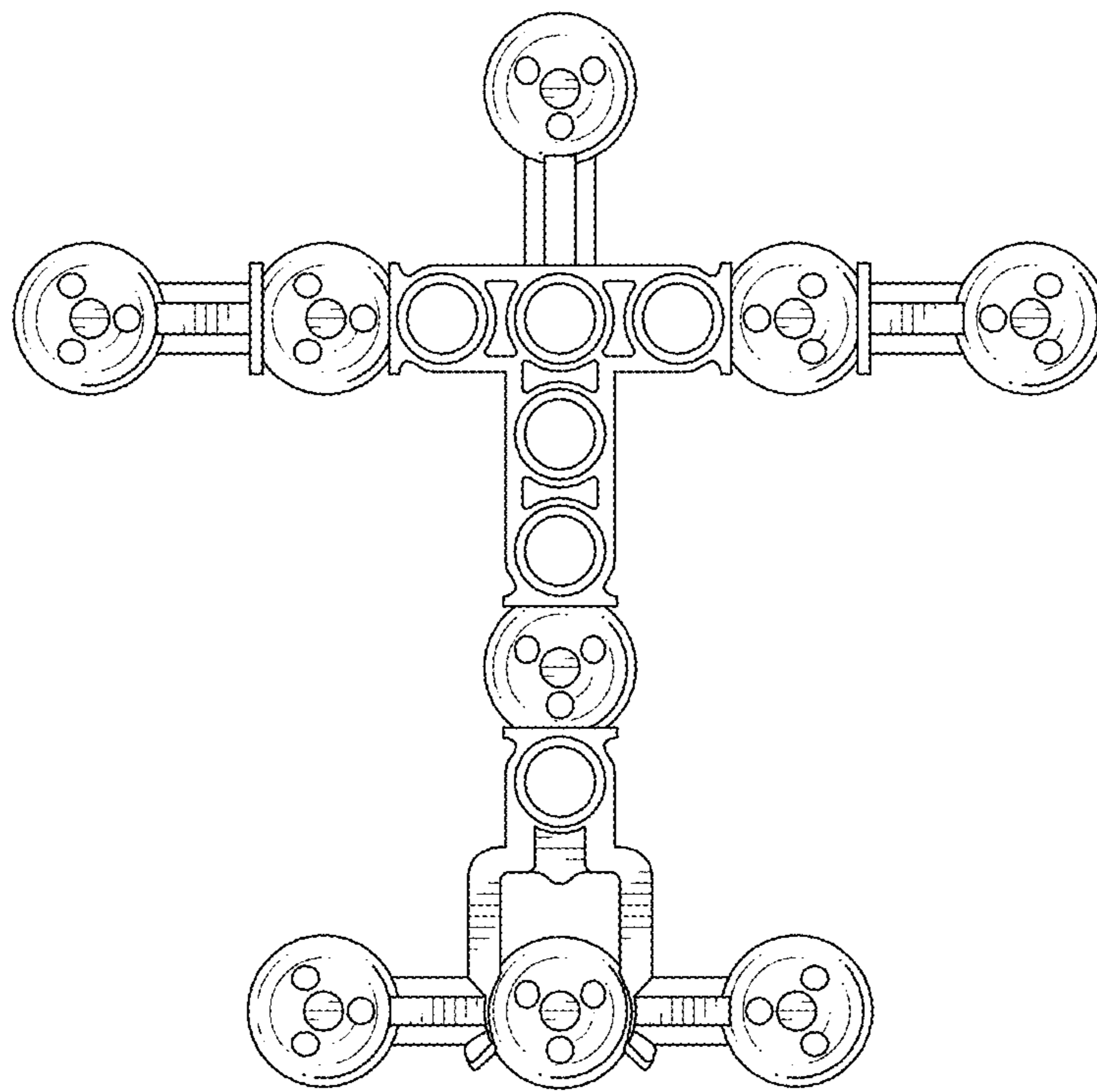


FIG. 3

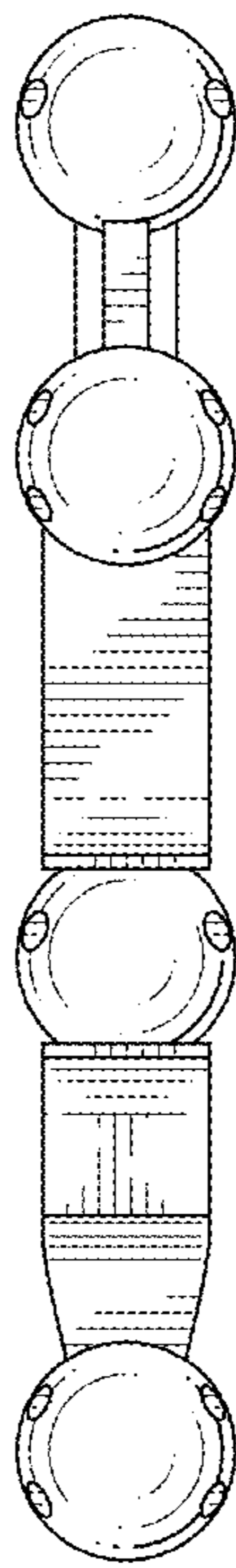


FIG.4

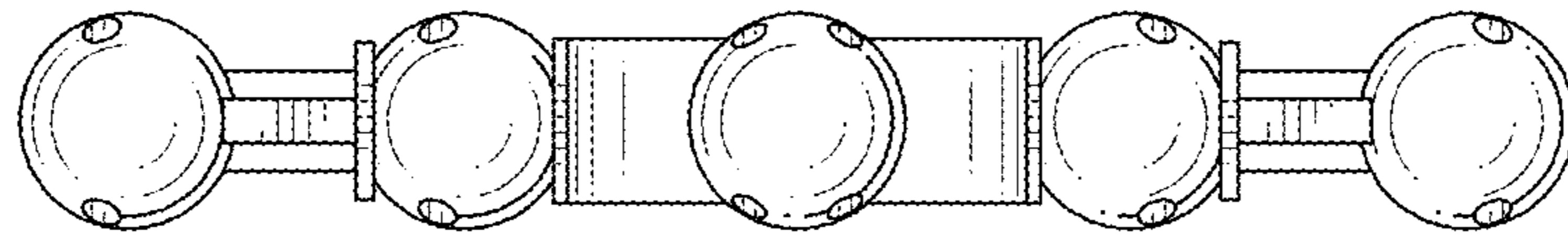


FIG. 5

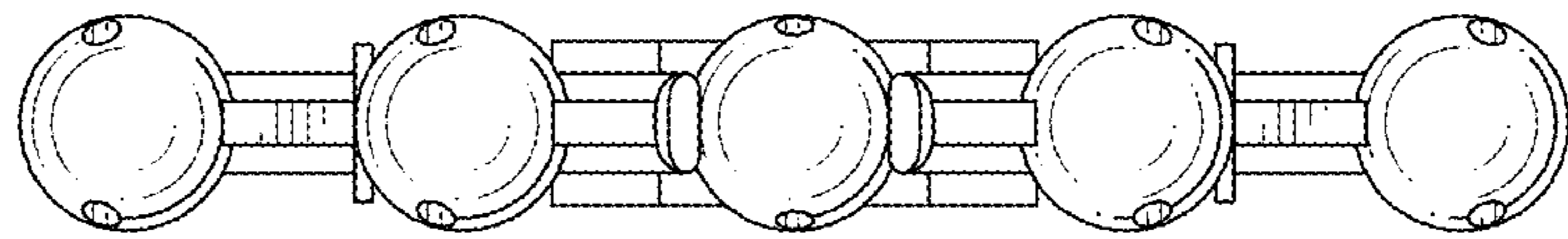


FIG. 6