

US00D696356S

(12) **United States Design Patent**
Nieman et al.

(10) **Patent No.:** **US D696,356 S**

(45) **Date of Patent:** **** Dec. 24, 2013**

(54) **DOCUMENT HANDLER FOR TABLE GAMES**

(71) Applicants: **Thomas S. Nieman**, Las Vegas, NV (US); **Hitomi Iglesias**, Tokyo (JP); **Kunal Mishra**, Las Vegas, NV (US)

(72) Inventors: **Thomas S. Nieman**, Las Vegas, NV (US); **Hitomi Iglesias**, Tokyo (JP); **Kunal Mishra**, Las Vegas, NV (US)

(73) Assignee: **JCM American Corporation**, Las Vegas, NV (US)

(**) Term: **14 Years**

(21) Appl. No.: **29/433,574**

(22) Filed: **Oct. 1, 2012**

(51) **LOC (9) Cl.** **21-01**

(52) **U.S. Cl.**
USPC **D21/385**

(58) **Field of Classification Search**
USPC D21/307-208, 334-368, 376-397;
273/236-287, 288-291

See application file for complete search history.

(56) **References Cited**

U.S. PATENT DOCUMENTS

D414,527 S * 9/1999 Tedham D21/396
D615,600 S * 5/2010 Scheper et al. D21/396

* cited by examiner

Primary Examiner — George D Kirschbaum

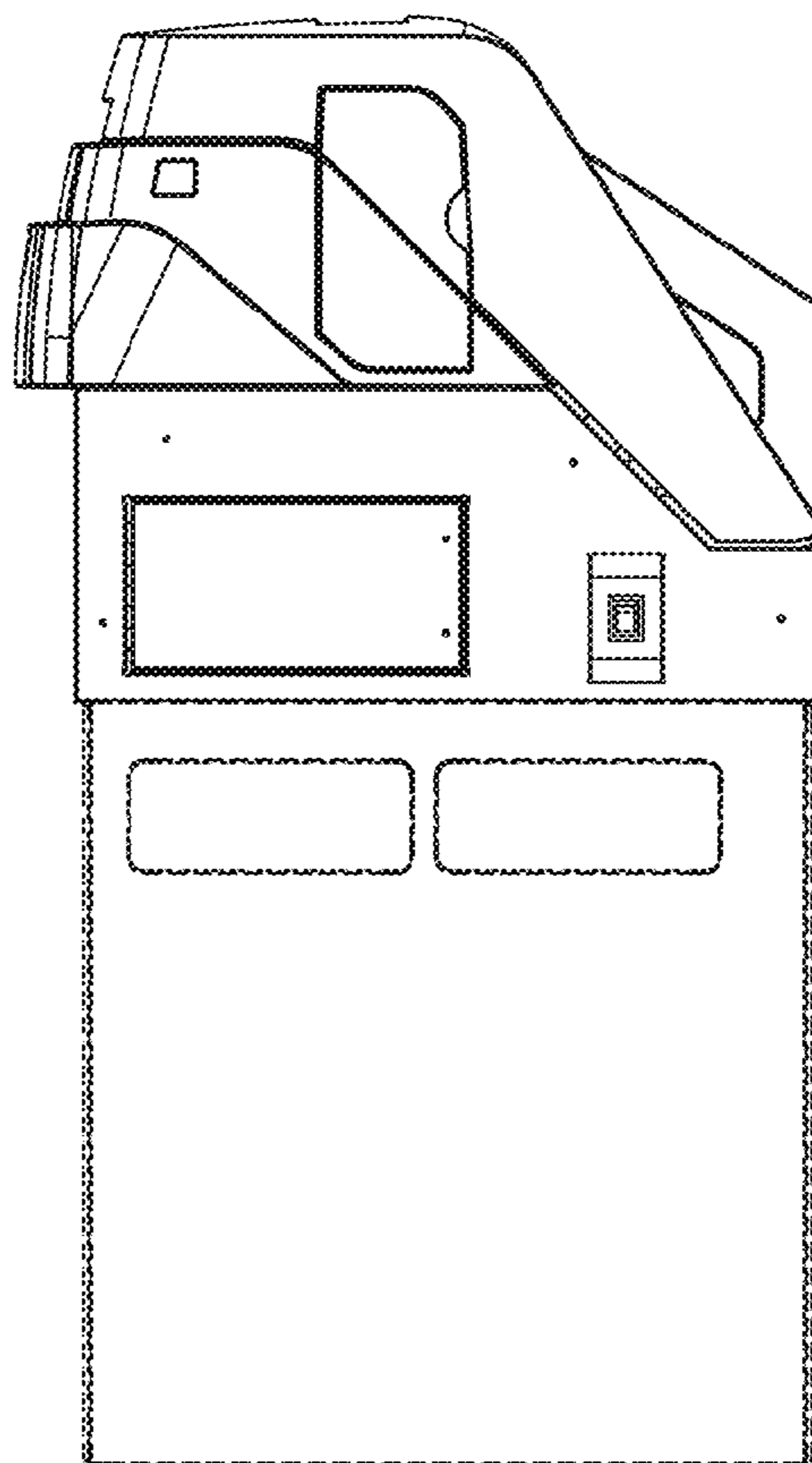
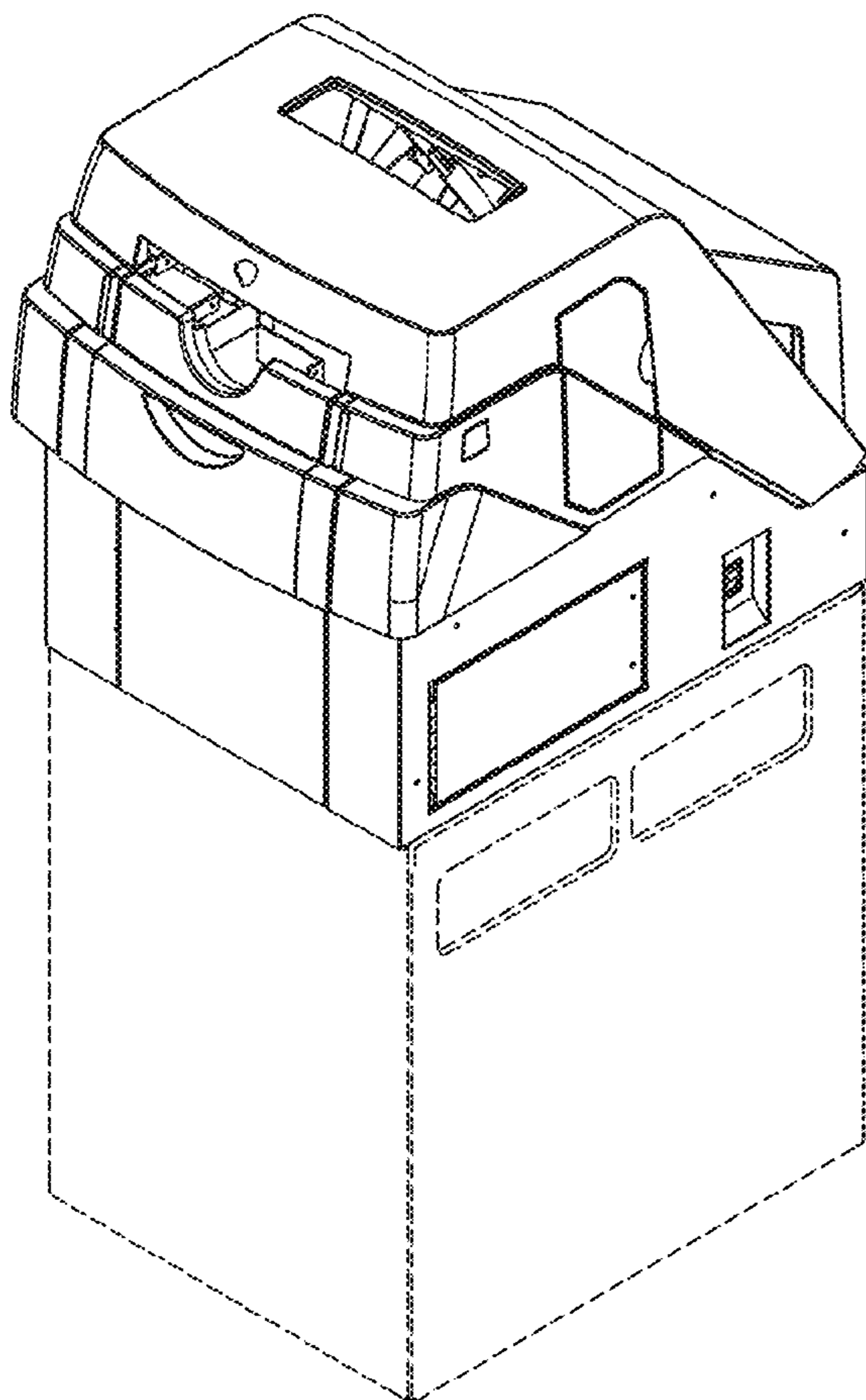
(57) **CLAIM**

We claim, the ornamental design for a document handler for table games, as shown described.

DESCRIPTION

FIG. 1 is a perspective view of a first image of a document handler for table games showing the design; FIG. 2 is a left side view of a second image thereof; FIG. 3 is a right side view a third image thereof; FIG. 4 is a front view of a fourth image thereof; FIG. 5 is a rear view of a fifth image thereof; FIG. 6 is a top view of a sixth image thereof; and, FIG. 7 is a bottom view of a seventh image thereof. Broken lines shown in the figures represent unclaimed portions of the document handler for table games.

1 Claim, 4 Drawing Sheets



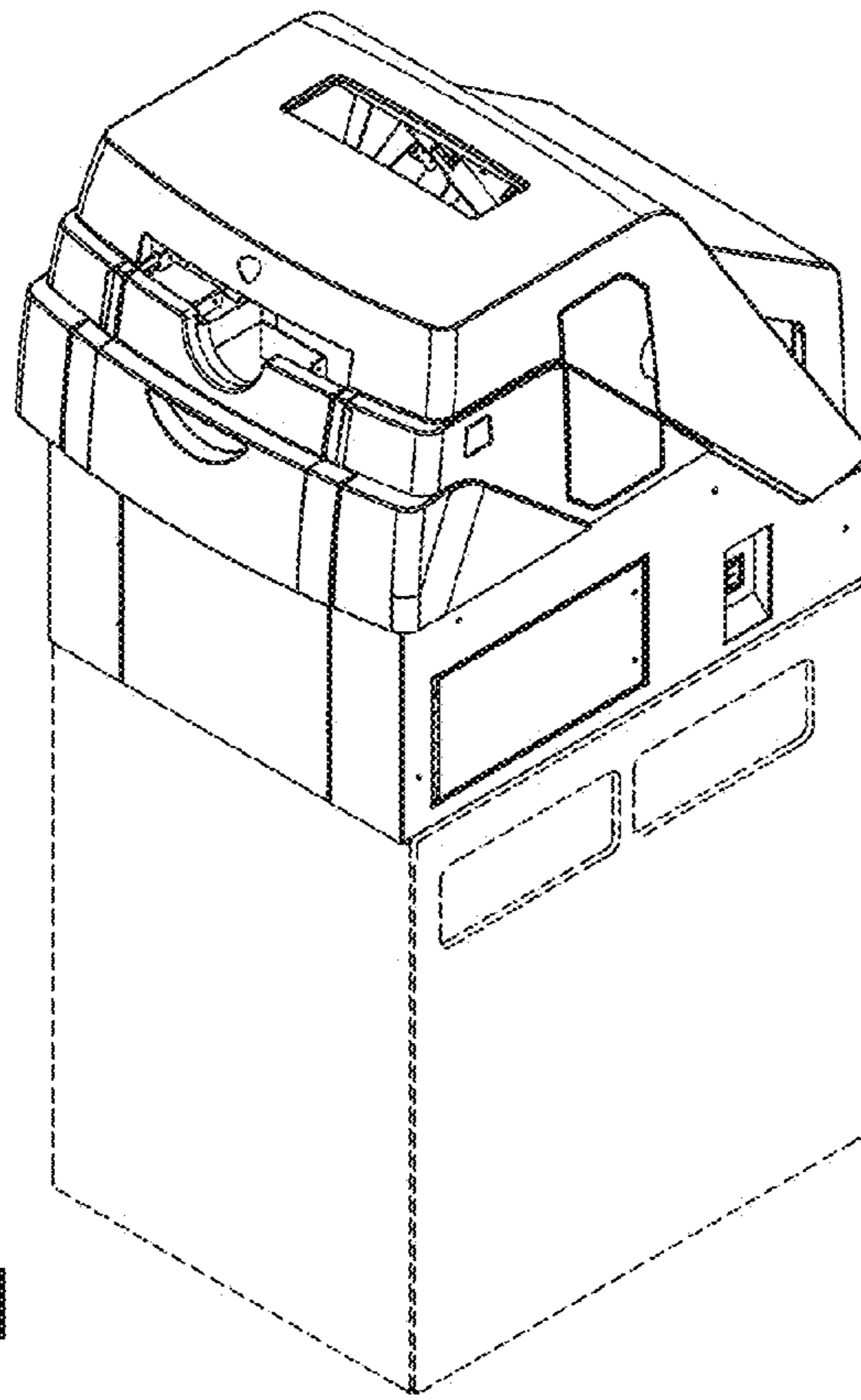


FIG. 1

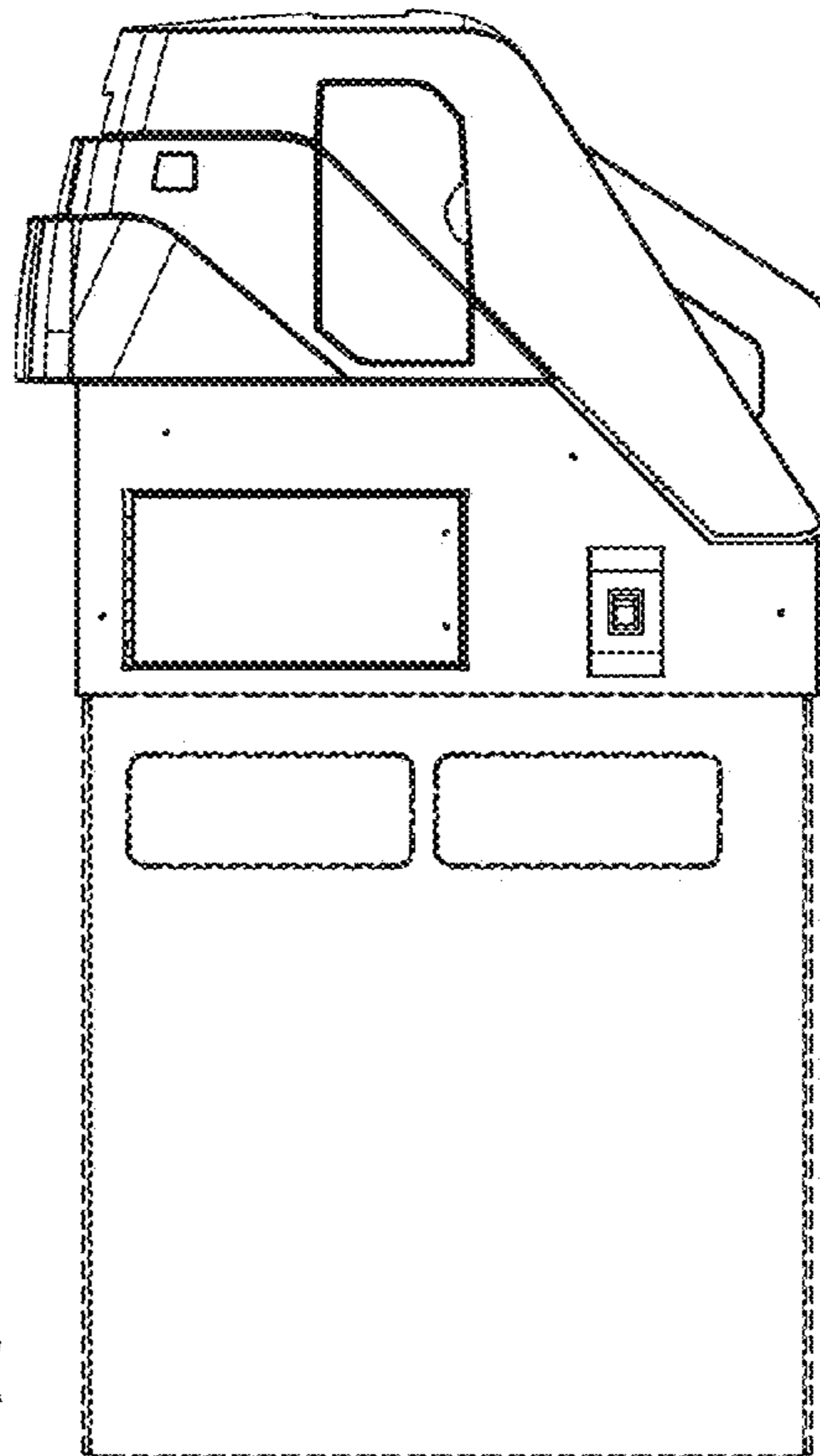


FIG. 2

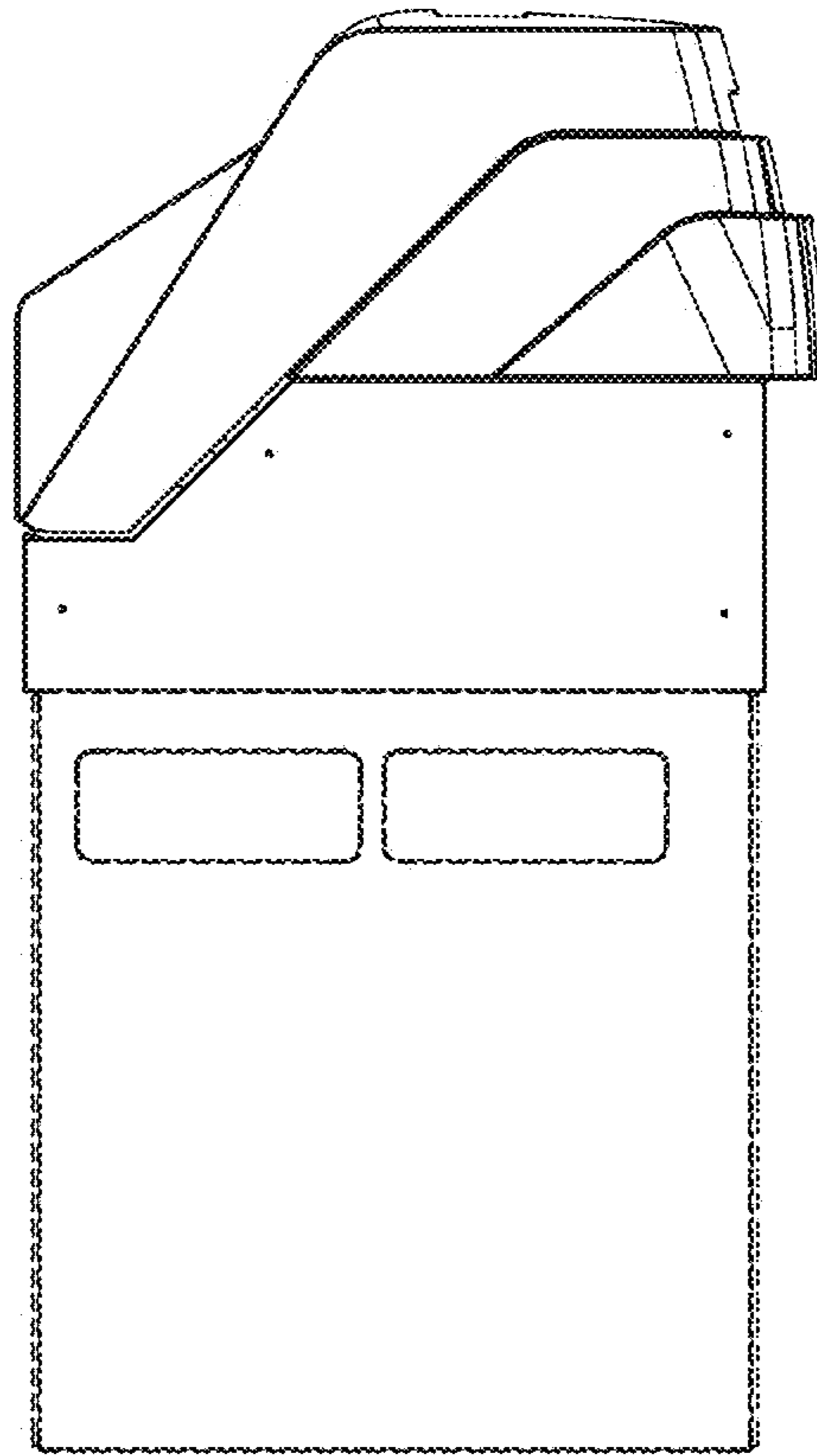


FIG. 3

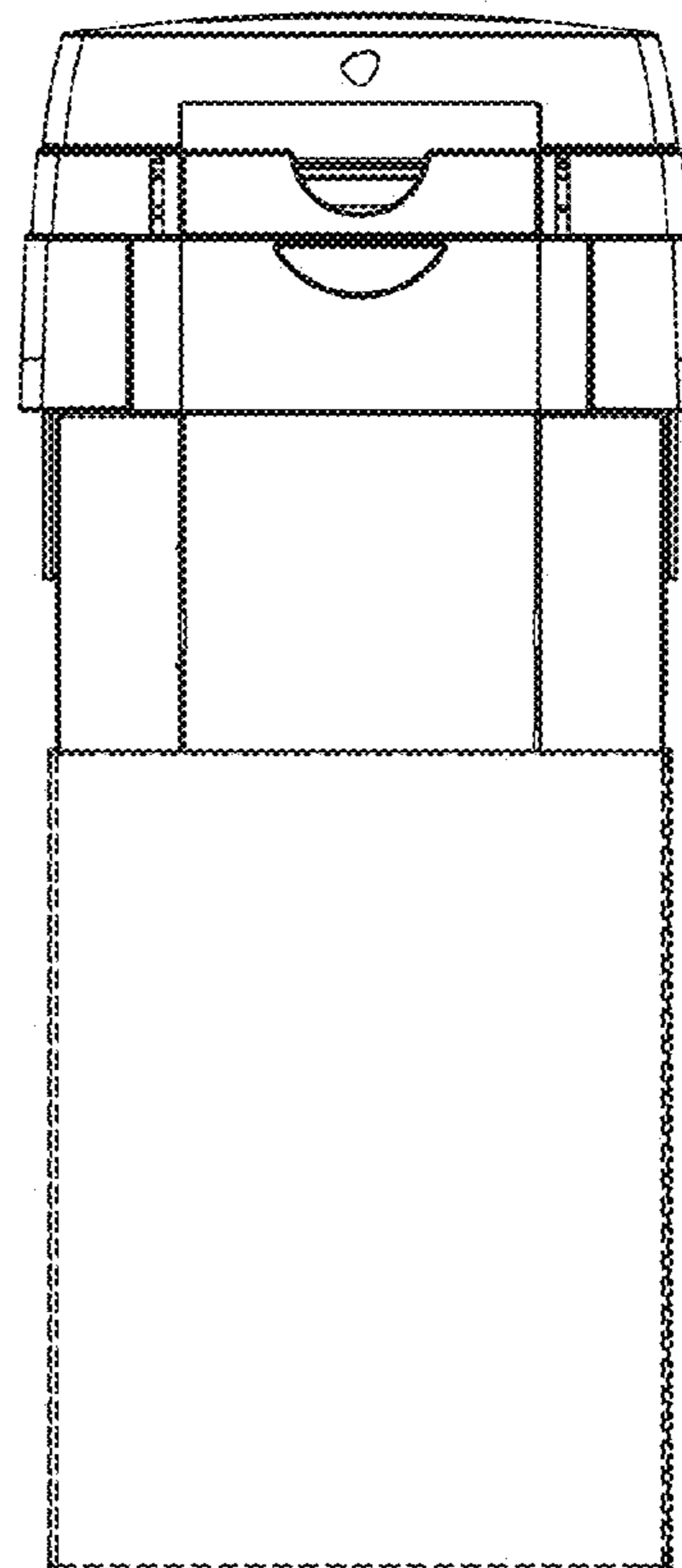


FIG. 4

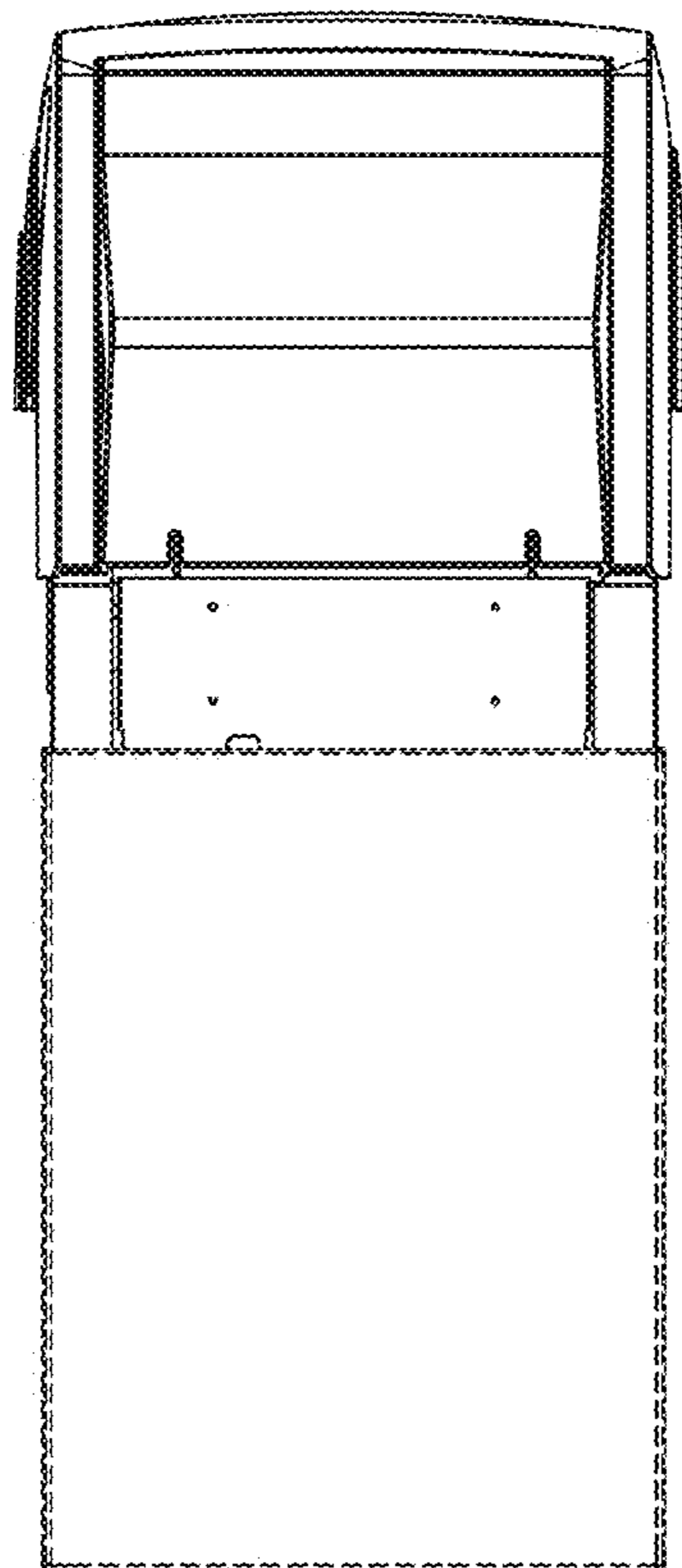


FIG. 5

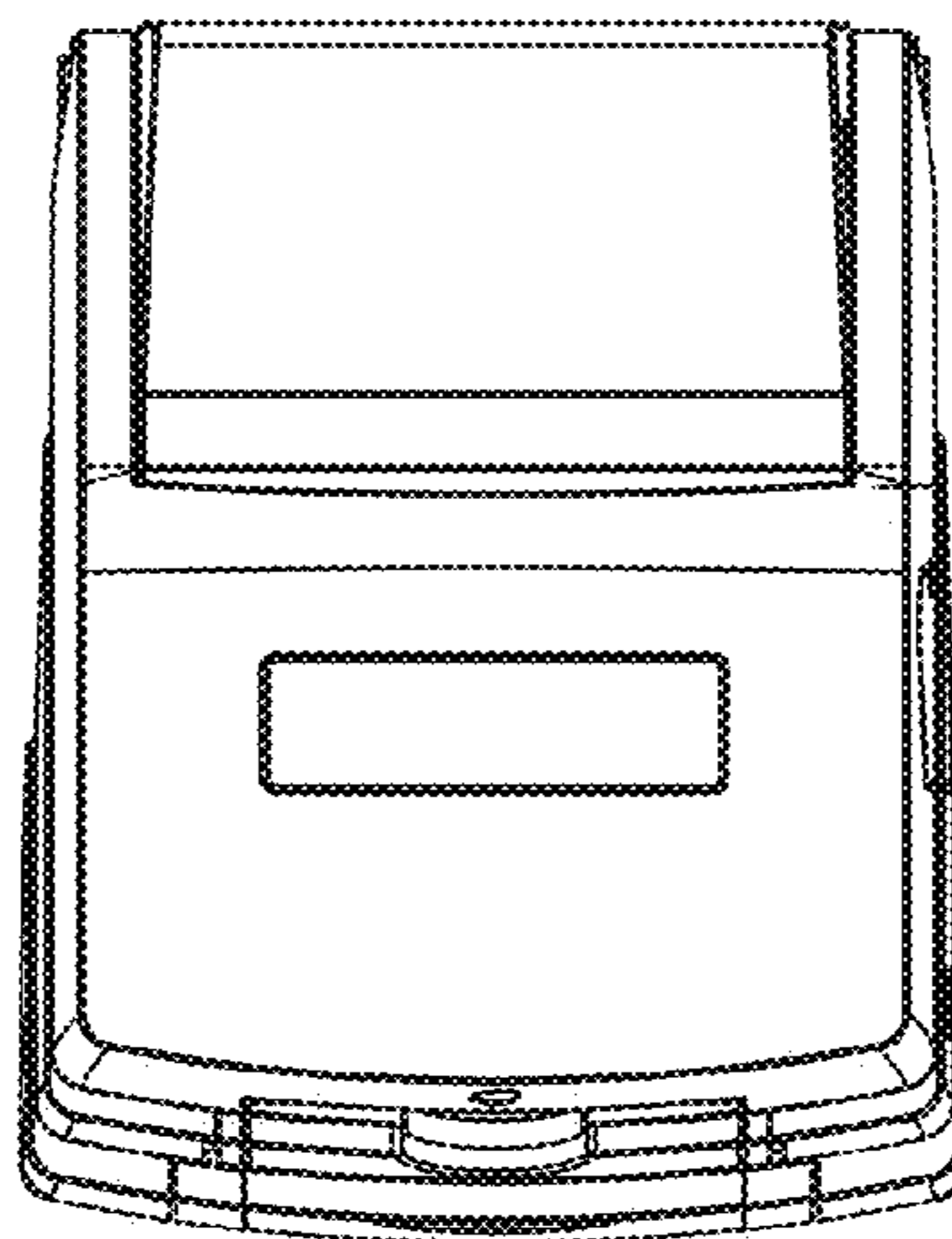


FIG. 6

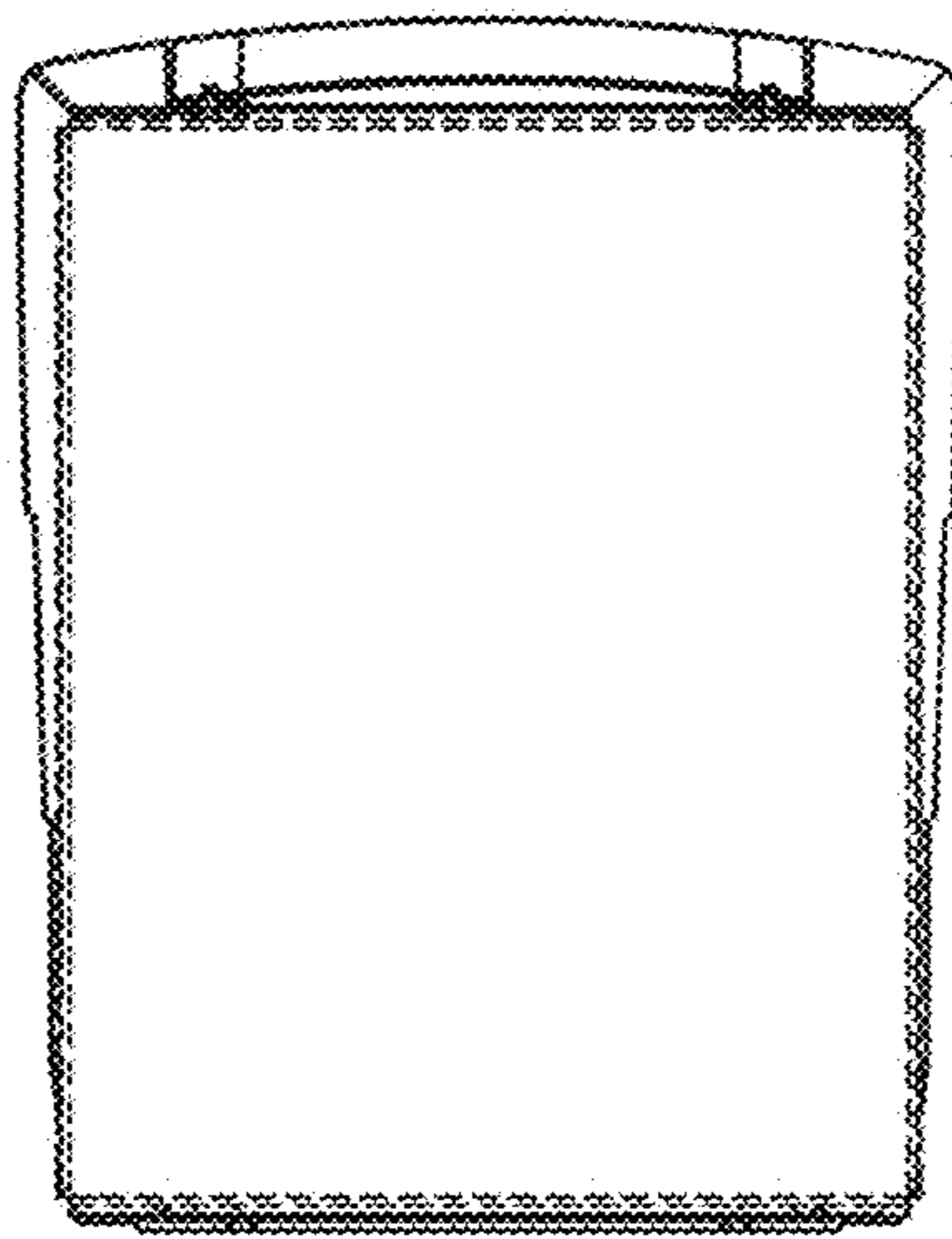


FIG. 7