

US00D696352S

(12) **United States Design Patent**
Kalis

(10) **Patent No.:** **US D696,352 S**

(45) **Date of Patent:** **** Dec. 24, 2013**

(54) **CROSSWISE ELECTRONIC GAME BOARD**

(75) Inventor: **Emile Kalis**, Rotterdam (NL)

(73) Assignee: **Identity Mansion B.V.** (NL)

(**) Term: **14 Years**

(21) Appl. No.: **29/428,998**

(22) Filed: **Aug. 6, 2012**

(30) **Foreign Application Priority Data**

Feb. 13, 2012 (EP) 001990755-0001
Feb. 13, 2012 (EP) 001990755-0002

(51) **LOC (9) Cl.** **21-01**

(52) **U.S. Cl.**
USPC **D21/334**

(58) **Field of Classification Search**
USPC D21/307–208, 334–368, 376–397;
273/236–287, 288–291; D14/434;
D13/103; D19/64

See application file for complete search history.

(56) **References Cited**

U.S. PATENT DOCUMENTS

D244,477 S * 5/1977 Bruce D21/360
D361,784 S * 8/1995 Saddler et al. D19/64
D391,931 S * 3/1998 Iino D14/434
D532,363 S * 11/2006 Morisawa D13/103
D682,278 S * 5/2013 Carnevali D14/434

* cited by examiner

Primary Examiner — George D Kirschbaum

(74) *Attorney, Agent, or Firm* — Miller & Martin

(57) **CLAIM**

The ornamental design for the crosswise electronic game board, as shown and described.

DESCRIPTION

FIG. 1 is a top plan view of the crosswise electronic game board; and

FIG. 2 is a top left perspective view of the crosswise electronic game board shown in FIG. 1;

FIG. 3 is a bottom plan view of the crosswise electronic game board shown in FIG. 1;

FIG. 4 is a front plan view of the crosswise electronic game board shown in FIG. 1;

FIG. 5 is a back plan view of the crosswise electronic game board shown in FIG. 1;

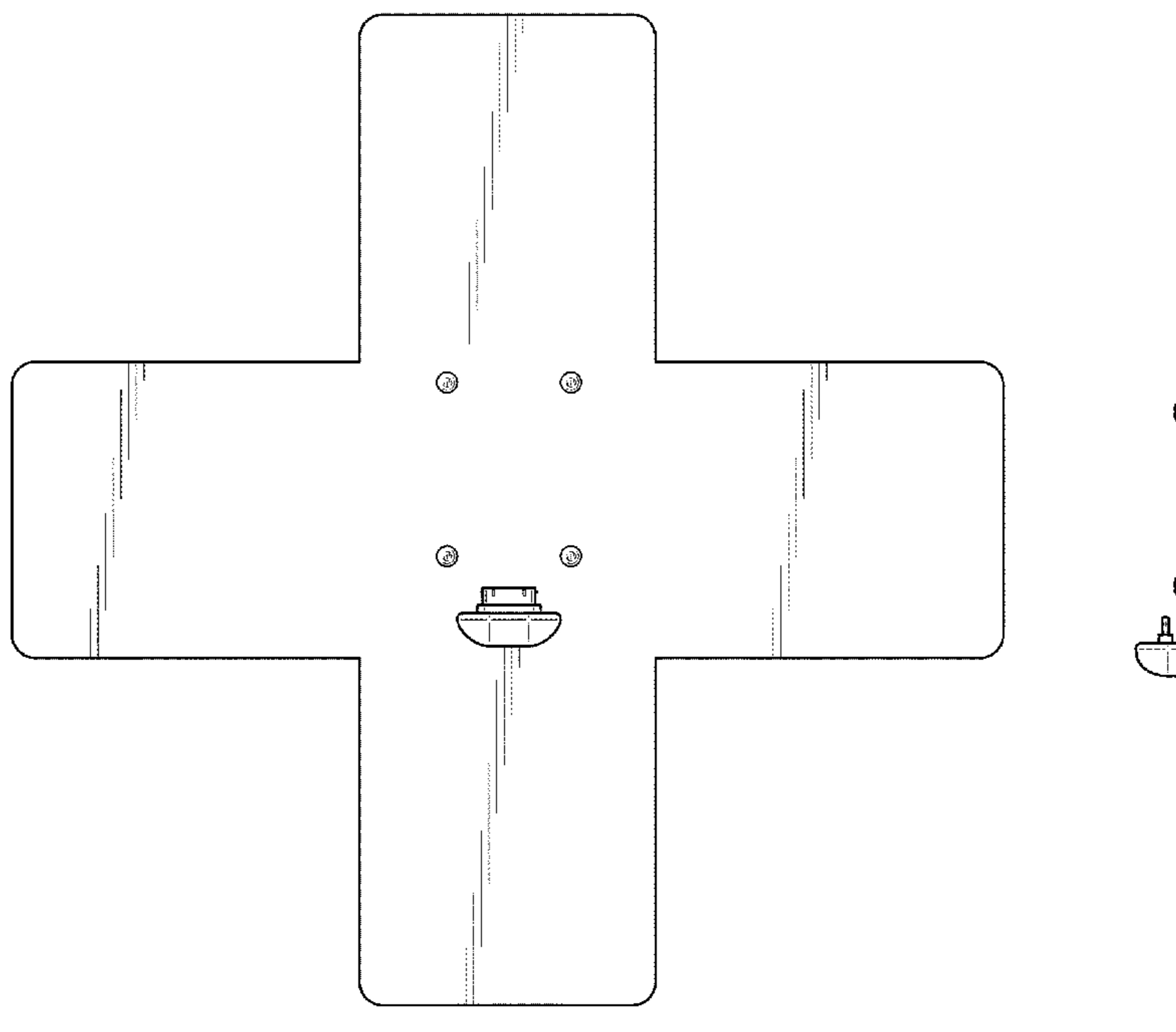
FIG. 6 is a right plan view of the crosswise electronic game board shown in FIG. 1, the left plan view being a mirror image thereof;

FIG. 7 is a right perspective view of the crosswise electronic game board shown in FIG. 1; and,

FIG. 8 is a right perspective view of the crosswise electronic game board shown in FIG. 1.

The broken lines in FIG. 1 through FIG. 8 are for environmental purposes only and form no part of the claimed design.

1 Claim, 3 Drawing Sheets



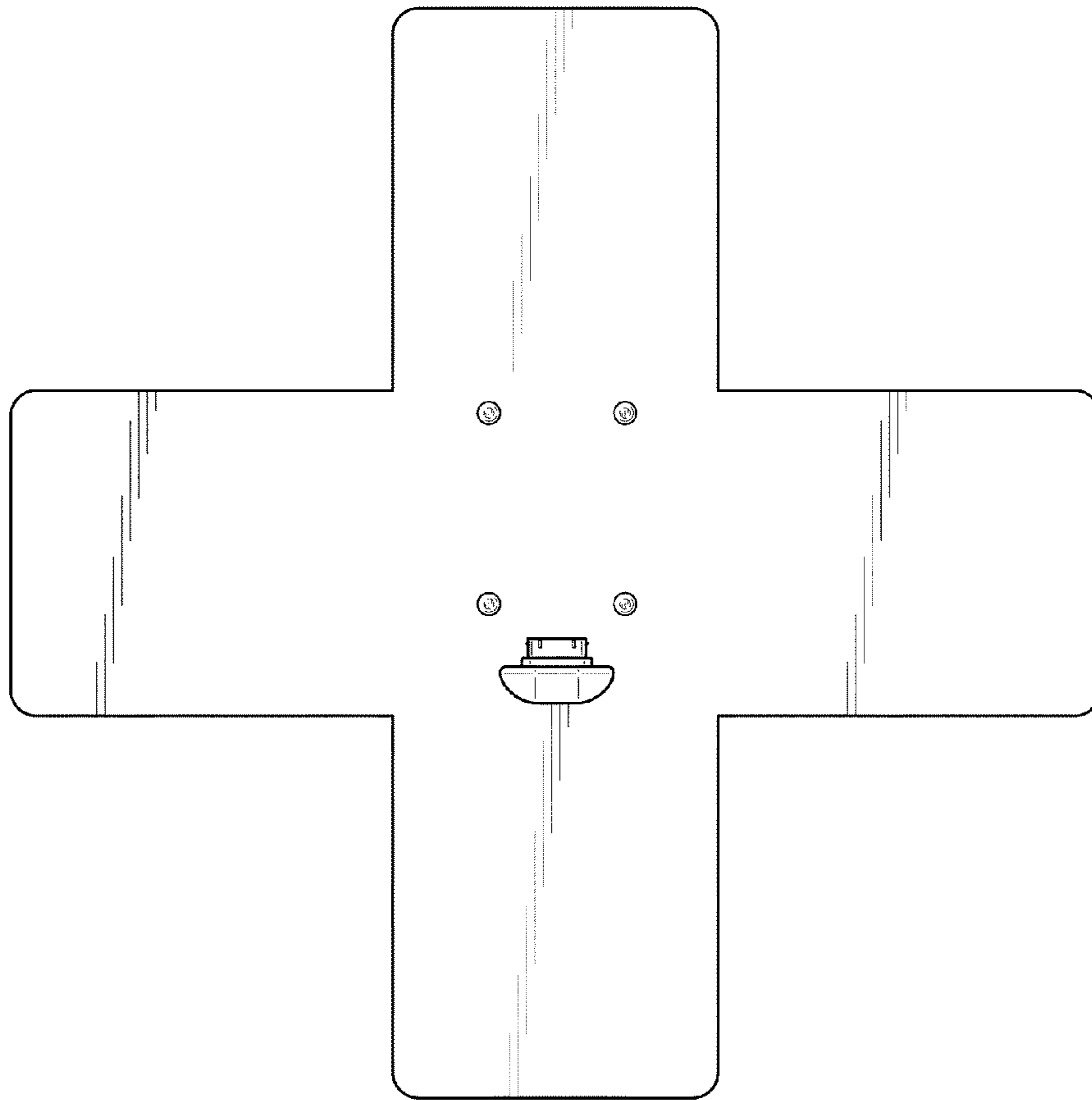


FIG. 1

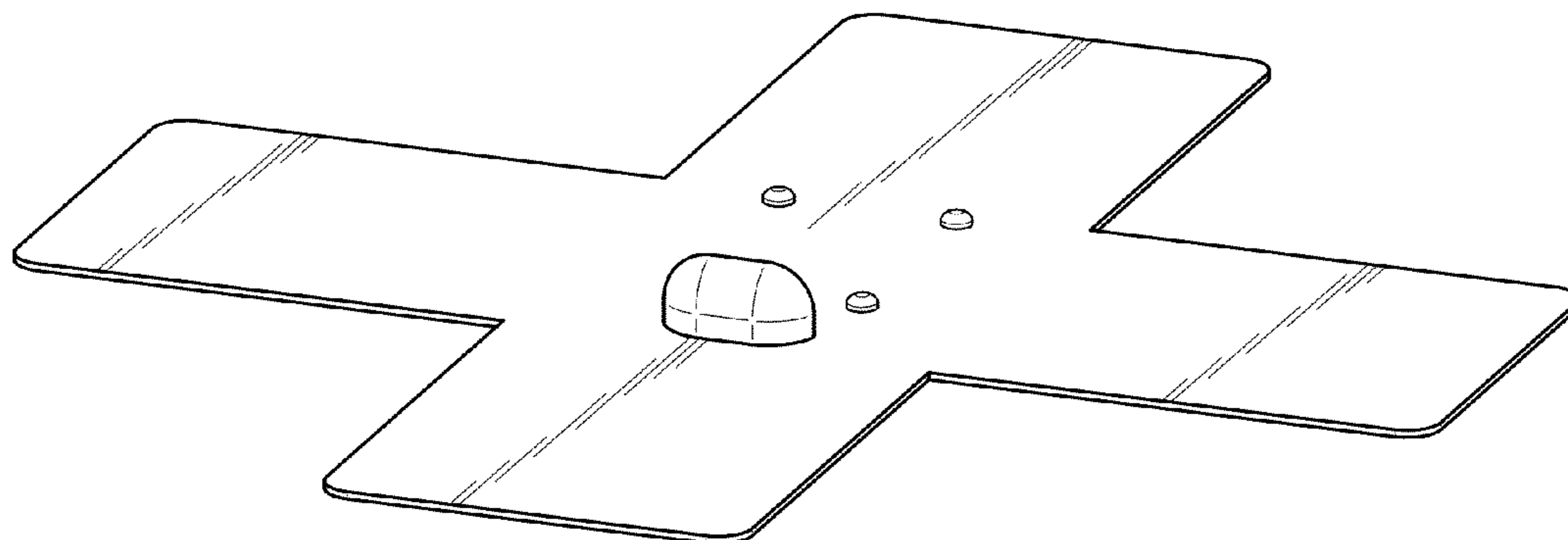


FIG. 2

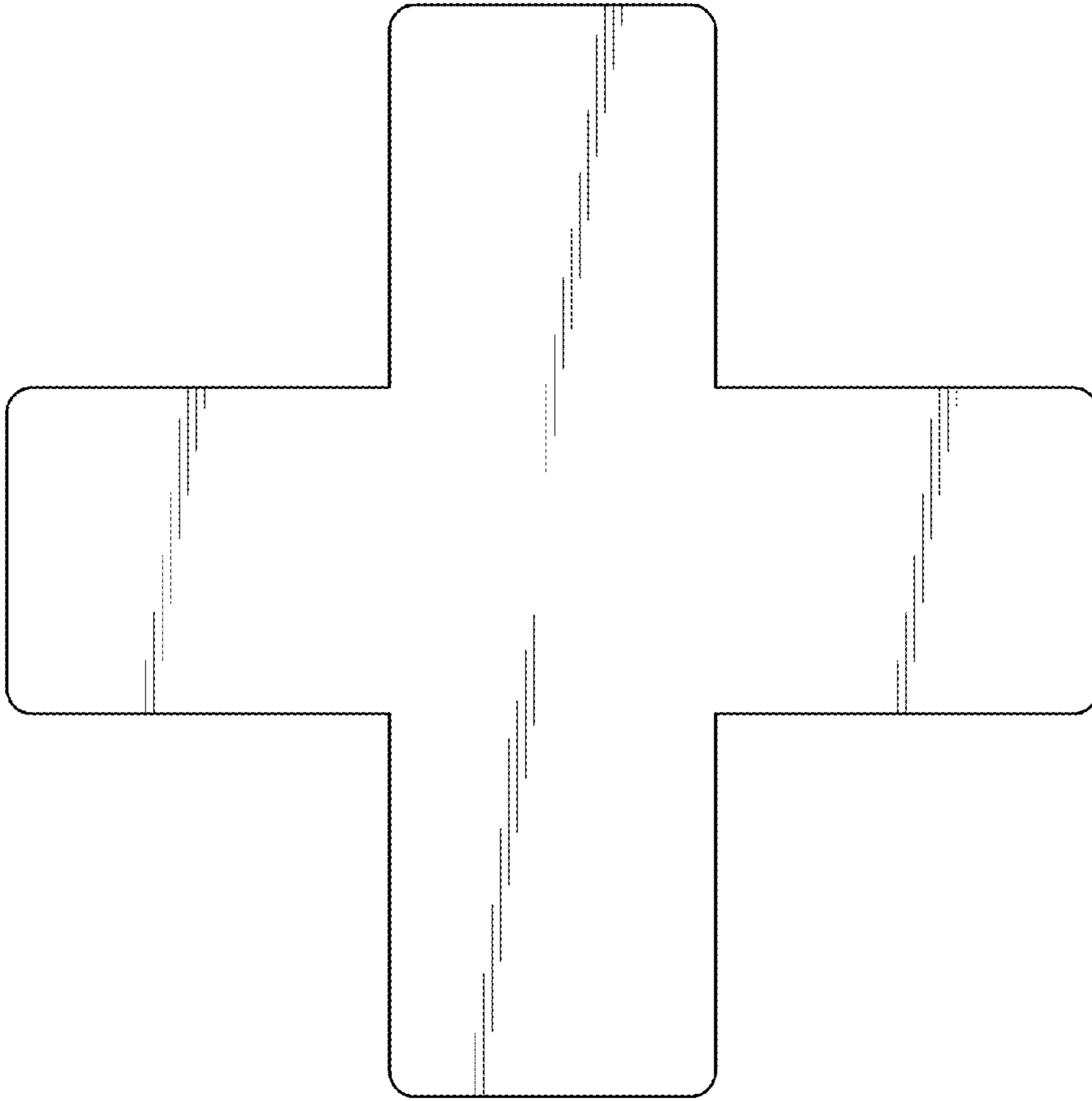


FIG. 3

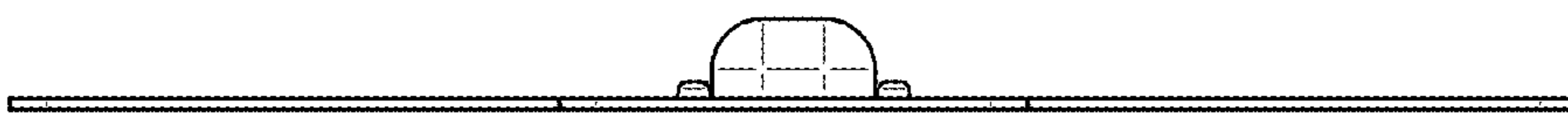


FIG. 4

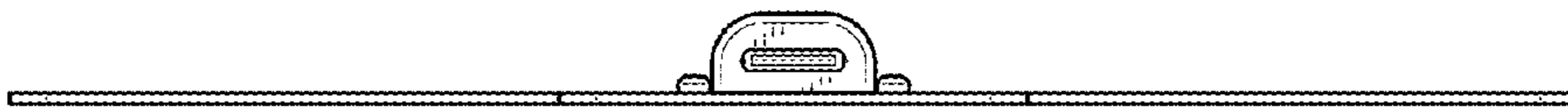


FIG. 5



FIG. 6

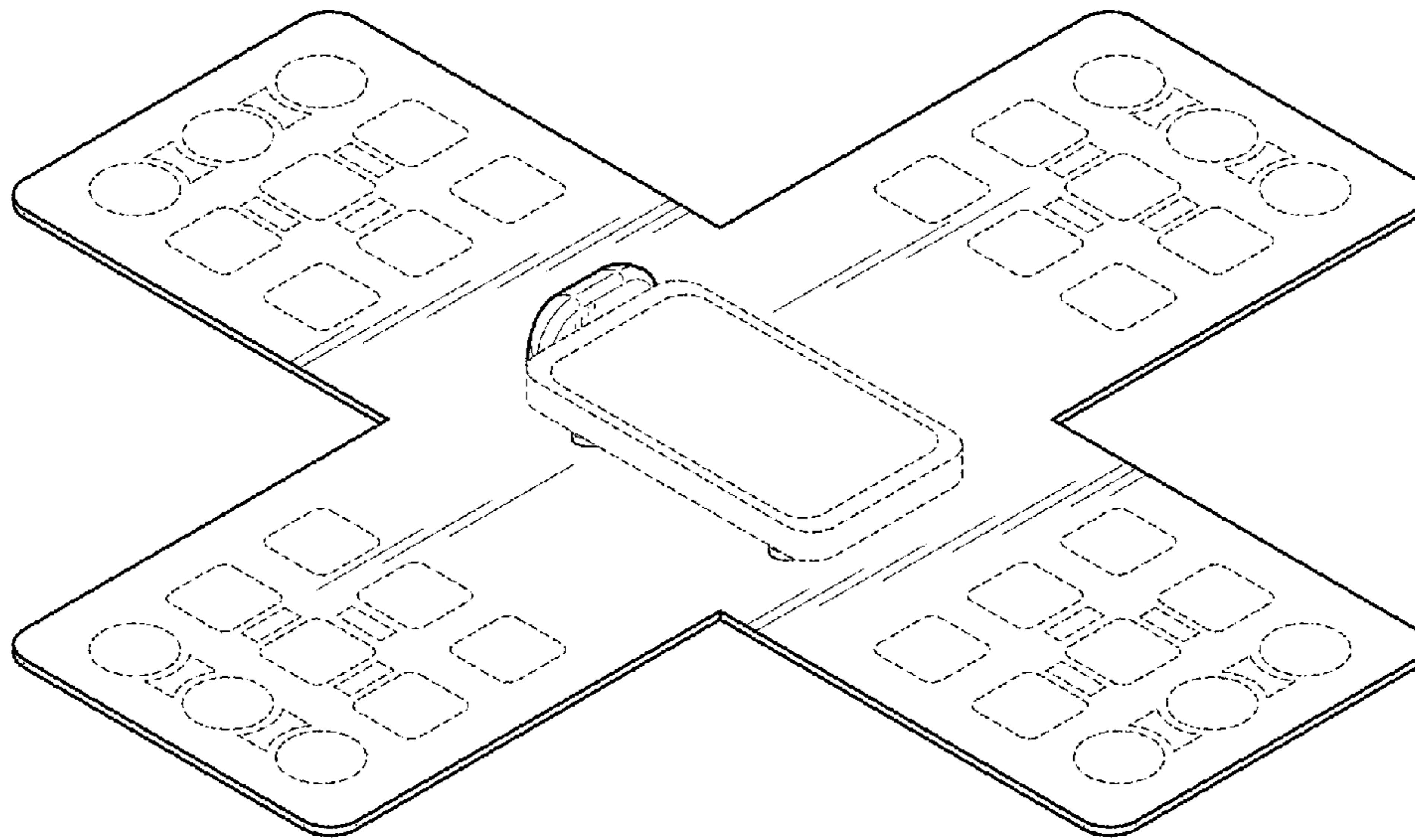


FIG. 7

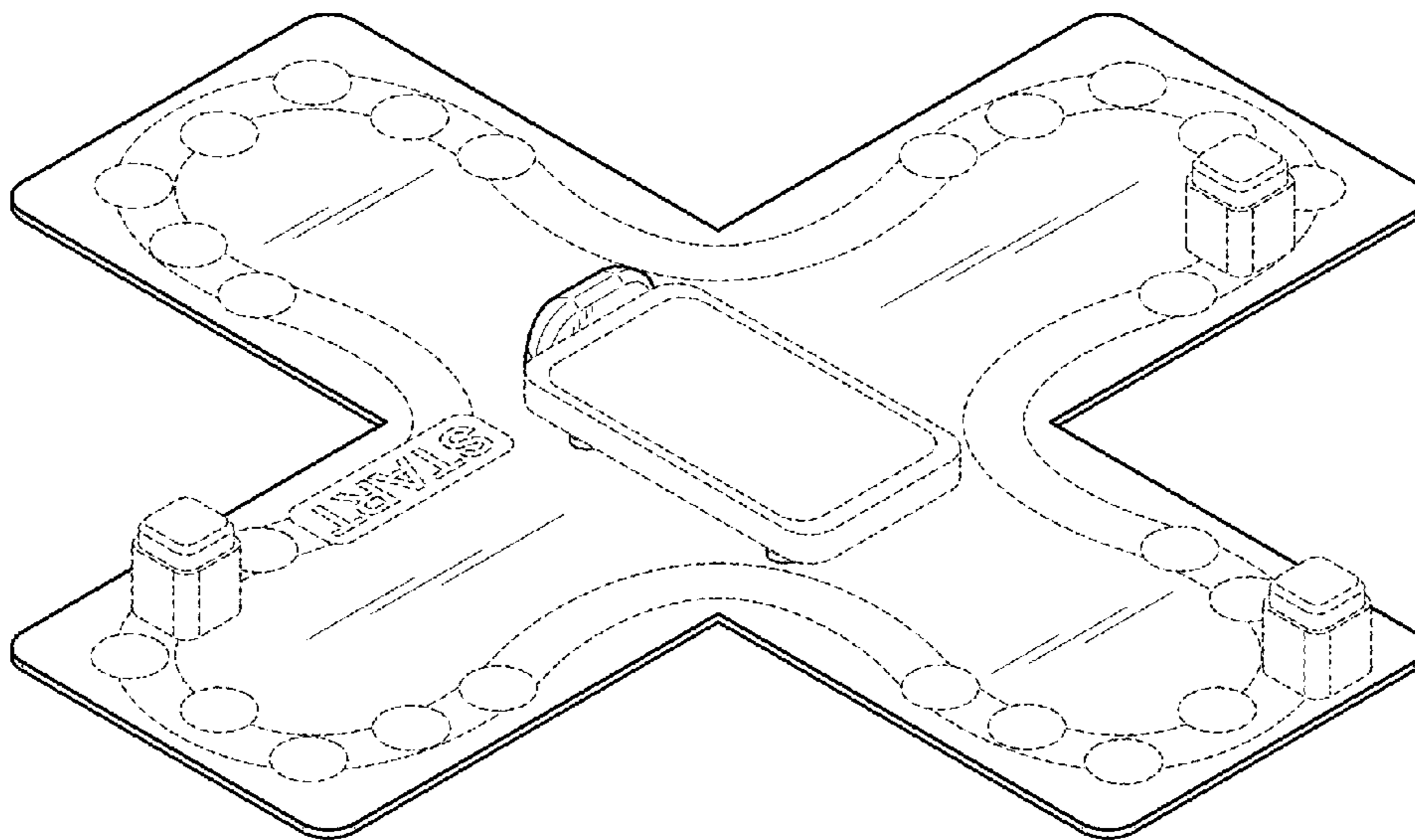


FIG. 8