

US00D696350S

(12) **United States Design Patent**
d'Amore et al.

(10) **Patent No.:** **US D696,350 S**
(45) **Date of Patent:** **** Dec. 24, 2013**

(54) **DISPENSER**

(75) Inventors: **Massimo F. d'Amore**, Larchmont, NY (US); **Mikel Durham**, Purchase, NY (US); **Christine J. Sisler**, Shrub Oak, NY (US); **Stephen Lim**, Chappaqua, NY (US); **Timothy Read**, Chicago, IL (US); **Christopher Streng**, Chicago, IL (US); **Daniel A. Streng**, Chicago, IL (US); **Brett Wieland**, Chicago, IL (US)

(73) Assignee: **PepsiCo, Inc.**, Purchase, NY (US)

(**) Term: **14 Years**

(21) Appl. No.: **29/398,525**

(22) Filed: **Aug. 1, 2011**

(51) **LOC (9) Cl.** **20-01**

(52) **U.S. Cl.**
USPC **D20/1; D7/306**

(58) **Field of Classification Search**
USPC D20/1-9; 221/6, 12, 123, 124, 149, 221/150 R, 155, 156, 159, 190, 251, 311; D6/515; D7/300, 305-312; D14/126, D14/336, 447; D15/81; D99/28; 197/239; 222/129, 135, 144.5, 185.1

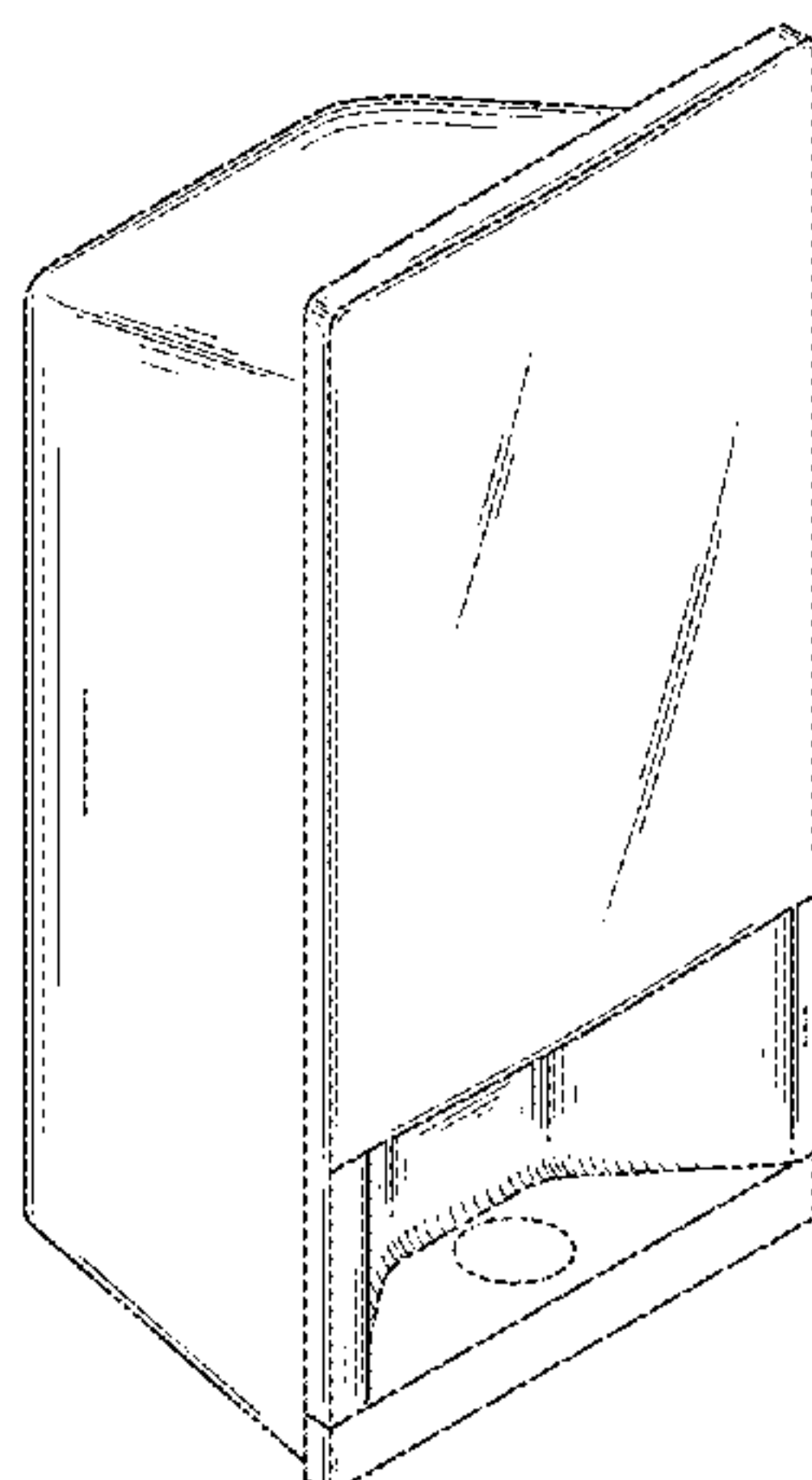
See application file for complete search history.

(56) **References Cited**

U.S. PATENT DOCUMENTS

D151,064 S *	9/1948	Moore	D20/4
D151,386 S	10/1948	Nissen		
D151,952 S	12/1948	Babcock		
D182,277 S *	3/1958	Giepen	D20/5
D202,688 S	11/1965	Cornelius et al.		
D235,816 S	7/1975	Hall		
D255,852 S *	7/1980	Fogarty	D6/515
D256,124 S	7/1980	Adamson et al.		
D259,790 S	7/1981	Hentschel		
D289,098 S *	3/1987	Nishida	D99/28
D310,612 S	9/1990	Desrosiers		
D323,875 S	2/1992	Kang et al.		
D356,342 S	3/1995	Reese et al.		
D359,649 S	6/1995	Salkeld et al.		

D360,801 S	8/1995	Shub		
D366,179 S *	1/1996	Hauser et al.	D7/307
D366,803 S *	2/1996	Hauser et al.	D7/307
D367,797 S	3/1996	Hauser, II et al.		
D385,457 S	10/1997	Sellers		
D387,809 S	12/1997	Reese et al.		
D398,183 S	9/1998	De Felip		
D404,242 S	1/1999	Schroeder		
D408,207 S	4/1999	Bourke		
D418,001 S	12/1999	van der Veen		
D421,629 S	3/2000	Sakata		
D424,361 S	5/2000	Kuboyama		
D431,145 S	9/2000	Woebcke et al.		
D440,255 S	4/2001	Dickson		
D444,986 S	7/2001	Smith et al.		
D453,088 S	1/2002	Bell et al.		
D454,465 S	3/2002	McKittrick et al.		
D456,663 S	5/2002	Chew		
D473,745 S	4/2003	Mulle et al.		
D474,366 S	5/2003	Hodges et al.		
D477,175 S	7/2003	Smith		
D482,227 S	11/2003	Walton		
D486,346 S	2/2004	Jönsson		
D498,637 S	11/2004	Heilstedt et al.		
D499,145 S	11/2004	Yao		
D500,625 S	1/2005	Hellenberg et al.		
D505,822 S	6/2005	De Gooijer		
D514,864 S	2/2006	Birdsell et al.		
D514,867 S	2/2006	Steiner		
D526,523 S	8/2006	Steiner et al.		
D527,567 S	9/2006	Nakato et al.		
D531,855 S	11/2006	Steiner et al.		
D533,007 S	12/2006	Felty		
D544,919 S	6/2007	Roekens et al.		
D544,920 S	6/2007	Roekens et al.		
D554,930 S	11/2007	Lavy		
D557,547 S	12/2007	Knoell et al.		
D564,279 S	3/2008	Hodges		
D570,149 S	6/2008	Truong		
D570,636 S	6/2008	Kulujian et al.		
D572,965 S	7/2008	Steiner		
D582,194 S	12/2008	Wang		
D583,608 S	12/2008	Kato		
D585,690 S	2/2009	Dammkoehler		
D587,956 S	3/2009	Adachi		
D597,367 S	8/2009	Adachi		
D597,605 S	8/2009	Davis		
D598,232 S	8/2009	Adachi		
D600,060 S	9/2009	Fletcher et al.		
D600,490 S	9/2009	Pino et al.		
D600,491 S	9/2009	Hammad et al.		
D601,380 S	10/2009	Jones et al.		
D608,129 S	1/2010	Spear et al.		



D608,130 S	1/2010	Moon et al.	
D608,131 S	1/2010	Meldrum et al.	
D617,132 S	6/2010	Wang	
D618,031 S	6/2010	Mansour	
D622,998 S	9/2010	Ashbridge	
D623,461 S	9/2010	Ashbridge	
D623,462 S	9/2010	Ashbridge	
D623,885 S	9/2010	Wang	
D624,778 S	10/2010	Meldrum et al.	
D626,776 S	11/2010	Voron et al.	
D627,187 S	11/2010	Voron et al.	
D630,471 S	1/2011	Wang	
D635,812 S	4/2011	Wang	
D638,476 S	5/2011	Hoffman et al.	
D638,513 S	5/2011	Choi	
D640,891 S	7/2011	Smith	
D644,472 S	9/2011	Ponzio et al.	
D647,355 S	10/2011	Ponzio et al.	
D649,393 S	11/2011	Cohlma et al.	
D659,172 S *	5/2012	Okuda	D15/81
D672,188 S	12/2012	Luippold et al.	

* cited by examiner

Primary Examiner — Mary Ann Calabrese
(74) *Attorney, Agent, or Firm* — Banner & Witcoff, Ltd.

(57) **CLAIM**
The ornamental design for a dispenser, as shown and described.

DESCRIPTION

FIG. 1 is a top, front, left perspective view of a dispenser showing a first embodiment of our new design;
FIG. 2 is a front view thereof;
FIG. 3 is a left side view thereof, wherein the right side is a mirror image of FIG. 3;
FIG. 4 is a rear view thereof;
FIG. 5 is a top view thereof;
FIG. 6 is an enlarged bottom, front perspective view showing the region identified as “FIG. 6” in FIG. 2;
FIG. 7 is a top, front, left perspective view of a dispenser showing a second embodiment of our new design;
FIG. 8 is a front view thereof;
FIG. 9 is a left side view thereof, wherein the right side is a mirror image of FIG. 9;
FIG. 10 is a rear view thereof;
FIG. 11 is a top view thereof;
FIG. 12 is an enlarged bottom, front perspective view showing the region identified as “FIG. 12” in FIG. 8;
FIG. 13 is a top, front, left perspective view of a dispenser showing a third embodiment of our new design;
FIG. 14 is a front view thereof;
FIG. 15 is a left side view thereof, wherein the right side is a mirror image of FIG. 15;
FIG. 16 is a rear view thereof;
FIG. 17 is a top view thereof;
FIG. 18 is an enlarged bottom, front perspective view showing the region identified as “FIG. 18” in FIG. 14;
FIG. 19 is a top, front, left perspective view of a dispenser showing a fourth embodiment of our new design;
FIG. 20 is a front view thereof;

FIG. 21 is a left side view thereof, wherein the right side is a mirror image of FIG. 21;
FIG. 22 is a rear view thereof;
FIG. 23 is a top view thereof;
FIG. 24 is an enlarged bottom, front perspective view showing the region identified as “FIG. 24” in FIG. 20;
FIG. 25 is a top, front, left perspective view of a dispenser showing a fifth embodiment of our new design;
FIG. 26 is a front view thereof;
FIG. 27 is a left side view thereof, wherein the right side is a mirror image of FIG. 27;
FIG. 28 is a rear view thereof;
FIG. 29 is a top view thereof;
FIG. 30 is an enlarged bottom, front perspective view showing the region identified as “FIG. 30” in FIG. 26;
FIG. 31 is a top, front, left perspective view of a dispenser showing a sixth embodiment of our new design;
FIG. 32 is a front view thereof;
FIG. 33 is a left side view thereof, wherein the right side is a mirror image of FIG. 33;
FIG. 34 is a rear view thereof;
FIG. 35 is a top view thereof;
FIG. 36 is an enlarged bottom, front perspective view showing the region identified as “FIG. 36” in FIG. 32;
FIG. 37 is a top, front, left perspective view of a dispenser showing a seventh embodiment of our new design;
FIG. 38 is a front view thereof;
FIG. 39 is a left side view thereof, wherein the right side is a mirror image of FIG. 39;
FIG. 40 is a rear view thereof;
FIG. 41 is a top view thereof;
FIG. 42 is an enlarged bottom, front perspective view showing the region identified as “FIG. 42” in FIG. 38;
FIG. 43 is a top, front, left perspective view of a dispenser showing an eighth embodiment of our new design;
FIG. 44 is a front view thereof;
FIG. 45 is a left side view thereof, wherein the right side is a mirror image of FIG. 45;
FIG. 46 is a rear view thereof;
FIG. 47 is a top view thereof; and,
FIG. 48 is an enlarged bottom, front perspective view showing the region identified as “FIG. 48” in FIG. 44.
The uneven-length broken lines represent unclaimed boundaries of the claimed design. The wavy even-length broken lines in FIGS. 6, 12, 18, 24, 30, 36, 42, and 48 are imaginary break lines and form no part of the claimed design. The remaining even-length broken lines showing the remainder of the dispenser are for environmental purposes only and form no part of the claimed design. The arrow words “FIG. 6”, “FIG. 12”, “FIG. 18”, “FIG. 24”, “FIG. 30”, “FIG. 36”, “FIG. 42” and “FIG. 48” adjacent thereto and associated figure number in FIGS. 2, 8, 14, 20, 26, 32, 38 and 44 are for referential purposes only and form no part of the claimed design.

1 Claim, 48 Drawing Sheets

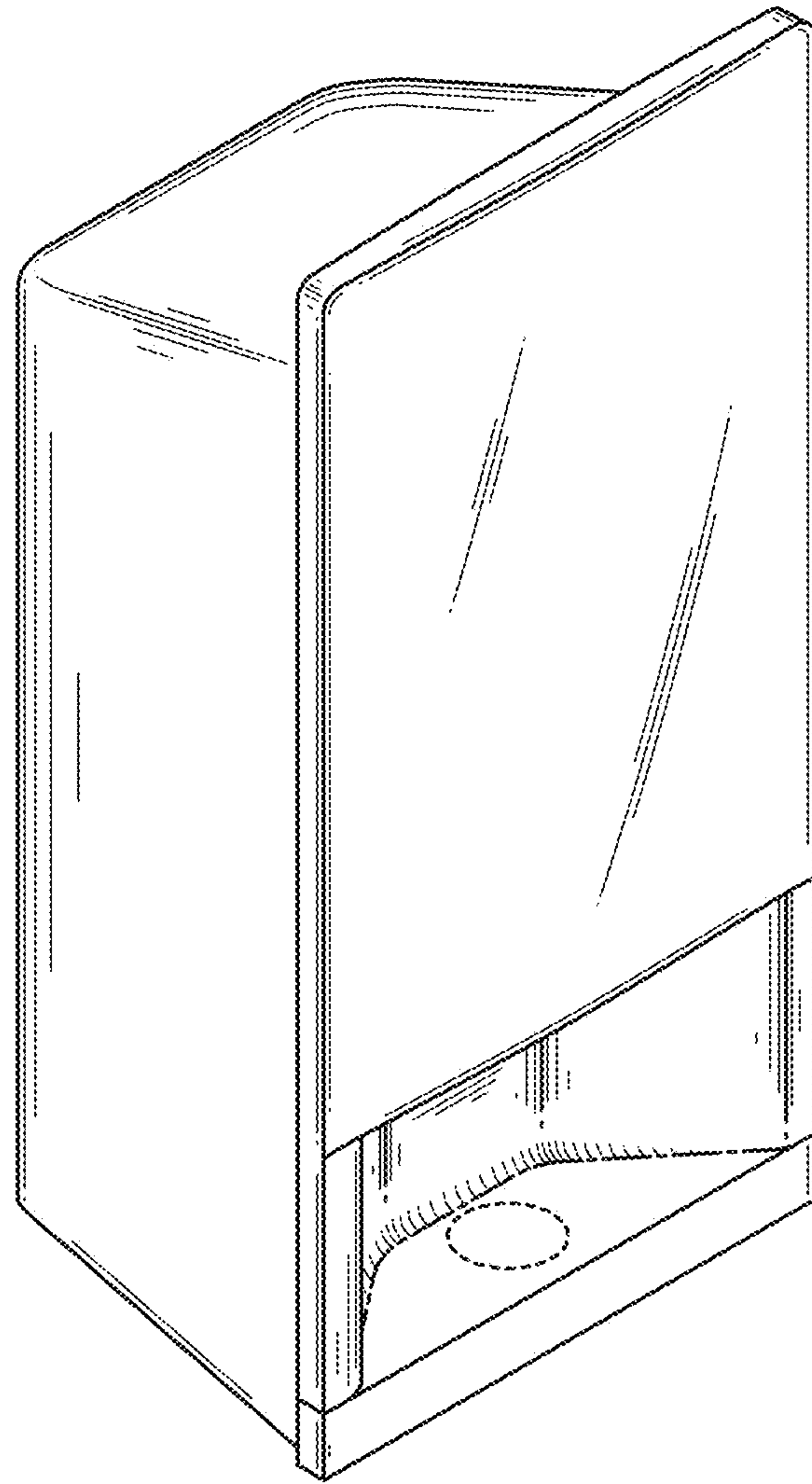


FIG. 1

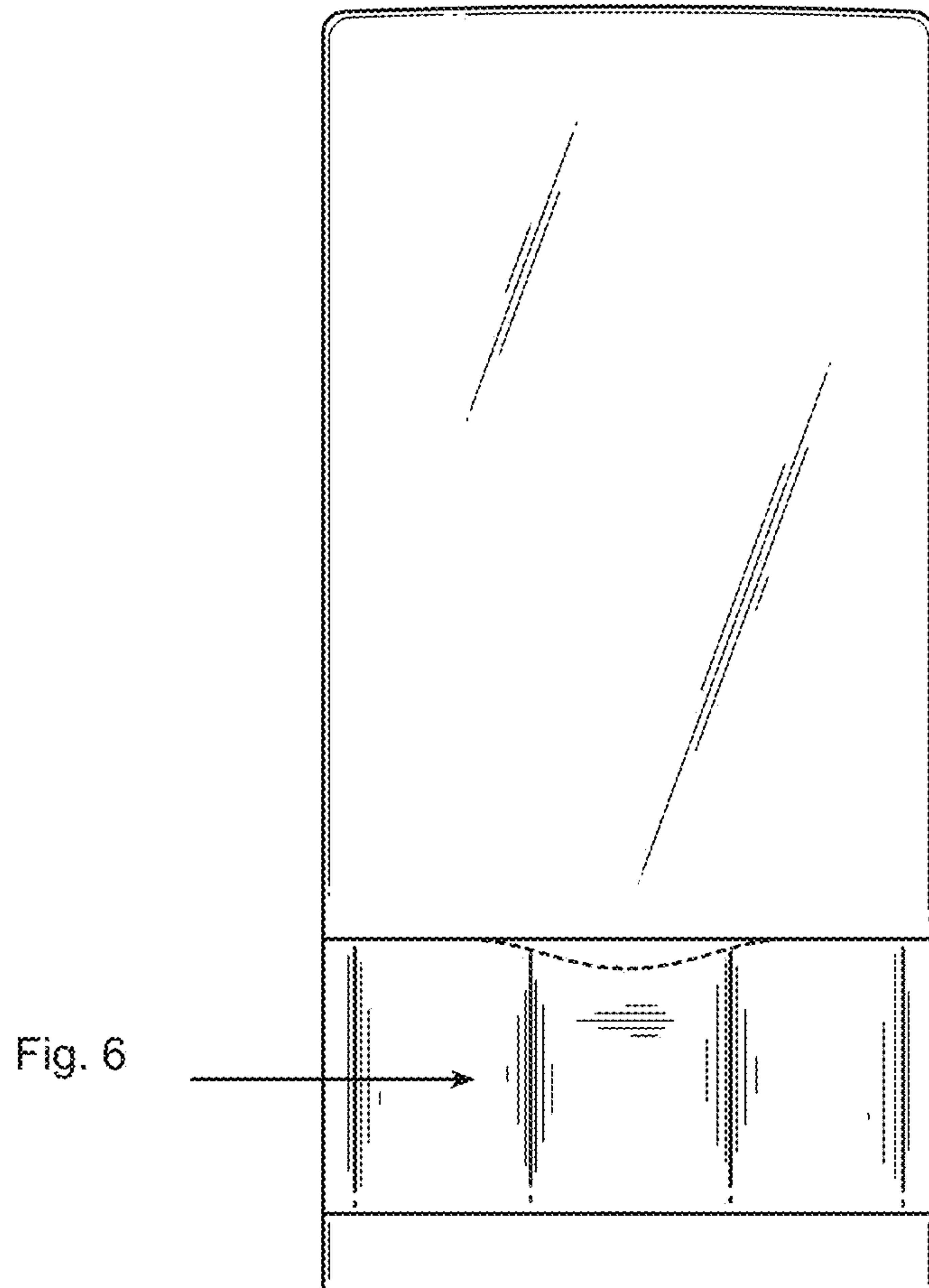


FIG. 2

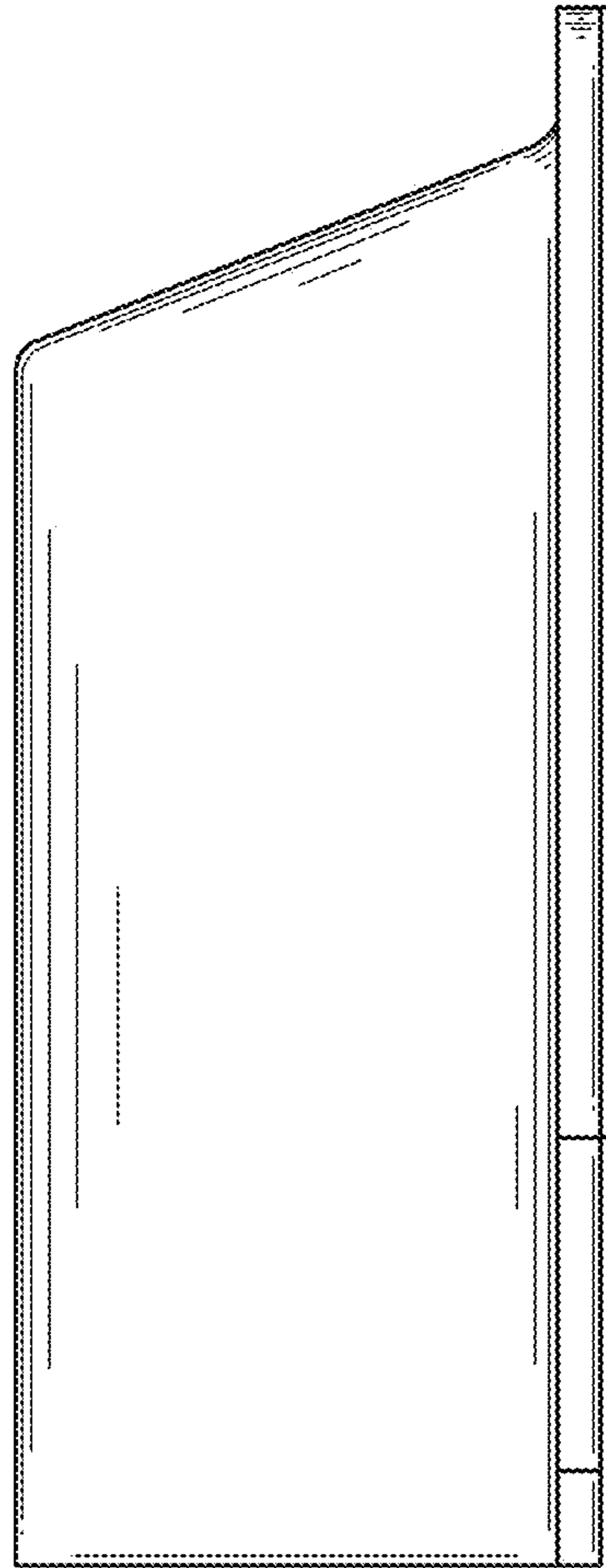


FIG. 3

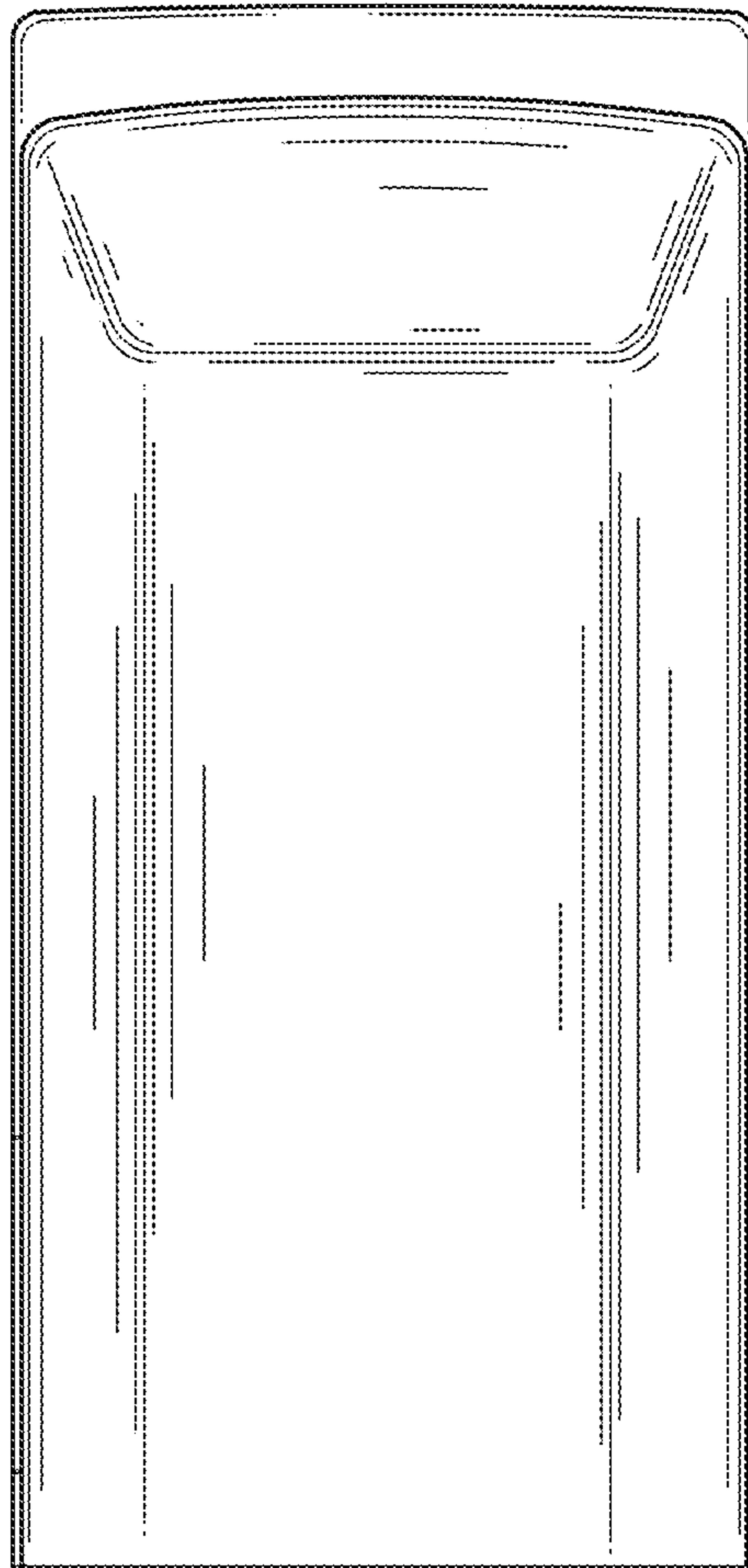


FIG. 4

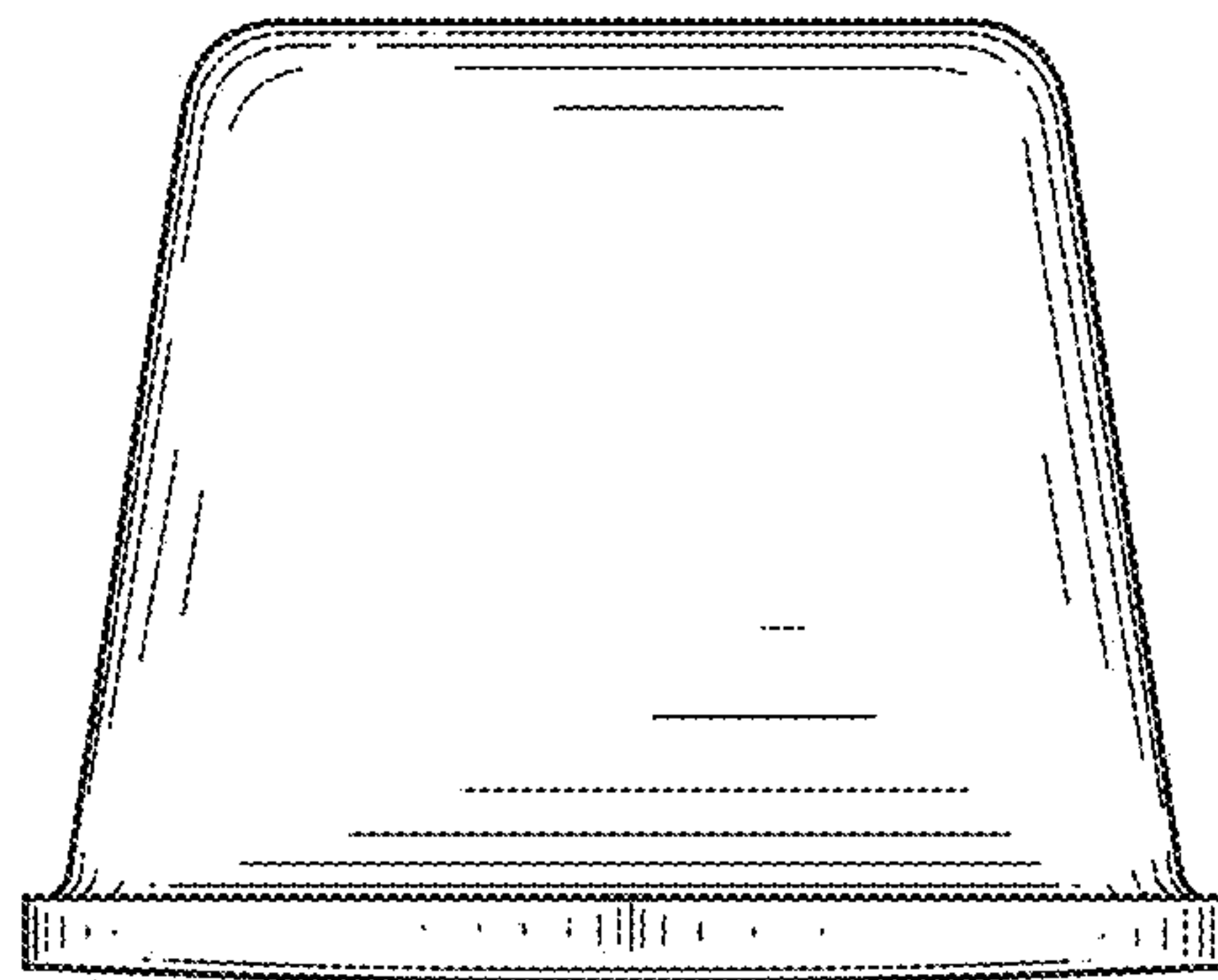


FIG. 5

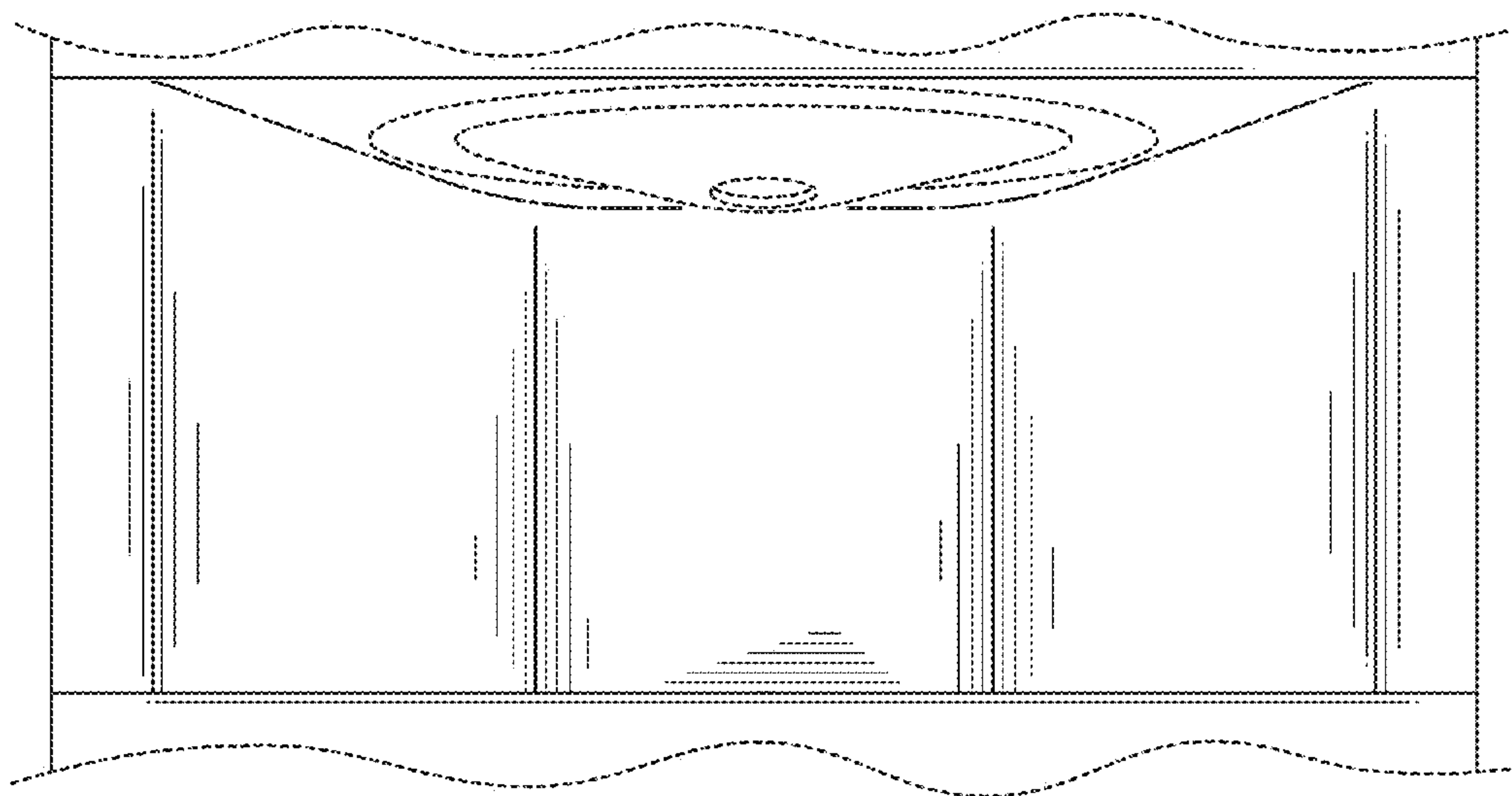


FIG. 6

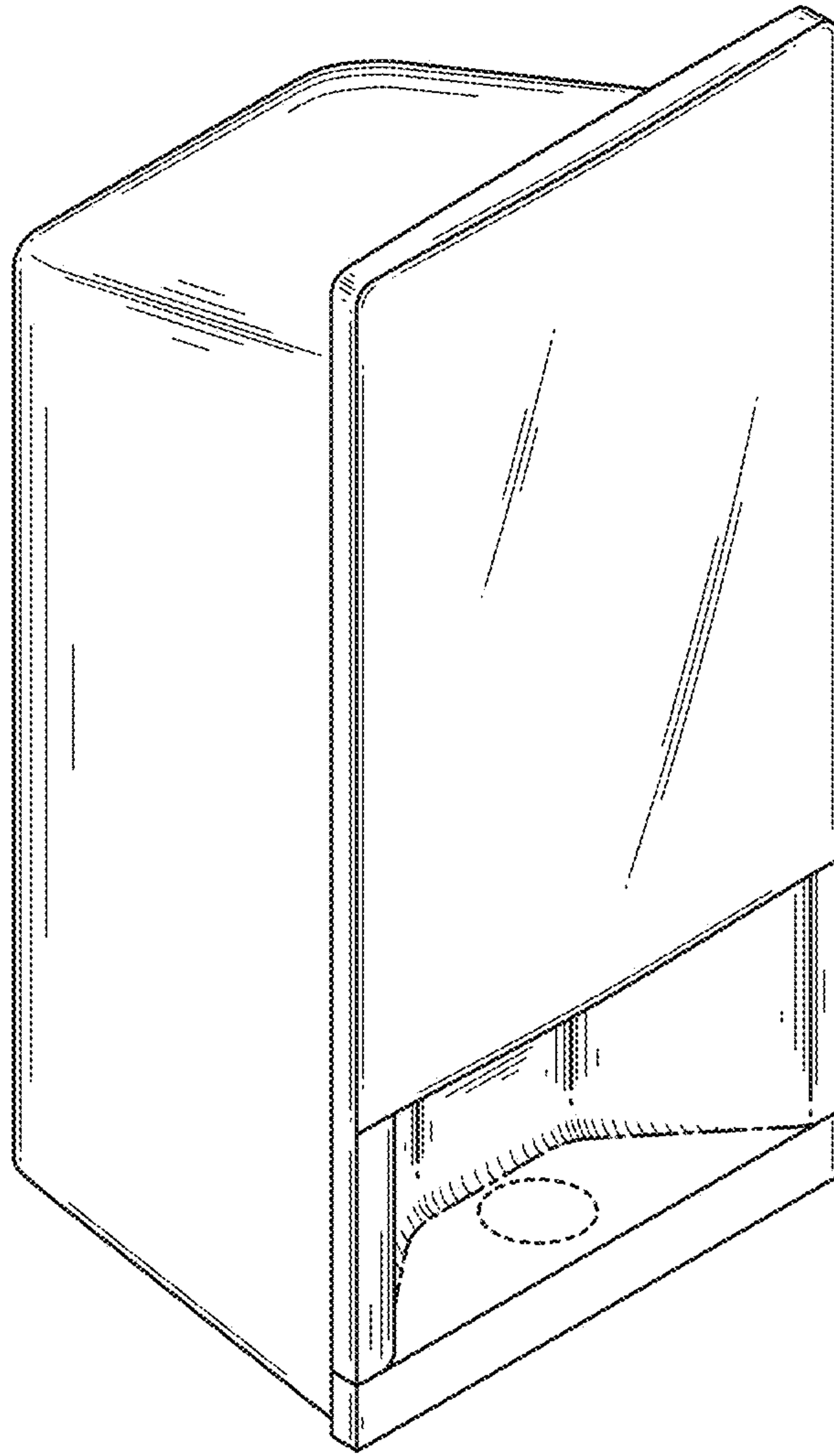


FIG. 7

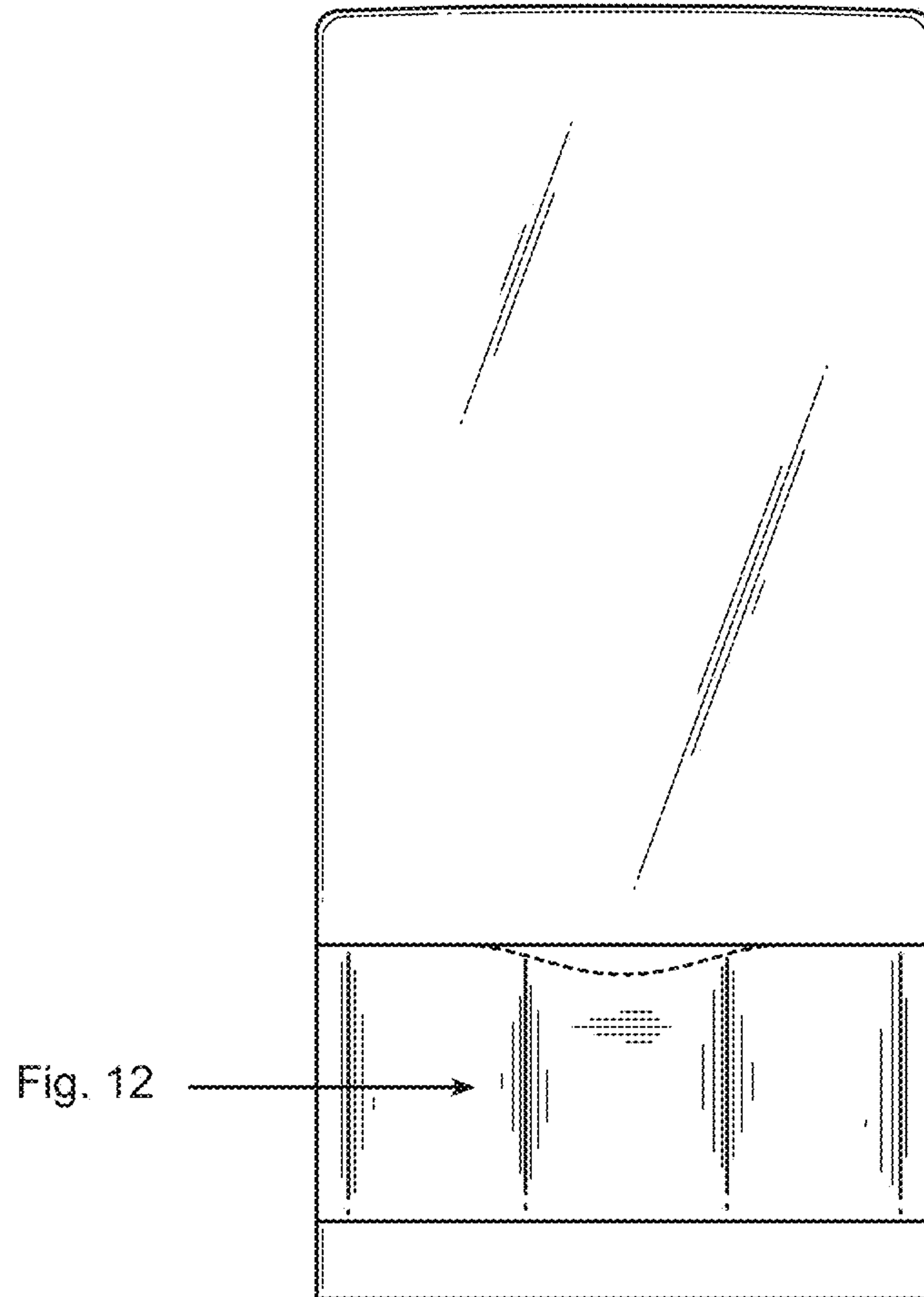


FIG. 8

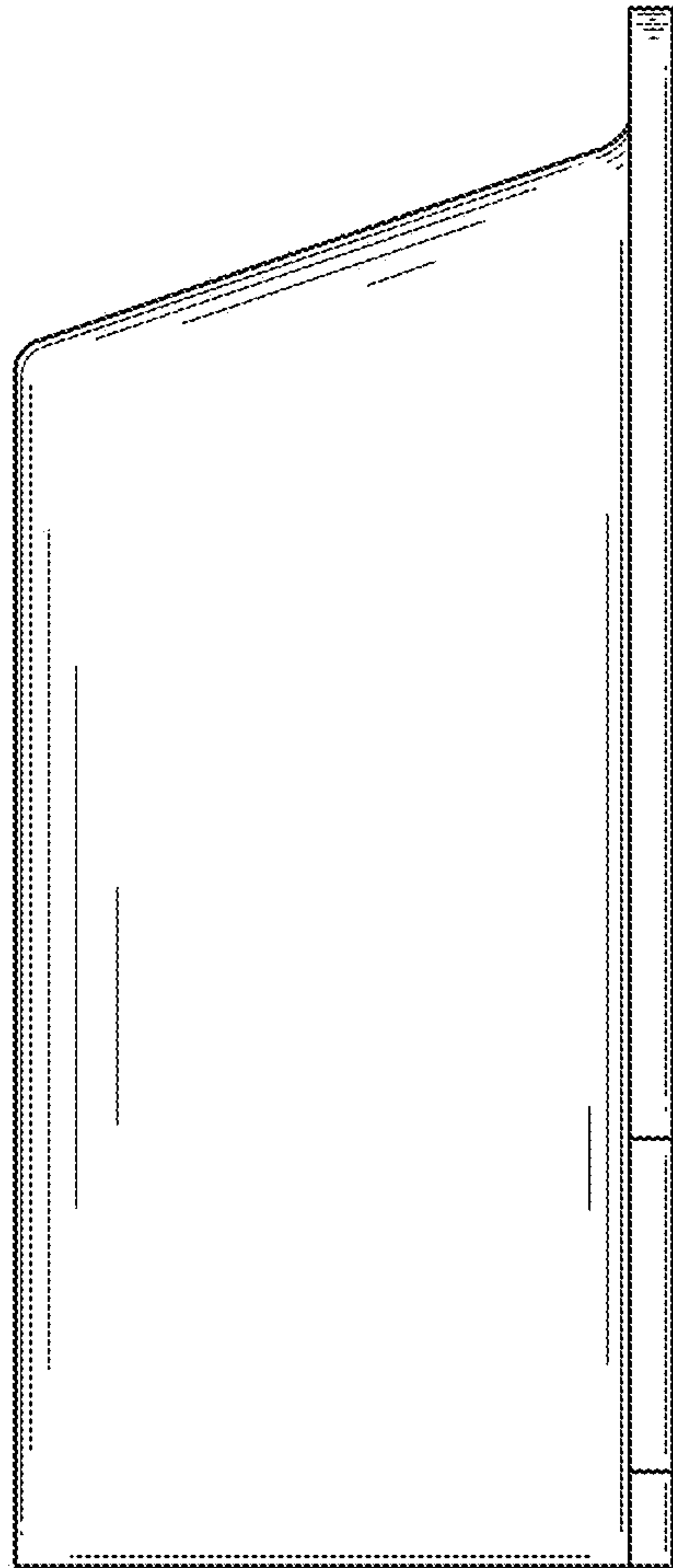


FIG. 9

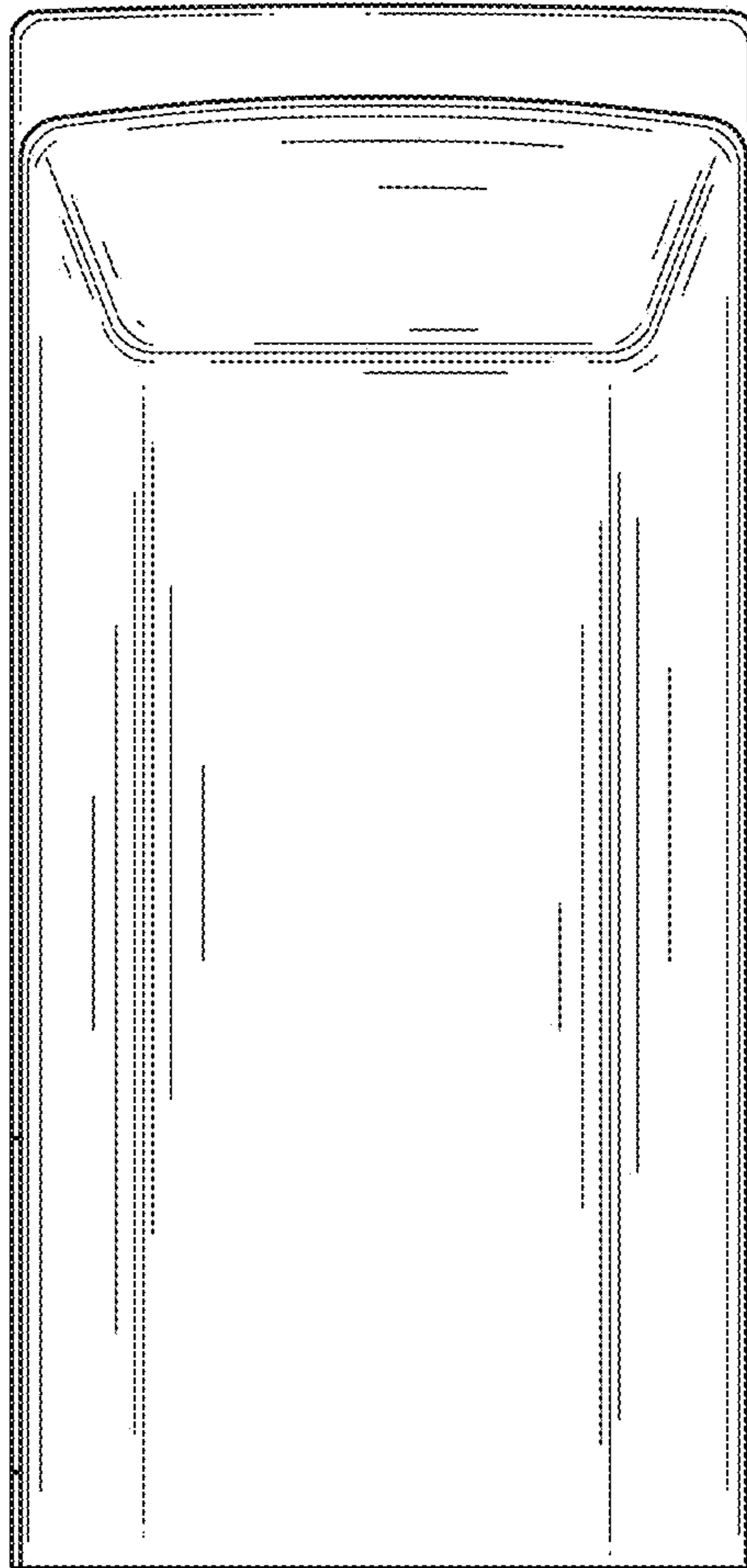


FIG. 10

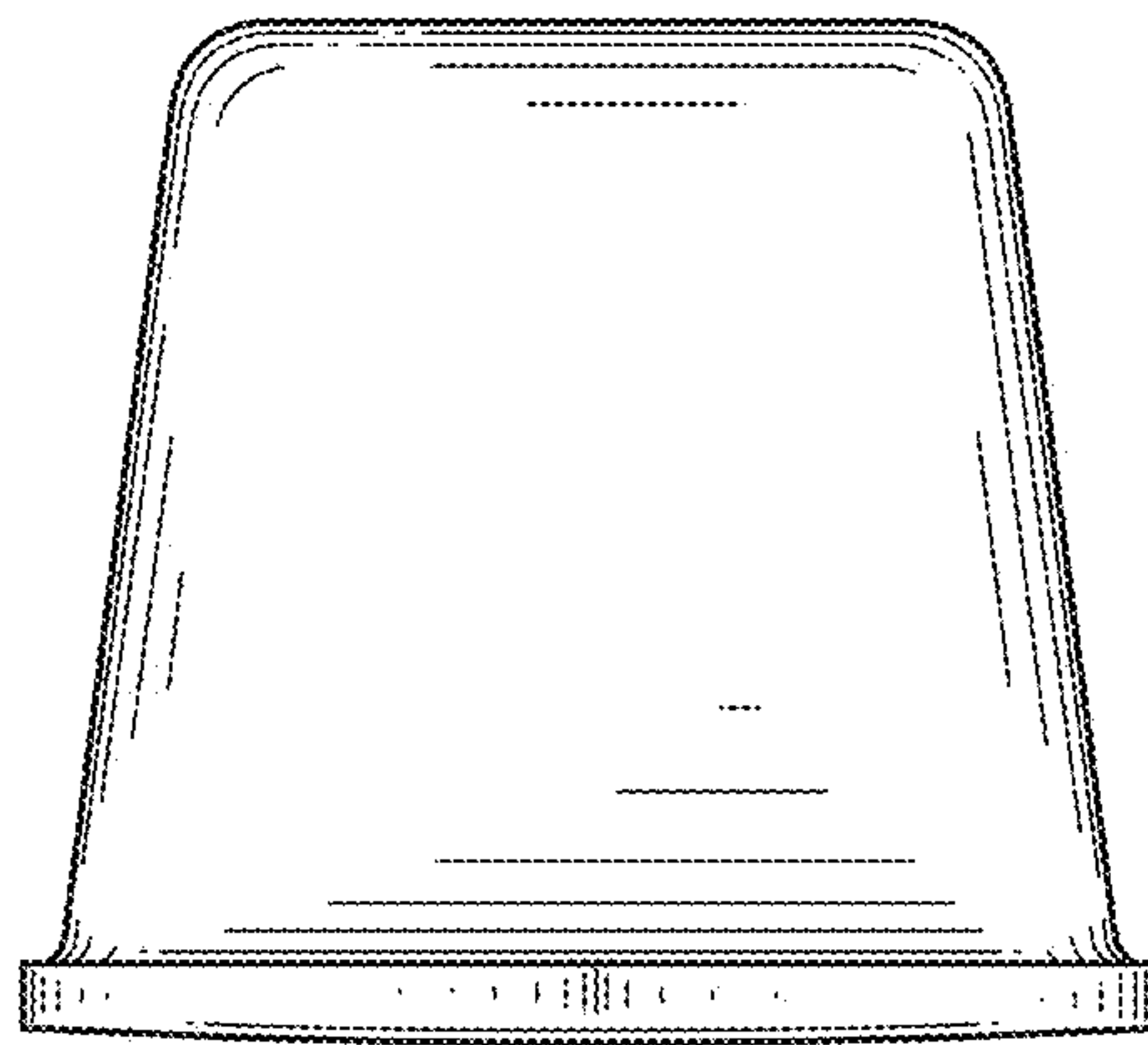


FIG. 11

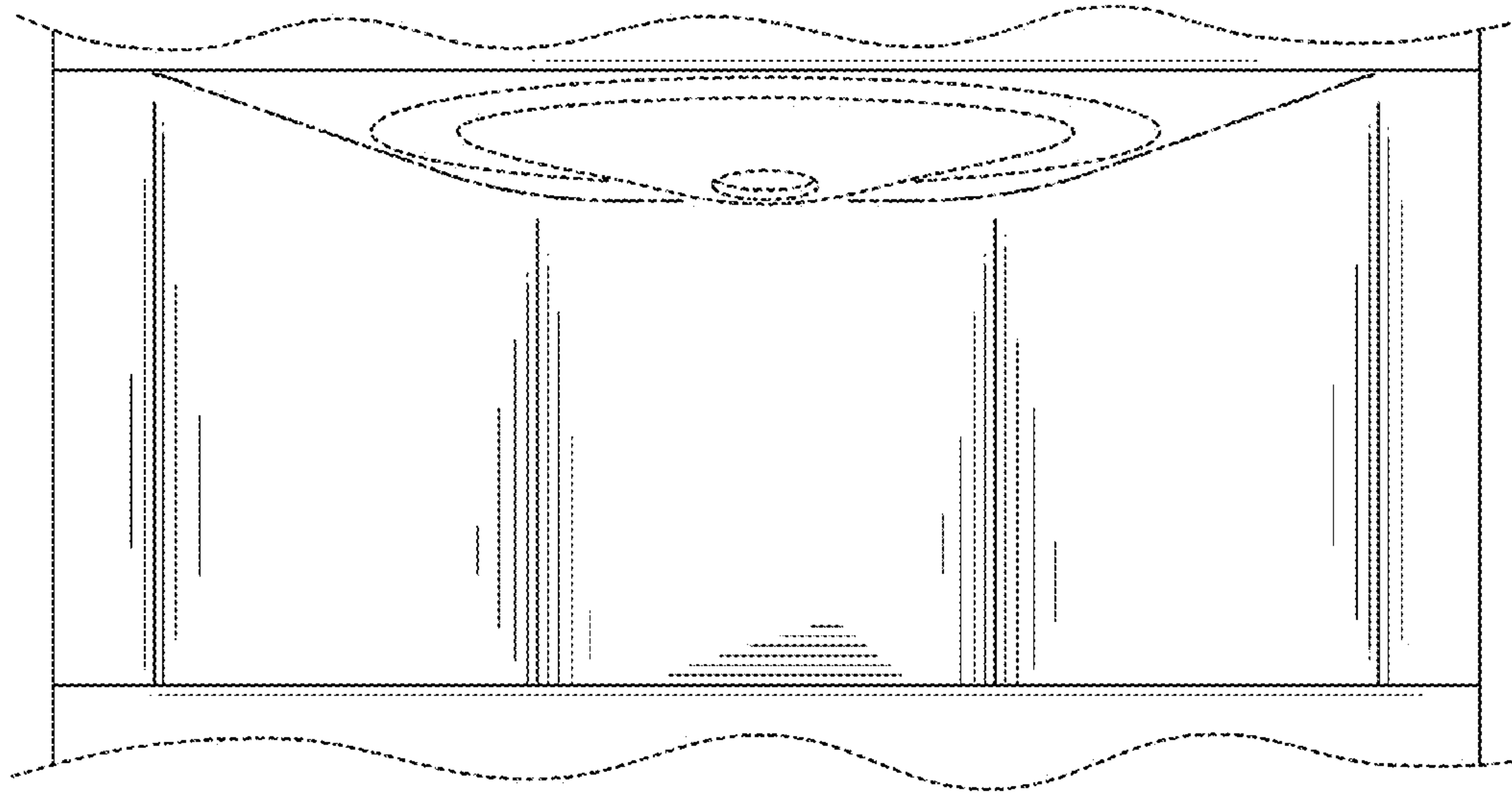


FIG. 12

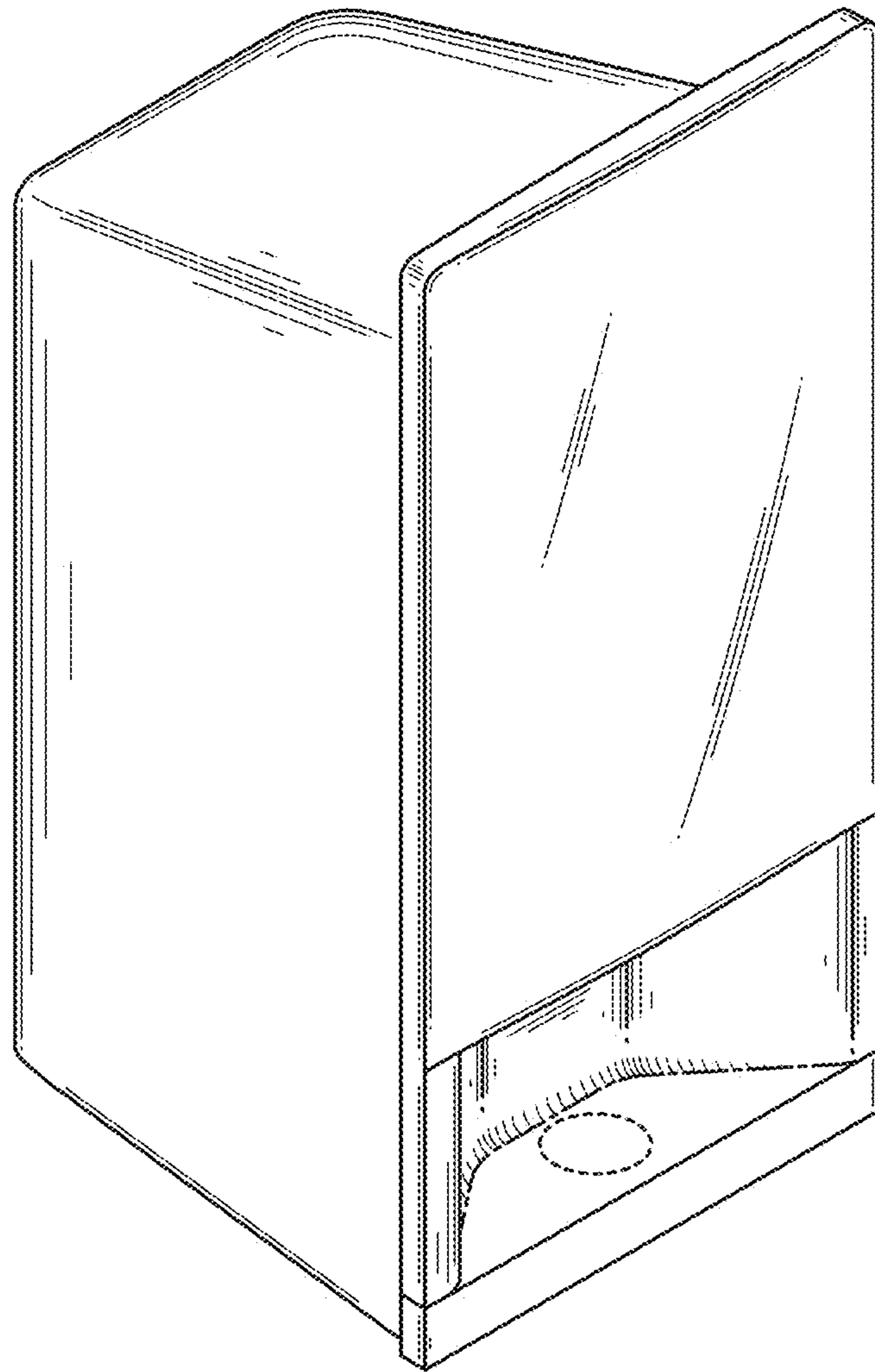


FIG. 13

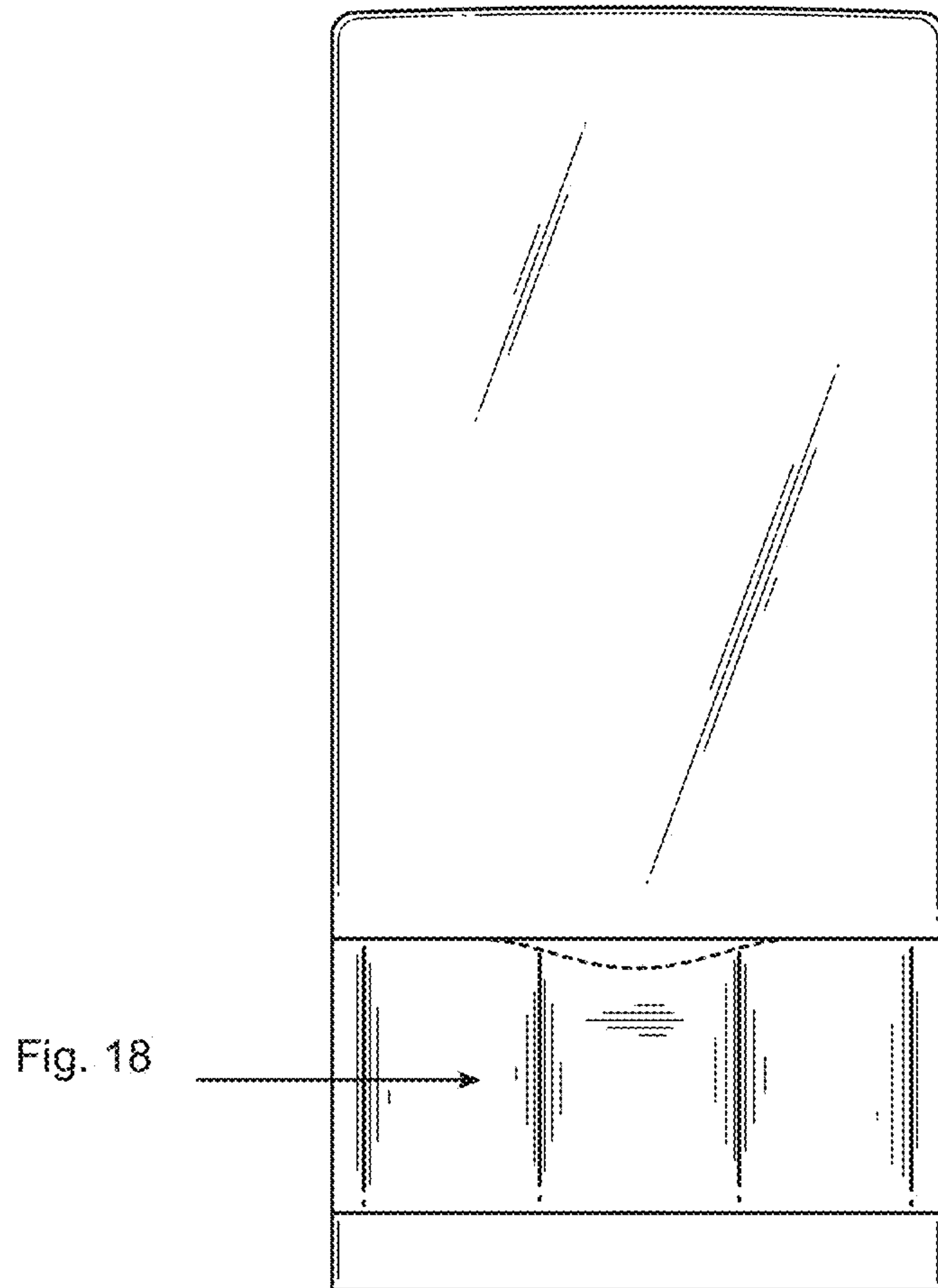


FIG. 14

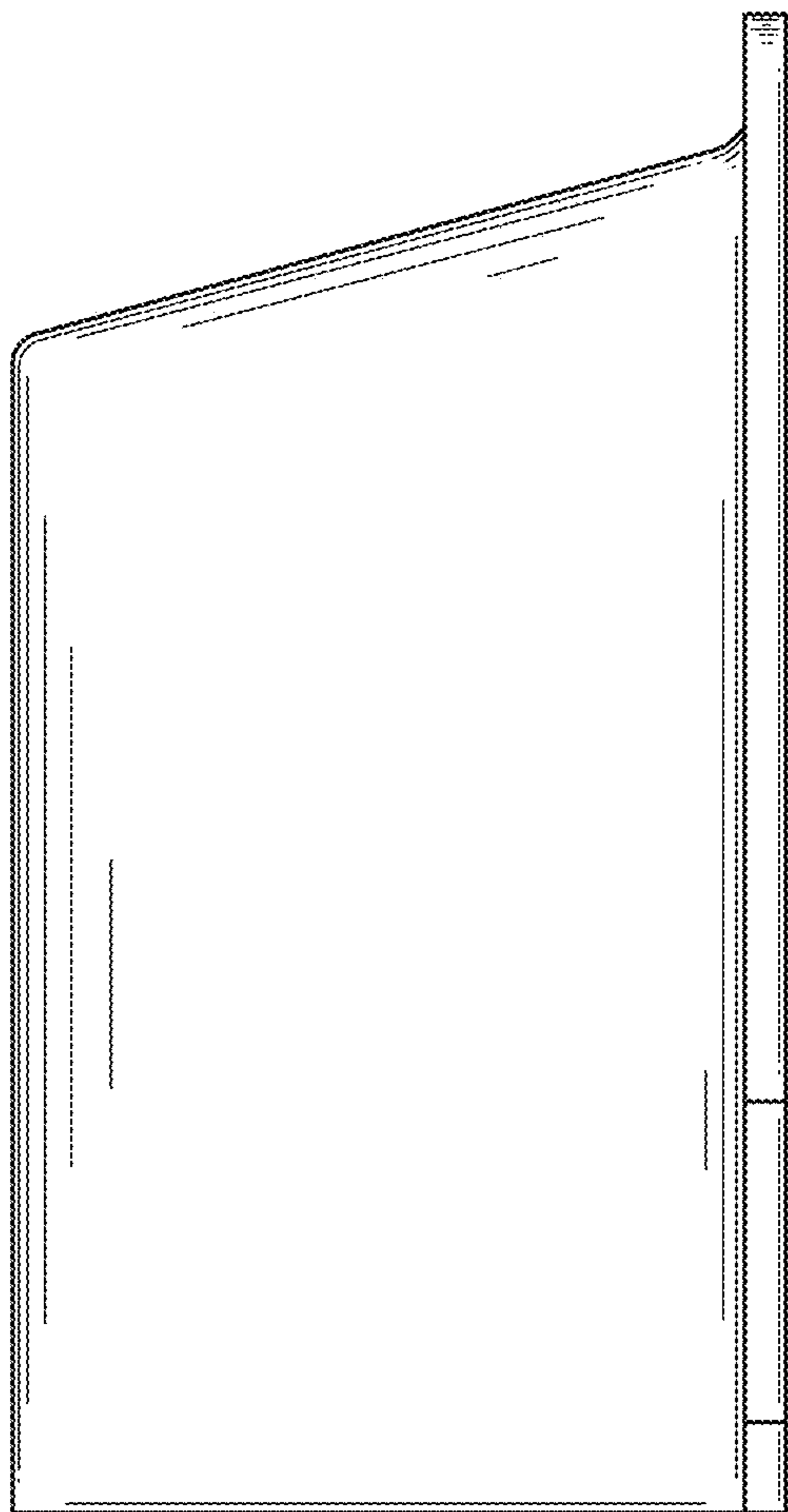


FIG. 15

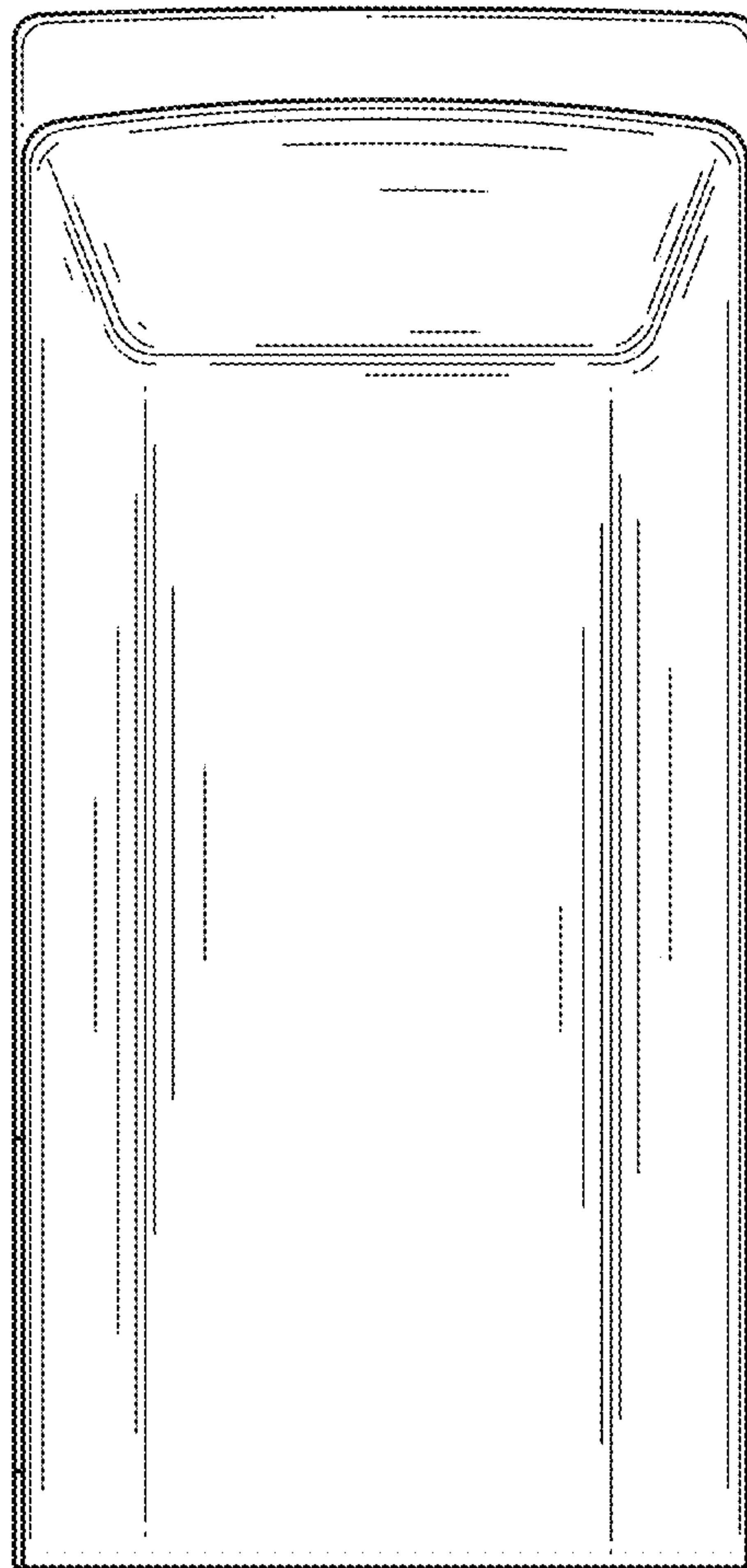


FIG. 16

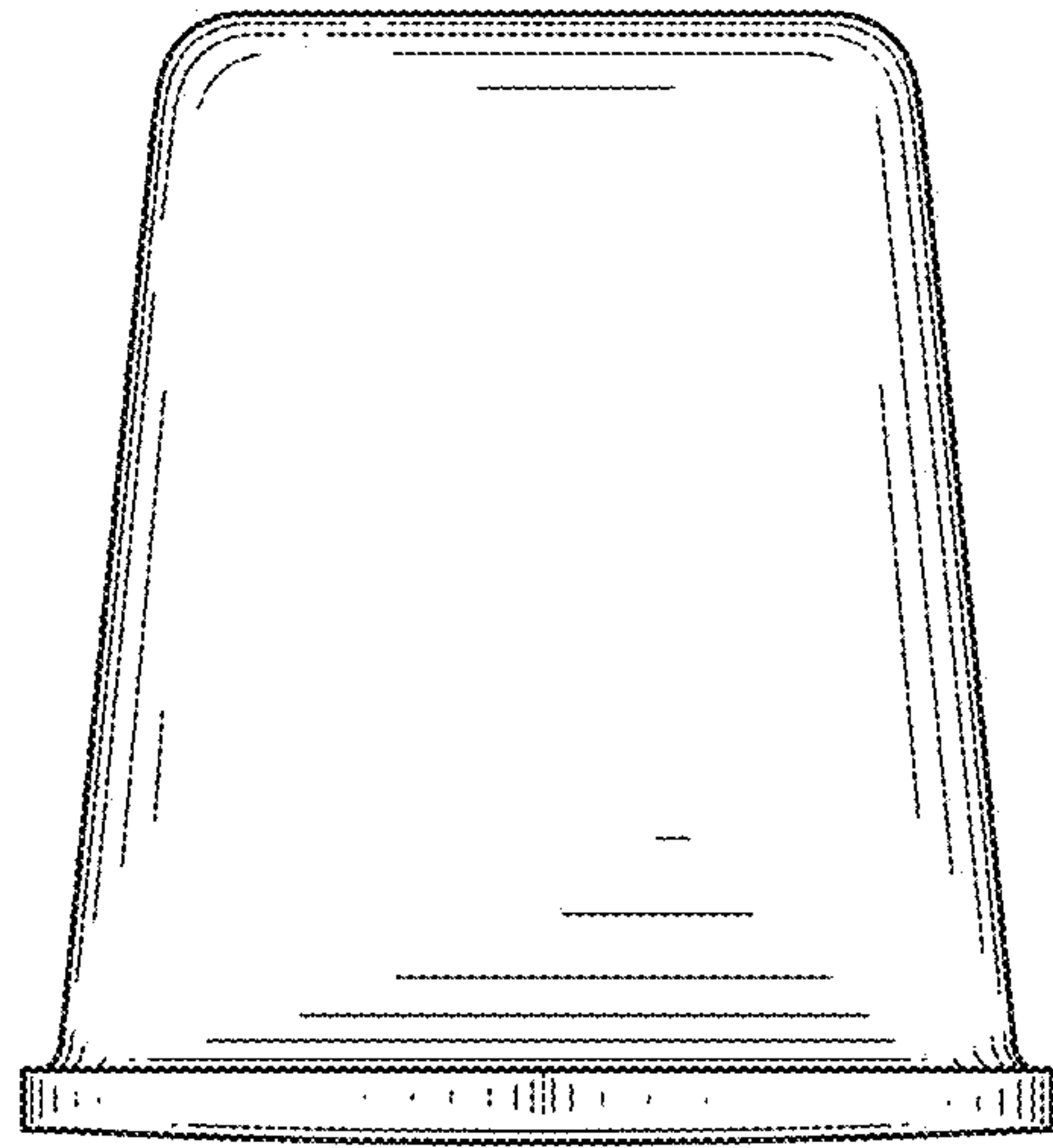


FIG. 17

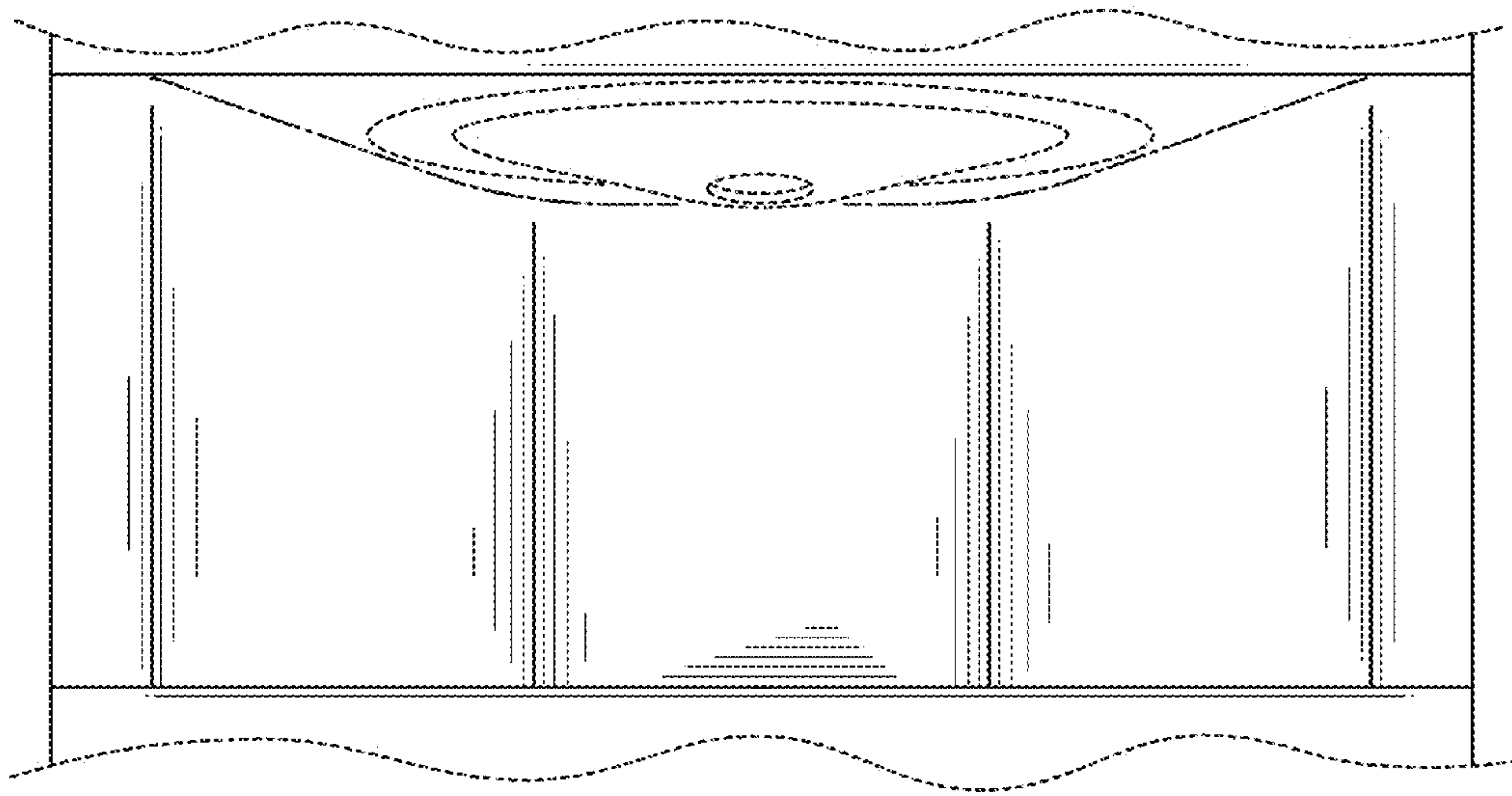


FIG. 18

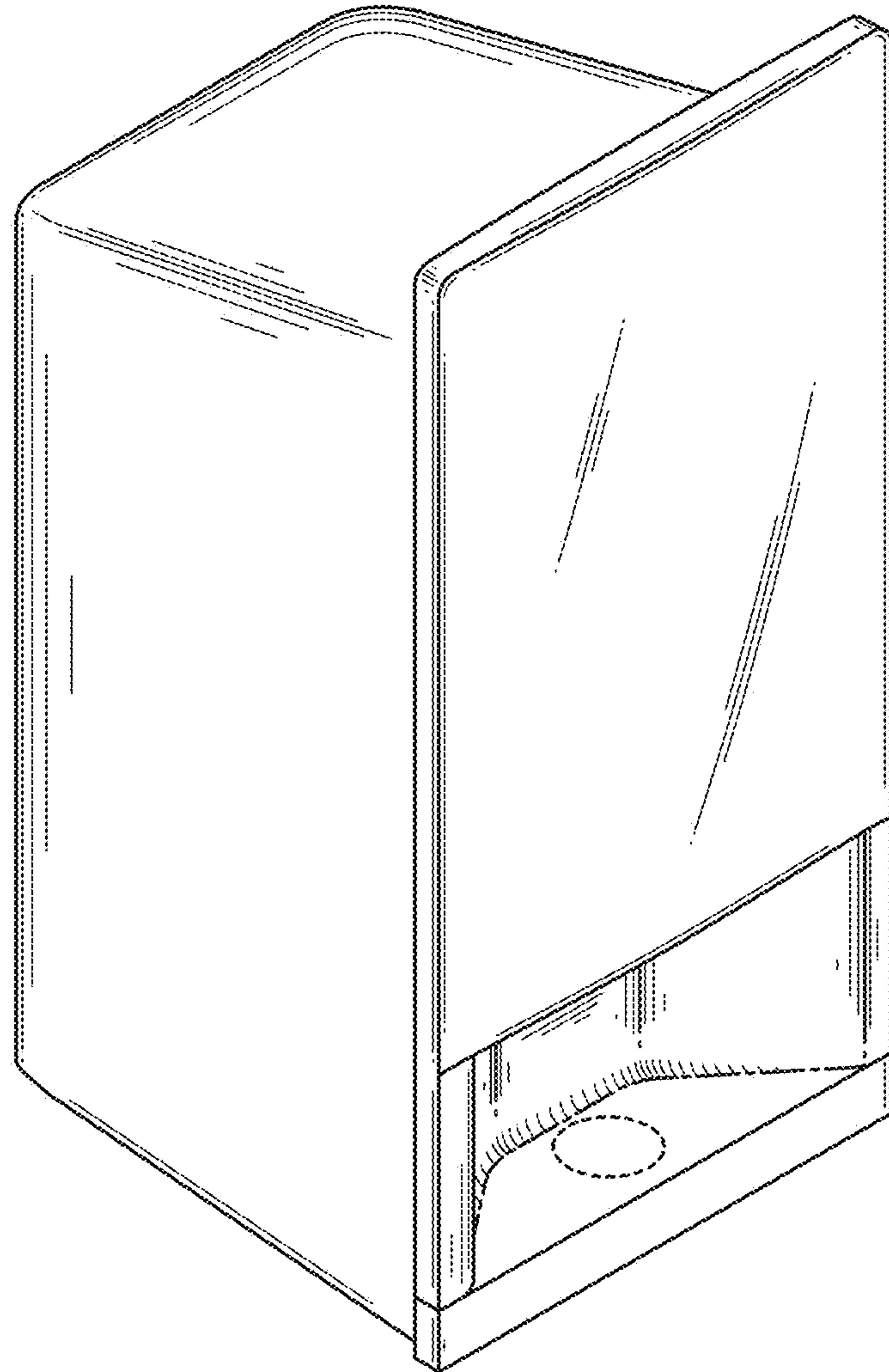


FIG. 19

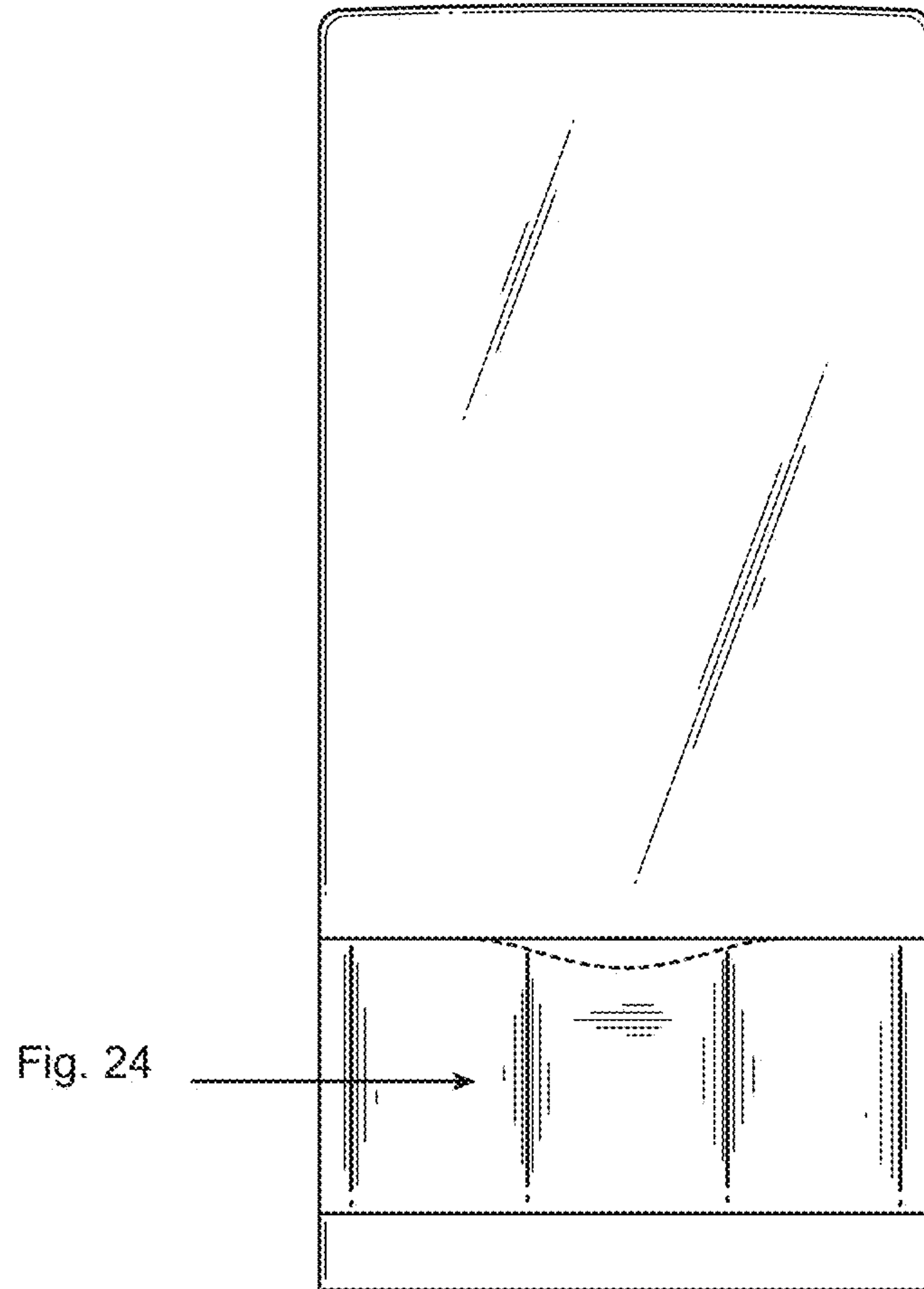


FIG. 20

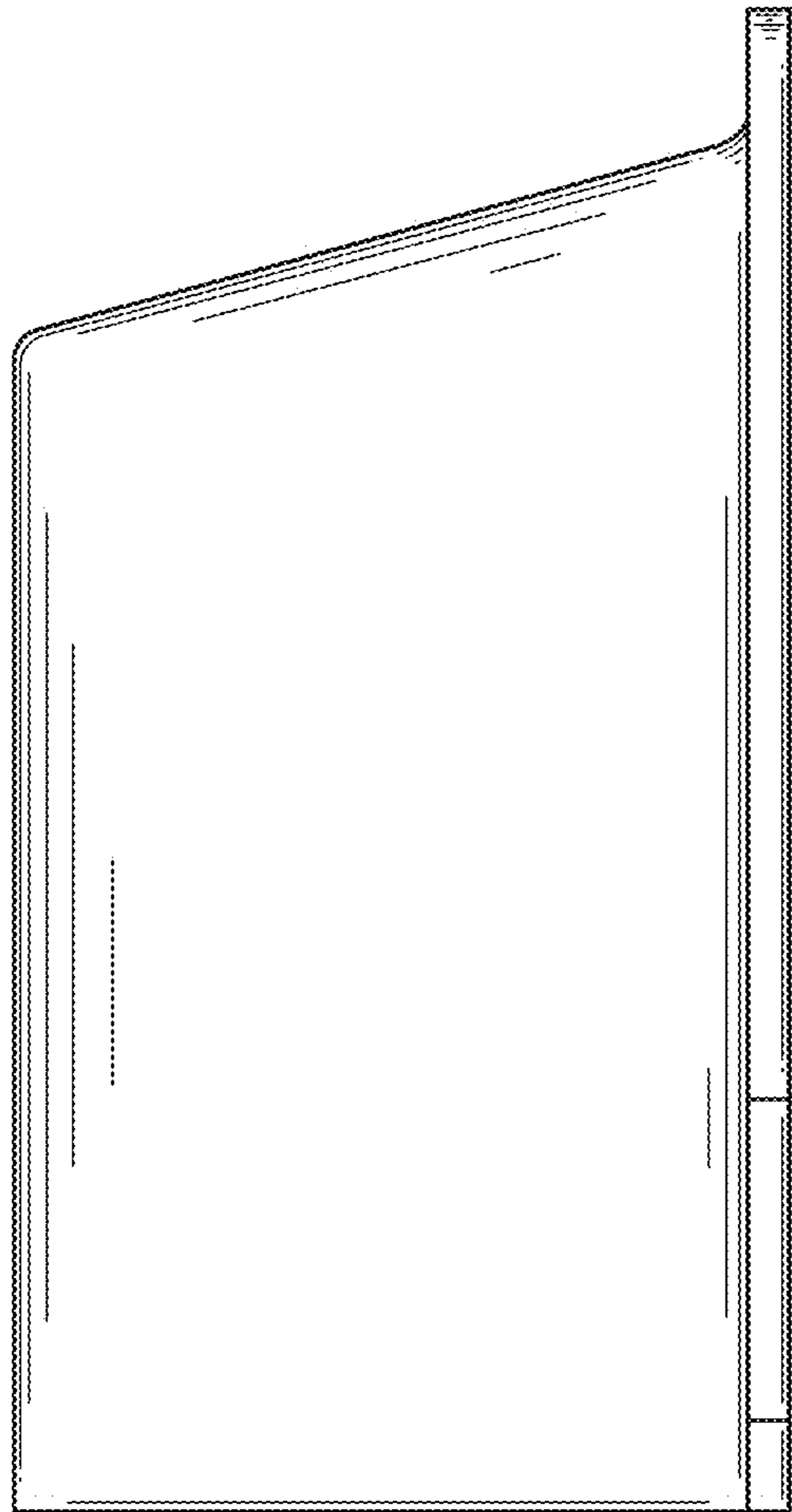


FIG. 21

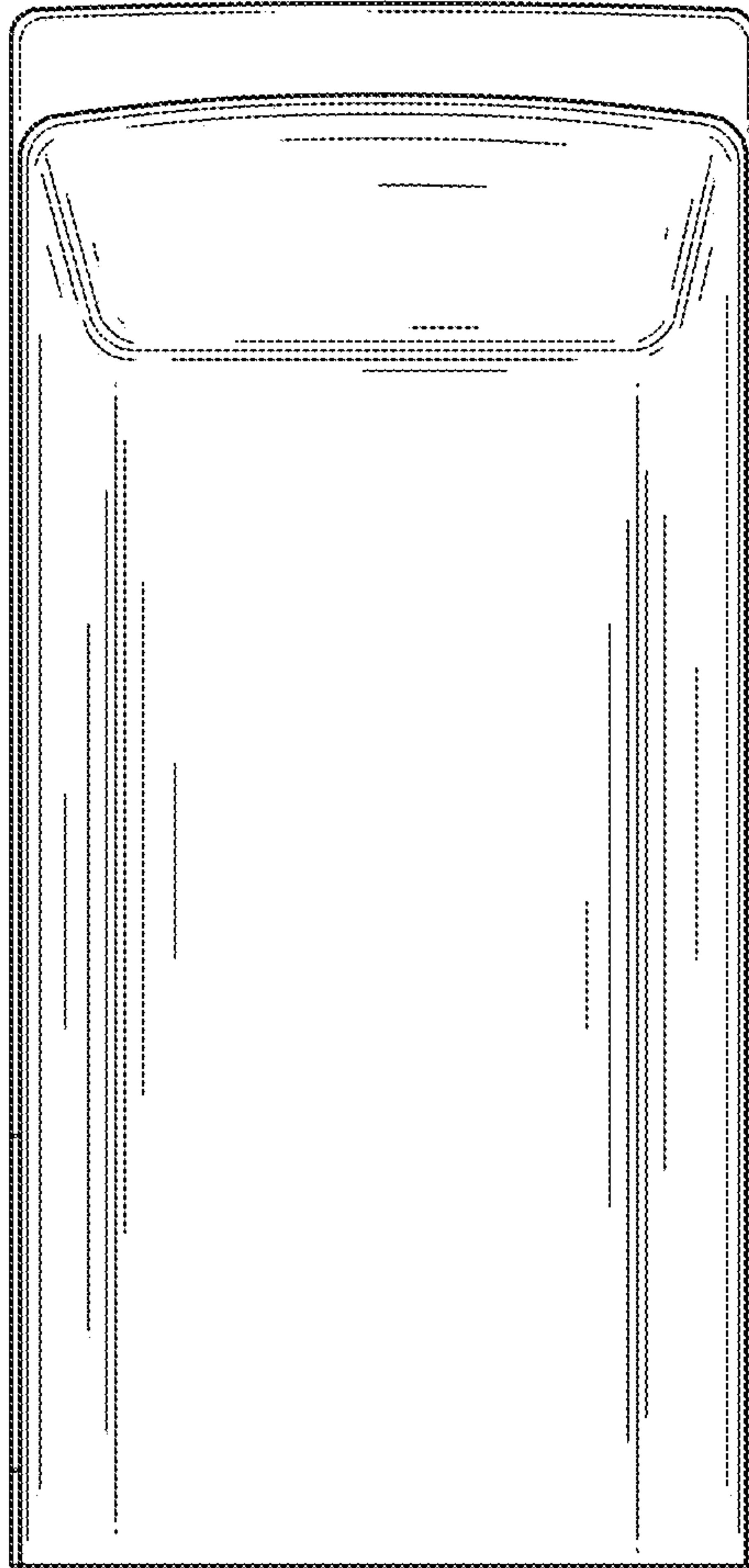


FIG. 22

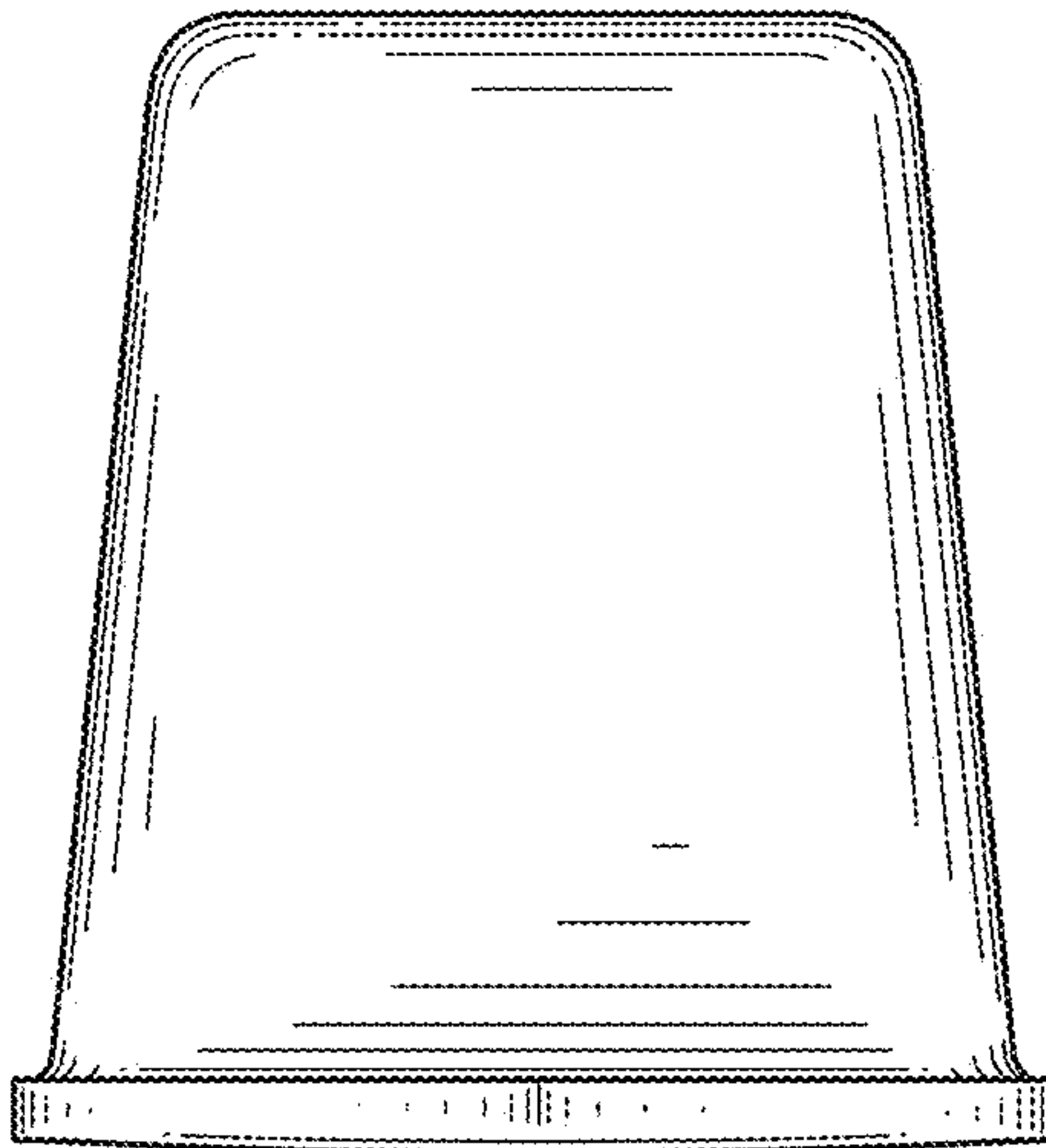


FIG. 23

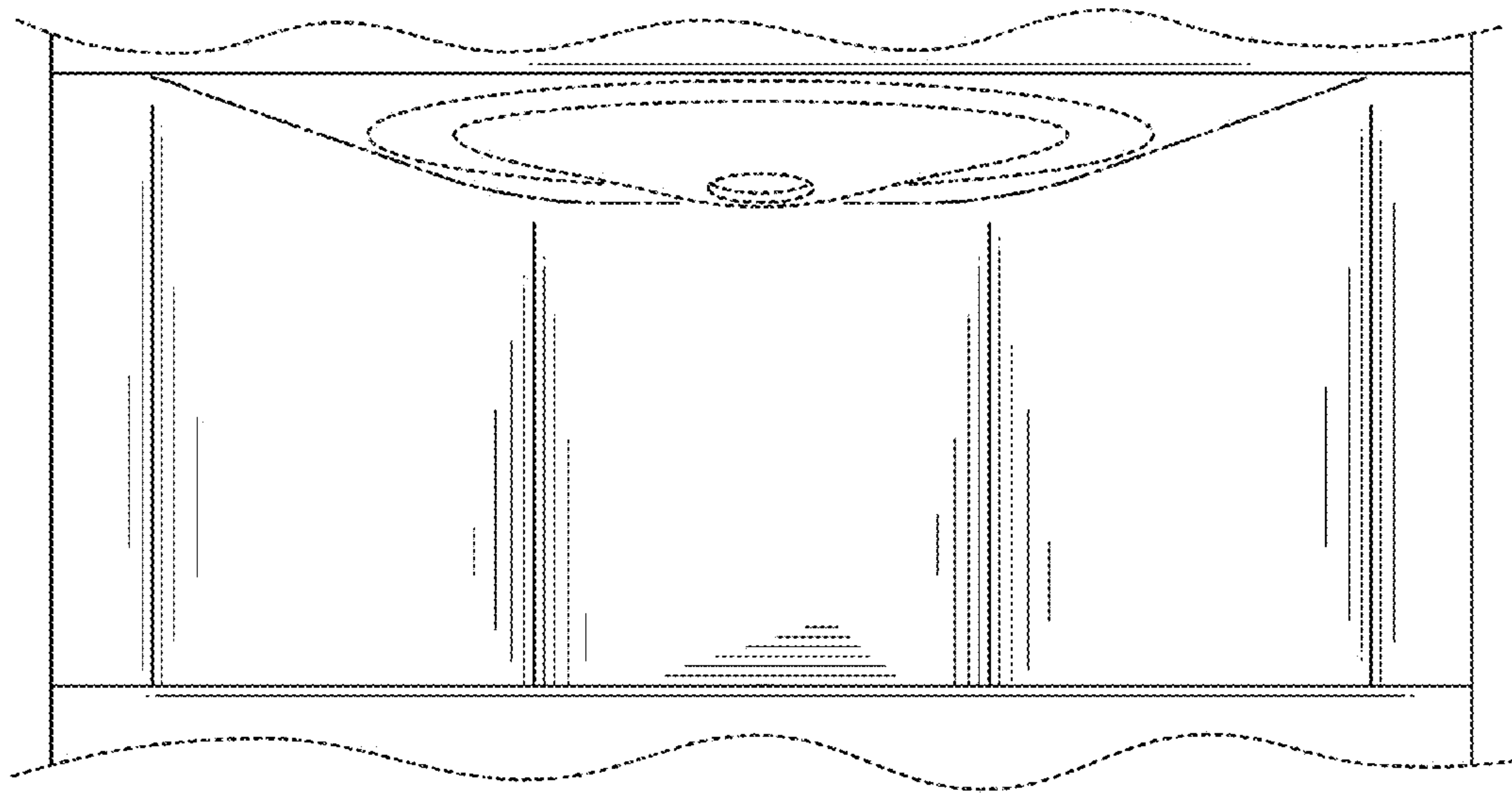


FIG. 24

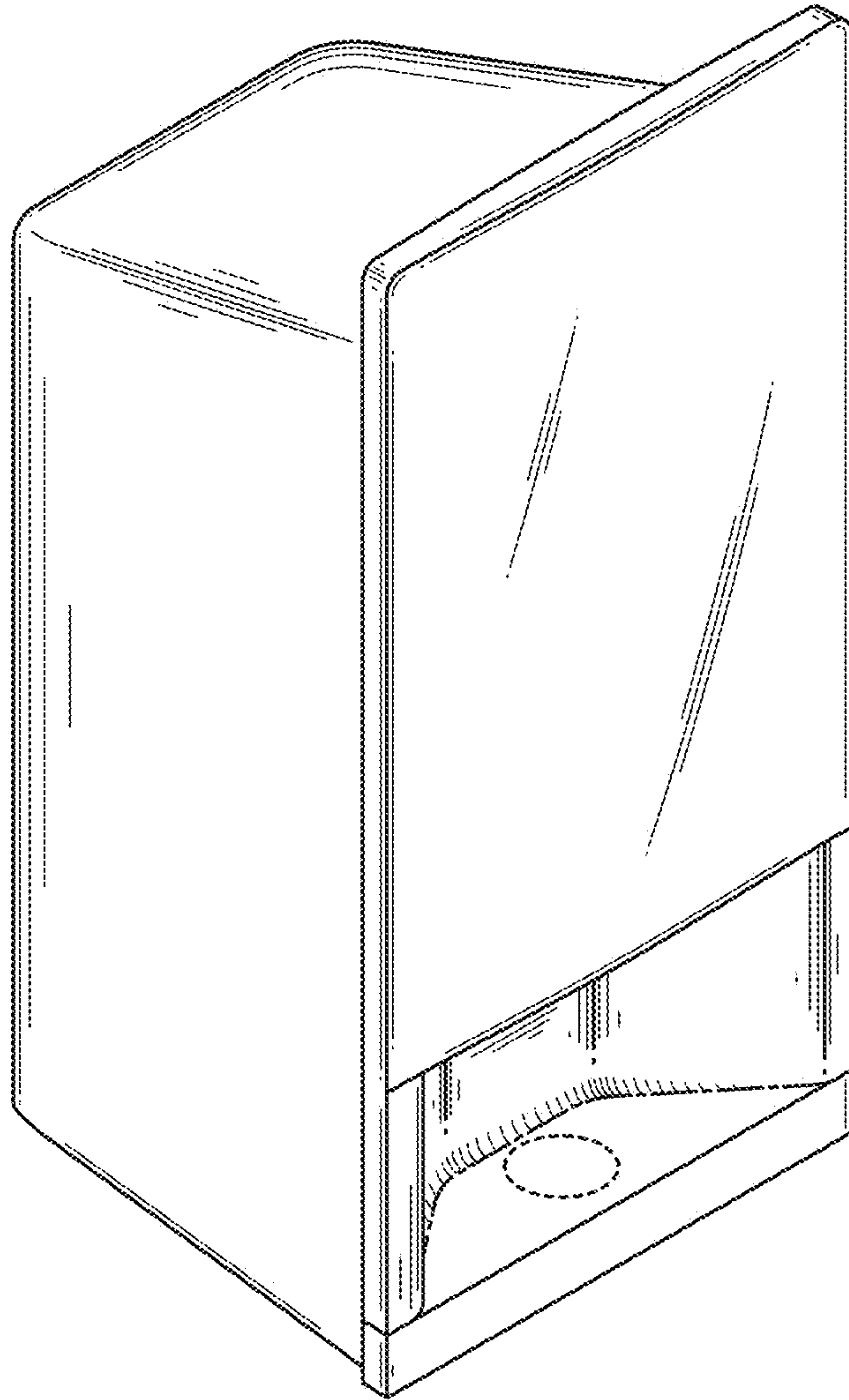


FIG. 25

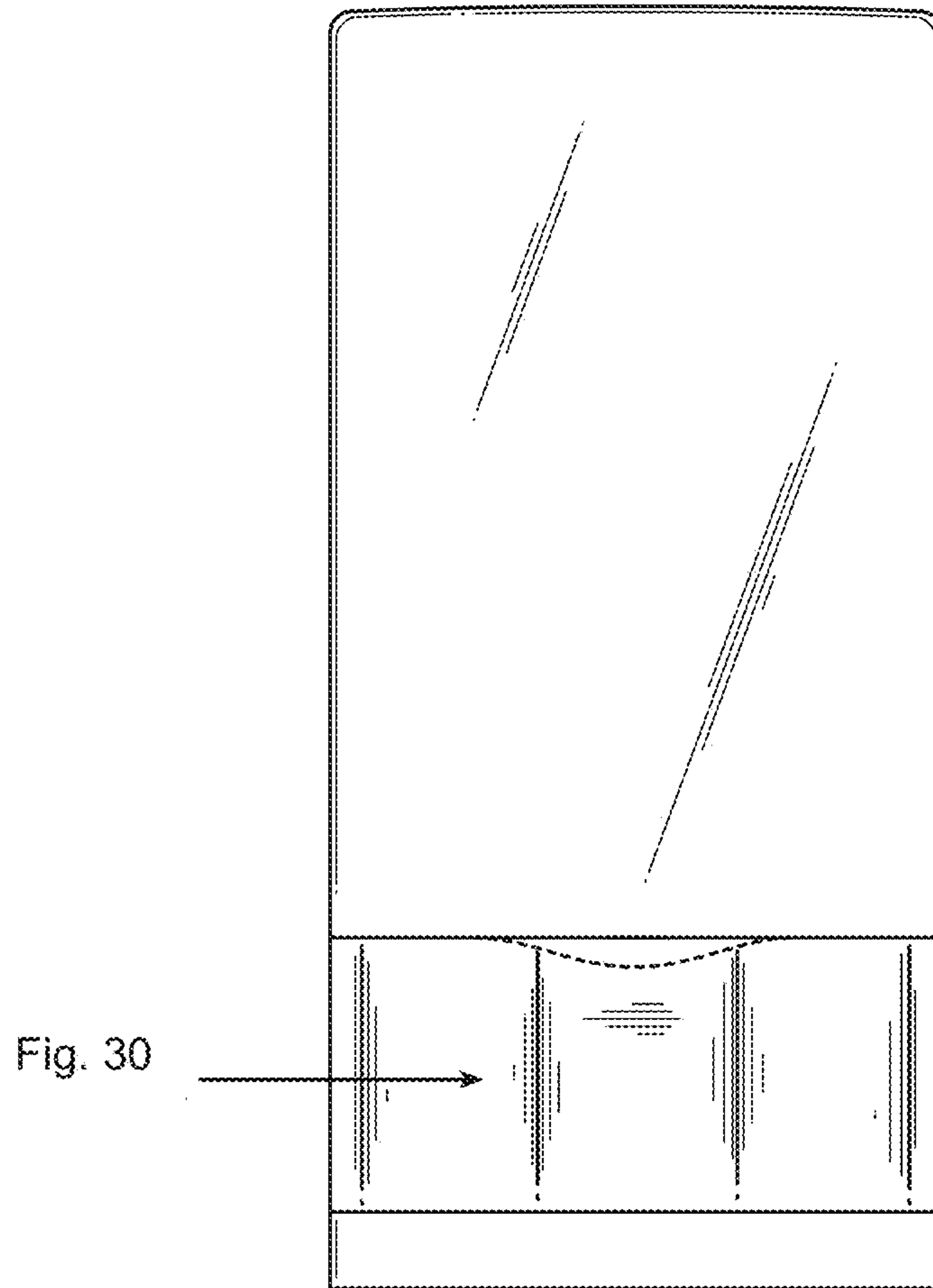


FIG. 26

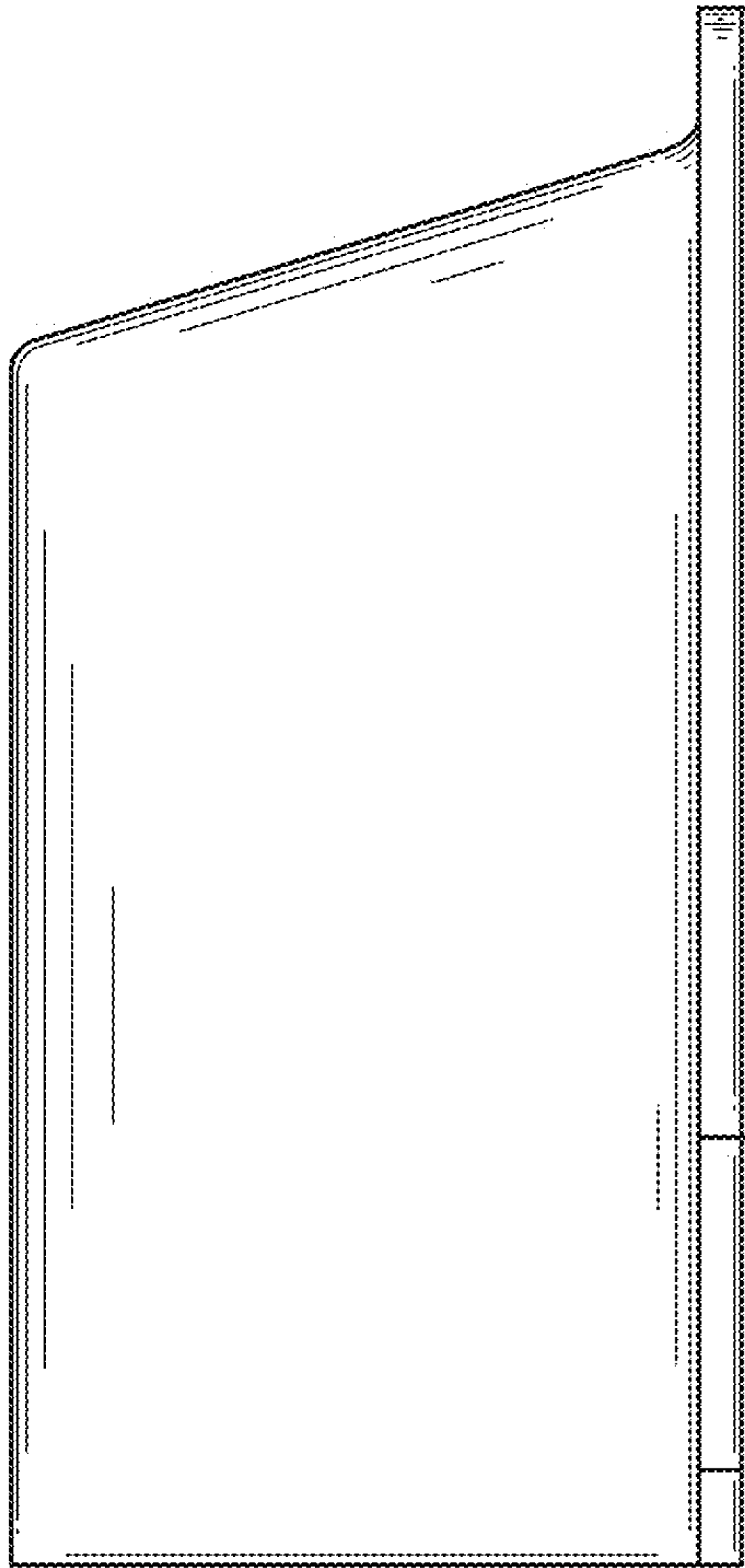


FIG. 27

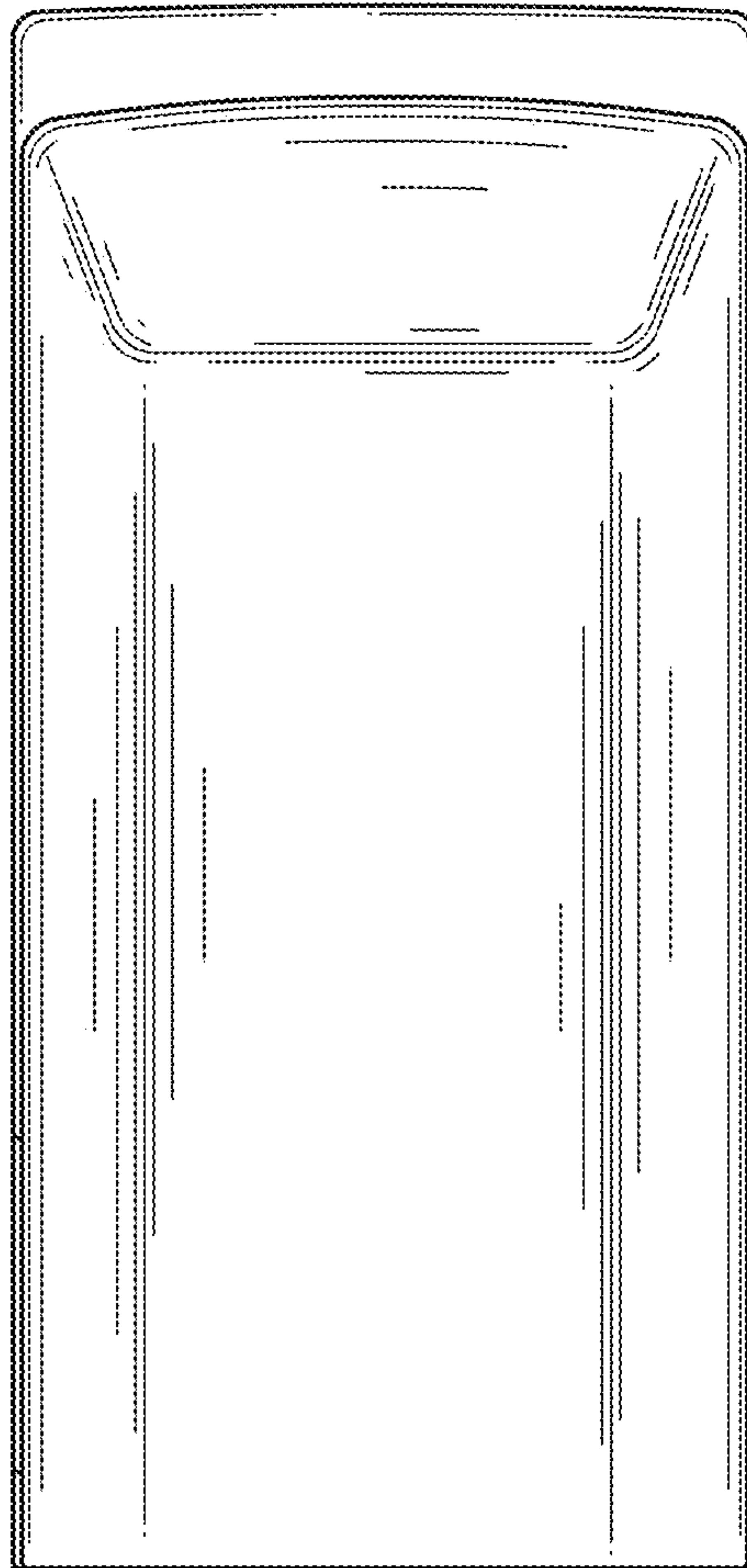


FIG. 28

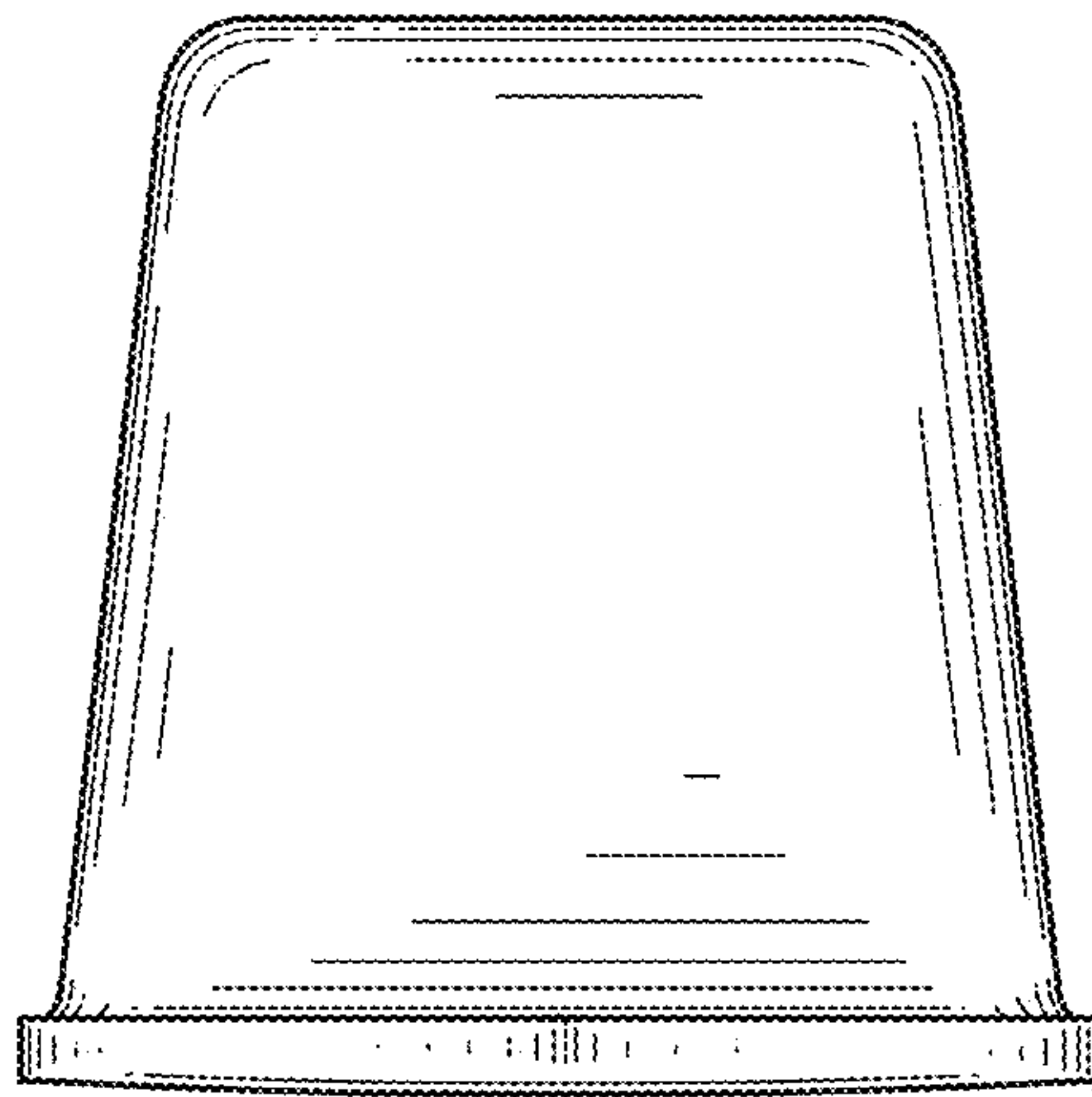


FIG. 29

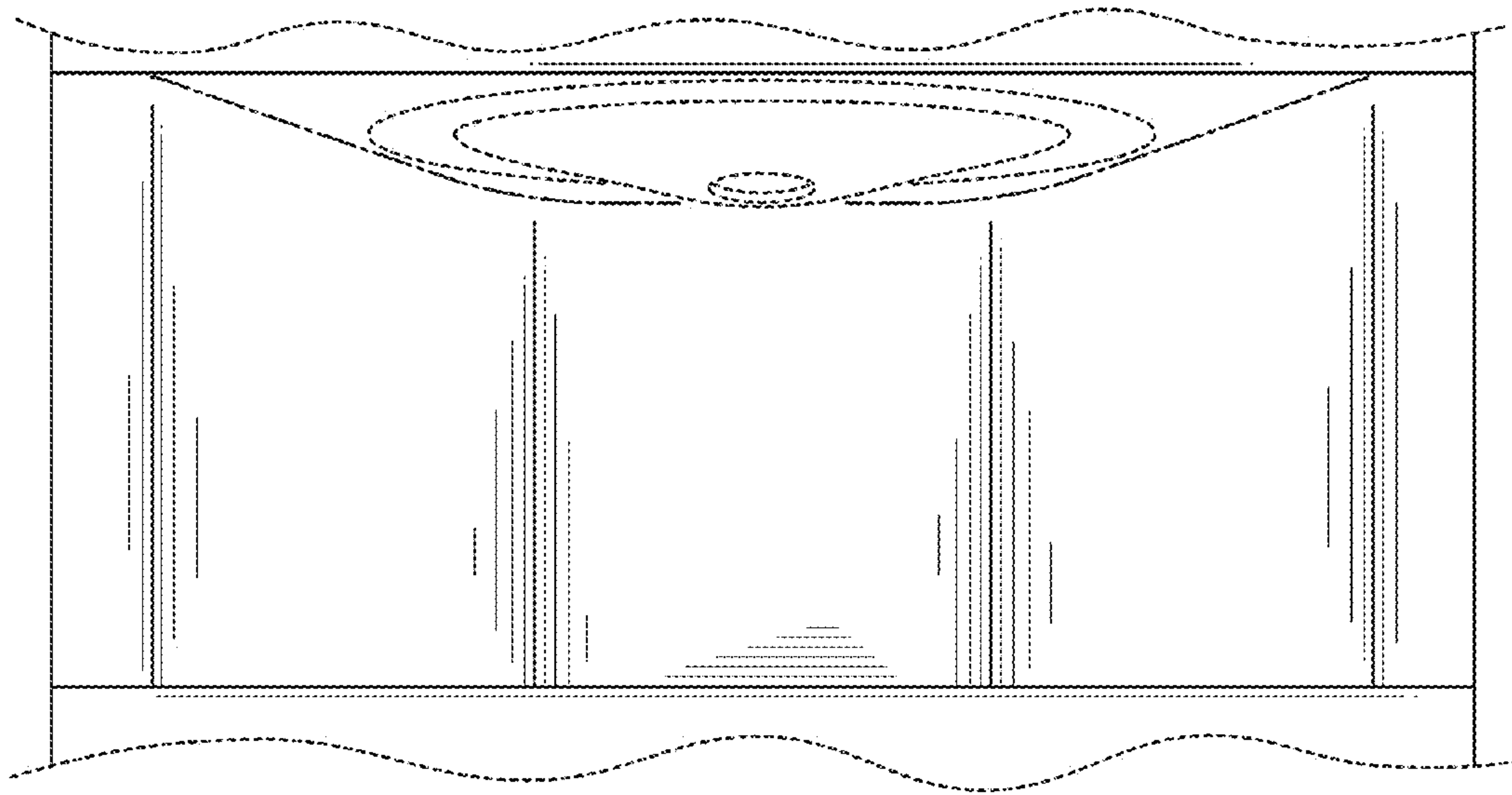


FIG. 30

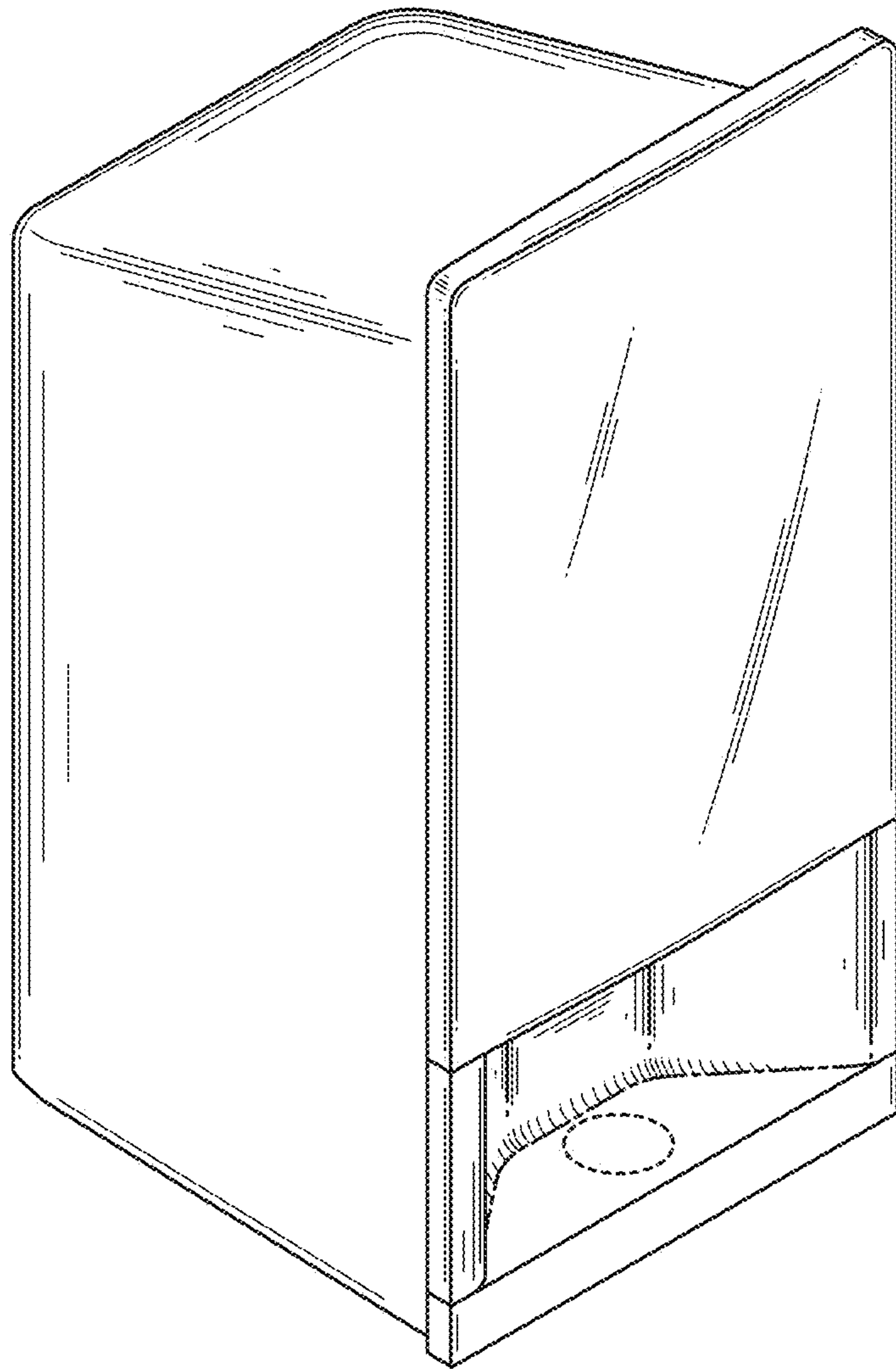


FIG. 31

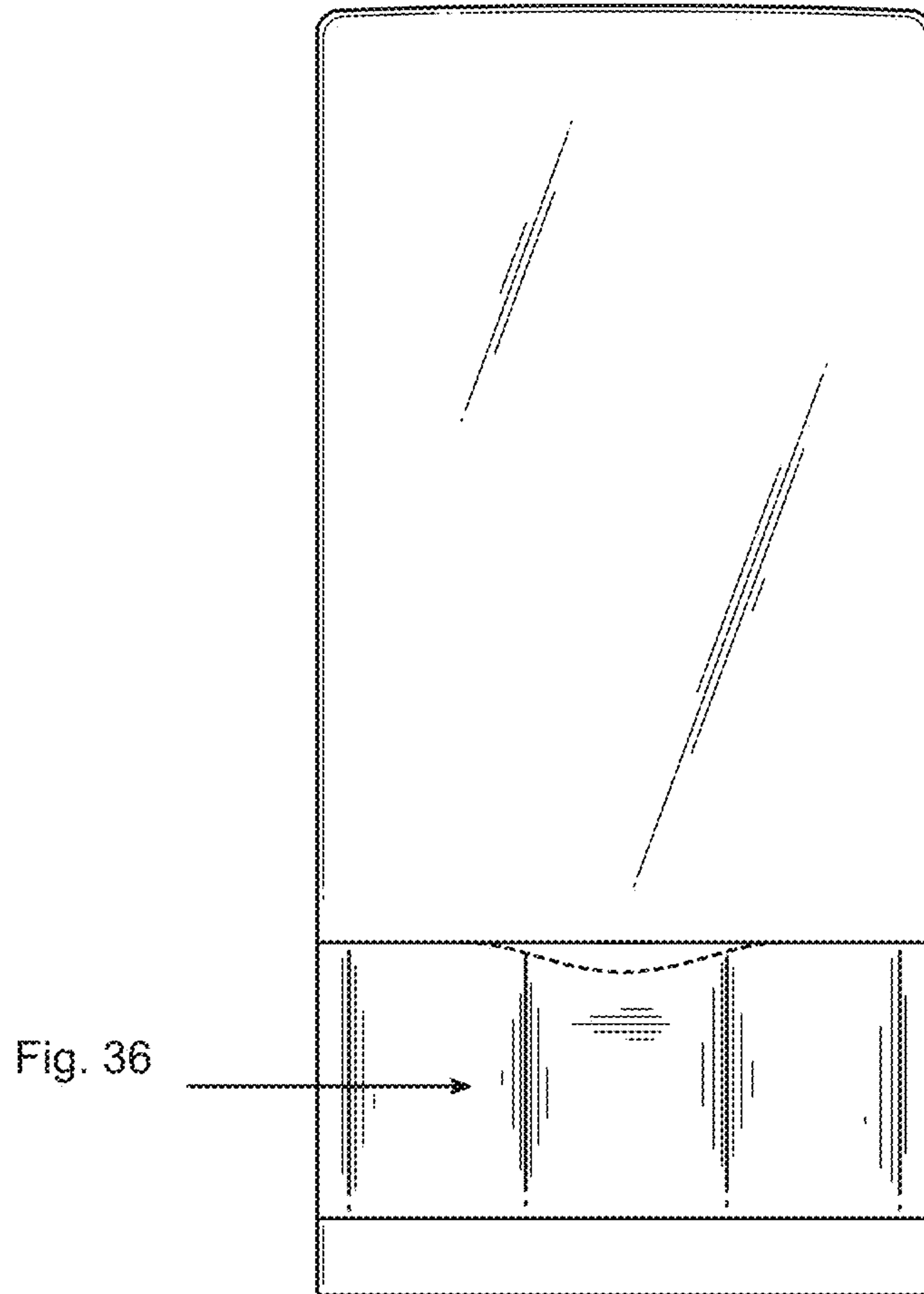


FIG. 32

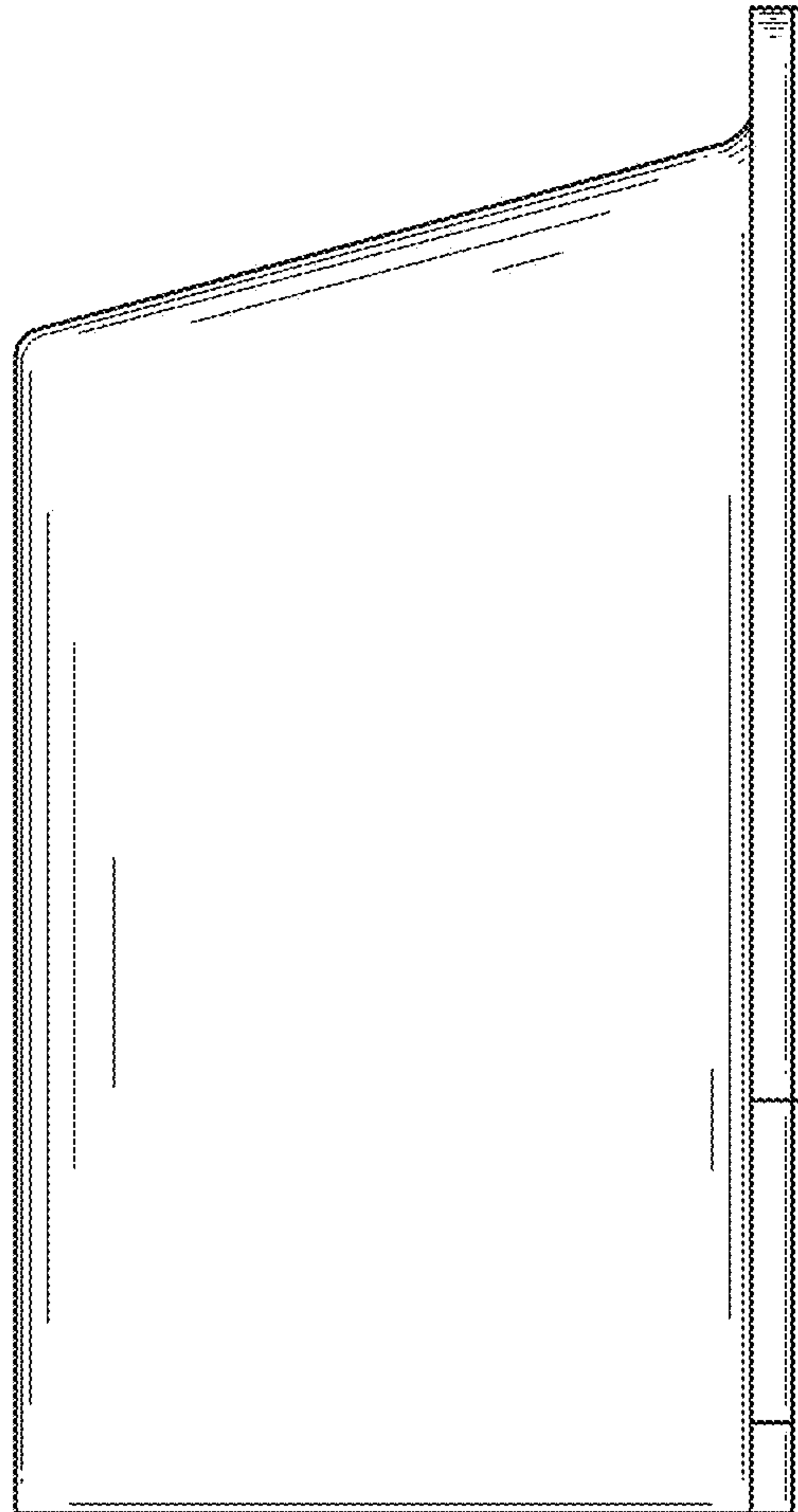


FIG. 33

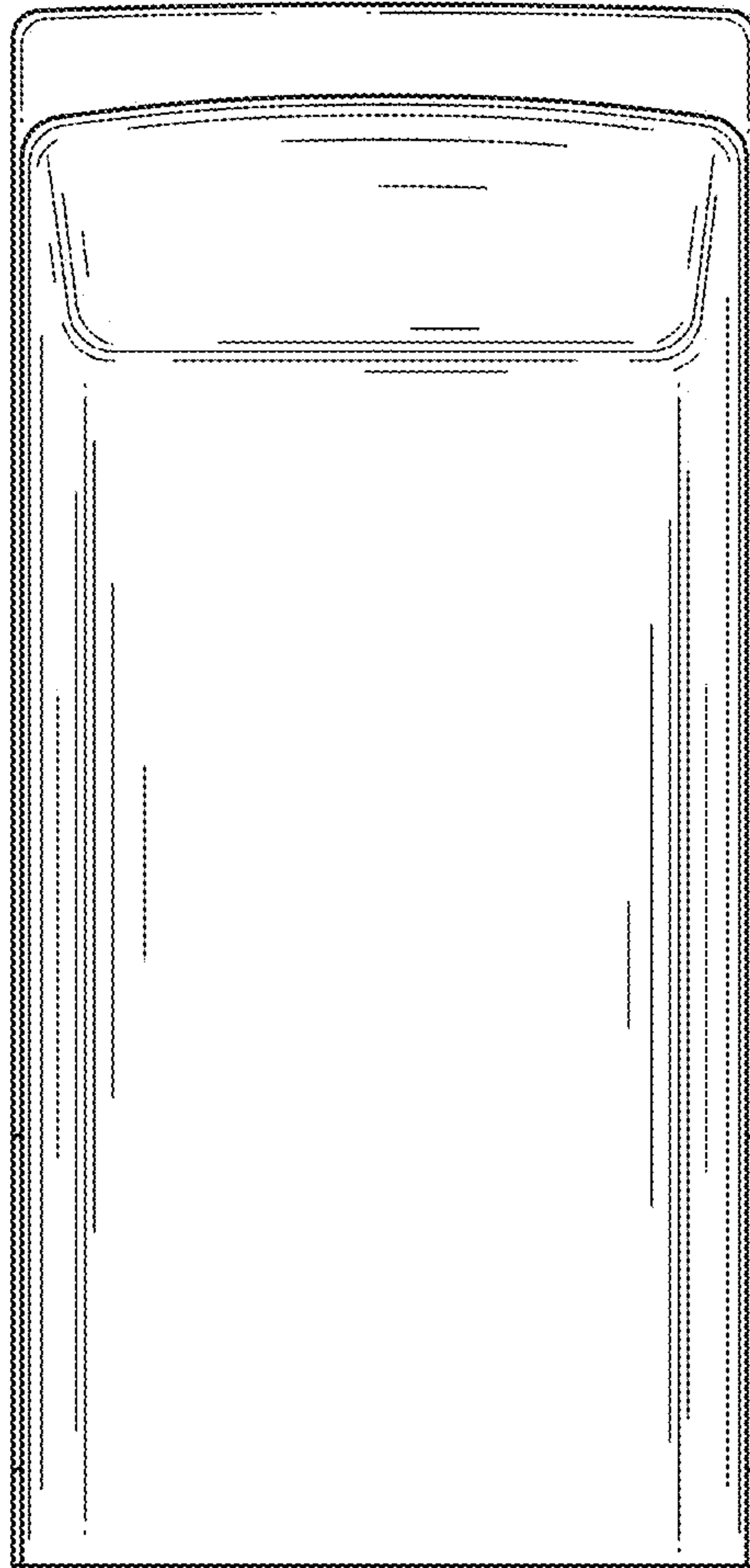


FIG. 34

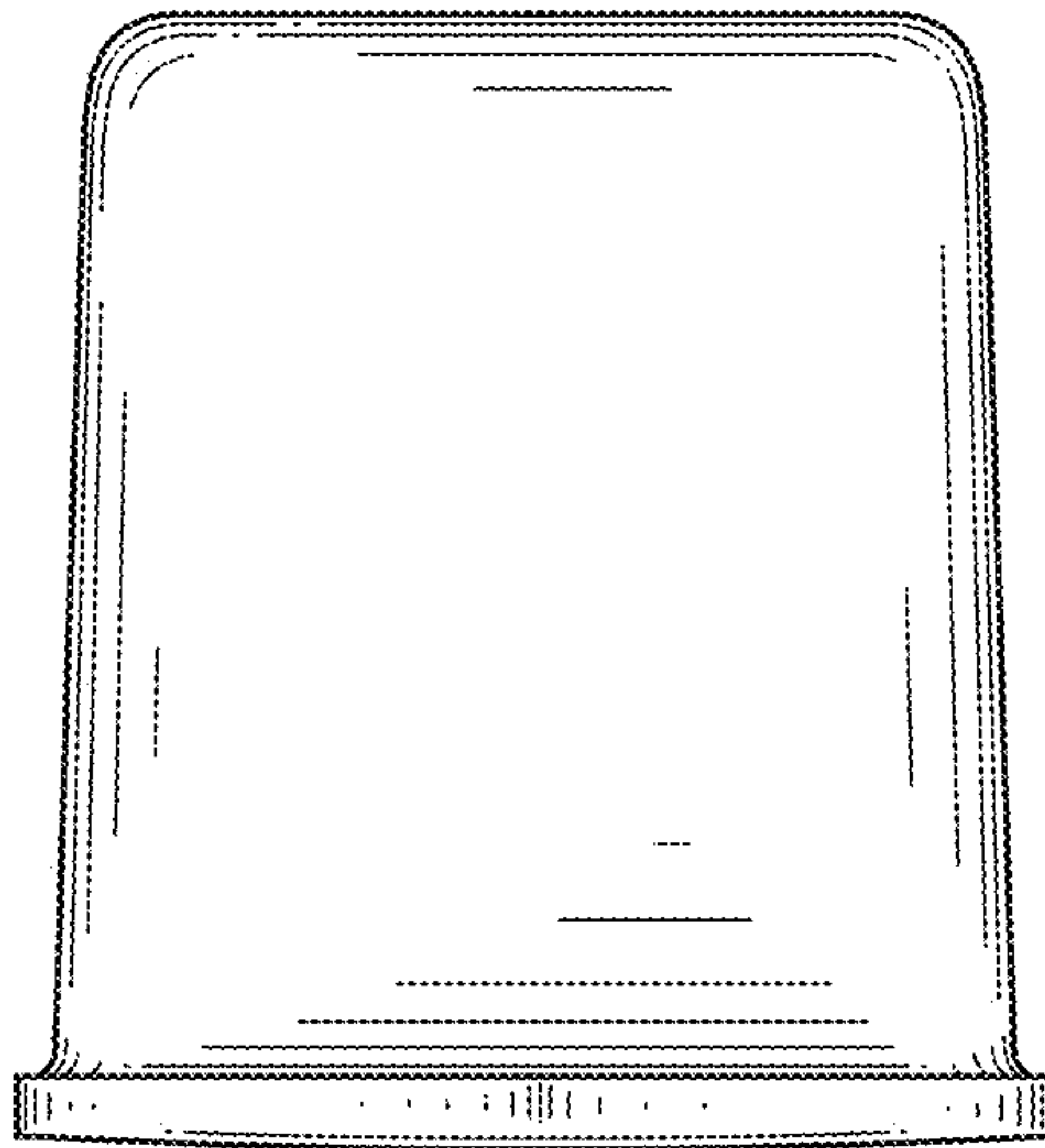


FIG. 35

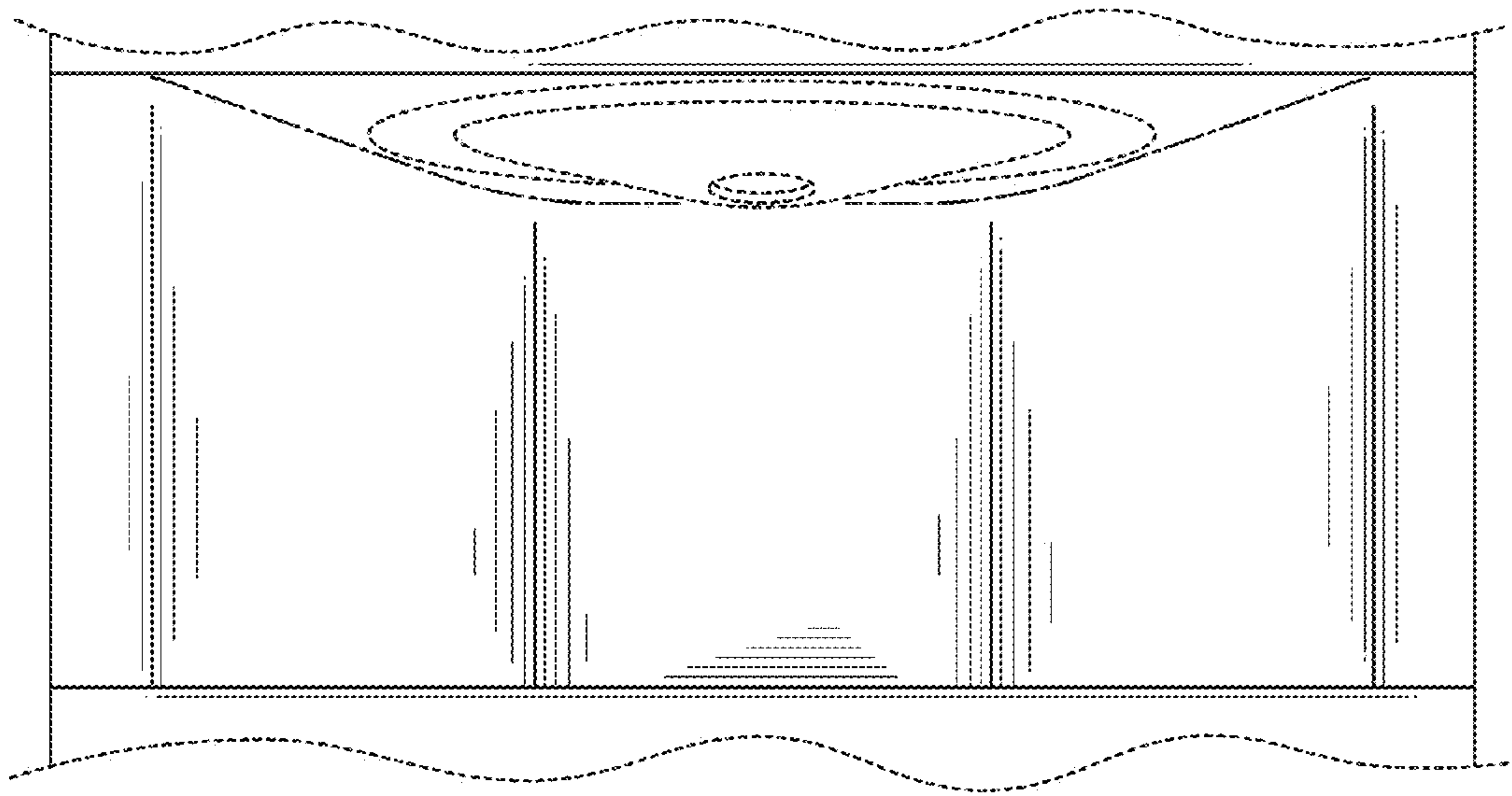


FIG. 36

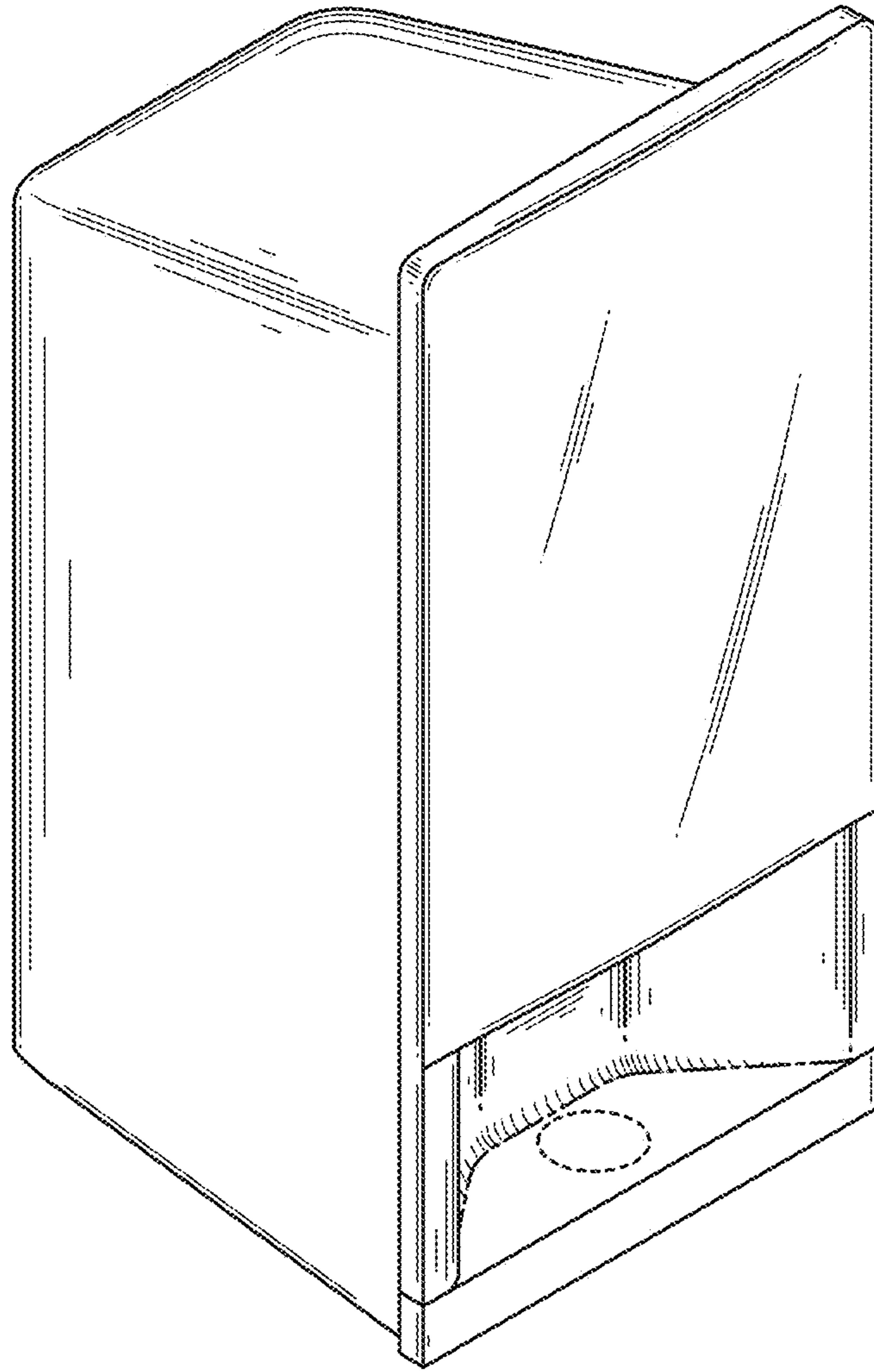


FIG. 37

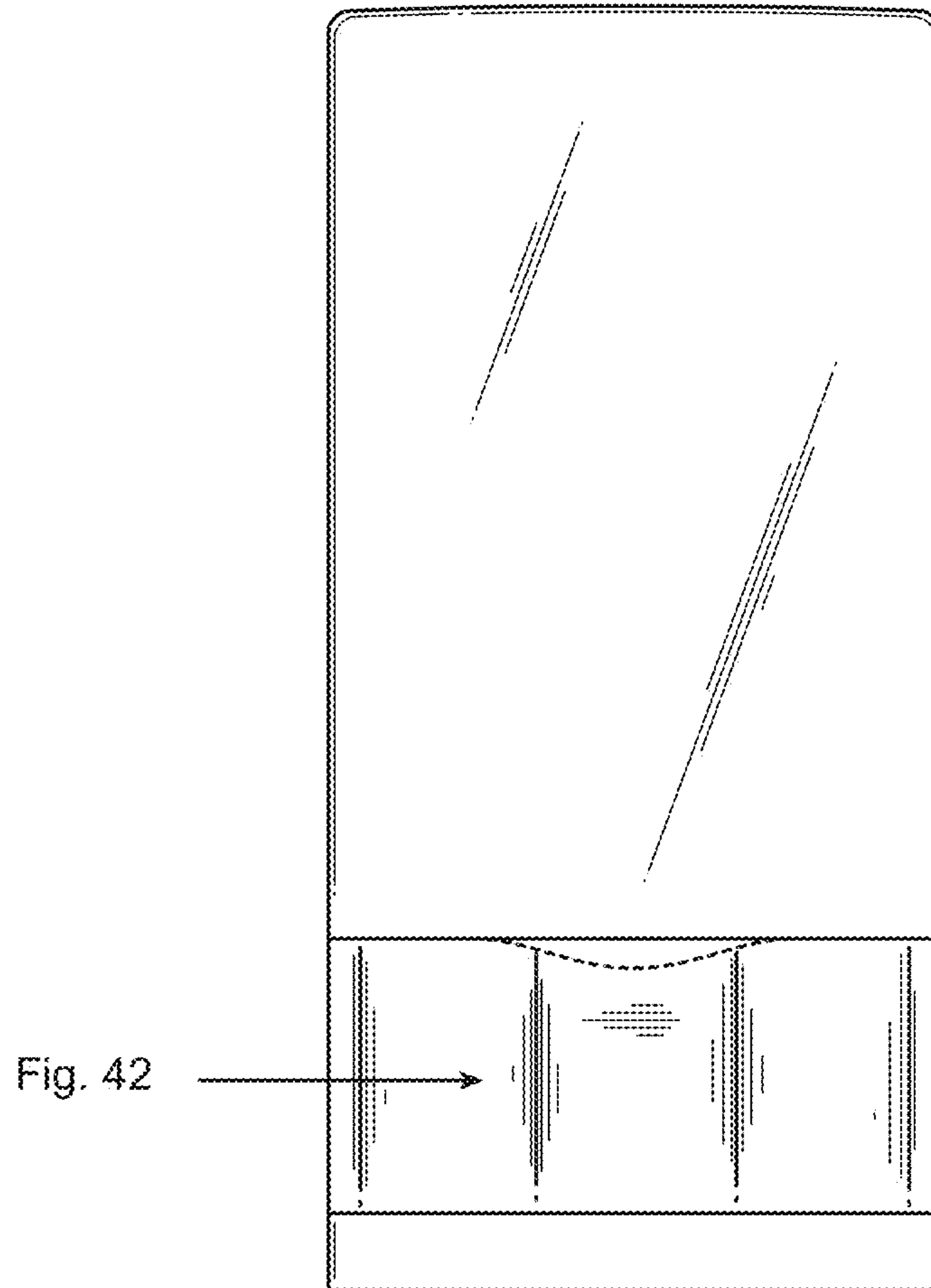


FIG. 38

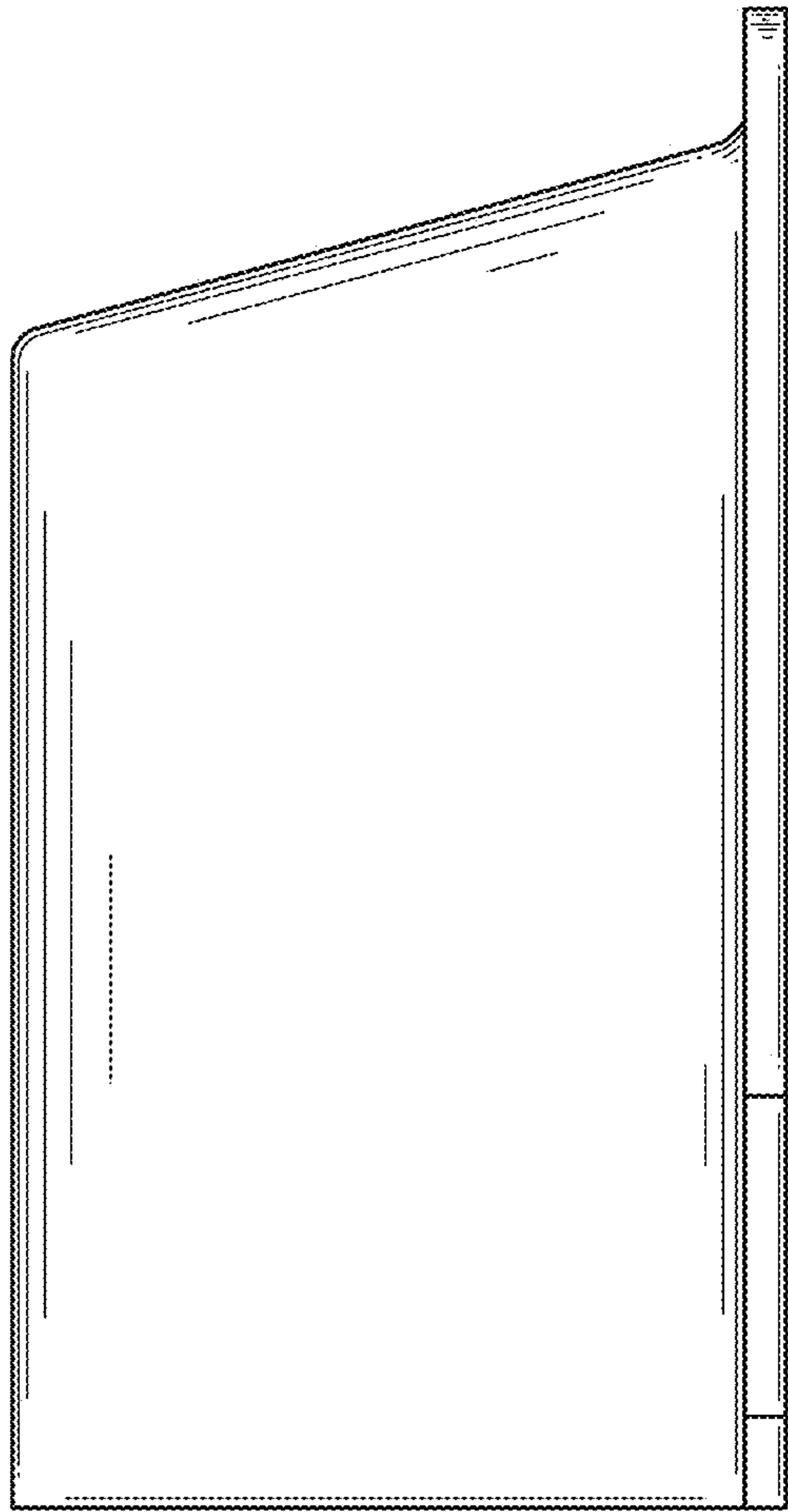


FIG. 39

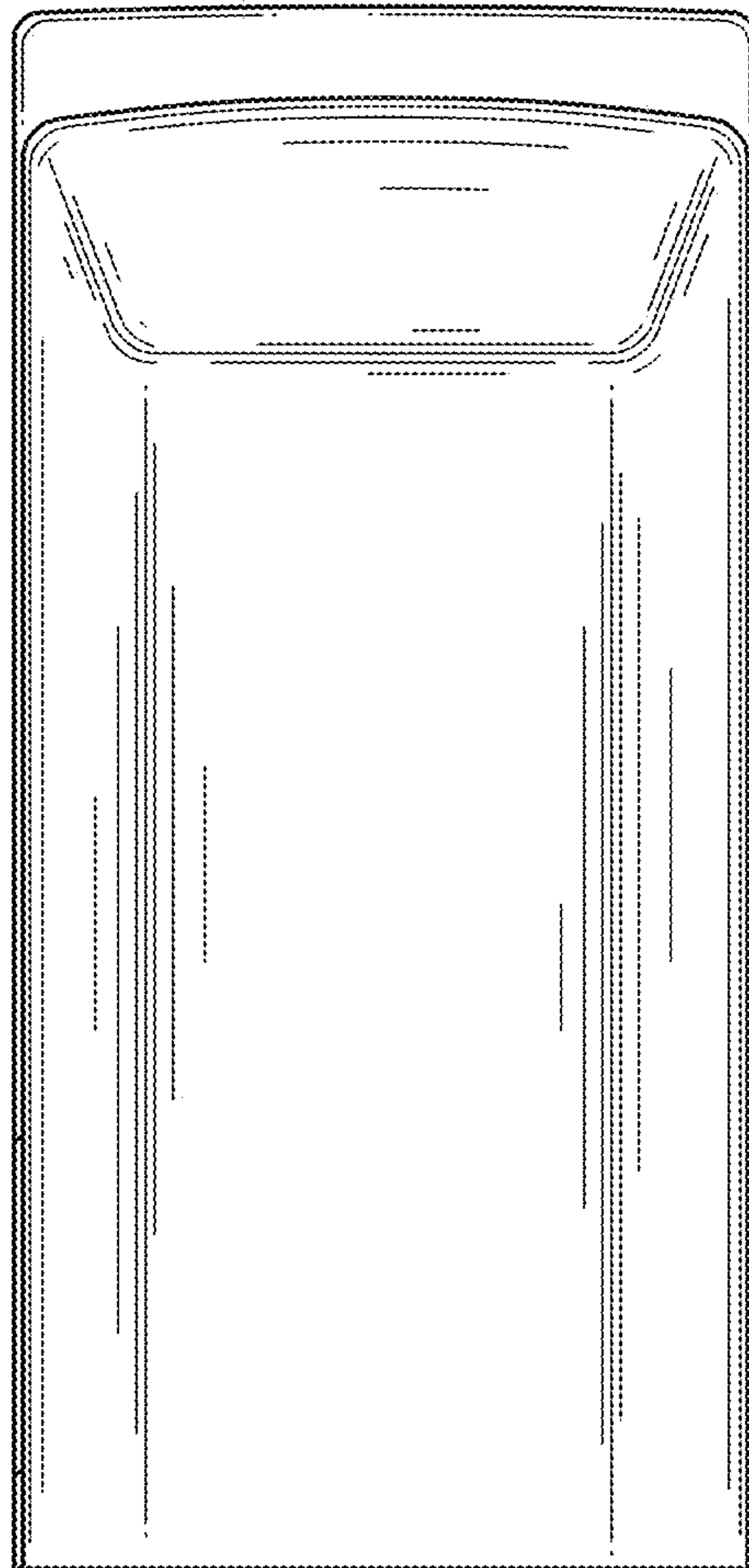


FIG. 40

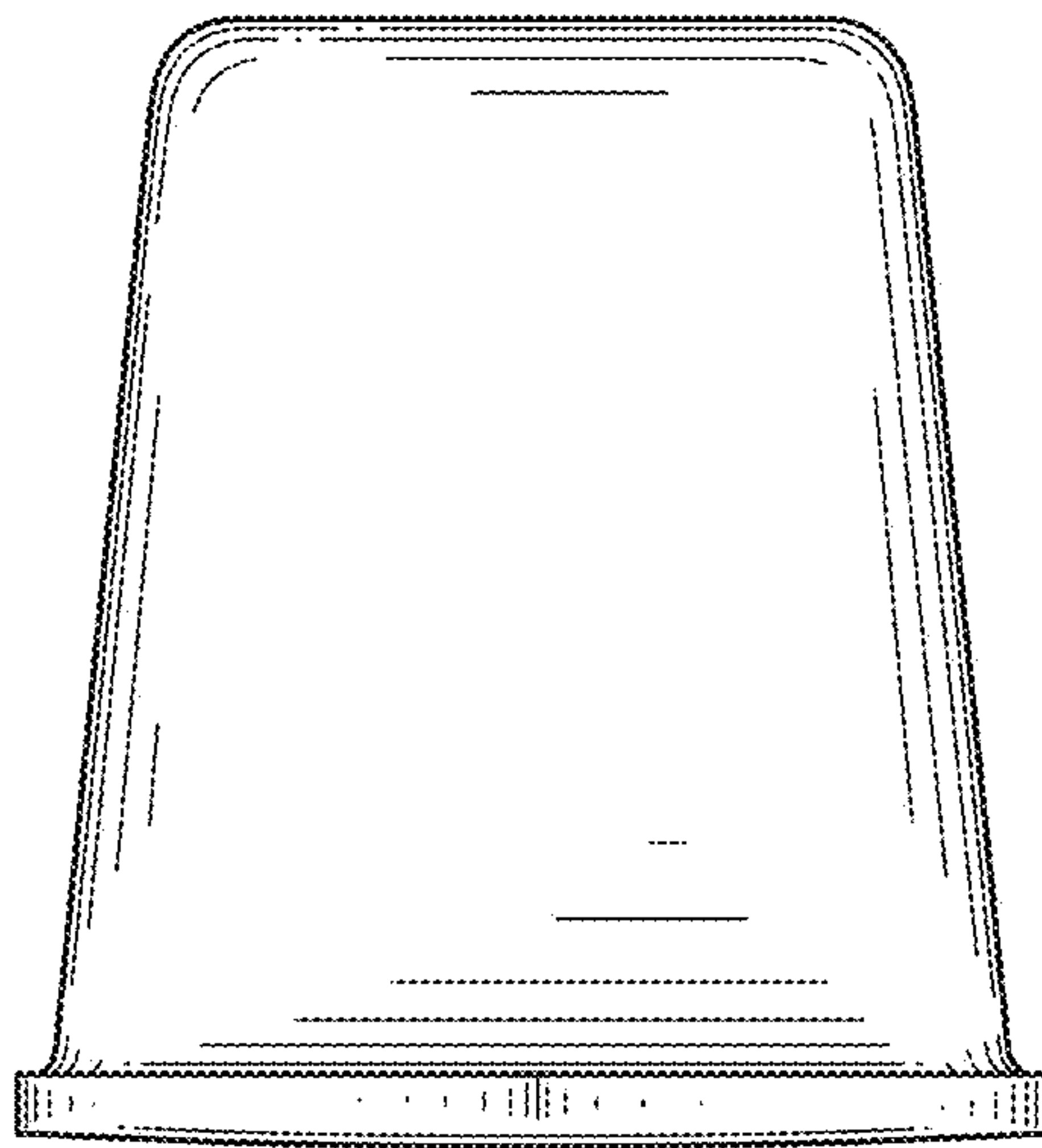


FIG. 41

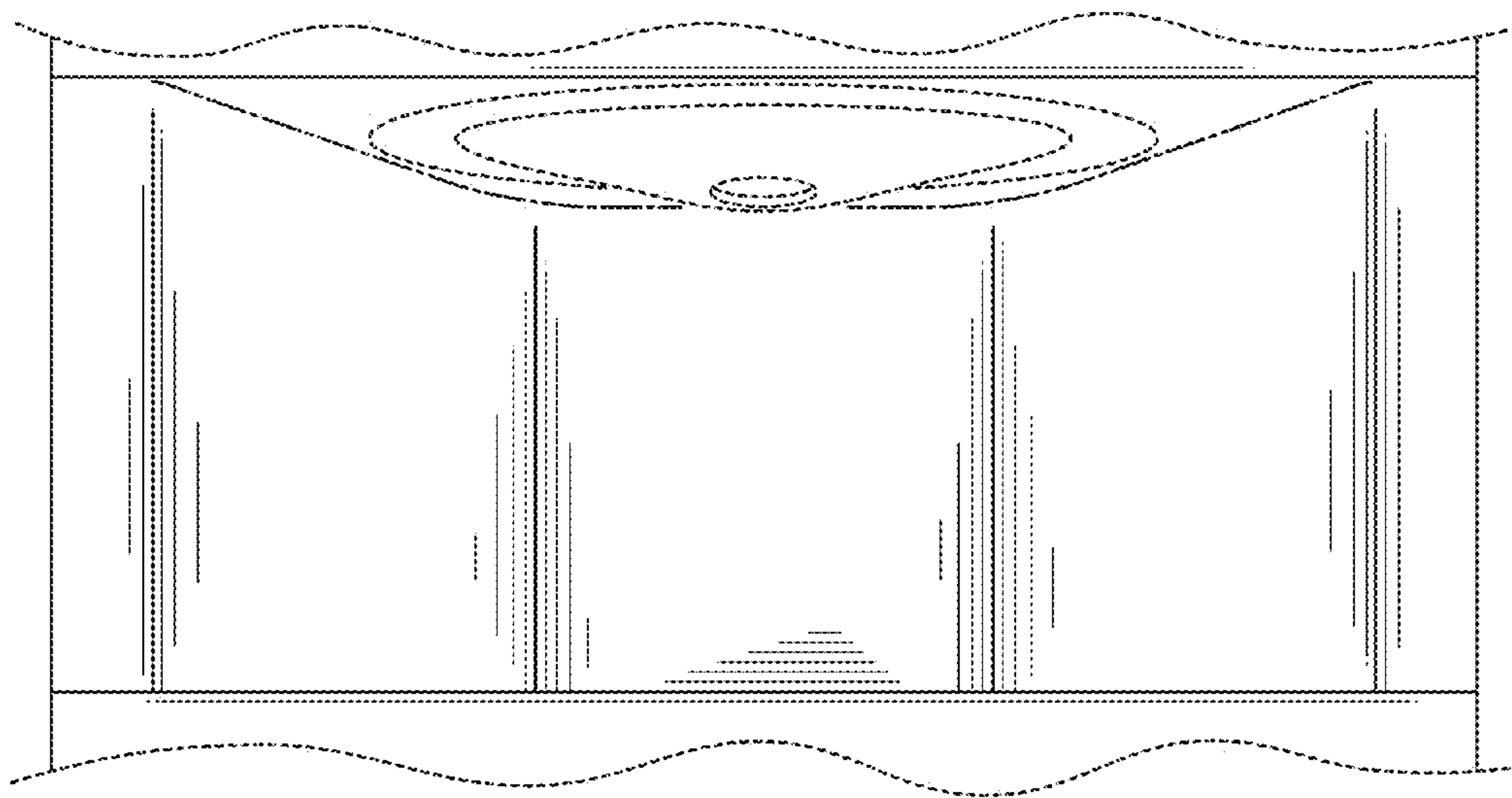


FIG. 42

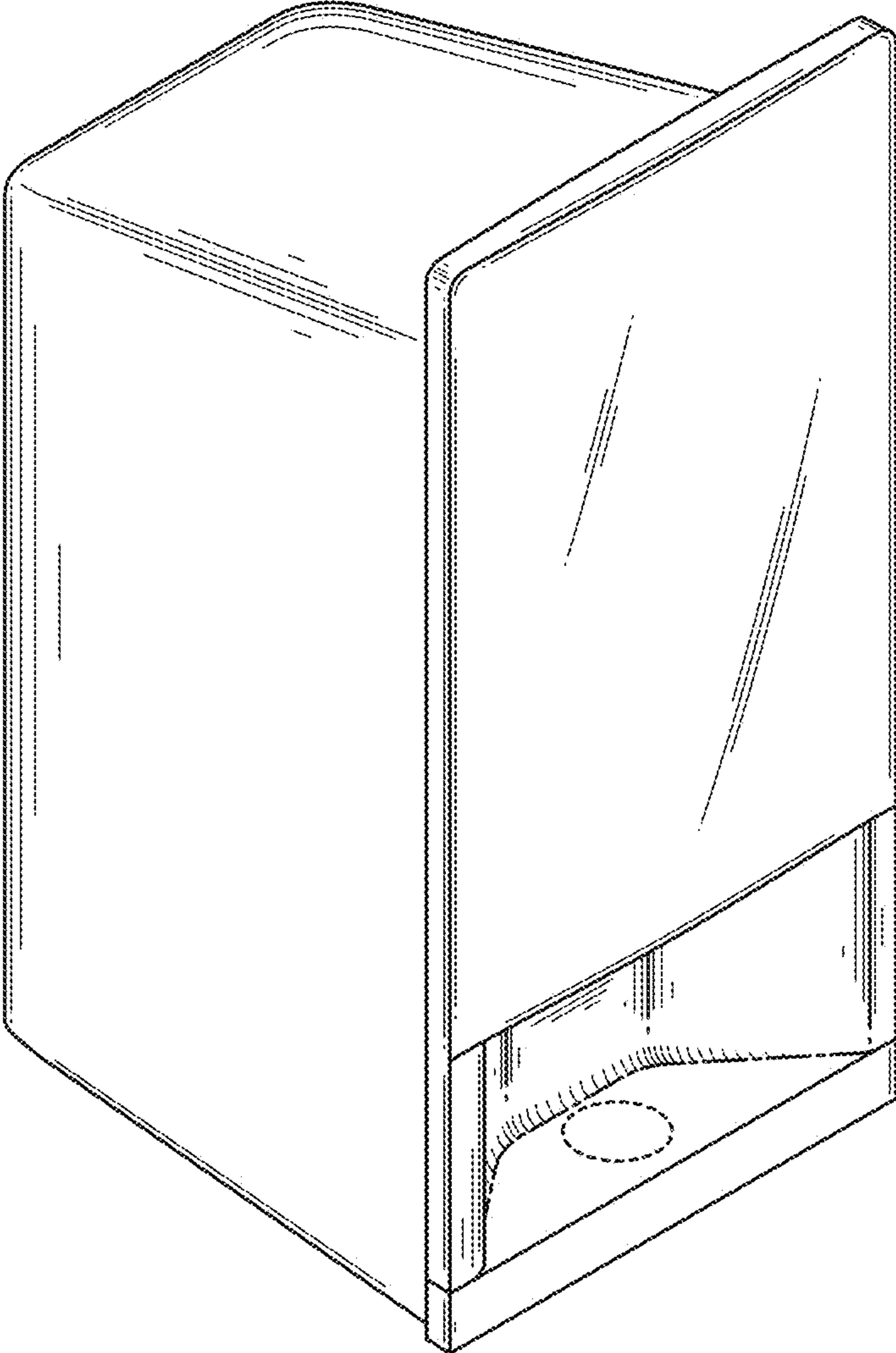


FIG. 43

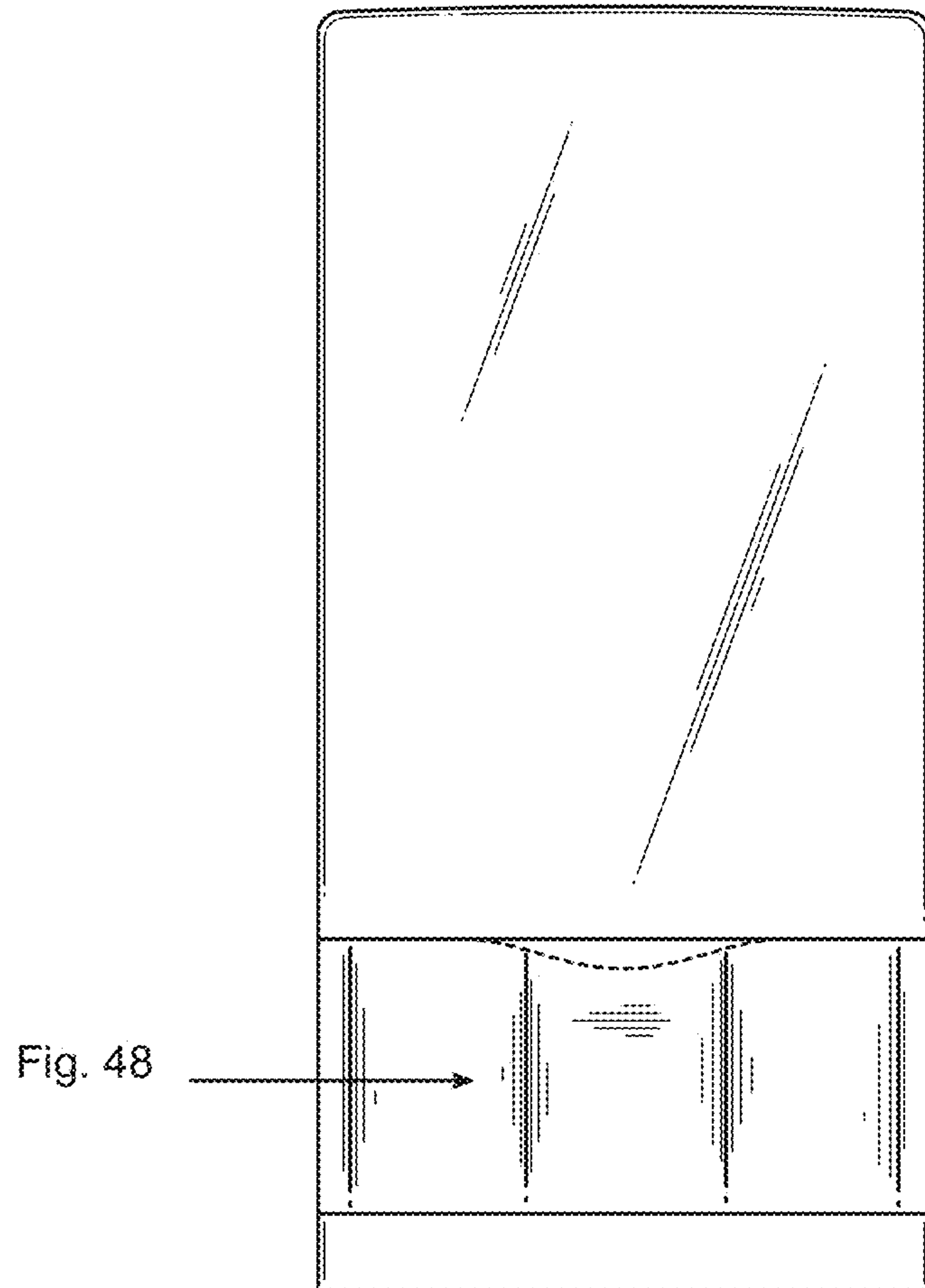


FIG. 44

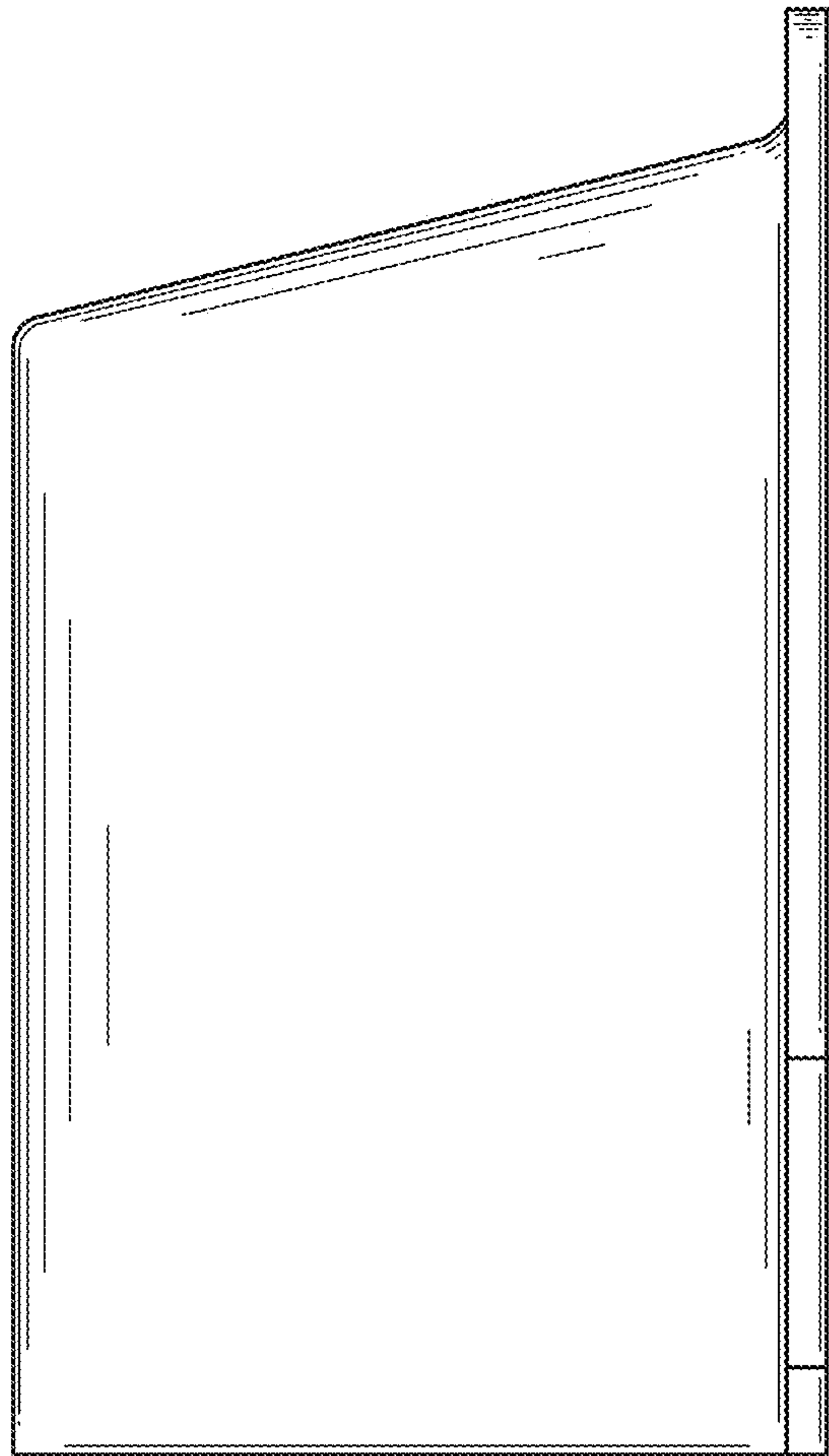


FIG. 45

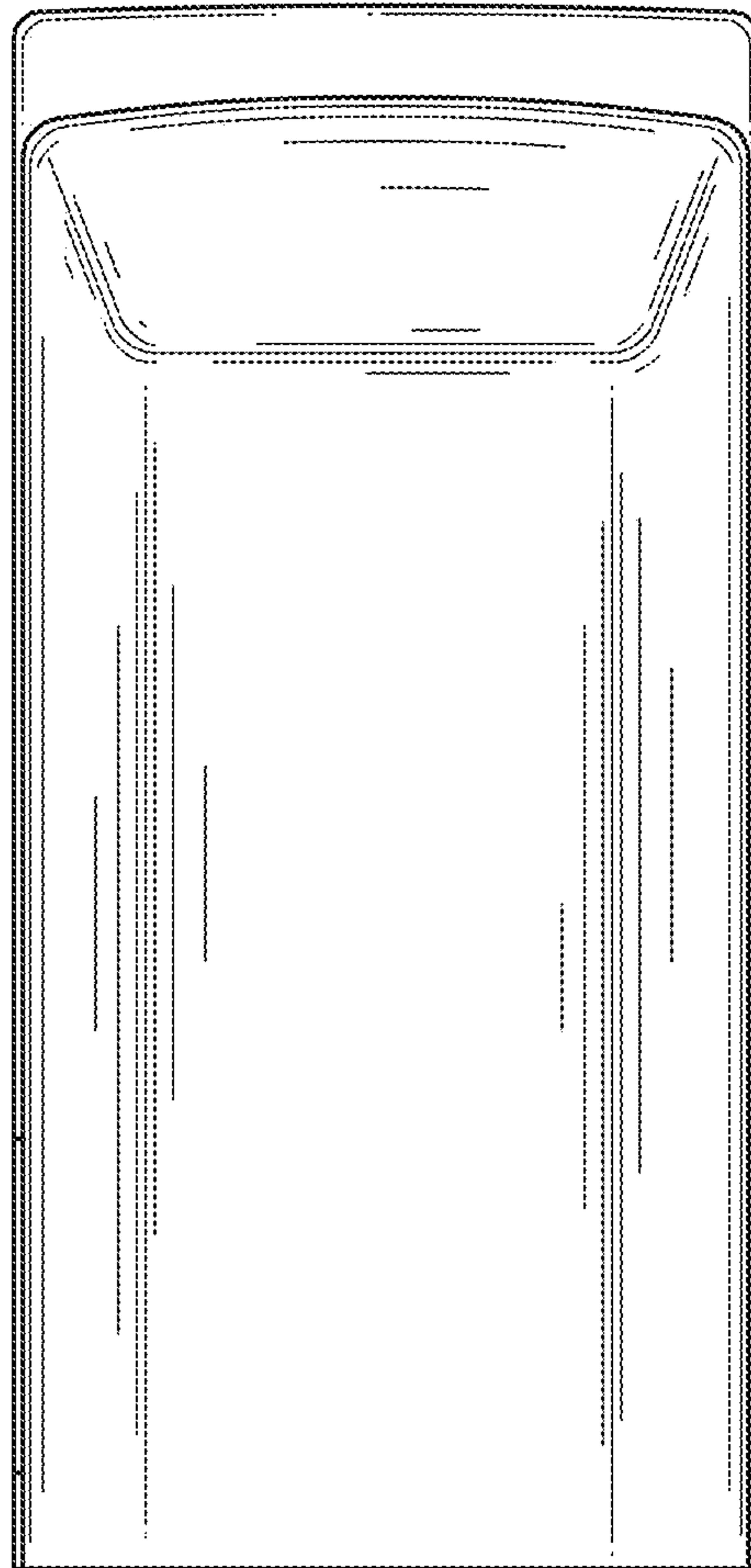


FIG. 46

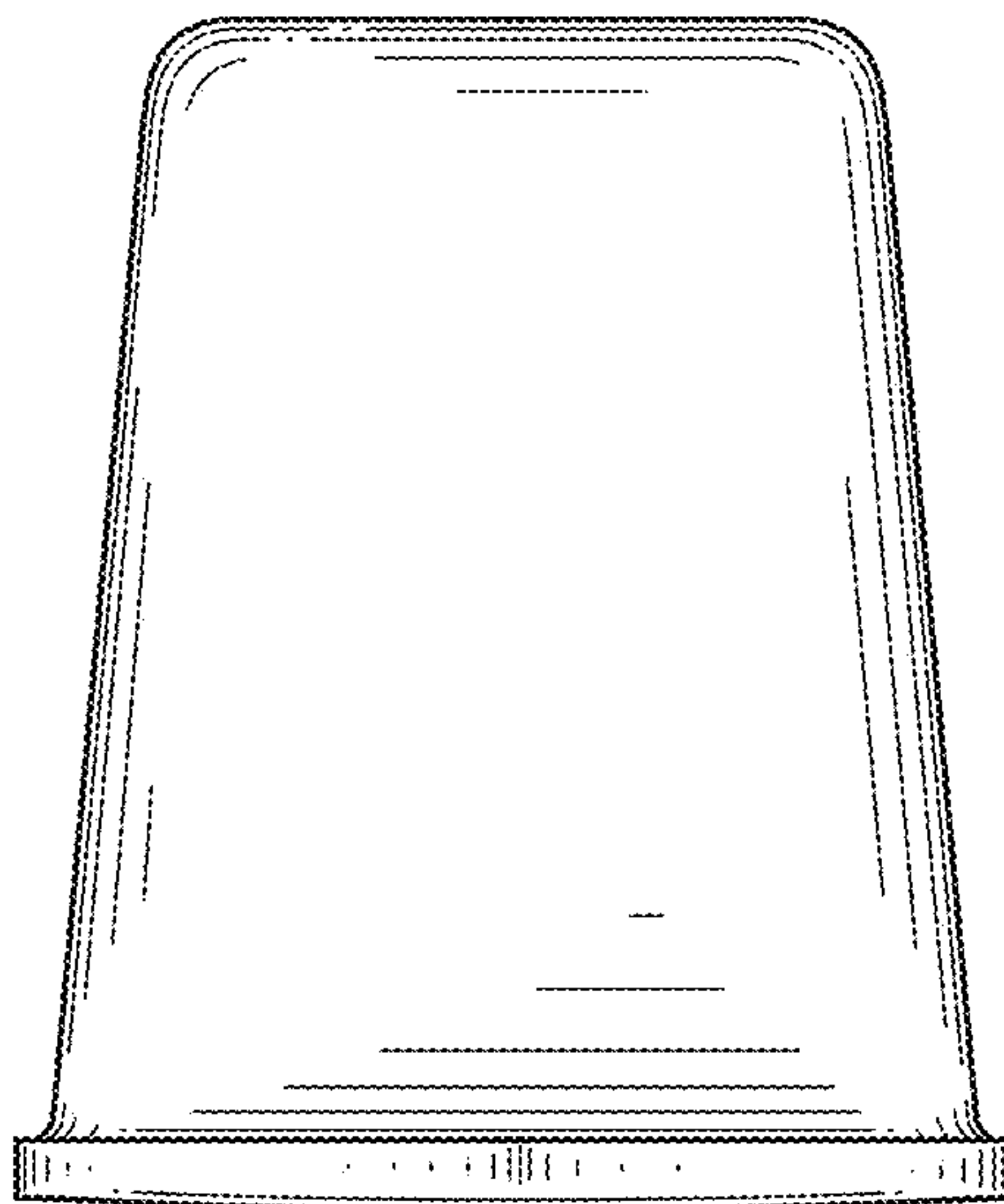


FIG. 47

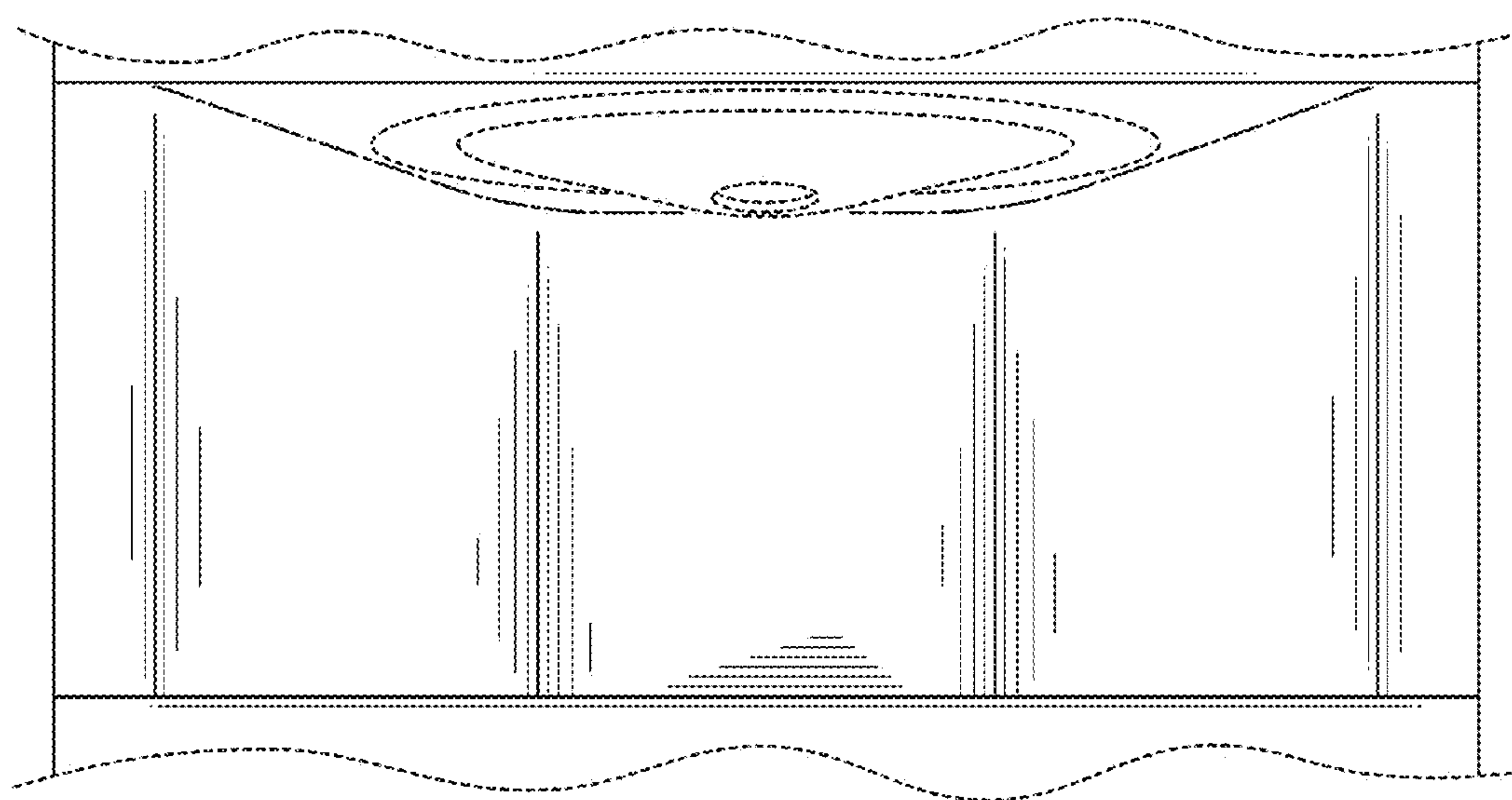


FIG. 48