



US00D696347S

(12) **United States Design Patent**
Yu

(10) **Patent No.:** **US D696,347 S**
(45) **Date of Patent:** **** Dec. 24, 2013**

- (54) **PEN**
- (71) Applicant: **Beifa Group Co., Ltd.**, Zhejiang (CN)
- (72) Inventor: **Fei Yu**, Ningbo (CN)
- (73) Assignee: **Beifa Group Co., Ltd.**, Ningbo (CN)
- (**) Term: **14 Years**
- (21) Appl. No.: **29/435,851**
- (22) Filed: **Oct. 29, 2012**
- (30) **Foreign Application Priority Data**

Apr. 28, 2012 (CN) 2012 3 0140133

- (51) **LOC (9) Cl.** **19-06**
- (52) **U.S. Cl.**
USPC **D19/49**
- (58) **Field of Classification Search**
USPC D14/411; D19/35, 36, 41–51, 53–58;
24/11 R, 11 F, 11 P; 401/52, 99–109,
401/192, 195, 196
See application file for complete search history.

(56) **References Cited**

U.S. PATENT DOCUMENTS

D205,645 S *	8/1966	Lovejoy	D19/49
D309,633 S	7/1990	Itoh		
D332,963 S	2/1993	Anavil		
D356,598 S *	3/1995	Thompson et al.	D19/49
D378,601 S	3/1997	Sakuno		
D388,825 S	1/1998	Kouda		
D394,455 S	5/1998	Izushima		
D397,723 S	9/1998	Izushima		
D421,052 S	2/2000	Yazawa		
D425,559 S	5/2000	Beneyto		
D437,352 S	2/2001	Matsuzaki		
D444,498 S	7/2001	Izushima		
D448,047 S	9/2001	Lewis, Jr.		

D456,448 S	4/2002	Chiu		
D463,822 S	10/2002	Keda		
D476,685 S	7/2003	Metaxatos		
D482,067 S	11/2003	Yang		
D496,963 S *	10/2004	Losel	D19/49
D534,586 S	1/2007	Togawa		
D534,955 S	1/2007	Huxiong		
D540,866 S	4/2007	Qiu		
D544,915 S	6/2007	Santa Maria		
D548,791 S	8/2007	Santa Maria		
D550,282 S	9/2007	Neuenschwander		
D553,679 S	10/2007	Tien		
D557,744 S	12/2007	Lecce		
D558,269 S	12/2007	Takanashi		
D559,318 S *	1/2008	Qiu et al.	D19/51
D562,891 S *	2/2008	Qiu et al.	D19/47

(Continued)

OTHER PUBLICATIONS

Liang, W., "Pen," U.S. Appl. No. 29/405,749, filed Nov. 4, 2011.

Primary Examiner — Elizabeth Albert

(74) *Attorney, Agent, or Firm* — Christensen O'Connor Johnson Kindness PLLC

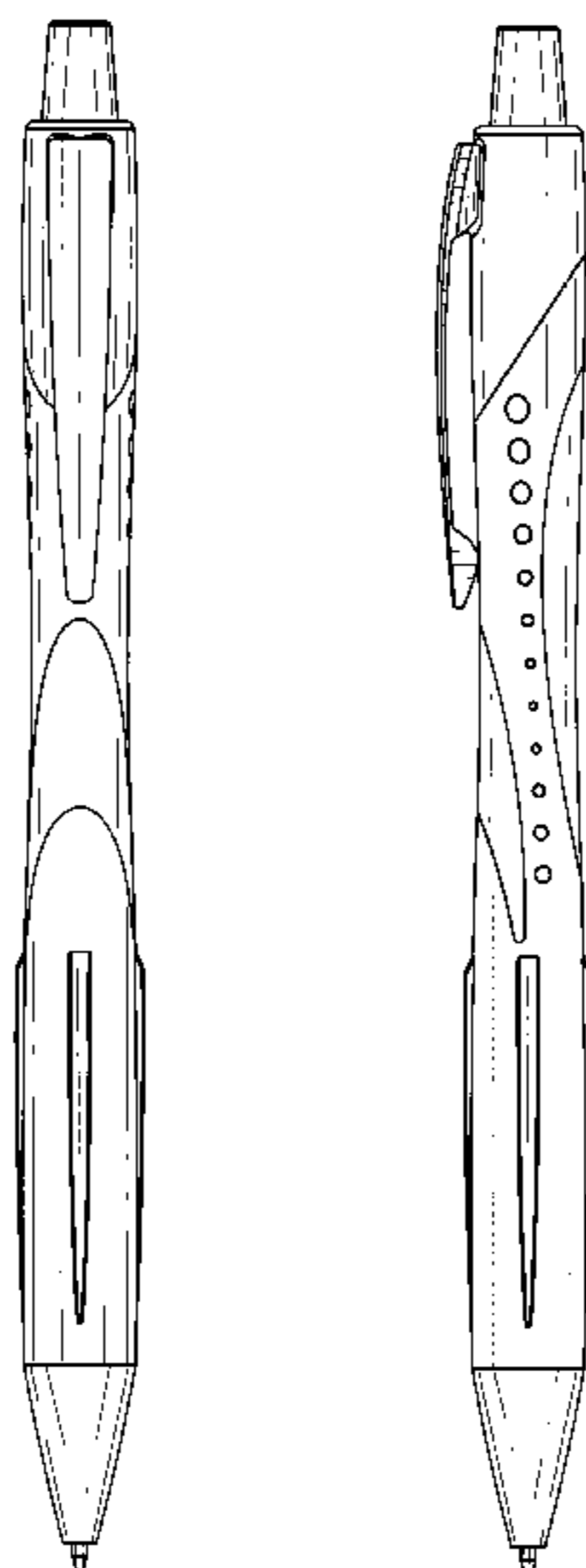
(57) **CLAIM**

The ornamental design for a pen, as shown and described.

DESCRIPTION

FIG. 1 is an upper front right perspective view of a pen showing my new design;
 FIG. 2 is a front elevation view thereof;
 FIG. 3 is a rear elevation view thereof;
 FIG. 4 is a right side elevation view thereof, with the left side elevation view being a mirror image of the right side elevation view;
 FIG. 5 is a bottom plan view thereof;
 FIG. 6 is a top plan view thereof;
 FIG. 7 is an enlarged bottom plan view thereof; and,
 FIG. 8 is an enlarged top plan view thereof.

1 Claim, 3 Drawing Sheets



(56)

References Cited

U.S. PATENT DOCUMENTS

D565,654 S	4/2008	Siegel	
D567,854 S	4/2008	Hamilton	
D571,400 S	6/2008	Anand	
D575,822 S *	8/2008	Rolion et al.	D19/50
D585,491 S	1/2009	Booker	
D591,352 S	4/2009	Gerules	
D601,197 S *	9/2009	Zhang	D19/48
D601,198 S *	9/2009	Kouda	D19/49
D611,538 S	3/2010	Zhou	
D612,888 S *	3/2010	Rolion et al.	D19/51
D628,645 S *	12/2010	Zhang	D19/51
D631,913 S	2/2011	Li	
D641,788 S *	7/2011	Rolion et al.	D19/50
D646,327 S	10/2011	Casciotti	
D647,563 S *	10/2011	Chu	D19/49
D651,242 S	12/2011	Yuan	
D654,952 S *	2/2012	Laemle	D19/50
D659,760 S	5/2012	Zhang	
D665,025 S *	8/2012	Li et al.	D19/50
D667,882 S *	9/2012	Uchiyama et al.	D19/50
D672,393 S *	12/2012	Mao	D19/50
D679,326 S *	4/2013	Li et al.	D19/50
D682,935 S *	5/2013	Liang	D19/49
2009/0290929 A1 *	11/2009	Rolion et al.	401/109

* cited by examiner

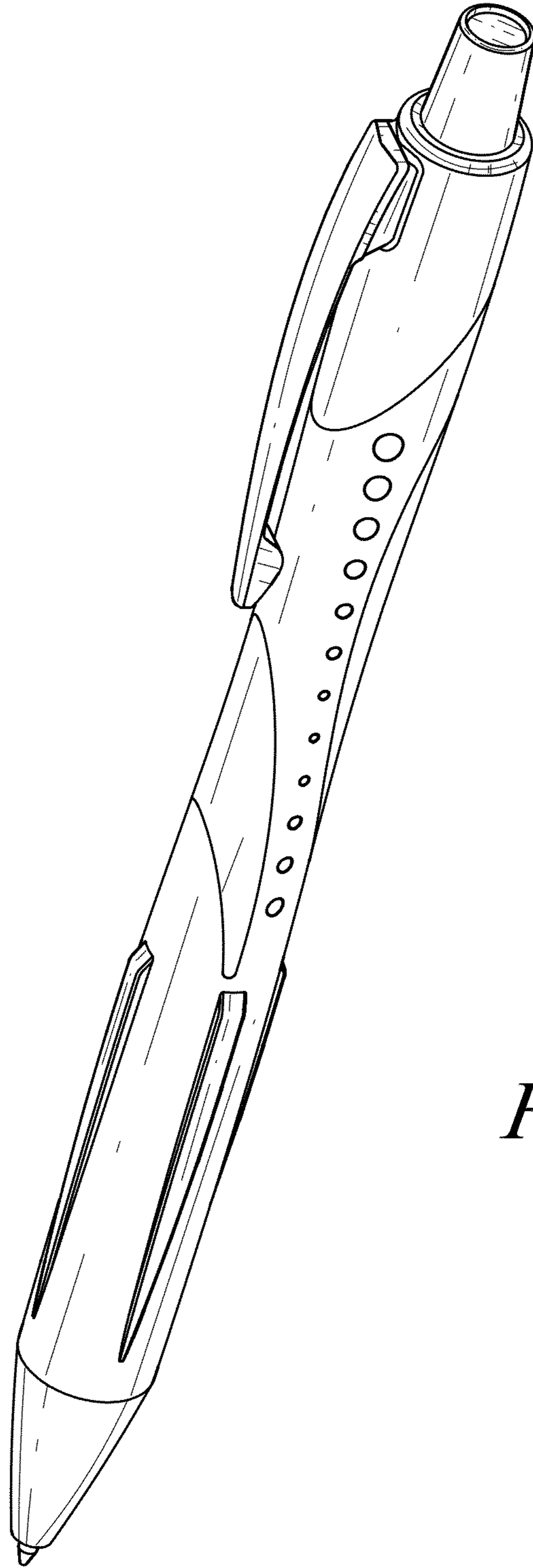


Fig. 1.

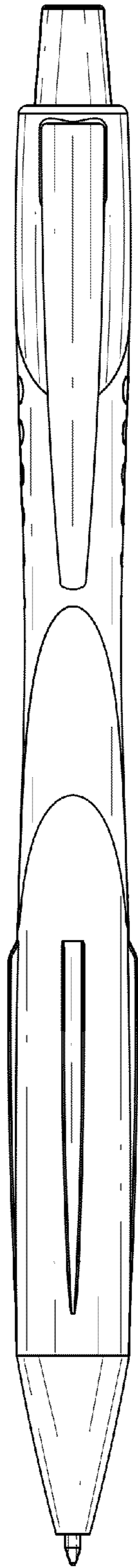


Fig. 2.

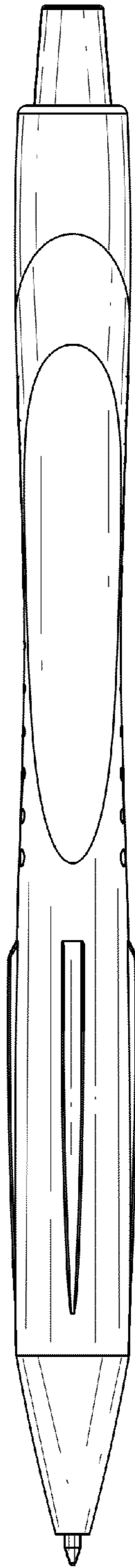


Fig. 3.

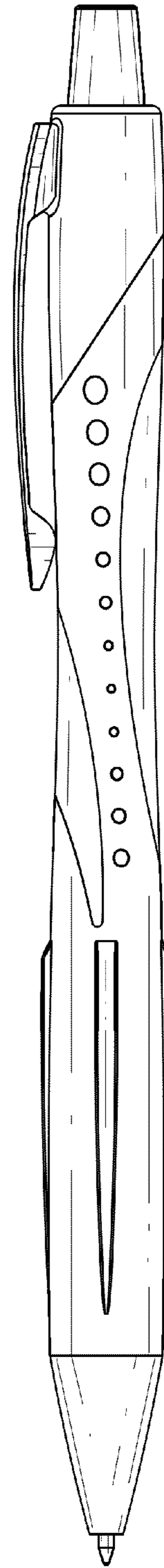


Fig. 4.

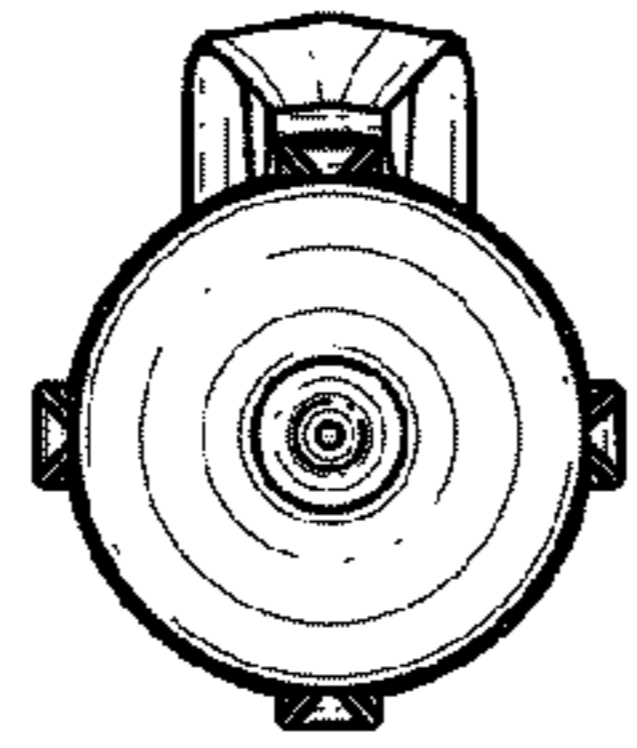


Fig. 5.

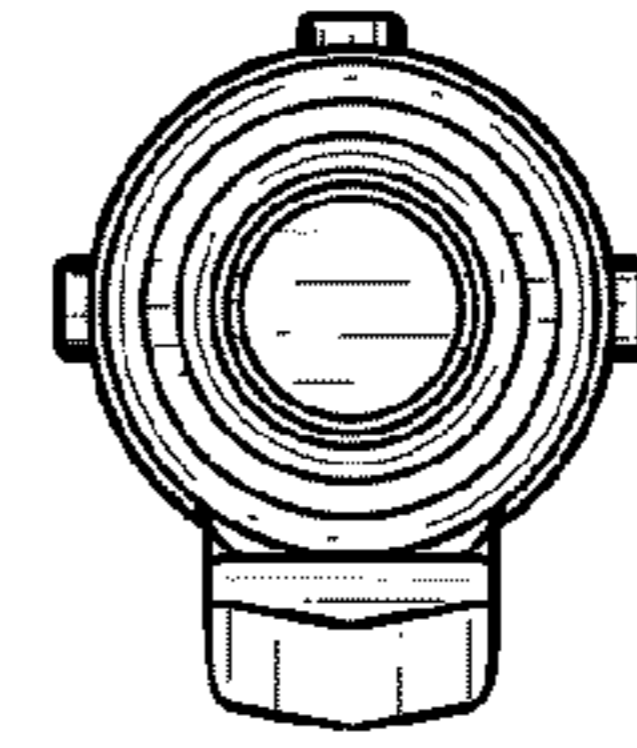


Fig. 6.

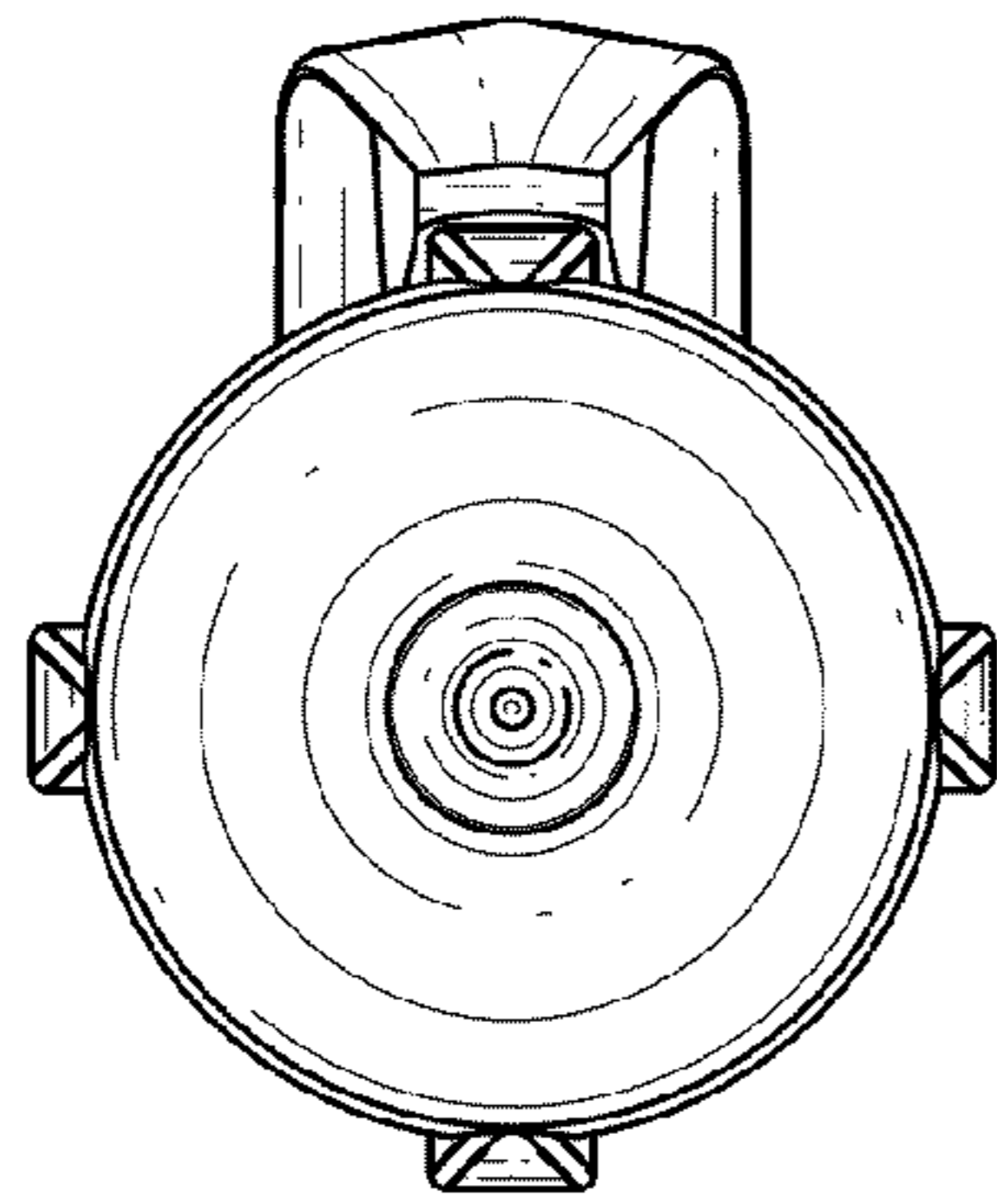


Fig. 7.

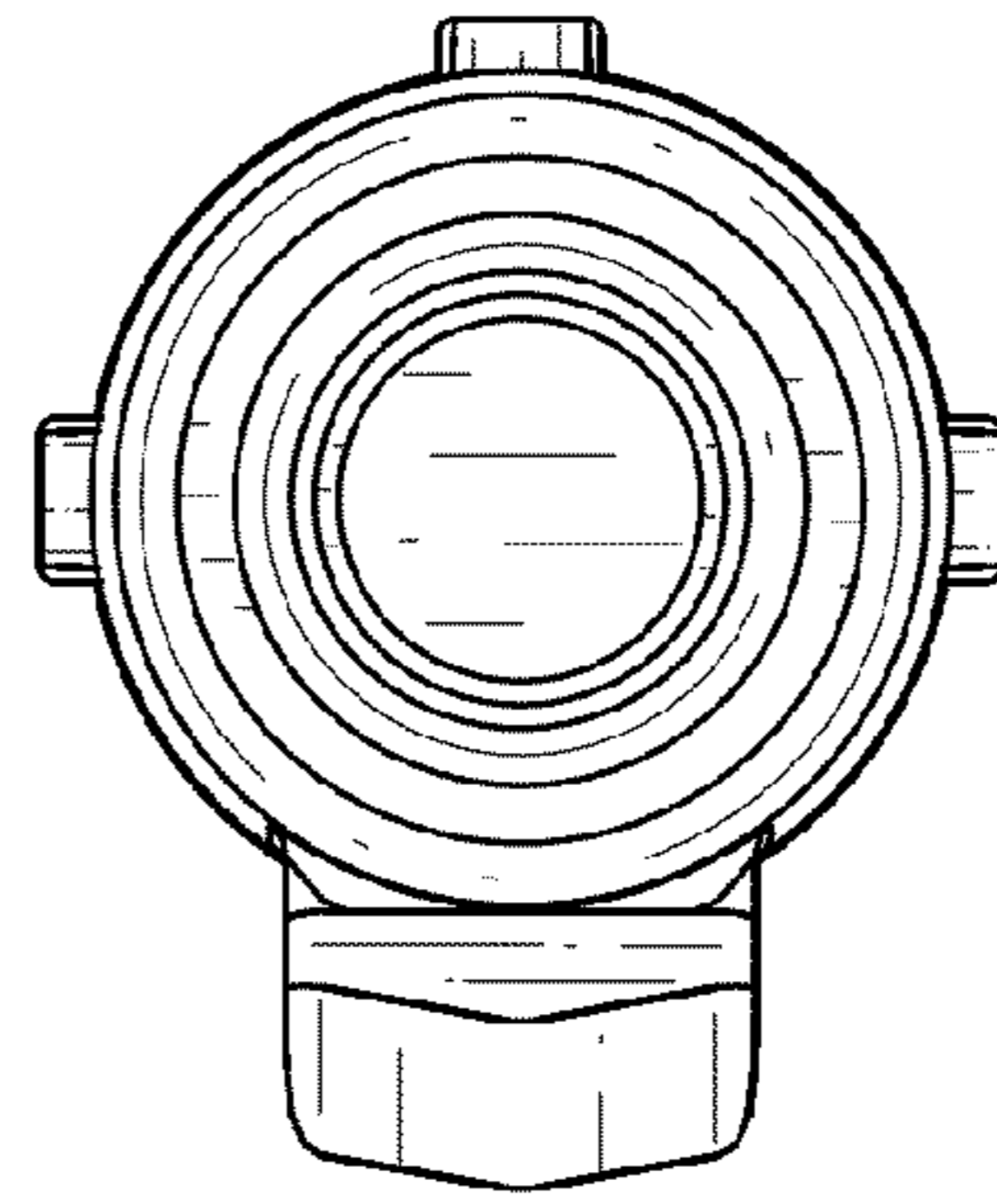


Fig. 8.