



US00D696343S

(12) **United States Design Patent**  
**Kim et al.**

(10) **Patent No.:** **US D696,343 S**

(45) **Date of Patent:** **\*\* \*Dec. 24, 2013**

(54) **PRINTER**

(75) Inventors: **Jong-Kyu Kim**, Seoul (KR); **Min-Chul Kim**, Seoul (KR); **Seung-Wook Jeong**, Seoul (KR)

(73) Assignee: **Samsung Electronics Co., Ltd.**, Suwon, Kyunggi-do (KR)

(\*) Notice: This patent is subject to a terminal disclaimer.

(\*\*) Term: **14 Years**

(21) Appl. No.: **29/415,218**

(22) Filed: **Mar. 8, 2012**

(30) **Foreign Application Priority Data**

Oct. 5, 2011 (KR) ..... 30-2011-0041177

(51) **LOC (9) Cl.** ..... **14-02**

(52) **U.S. Cl.**  
USPC ..... **D18/55**

(58) **Field of Classification Search**  
USPC ..... D18/14, 19, 36-37, 50, 54, 54.1, 55;  
D14/452-425, 463-470; 400/613,  
400/613.1-613.4, 690, 690.1-690.4,  
400/691-694

See application file for complete search history.

(56) **References Cited**

**U.S. PATENT DOCUMENTS**

D326,867 S 6/1992 Kwak  
D351,189 S \* 10/1994 Yamaguchi et al. .... D18/55  
D359,506 S 6/1995 Lee  
D378,218 S 2/1997 Hong et al.  
D402,688 S \* 12/1998 Laidlaw ..... D18/53  
D527,045 S 8/2006 Lim et al.  
D529,950 S \* 10/2006 Katayama et al. .... D18/50  
D530,737 S 10/2006 Lim et al.

D532,043 S 11/2006 Park et al.  
D536,372 S 2/2007 Lim et al.  
D544,906 S \* 6/2007 Alfonso et al. .... D18/55  
D551,700 S 9/2007 Park et al.  
D552,170 S 10/2007 Kim et al.  
D555,195 S 11/2007 Park et al.  
D555,722 S 11/2007 Bae et al.  
D556,253 S 11/2007 Hong et al.  
D556,822 S 12/2007 Hong et al.  
D558,261 S 12/2007 Hong et al.  
D558,262 S 12/2007 Hong et al.  
D558,820 S 1/2008 Hong et al.  
D558,822 S \* 1/2008 Smith et al. .... D18/55  
D561,248 S 2/2008 Lee et al.

(Continued)

**OTHER PUBLICATIONS**

U.S. Appl. No. 29/404,389, Applicant: Kyong-Hwan Kim et al., filed Oct. 20, 2011 entitled Printer With Functions of Copy Machine, Scanner and Fax Machine, allowed.

(Continued)

*Primary Examiner* — Cathy A MacCormac

(74) *Attorney, Agent, or Firm* — Flynn, Thiel, Boutell & Tanis, P.C.

(57) **CLAIM**

The ornamental design for a printer, as shown and described.

**DESCRIPTION**

FIG. 1 is a top front perspective view of a printer showing our new design;

FIG. 2 is a front elevational view thereof;

FIG. 3 is a rear elevational view thereof;

FIG. 4 is a left side elevational view thereof;

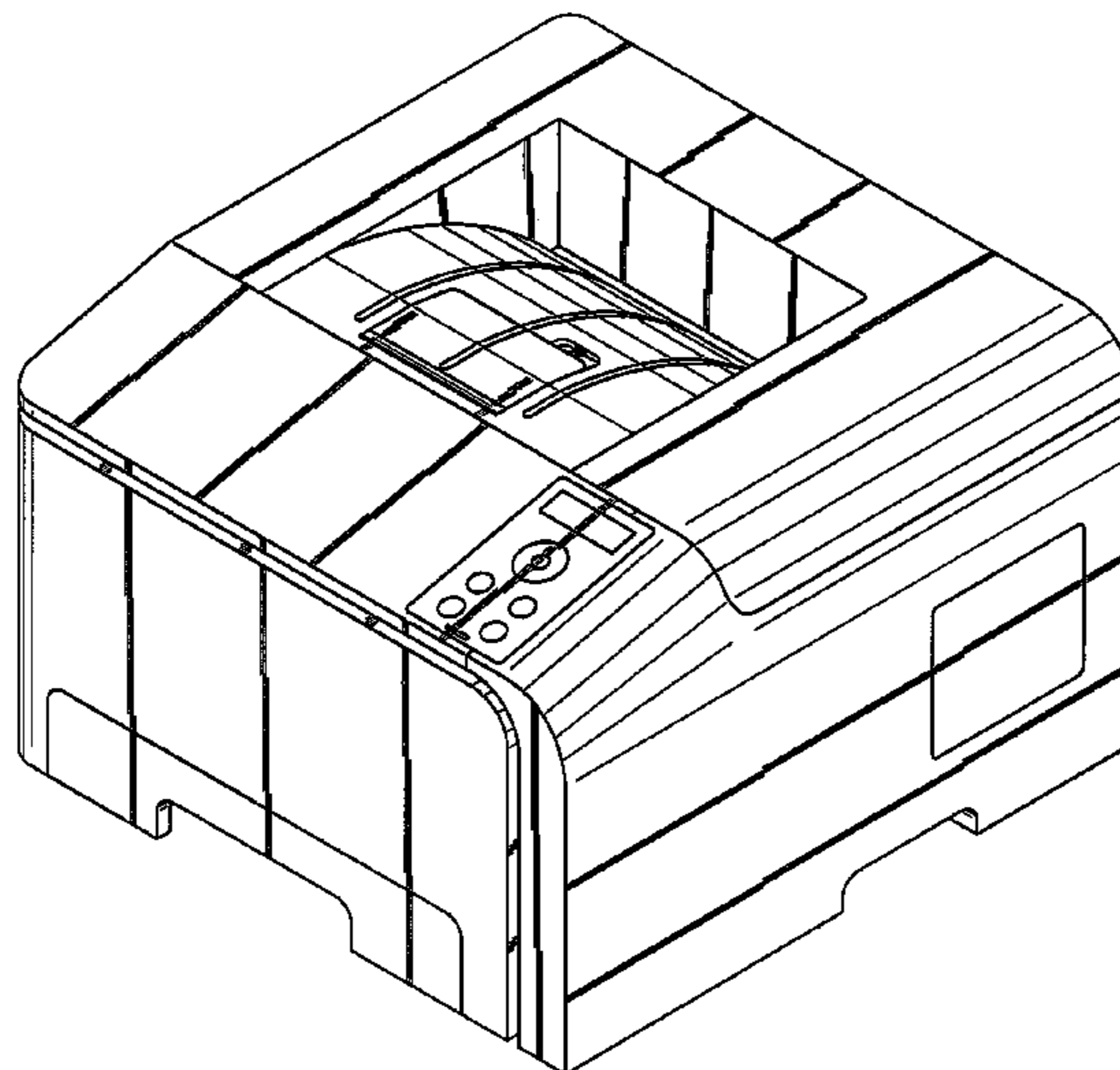
FIG. 5 is a right side elevational view thereof;

FIG. 6 is a top plan view thereof; and,

FIG. 7 is a bottom plan view thereof.

The broken lines depict environmental subject matter only and form no part of the claimed design.

**1 Claim, 5 Drawing Sheets**



(56)

References Cited

U.S. PATENT DOCUMENTS

D561,824 S 2/2008 Park et al.  
 D562,378 S 2/2008 Kim et al.  
 D562,886 S \* 2/2008 Egami et al. .... D18/55  
 D573,178 S 7/2008 Lee et al.  
 D573,179 S 7/2008 Bae et al.  
 D578,494 S \* 10/2008 Hattori ..... D18/55  
 D580,483 S 11/2008 Park et al.  
 D581,976 S 12/2008 Park et al.  
 D584,344 S 1/2009 Lee et al.  
 D584,347 S 1/2009 Hong et al.  
 D584,348 S 1/2009 Boo et al.  
 D585,934 S \* 2/2009 Tomono et al. .... D18/55  
 D586,385 S 2/2009 Kim et al.  
 D593,149 S 5/2009 Park et al.  
 D601,185 S 9/2009 Kim et al.  
 D601,186 S 9/2009 Kim et al.  
 D607,049 S \* 12/2009 Sasaki et al. .... D18/55  
 D607,502 S 1/2010 Lee et al.  
 D607,506 S 1/2010 Kim et al.  
 D607,925 S 1/2010 Morrison et al.  
 D607,927 S 1/2010 Kim et al.  
 D607,928 S 1/2010 Kim et al.  
 D621,441 S 8/2010 Kim  
 D622,761 S 8/2010 Kim et al.  
 D624,956 S 10/2010 Park et al.  
 D624,957 S 10/2010 Park et al.  
 D626,588 S 11/2010 Kim et al.  
 D632,732 S 2/2011 Park et al.  
 D633,139 S 2/2011 Park et al.  
 D633,556 S 3/2011 Park et al.  
 D633,557 S \* 3/2011 Egami et al. .... D18/55  
 D634,359 S 3/2011 Park et al.  
 D639,847 S \* 6/2011 Nakata et al. .... D18/50  
 D641,038 S 7/2011 Park et al.  
 D641,393 S 7/2011 Kim et al.

D641,395 S 7/2011 Park et al.  
 D641,396 S 7/2011 Park et al.  
 D641,397 S 7/2011 Kim et al.  
 D641,398 S 7/2011 Kim et al.  
 D641,399 S \* 7/2011 Penke et al. .... D18/55  
 D641,778 S 7/2011 Lee et al.  
 D643,874 S 8/2011 Kim et al.  
 D645,078 S 9/2011 Kim et al.  
 D645,899 S \* 9/2011 Nagano et al. .... D18/55  
 D647,130 S 10/2011 Kim et al.  
 D647,131 S 10/2011 Park et al.  
 D647,132 S 10/2011 Kim et al.  
 D653,703 S \* 2/2012 Seki et al. .... D18/55  
 D659,187 S \* 5/2012 Choo ..... D18/55  
 D662,131 S \* 6/2012 Leman et al. .... D18/55

OTHER PUBLICATIONS

U.S. Appl. No. 29/404,391, Applicant: Kyong-Hwan Kim et al., filed Oct. 20, 2011 entitled Printer With Functions of Copy Machine and Scanner, allowed.  
 U.S. Appl. No. 29/404,392, Applicant: Kyong-Hwan Kim et al., filed Oct. 20, 2011 entitled Laser Printer, allowed.  
 U.S. Appl. No. 29/404,393, Applicant: Kyong-Hwan Kim et al., filed Oct. 20, 2011 entitled Laser Printer, allowed.  
 U.S. Appl. No. 29/404,398, Applicant: Kyong-Hwan Kim et al., filed Oct. 20, 2011 entitled Printer With Functions of Copy Machine, Scanner and Fax Machine, allowed.  
 U.S. Appl. No. 29/404,388, Applicant: Kyong-Hwan Kim et al., filed Oct. 20, 2011 entitled Printer With Functions of Copy Machine and Fax Machine, allowed.  
 U.S. Appl. No. 29/415,211, Applicant: Min-Chul Kim, et al., filed Mar. 8, 2012 entitled Printer, pending.  
 U.S. Appl. No. 29/415,216, Applicant: Jong-Kyu Kim, et al., filed Mar. 8, 2012 entitled Printer, pending.

\* cited by examiner

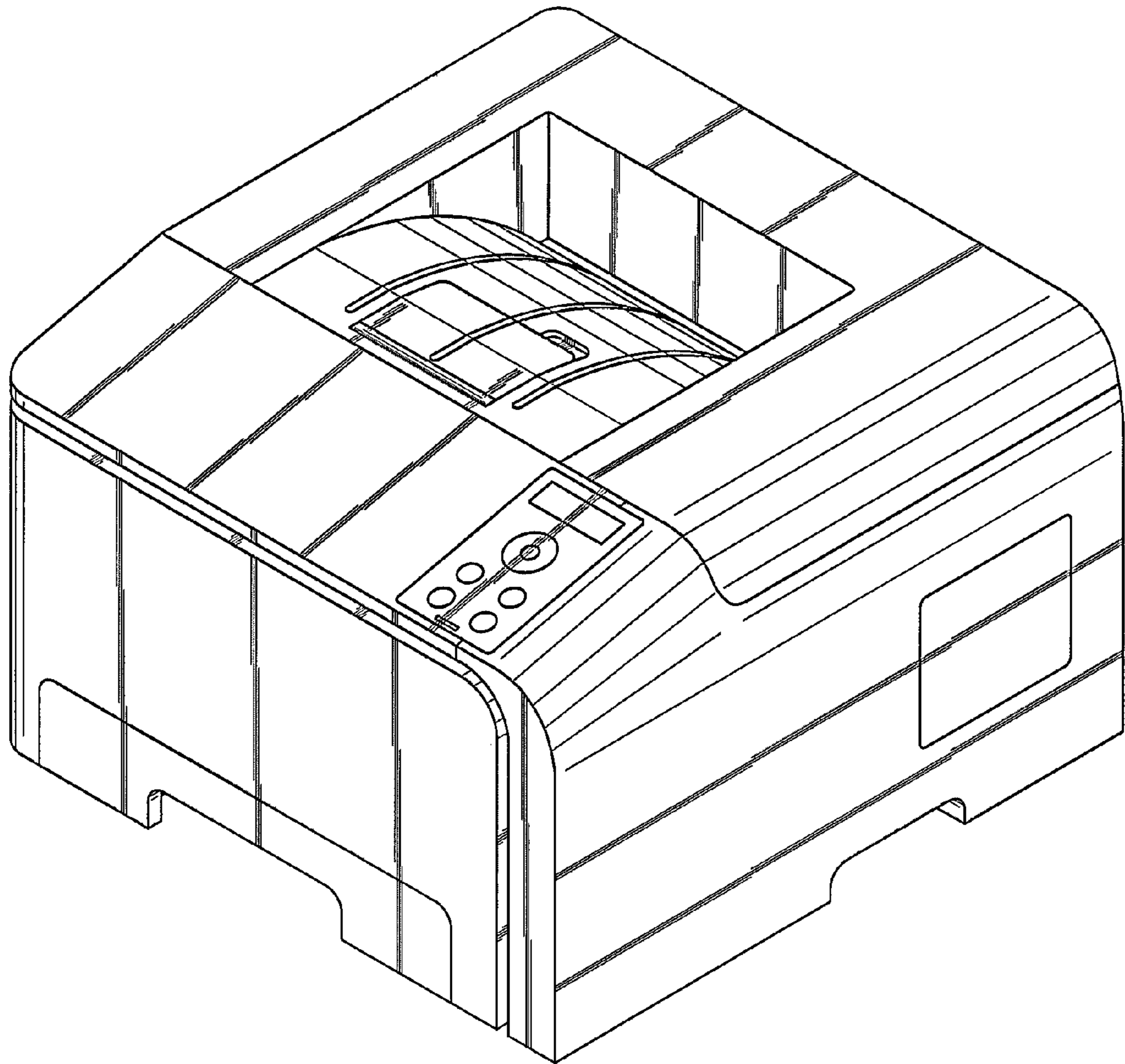


FIG.1

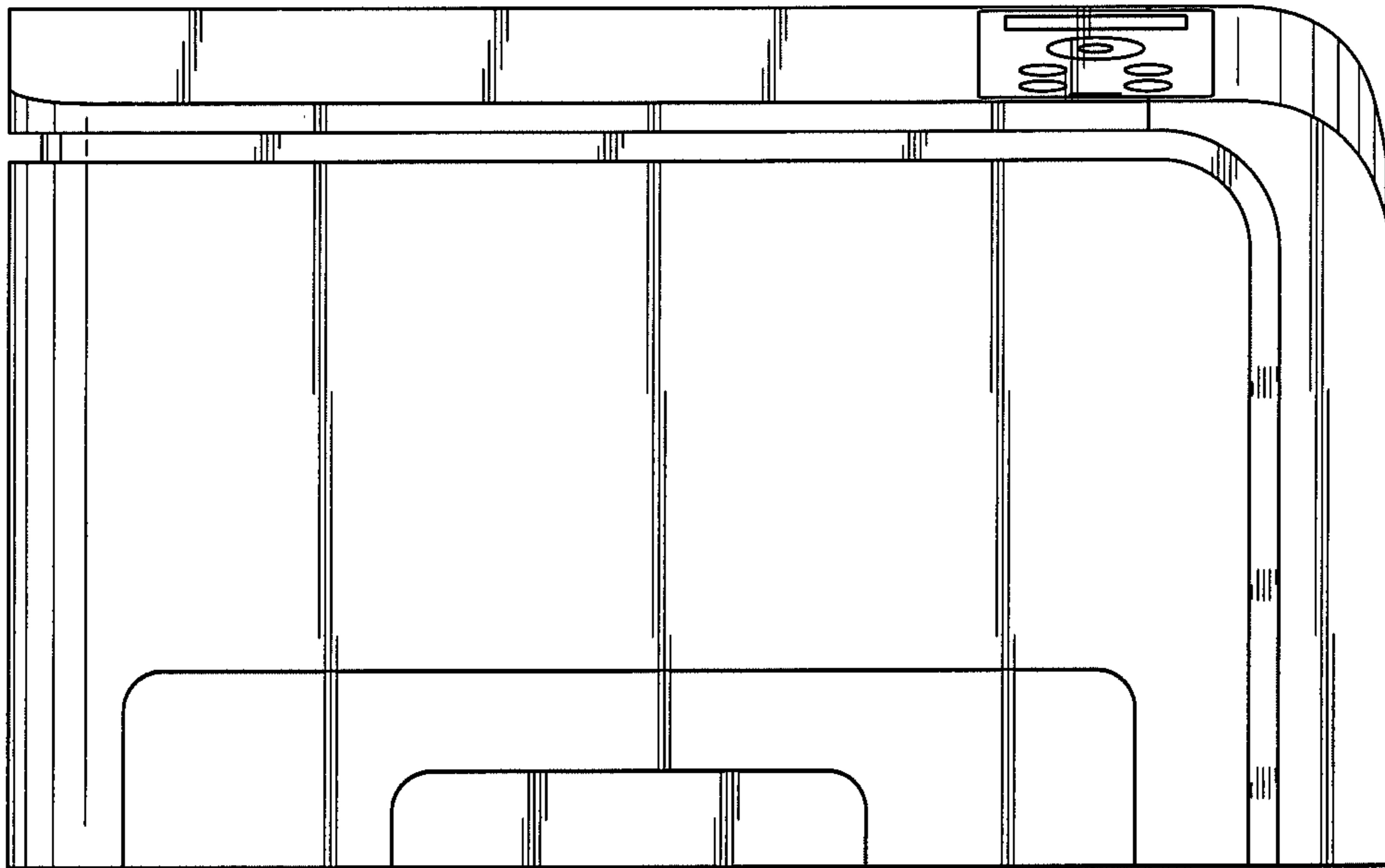


FIG. 2

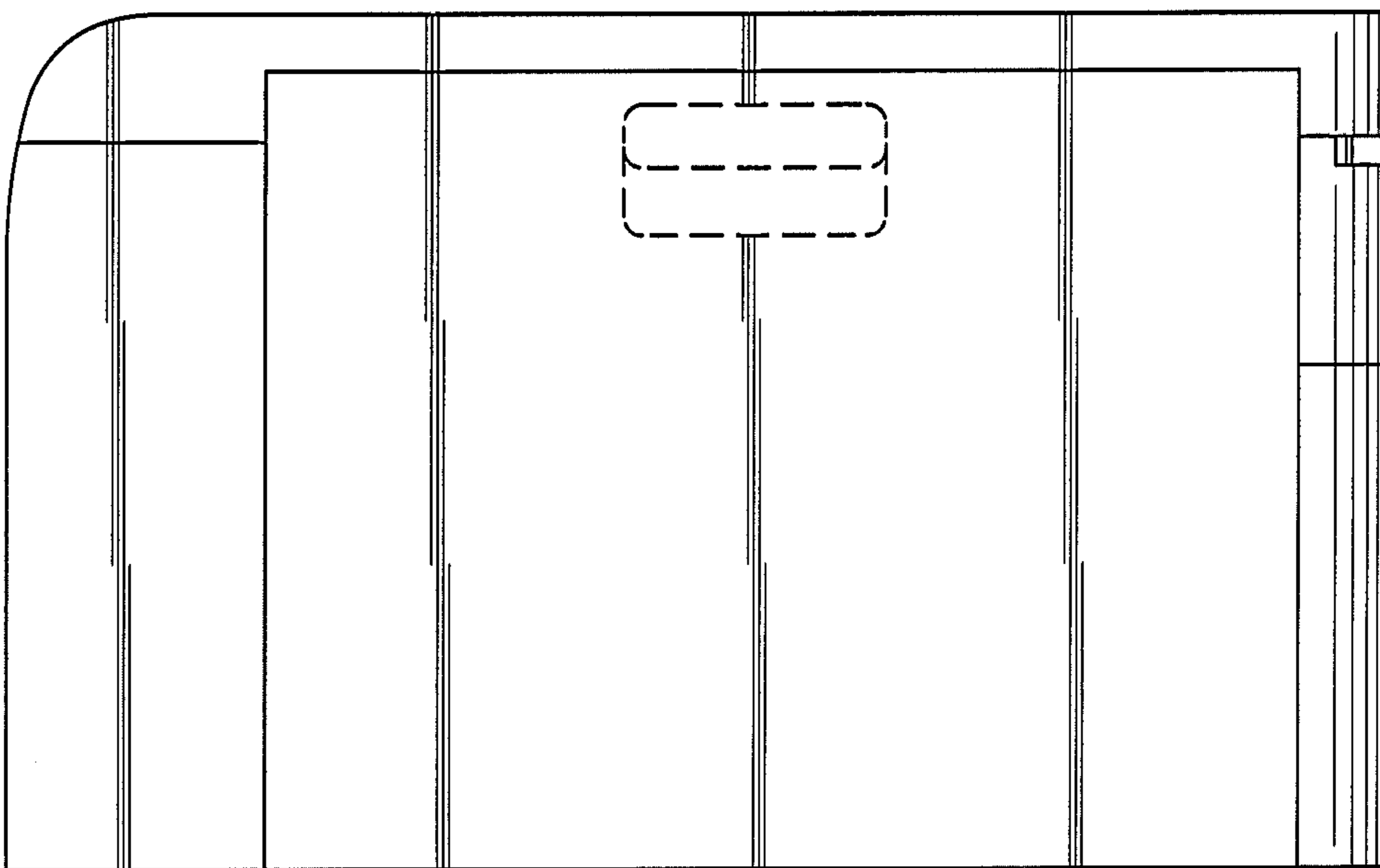


FIG. 3

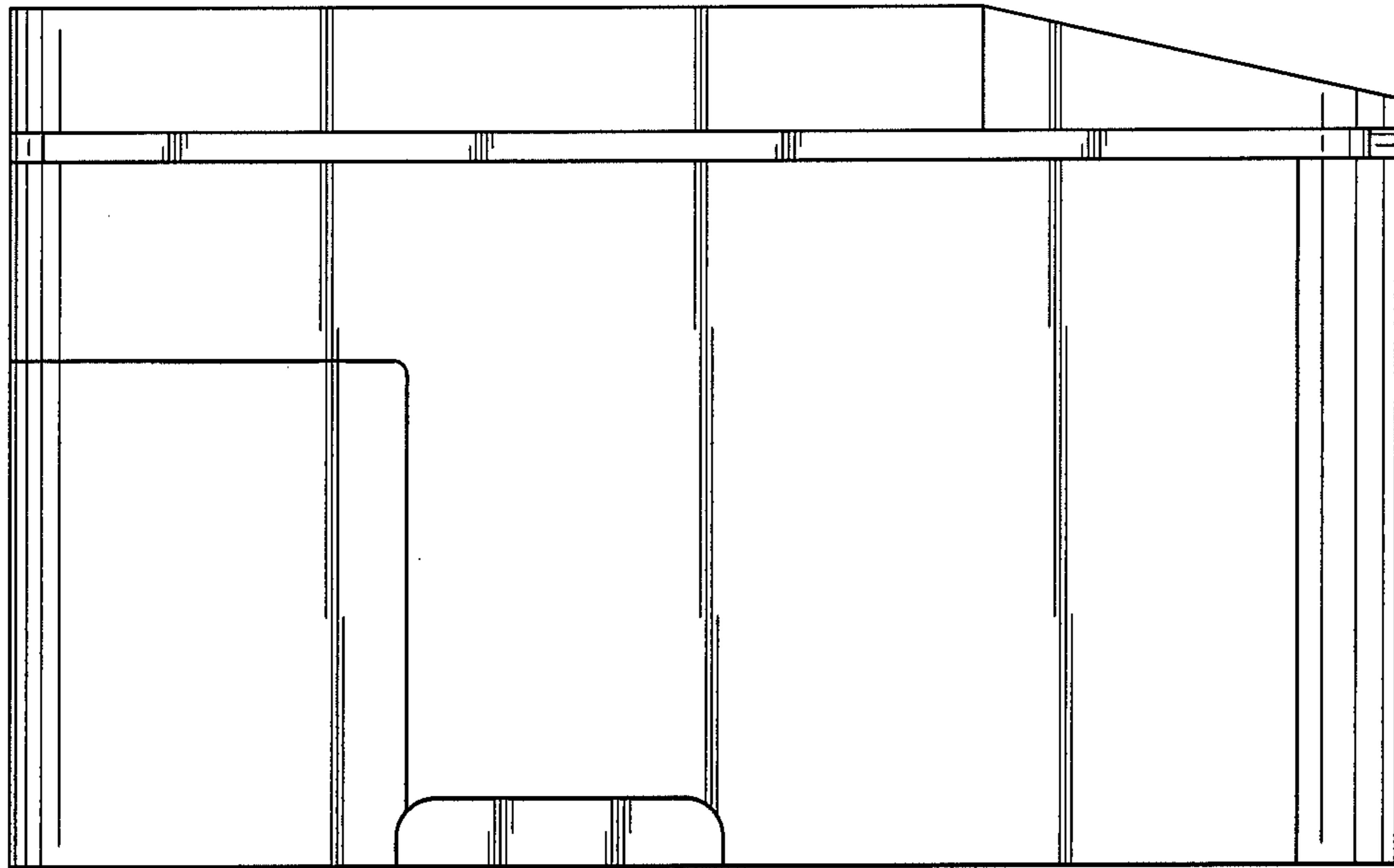


FIG. 4

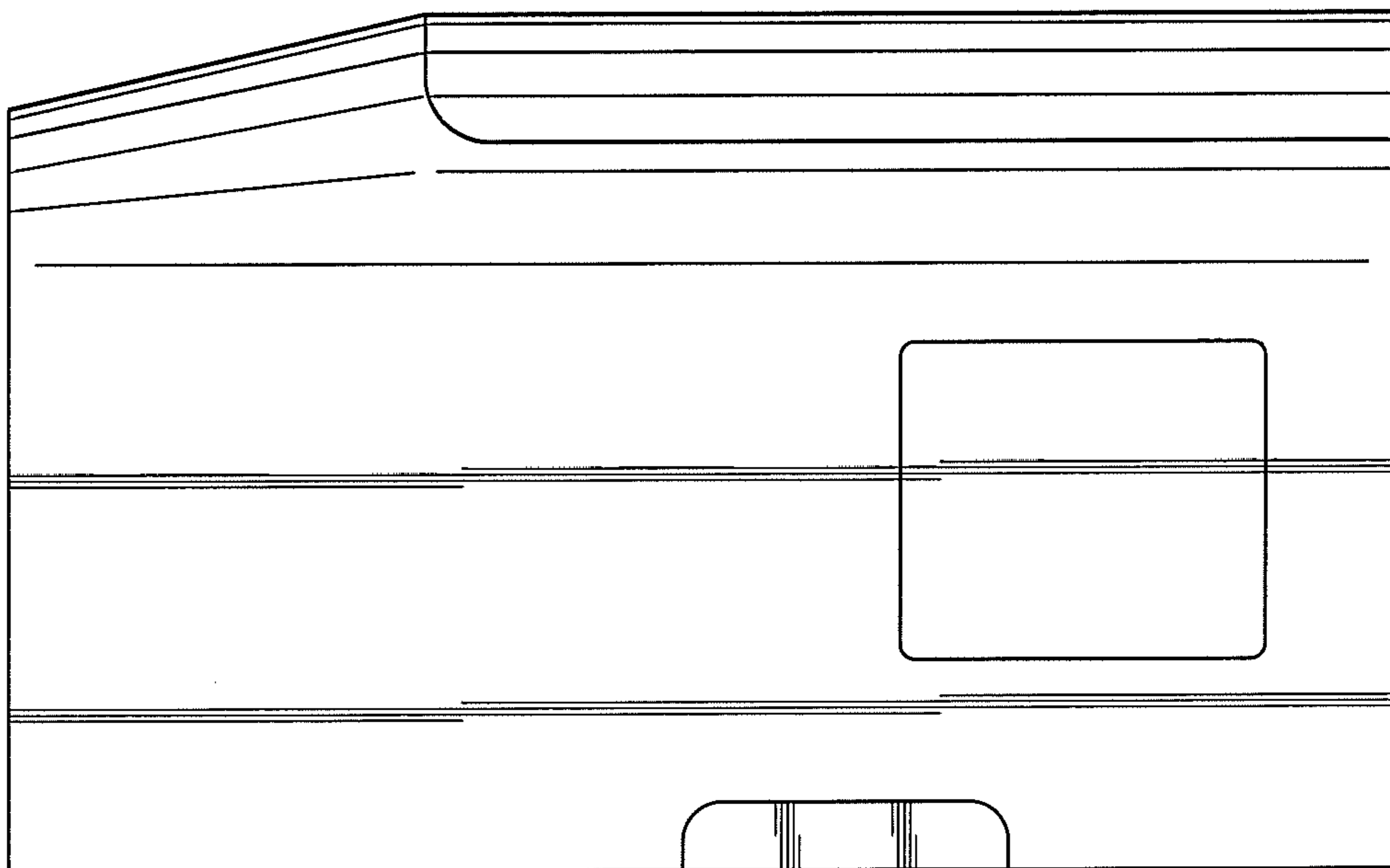


FIG. 5

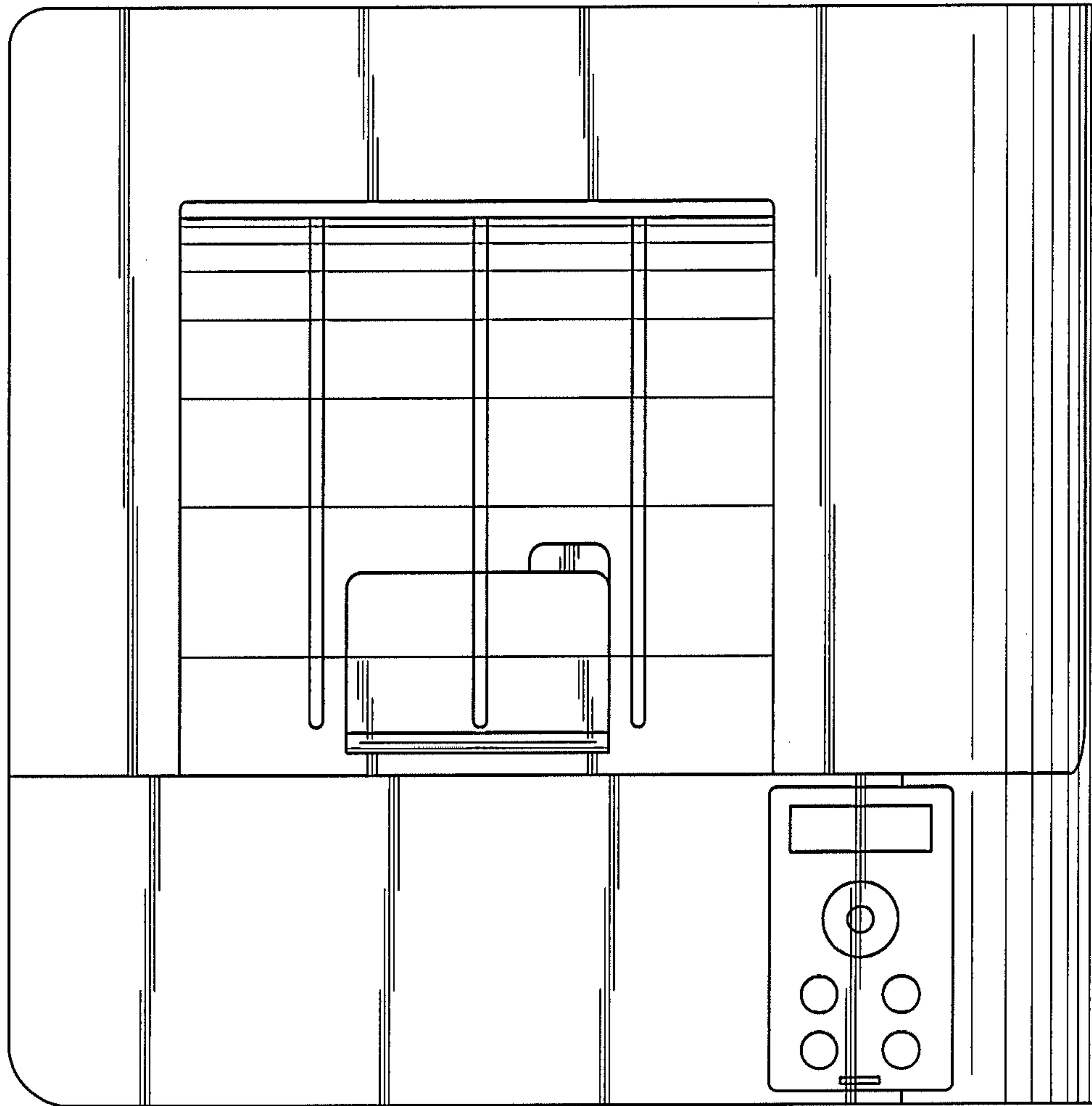


FIG.6

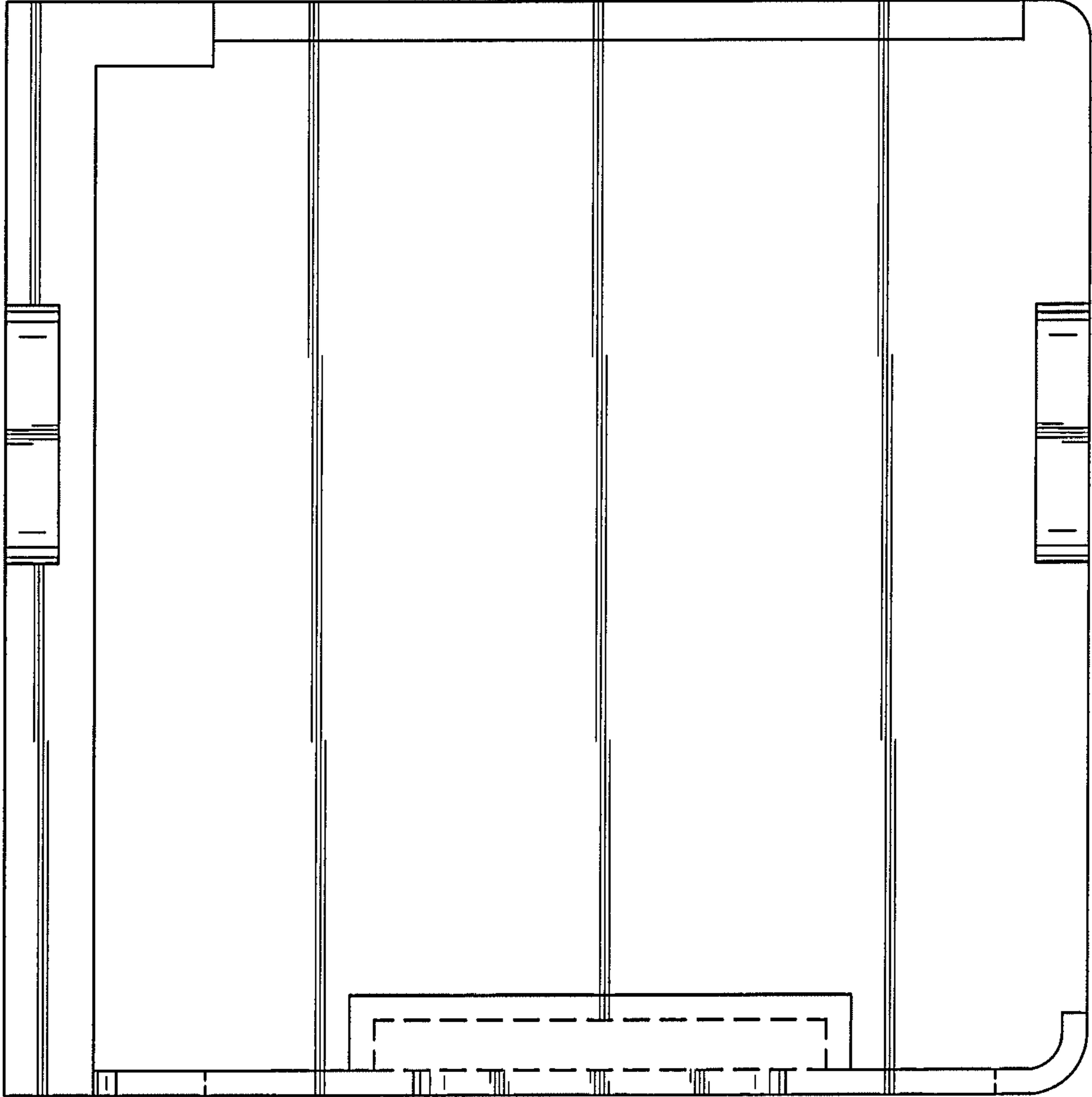


FIG.7