



US00D696342S

(12) **United States Design Patent**
Lewis

(10) **Patent No.:** **US D696,342 S**
(45) **Date of Patent:** **** Dec. 24, 2013**

(54) **DRIVE GEAR FOR IMAGING COMPONENTS**

(75) Inventor: **Lawrence Dale Lewis**, Sanford, NC
(US)

(73) Assignee: **Static Control Components, Inc.**,
Sanford, NC (US)

(**) Term: **14 Years**

(21) Appl. No.: **29/428,828**

(22) Filed: **Aug. 3, 2012**

Related U.S. Application Data

(63) Continuation of application No. 12/858,930, filed on
Aug. 18, 2010, which is a continuation-in-part of
application No. 11/825,262, filed on Jul. 5, 2007, now
Pat. No. 7,813,676.

(51) **LOC (9) Cl.** **16-03**

(52) **U.S. Cl.**
USPC **D18/43**

(58) **Field of Classification Search**
USPC D14/471; D18/12, 36, 40, 43, 44, 56;
222/DIG. 1; 347/197, 222; 399/24–28,
399/107–112, 119, 121, 122, 167, 222–224
See application file for complete search history.

(56) **References Cited**

U.S. PATENT DOCUMENTS

5,019,861	A	5/1991	Surti	
5,128,715	A	7/1992	Furuyama	
5,669,046	A	9/1997	Yoshida	
D395,058	S *	6/1998	Montes	D18/57
5,903,803	A	5/1999	Kawai	
5,926,673	A	7/1999	Foster	
5,987,287	A	11/1999	Huang	
6,029,032	A *	2/2000	Watanabe et al.	399/111
6,128,454	A	10/2000	Kawai	
6,163,665	A	12/2000	Watanabe	

6,173,146	B1	1/2001	Wang	
6,175,706	B1	1/2001	Watanabe	
6,240,266	B1	5/2001	Watanabe	
6,266,478	B1	7/2001	Yoshio	
6,330,409	B1	12/2001	Watanabe	
6,336,018	B1	1/2002	Kawai	
6,349,188	B1	2/2002	Kawai	
6,400,914	B1	6/2002	Noda	
6,501,926	B1	12/2002	Watanabe	
6,501,927	B1	12/2002	Watanabe	
6,885,838	B2	4/2005	Kawai	
6,999,696	B2	2/2006	Noda	
7,212,773	B2	5/2007	Sudo	
7,236,722	B2	6/2007	Portig	
7,272,345	B2	9/2007	Kim	
D618,720	S *	6/2010	Wasai	D18/43
D618,721	S *	6/2010	Wasai	D18/43
D620,522	S *	7/2010	Amano	D18/43
7,813,676	B2	10/2010	Huck	
D667,049	S *	9/2012	Park et al.	D18/43
2004/0190937	A1	9/2004	Mercer	
2009/0010681	A1 *	1/2009	Huck et al.	399/167
2009/0080936	A1 *	3/2009	Parisi et al.	399/167
2010/0196047	A1 *	8/2010	Jin	399/111
2010/0303501	A1 *	12/2010	Tsui	399/167
2012/0045247	A1 *	2/2012	Lewis	399/167
2012/0183331	A1 *	7/2012	Huang et al.	399/167
2012/0257906	A1 *	10/2012	Zhao	399/111

* cited by examiner

Primary Examiner — Garth Rademaker

(57) **CLAIM**

The ornamental design for a drive gear for imaging components, as shown and described.

DESCRIPTION

FIG. 1 is a perspective side view of a drive gear for imaging components;
FIG. 2 is another perspective view thereof;
FIG. 3 is a side view thereof; and,
FIG. 4 is a top view thereof.

1 Claim, 4 Drawing Sheets

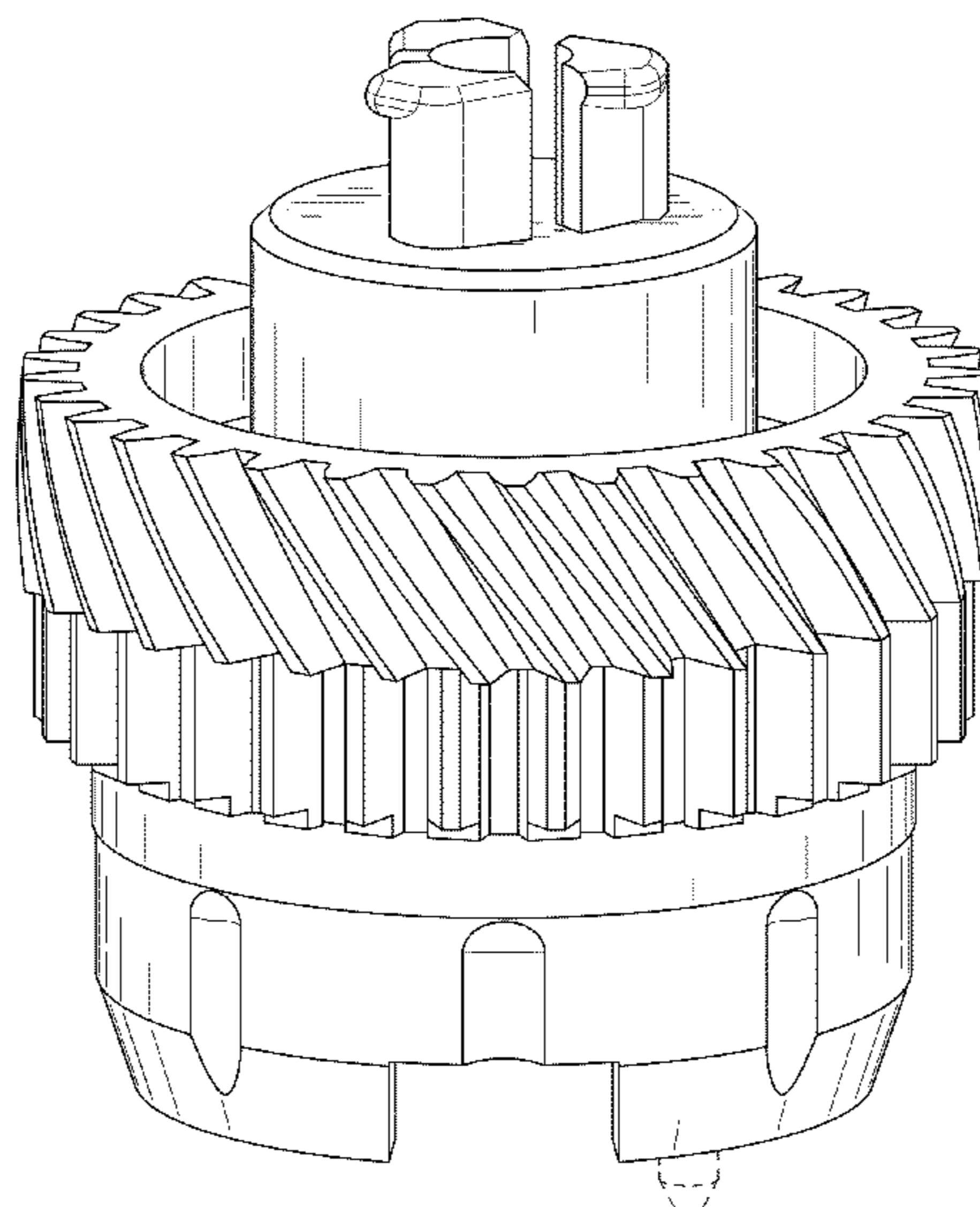


FIG. 1

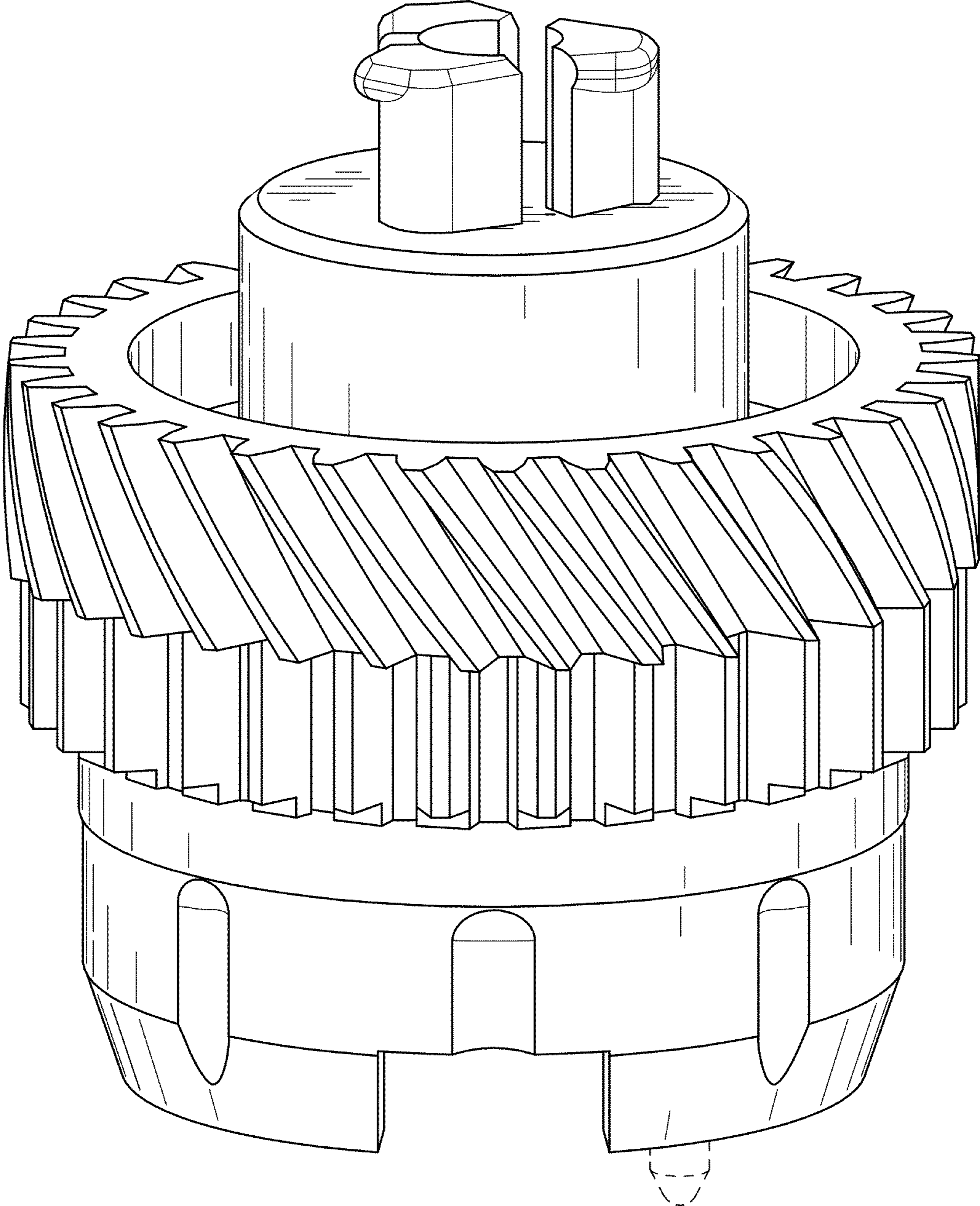


FIG. 2

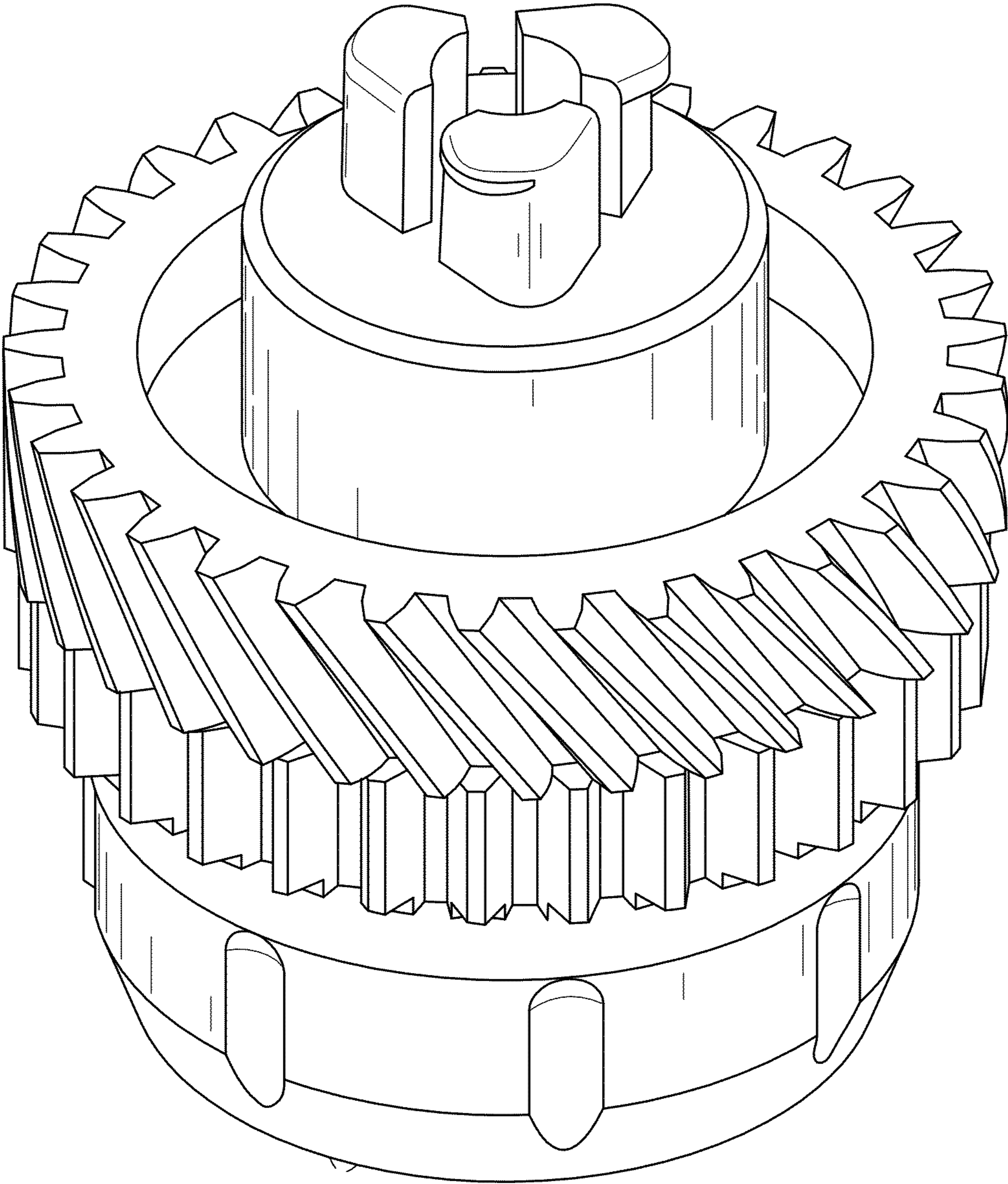


FIG. 3

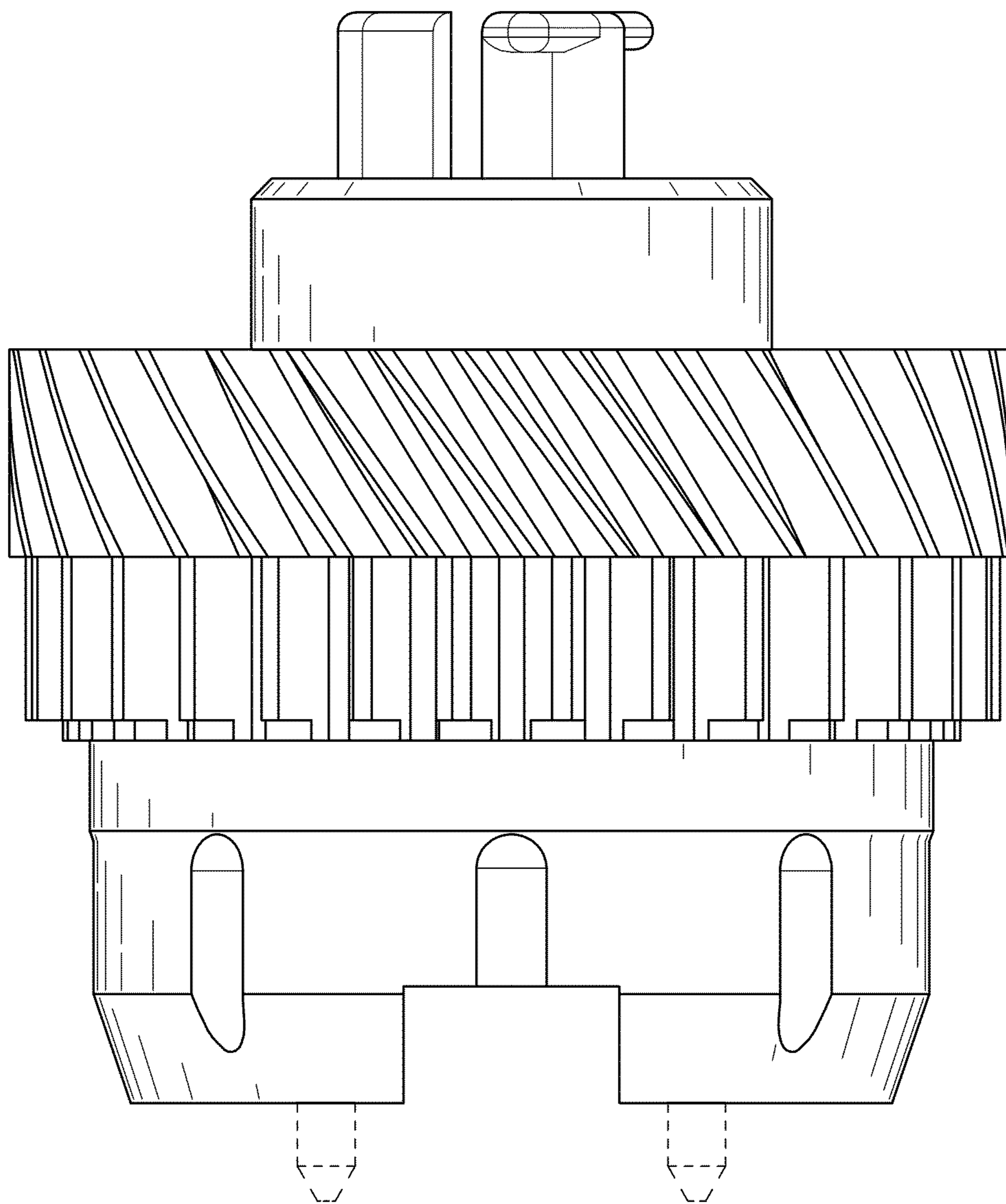


FIG. 4

