



US00D696341S

(12) **United States Design Patent**
Yamada et al.

(10) **Patent No.:** **US D696,341 S**

(45) **Date of Patent:** **** Dec. 24, 2013**

(54) **COPYING MACHINE**

(75) Inventors: **Kazuyoshi Yamada**, Yokohama (JP);
Naoto Tsuruoka, Kawasaki (JP);
Weijiang Sun, Shanghai (CN)

(73) Assignee: **Ricoh Company, Ltd.**, Tokyo (JP)

(**) Term: **14 Years**

(21) Appl. No.: **29/414,528**

(22) Filed: **Feb. 29, 2012**

(51) **LOC (9) Cl.** **16-03**

(52) **U.S. Cl.**

USPC **D18/39**

(58) **Field of Classification Search**

USPC D18/36-41, 44-56; 222/DIG. 1;
271/3.14, 8.1, 226, 278; 355/97, 99;
358/1.1; 399/1-7, 16, 75, 81, 107, 130,
399/151, 361, 365, 367, 381-383, 388

See application file for complete search history.

(56) **References Cited**

U.S. PATENT DOCUMENTS

D374,454 S * 10/1996 Naruki et al. D18/36
D549,769 S * 8/2007 Kawamura et al. D18/39

D549,770 S * 8/2007 Clark, III D18/39
D557,736 S * 12/2007 Horiguchi et al. D18/39
D567,848 S * 4/2008 Kawamura et al. D18/39
D573,177 S * 7/2008 Isogai et al. D18/39
D577,763 S * 9/2008 Hidaka et al. D18/39
8,391,746 B2 * 3/2013 Nishida et al. 399/107

* cited by examiner

Primary Examiner — Garth Rademaker

(74) *Attorney, Agent, or Firm* — Dickstein Shapiro LLP

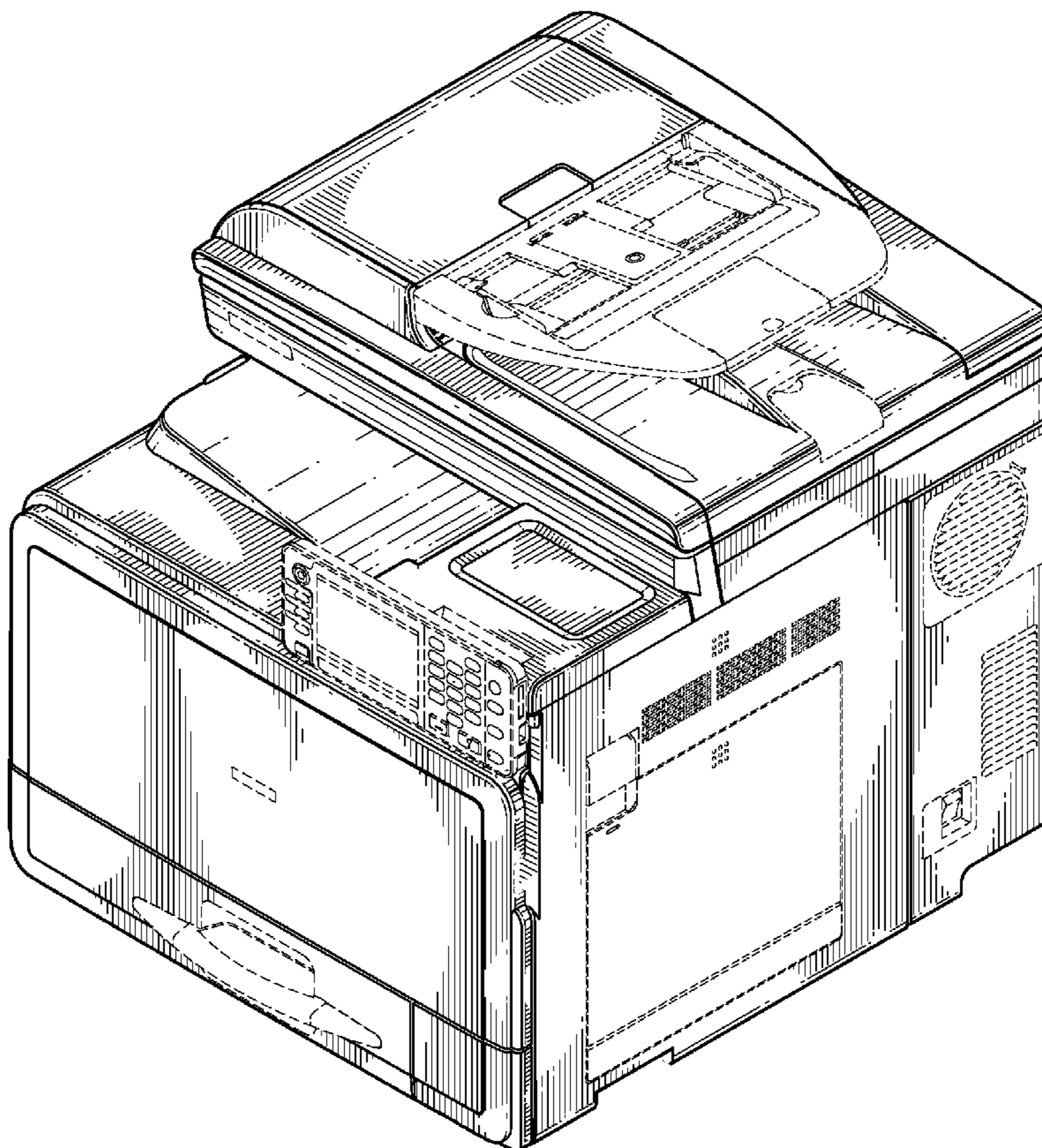
(57) **CLAIM**

The ornamental design for a copying machine, as shown and described.

DESCRIPTION

FIG. 1 is a front view of a copying machine, showing the new design;
FIG. 2 is a rear view thereof;
FIG. 3 is a right-side view thereof;
FIG. 4 is a left-side view thereof;
FIG. 5 is a top view thereof;
FIG. 6 is a bottom view thereof; and,
FIG. 7 is a front, left side, and top perspective view thereof.
The broken line showing of portions of the copying machine is for the purpose of illustrating environmental structure and forms no part of the claimed design.

1 Claim, 4 Drawing Sheets



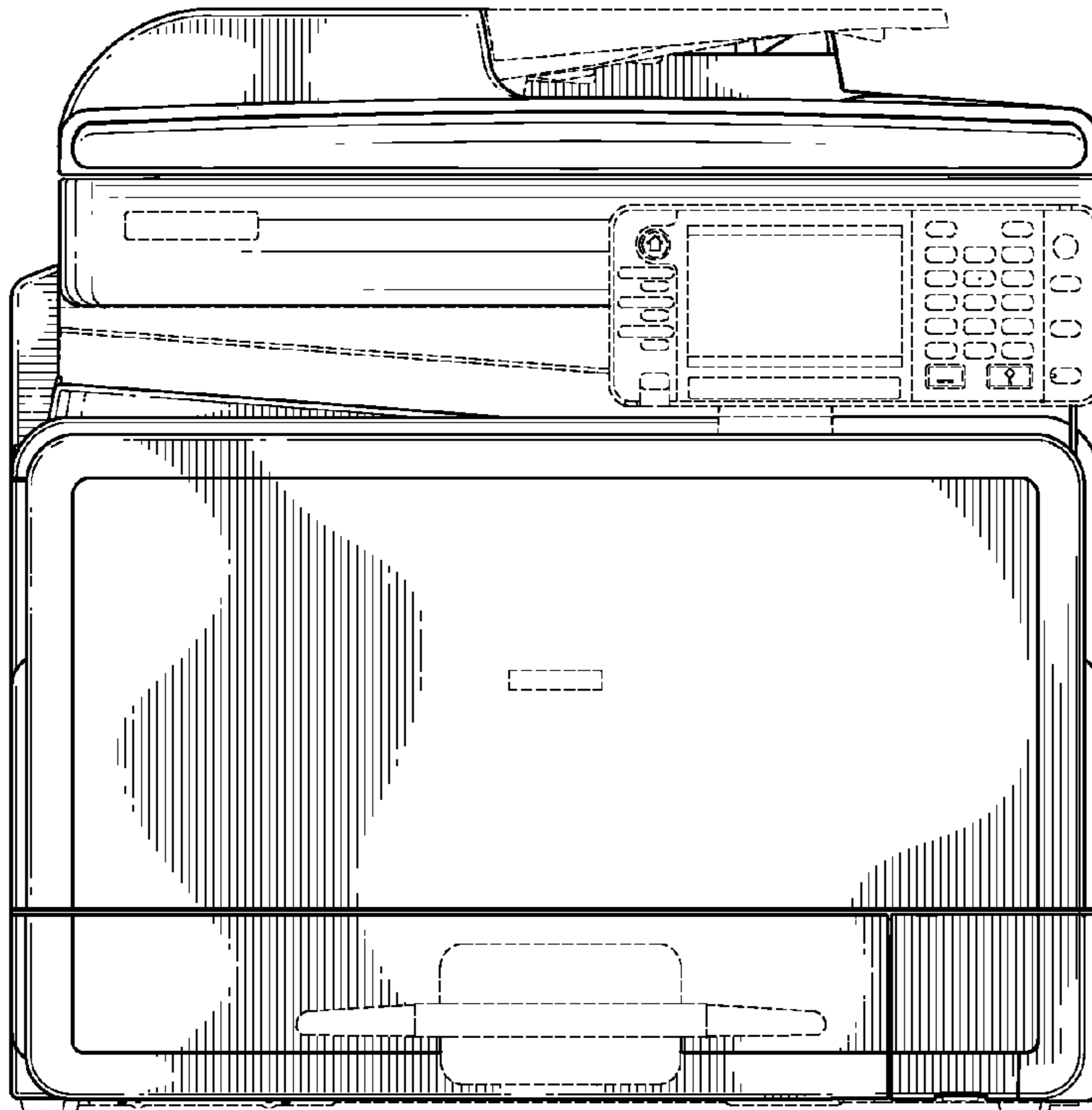


FIG. 1

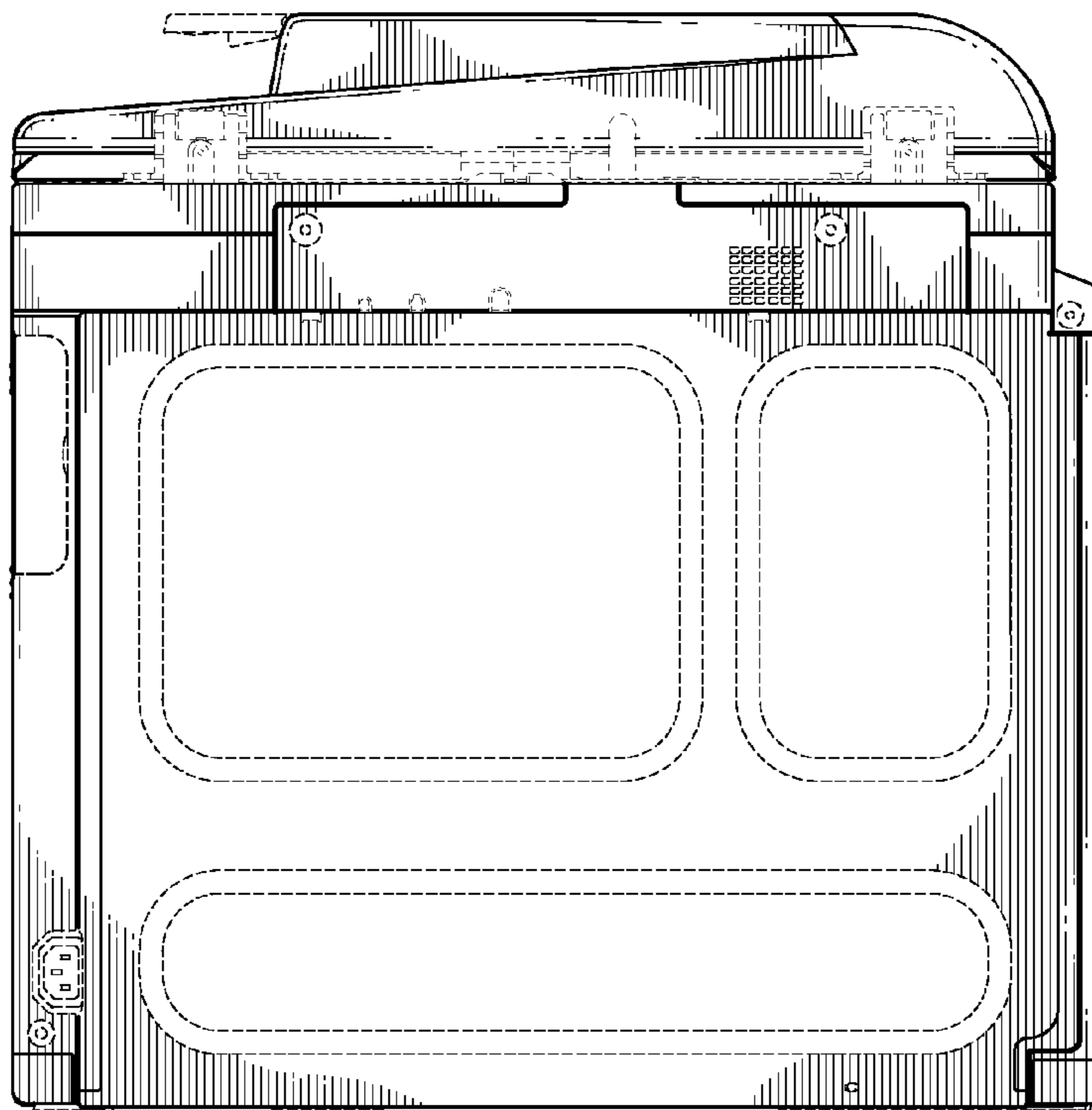


FIG. 2

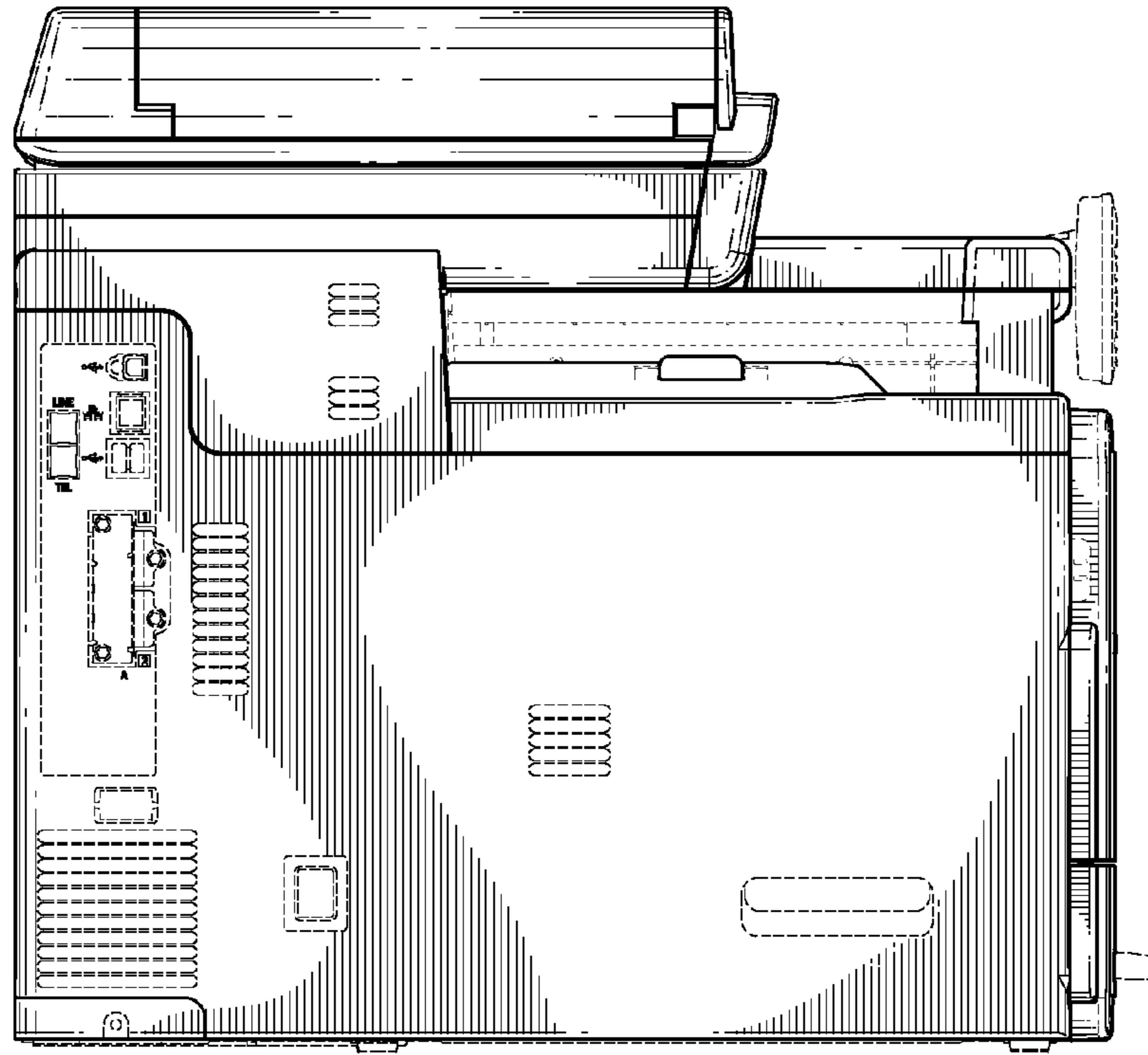


FIG. 3

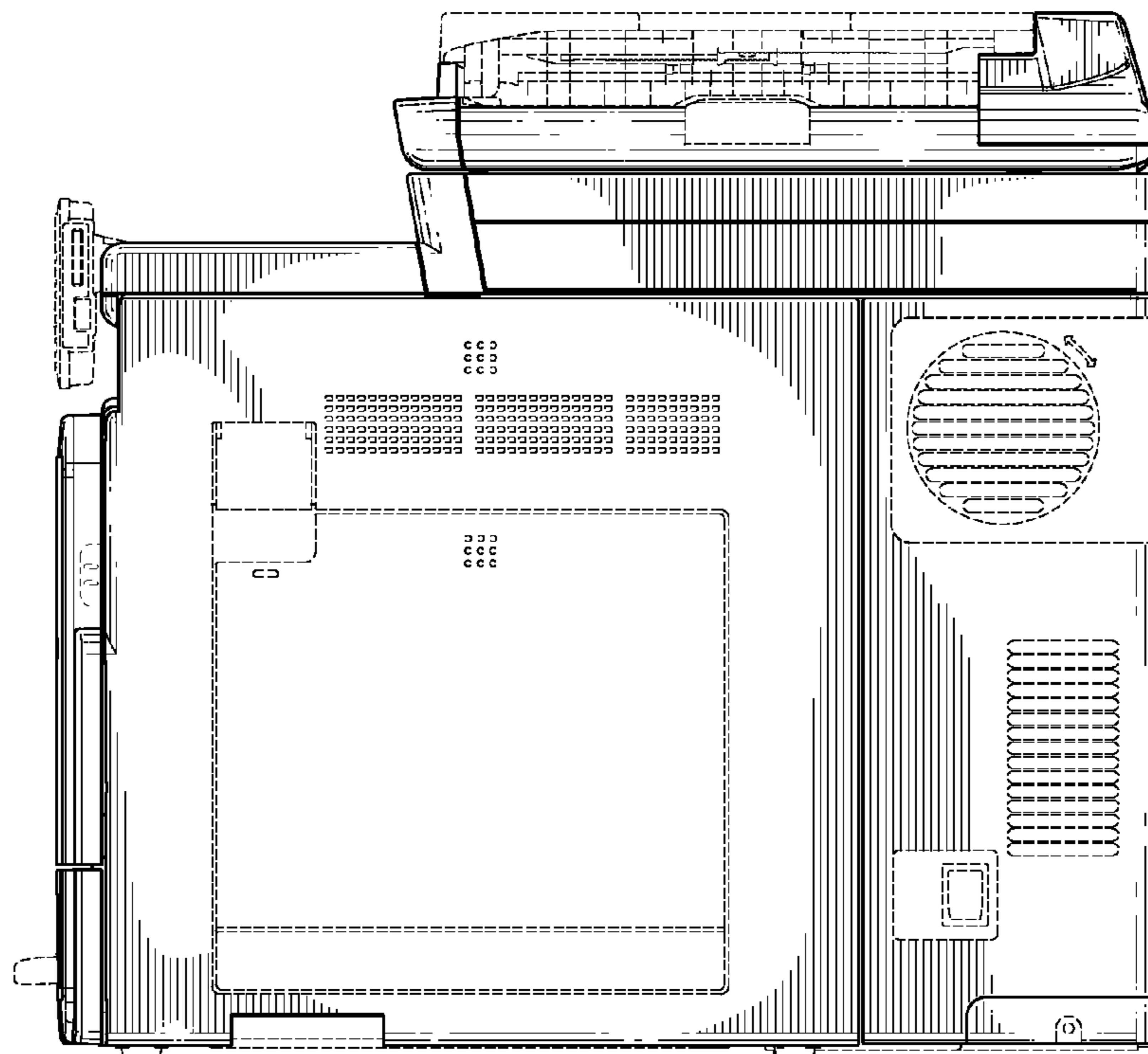


FIG. 4

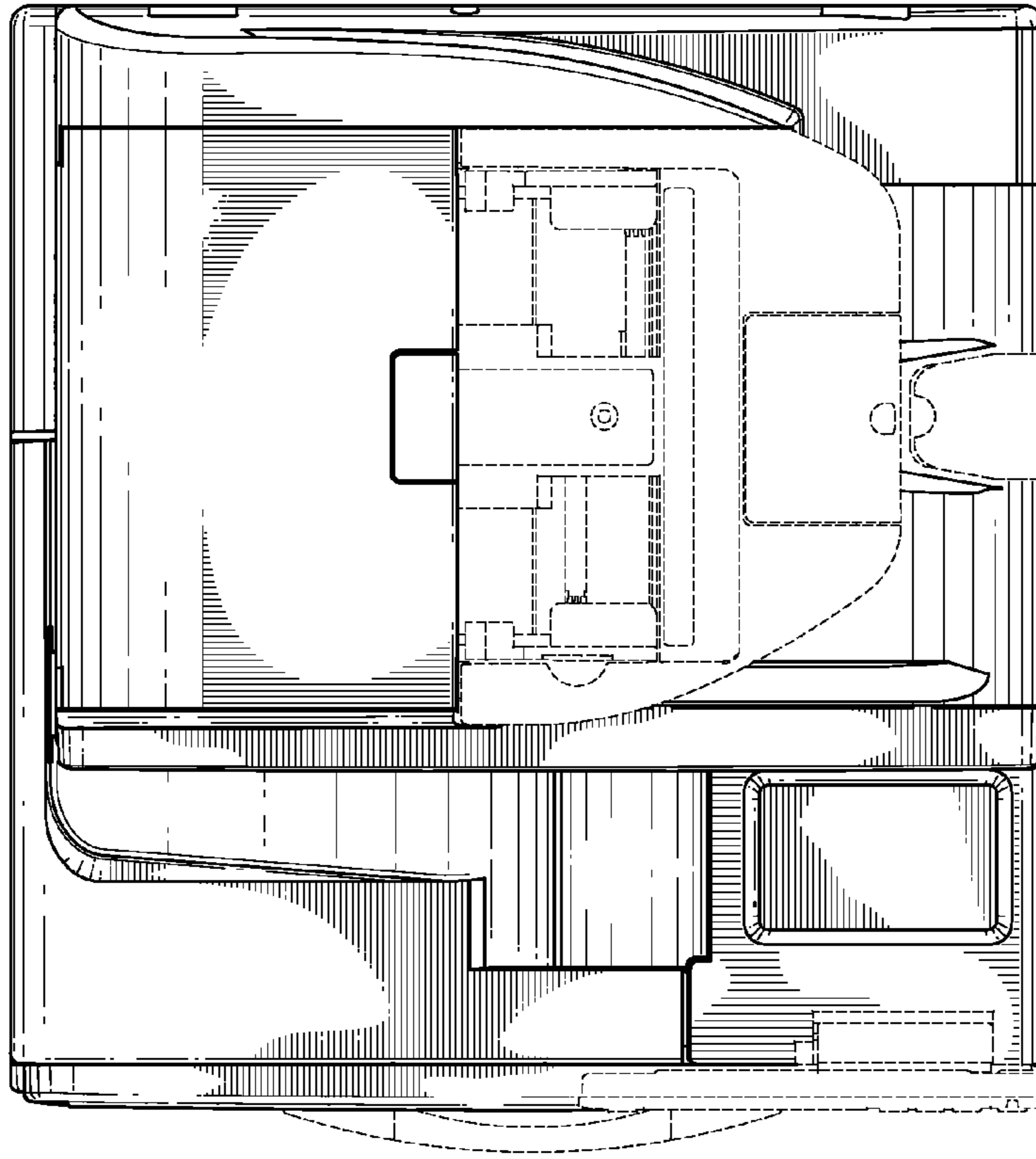


FIG. 5

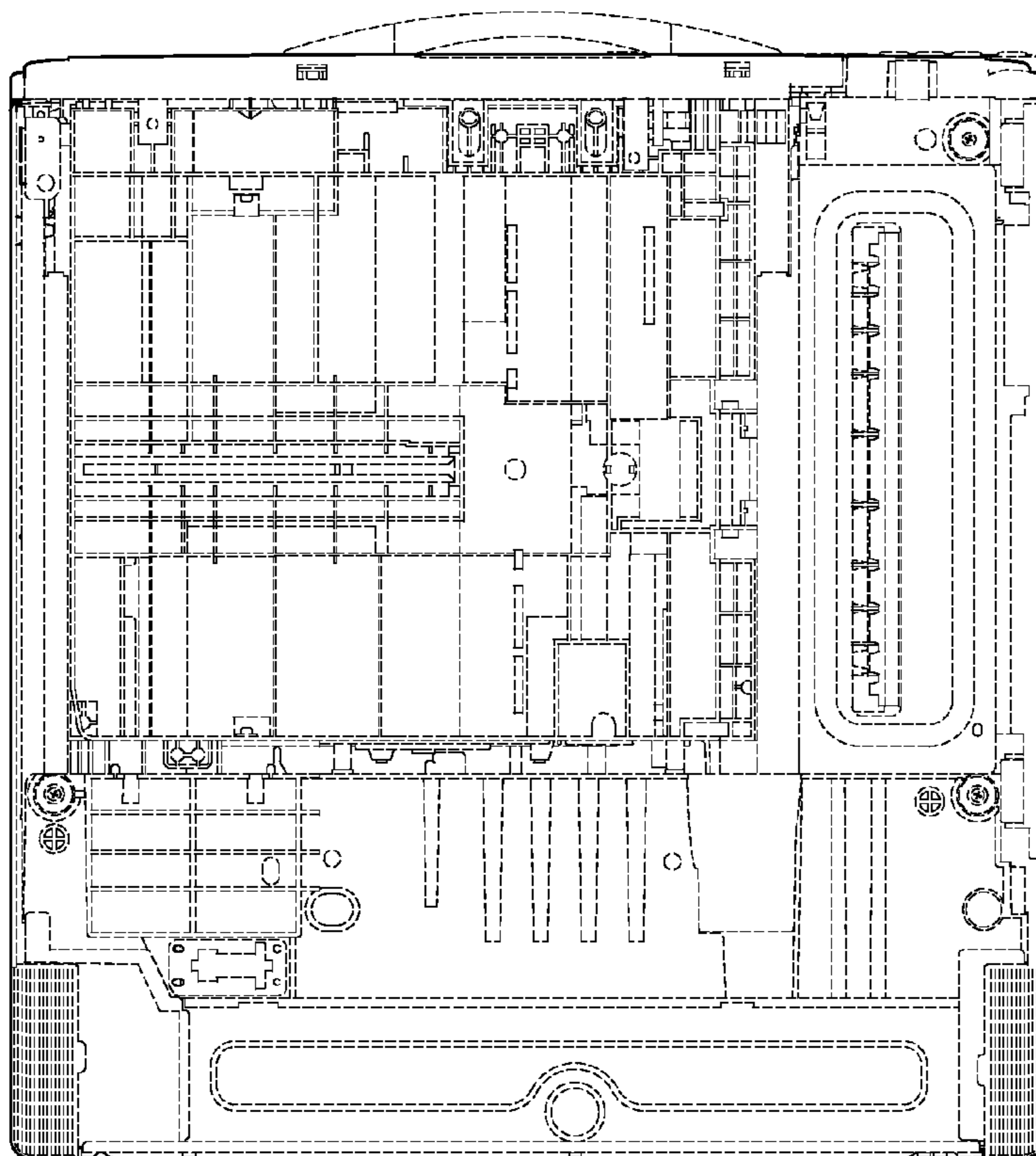


FIG. 6

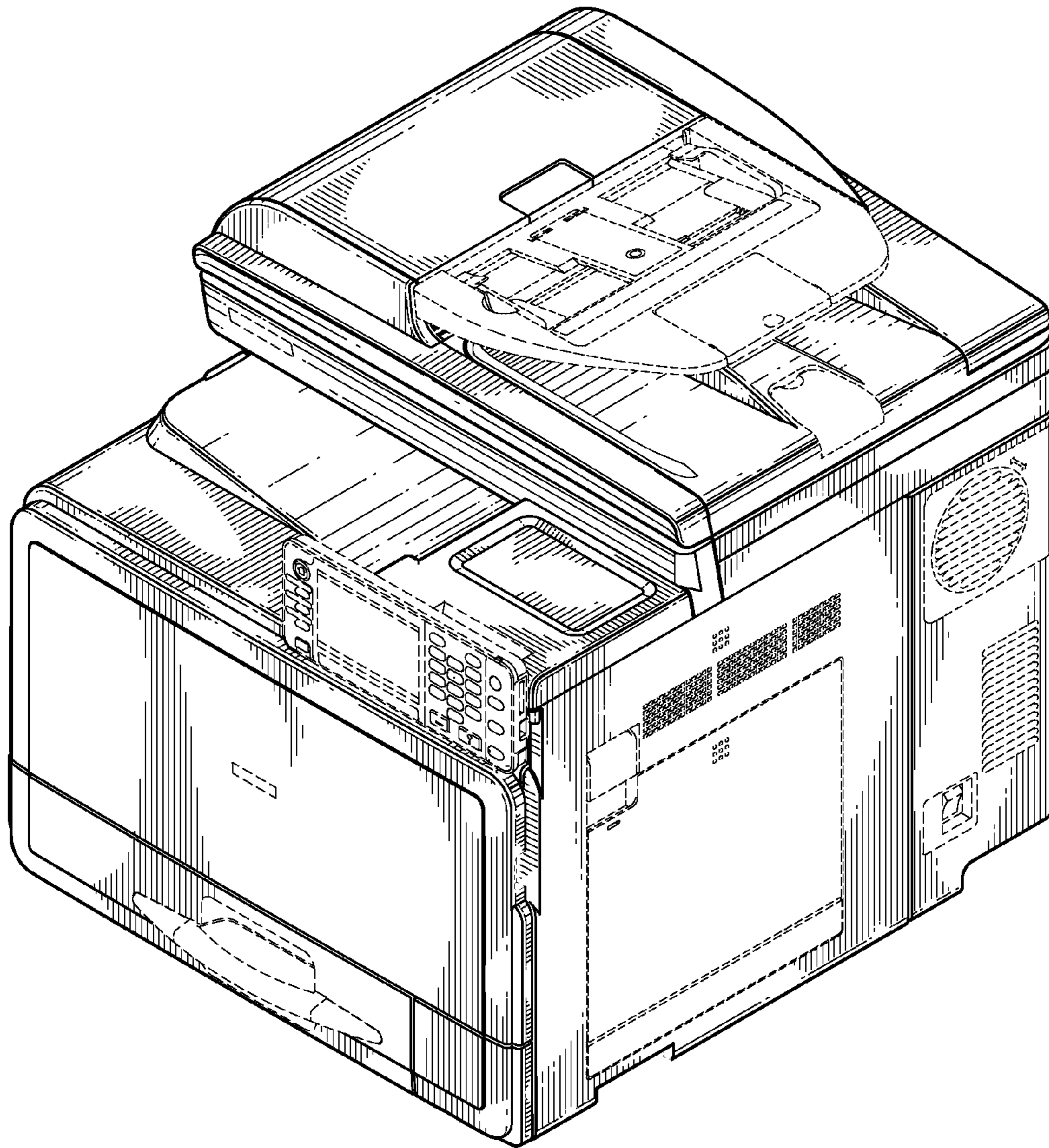


FIG. 7