

US00D696339S

(12) **United States Design Patent**  
**Hasui et al.**

(10) **Patent No.:** **US D696,339 S**

(45) **Date of Patent:** **\*\* Dec. 24, 2013**

(54) **ELECTRONIC CUTTER**

(56) **References Cited**

(71) Applicants: **Kayo Hasui**, Nagoya (JP); **Mitsuharu Hattori**, Nagoya (JP); **Masahide Asano**, Nagoya (JP)

U.S. PATENT DOCUMENTS

D390,597 S	*	2/1998	Igarashi et al.	.....	D18/55
D419,591 S	*	1/2000	Pangburn	.....	D18/55
D483,059 S	*	12/2003	Goh et al.	.....	D18/50
D552,166 S	*	10/2007	Ohashi	.....	D18/50
D650,387 S	*	12/2011	Iwatsu et al.	.....	D14/422
D656,180 S	*	3/2012	Corcoran et al.	.....	D18/34.3
D669,080 S	*	10/2012	Iwai et al.	.....	D14/422
D680,157 S	*	4/2013	Umezawa et al.	.....	D18/34.3
D682,328 S	*	5/2013	Day et al.	.....	D15/146

(72) Inventors: **Kayo Hasui**, Nagoya (JP); **Mitsuharu Hattori**, Nagoya (JP); **Masahide Asano**, Nagoya (JP)

\* cited by examiner

(73) Assignee: **Brother Industries, Ltd.**, Nagoya (JP)

*Primary Examiner* — Cathy A MacCormac

(\*\*) Term: **14 Years**

(74) *Attorney, Agent, or Firm* — Oliff & Berridge, PLC

(21) Appl. No.: **29/441,909**

(57) **CLAIM**

(22) Filed: **Jan. 10, 2013**

The ornamental design for an electronic cutter, as shown and described.

(30) **Foreign Application Priority Data**

**DESCRIPTION**

Jul. 17, 2012 (JP) ..... 2012-16915

FIG. 1 is a perspective view of an electronic cutter;

(51) **LOC (9) Cl.** ..... **18-04**

FIG. 2 is a front view thereof;

(52) **U.S. Cl.**  
USPC ..... **D18/34.3**

FIG. 3 is a top view thereof;

(58) **Field of Classification Search**  
USPC ..... D18/34.1, 34.3, 34.9; D19/72;  
83/613-614; 241/36, 37.5, 100, 236

FIG. 4 is a left side view thereof;

FIG. 5 is a right side view thereof;

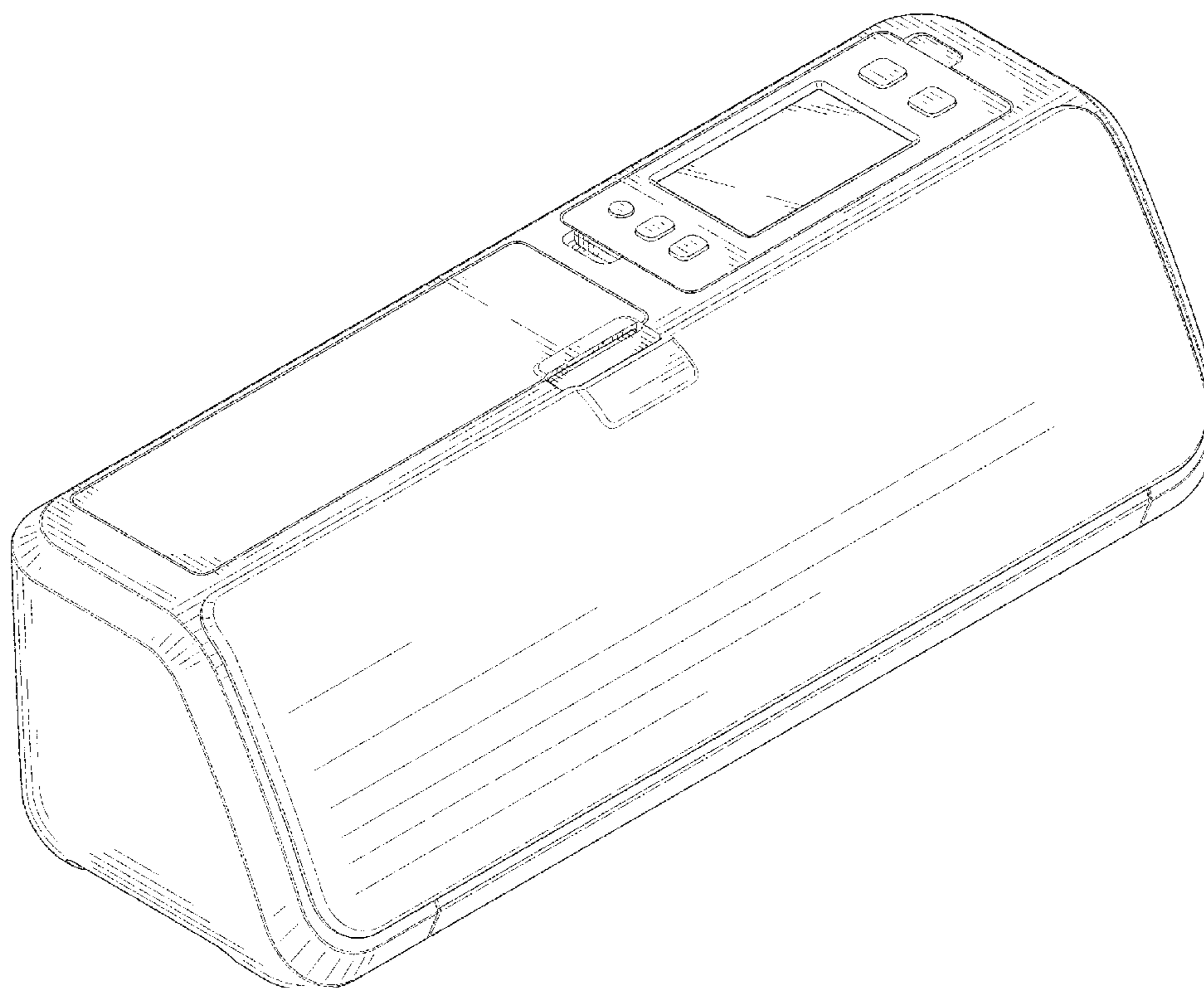
FIG. 6 is a rear view thereof; and,

FIG. 7 is a bottom view thereof.

The broken lines depict environmental subject matter only and form no part of the claimed design.

See application file for complete search history.

**1 Claim, 6 Drawing Sheets**



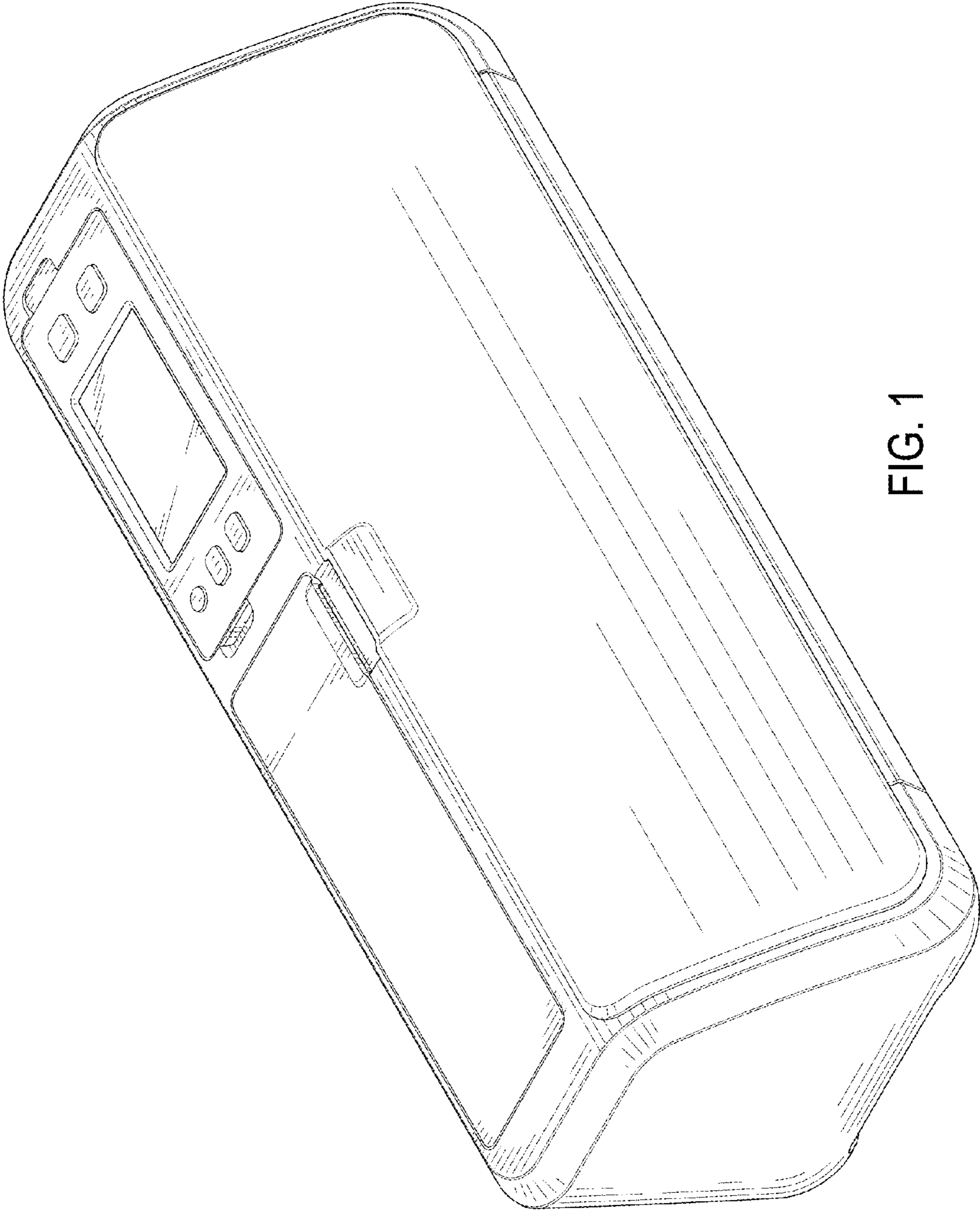


FIG. 1

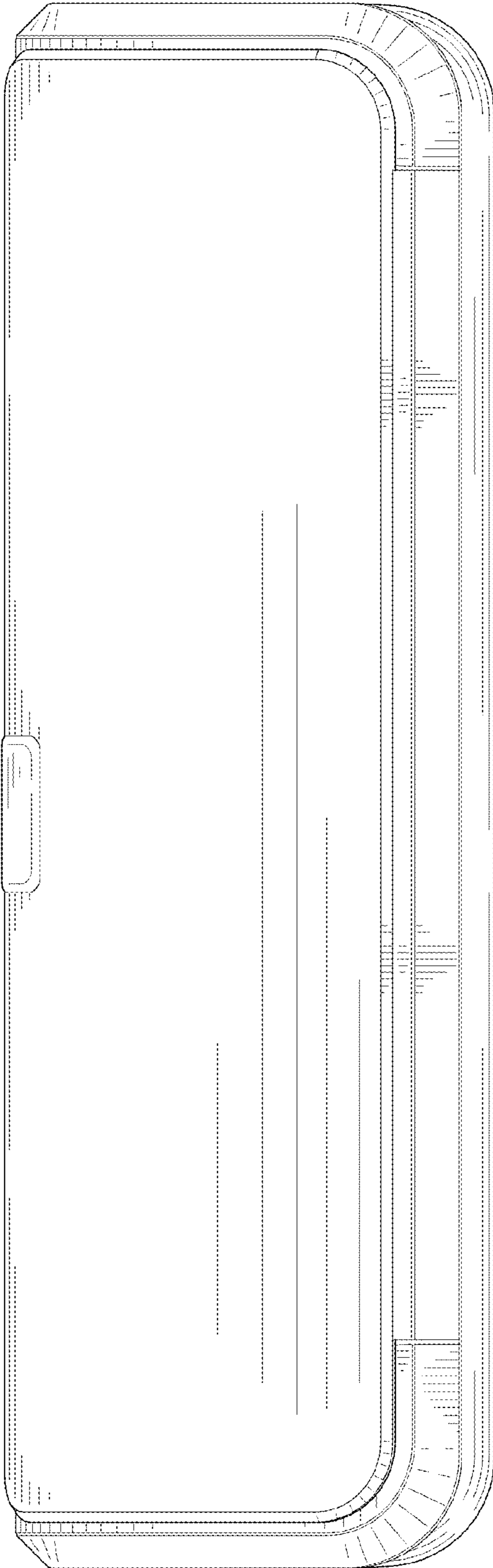


FIG. 2

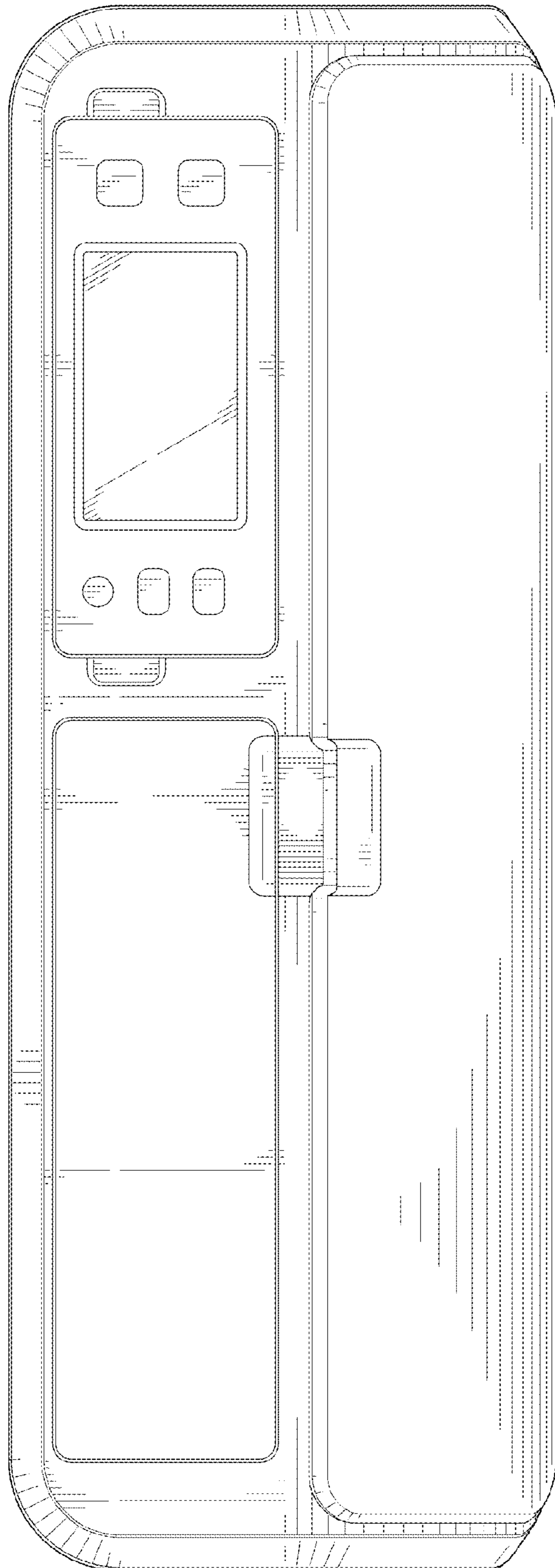


FIG. 3

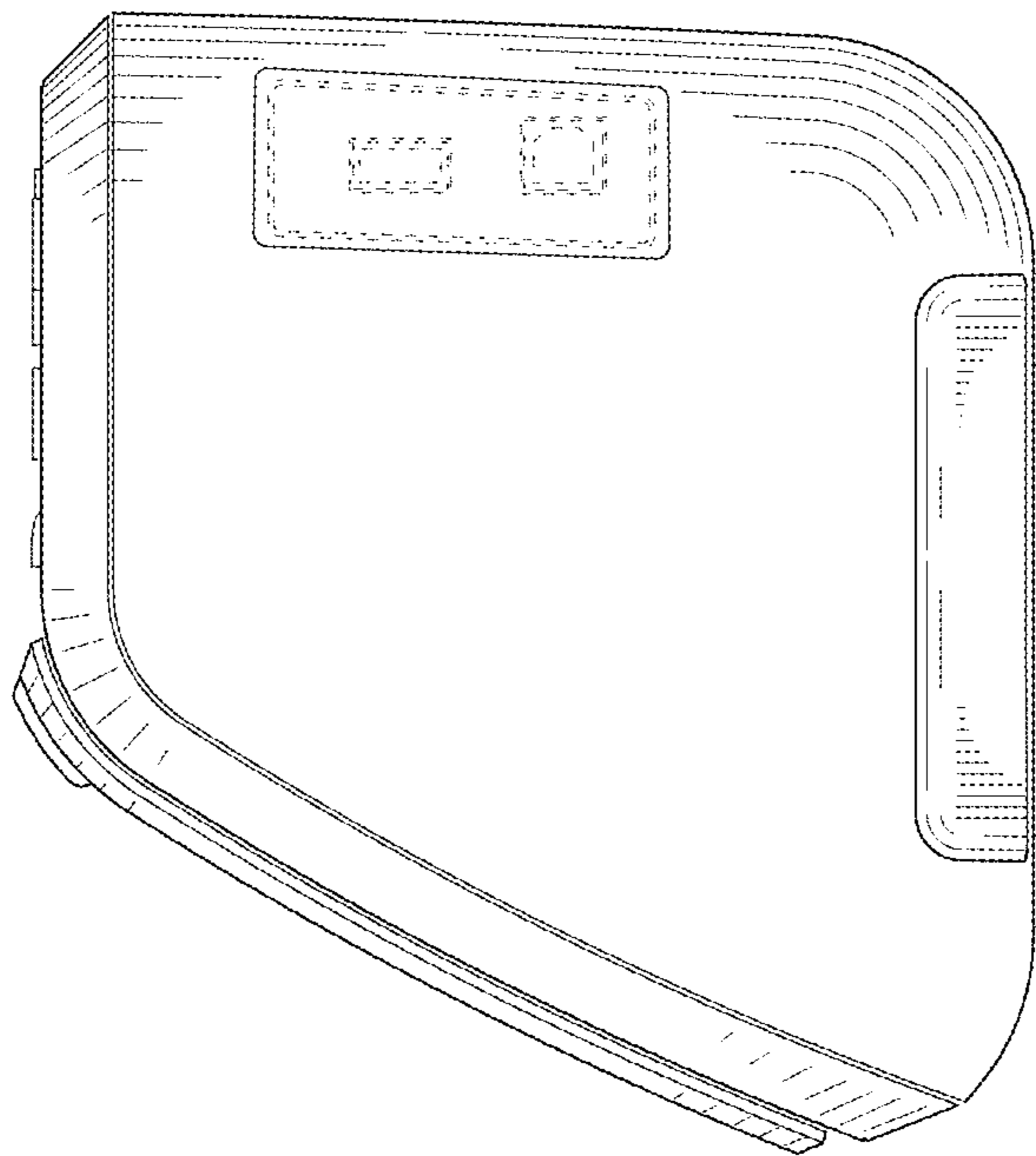


FIG. 5

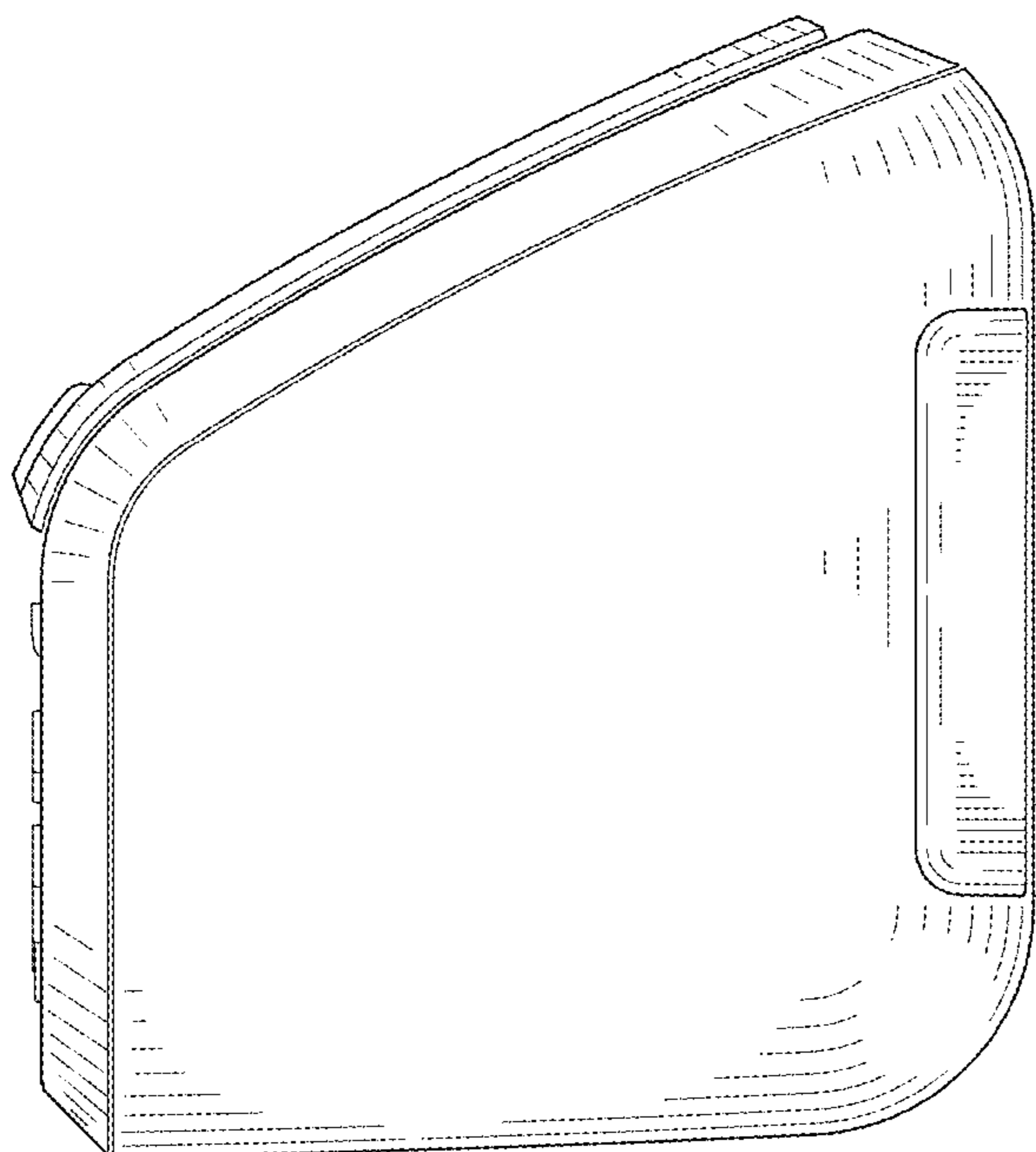


FIG. 4

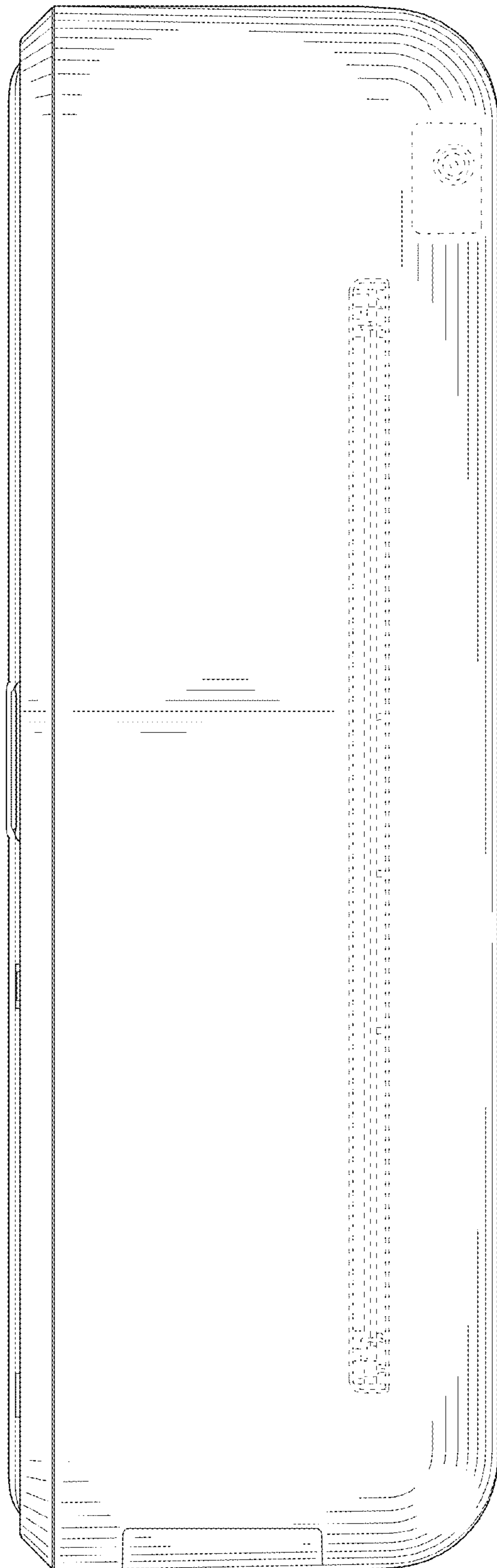


FIG. 6

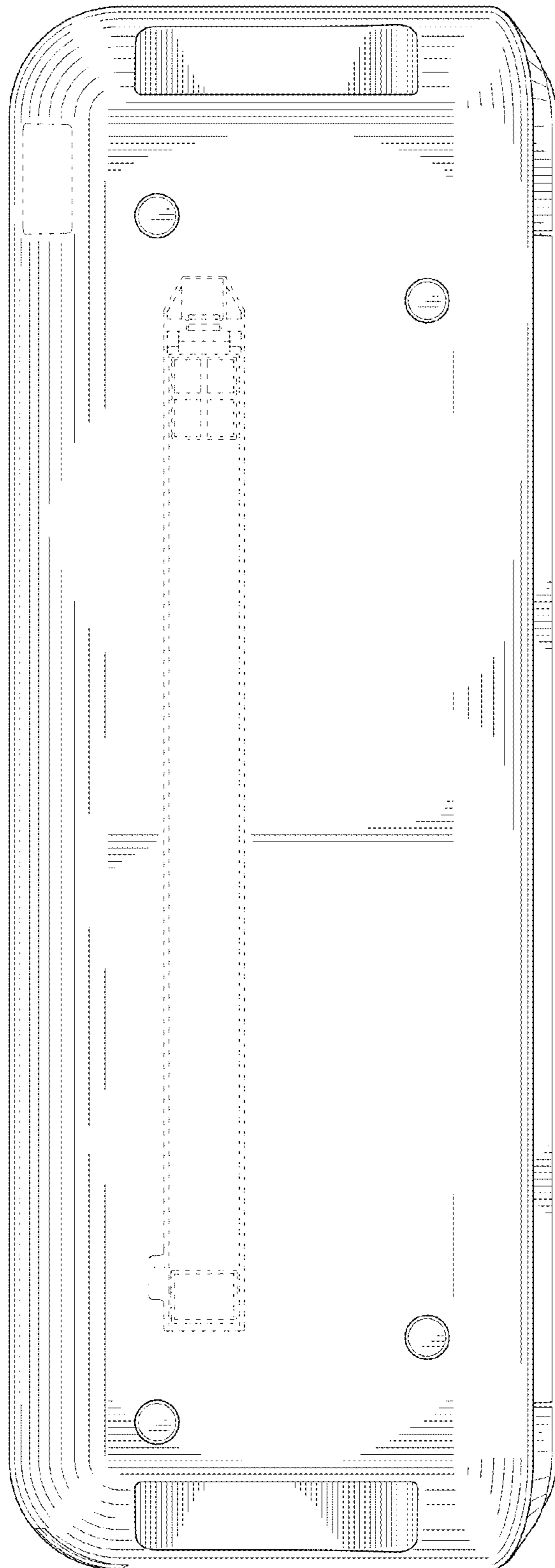


FIG. 7