

US00D696336S

(12) **United States Design Patent**
Jannard et al.

(10) **Patent No.:** **US D696,336 S**
(45) **Date of Patent:** **** Dec. 24, 2013**

(54) **CAMERA COMPONENT**

(75) Inventors: **James H. Jannard**, Las Vegas, NV
(US); **Matthew Gene Tremblay**, Laguna
Beach, CA (US); **Peter Jarred Land**,
Lake Forest, CA (US)

(73) Assignee: **Red.com, Inc.**, Irvine, CA (US)

(**) Term: **14 Years**

(21) Appl. No.: **29/374,827**

(22) Filed: **Oct. 11, 2011**

Related U.S. Application Data

(62) Division of application No. 29/348,409, filed on Dec.
30, 2009, now Pat. No. Des. 649,576.

(51) **LOC (9) Cl.** **16-05**

(52) **U.S. Cl.**
USPC **D16/242**

(58) **Field of Classification Search**
USPC D16/242, 245; 248/176.1, 185.1, 187.1;
352/243; 396/419, 421, 428
See application file for complete search history.

(56) **References Cited**

U.S. PATENT DOCUMENTS

2,651,981	A *	9/1953	Calhoun	352/243
5,429,332	A	7/1995	Ishikawa		
5,752,112	A *	5/1998	Paddock et al.	352/243
D399,230	S	10/1998	Tenne		
6,188,849	B1 *	2/2001	Staicouras	396/421

D483,789	S	12/2003	Dordick		
6,773,172	B1 *	8/2004	Johnson et al.	248/187.1
7,946,771	B2 *	5/2011	Boneschanscher et al.	..	396/419
D640,306	S *	6/2011	Hashiguchi	D16/245
D656,533	S *	3/2012	Dordick	D16/242
D675,661	S *	2/2013	Jannard et al.	D16/242

* cited by examiner

Primary Examiner — Adir Aronovich

(74) *Attorney, Agent, or Firm* — Gregory K. Nelson

(57) **CLAIM**

The ornamental design for a camera component, as shown
and described.

DESCRIPTION

FIG. 1 is a front and left side perspective view of a camera
component of the present invention;

FIG. 2 is a top plan view of the camera component of FIG. 1;
FIG. 3 is a bottom plan view of the camera component of FIG.
1;

FIG. 4 is a left-side elevational view of the camera component
of FIG. 1;

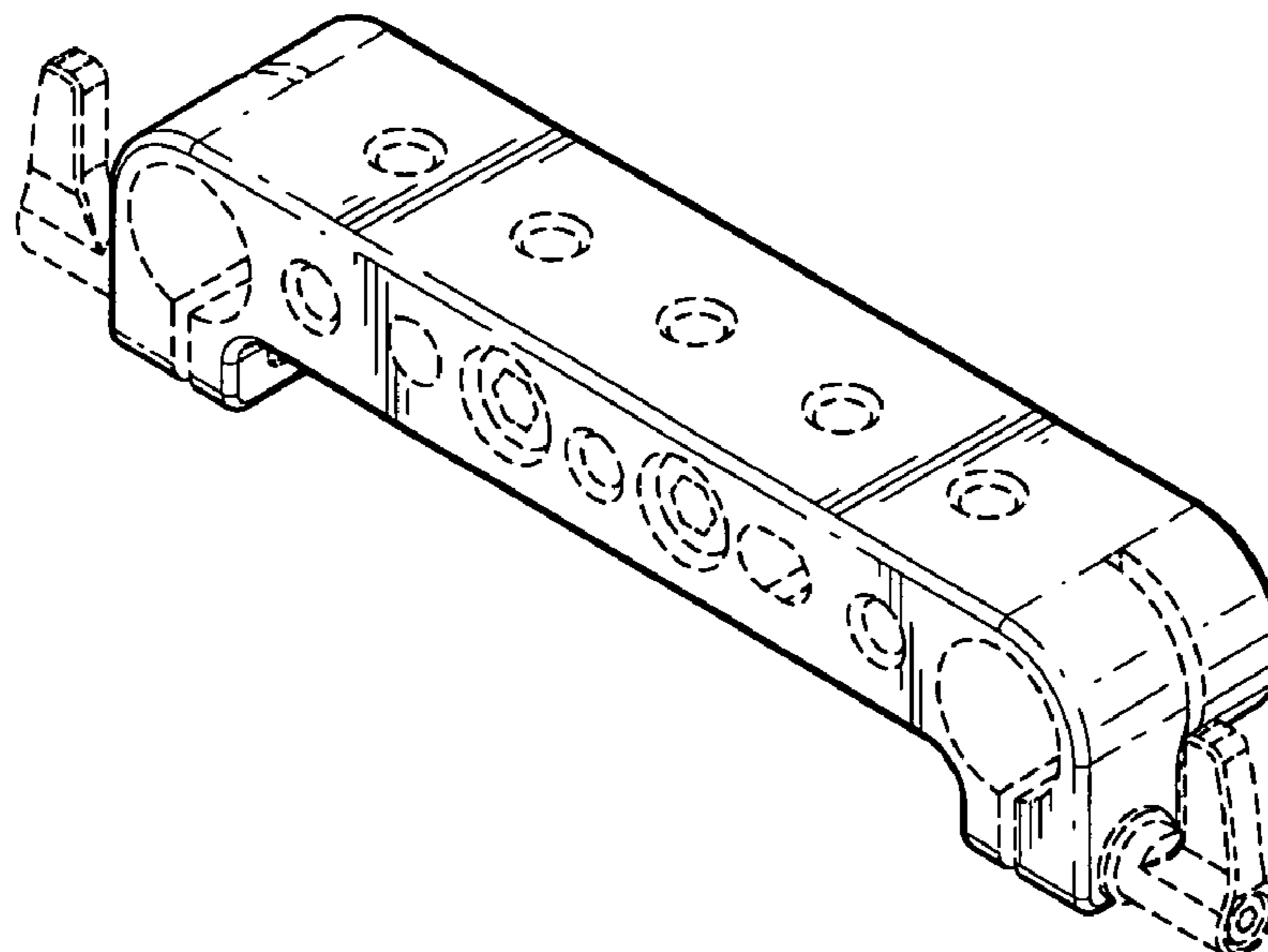
FIG. 5 is a right-side elevational view of the camera compo-
nent of FIG. 1;

FIG. 6 is a front elevational view of the camera component of
FIG. 1; and,

FIG. 7 is a rear elevational view of the camera component of
FIG. 1.

The broken line showing on the drawing disclosure is for
illustrative purposes only and forms no part of the claimed
design.

1 Claim, 3 Drawing Sheets



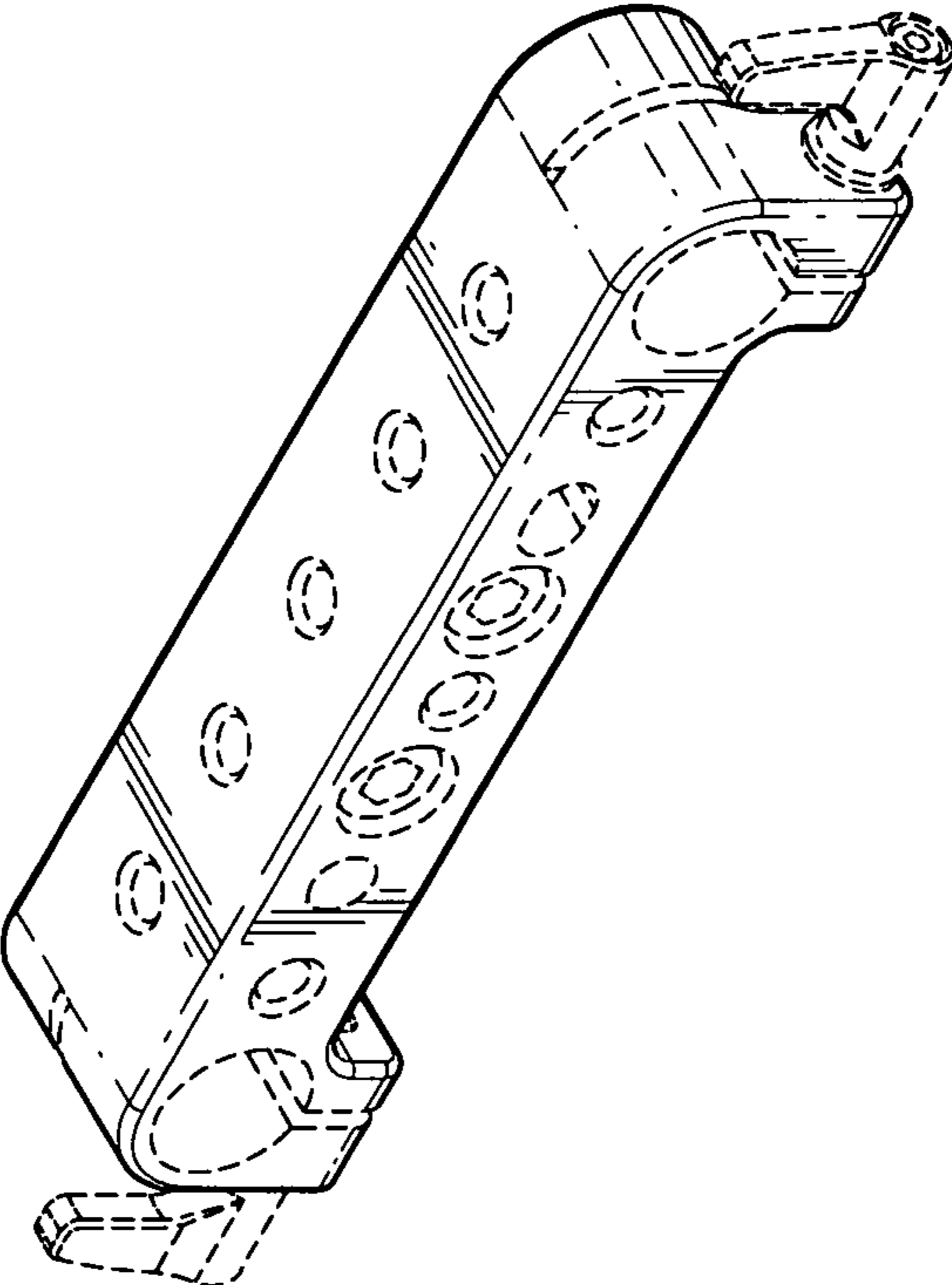


FIG. 1

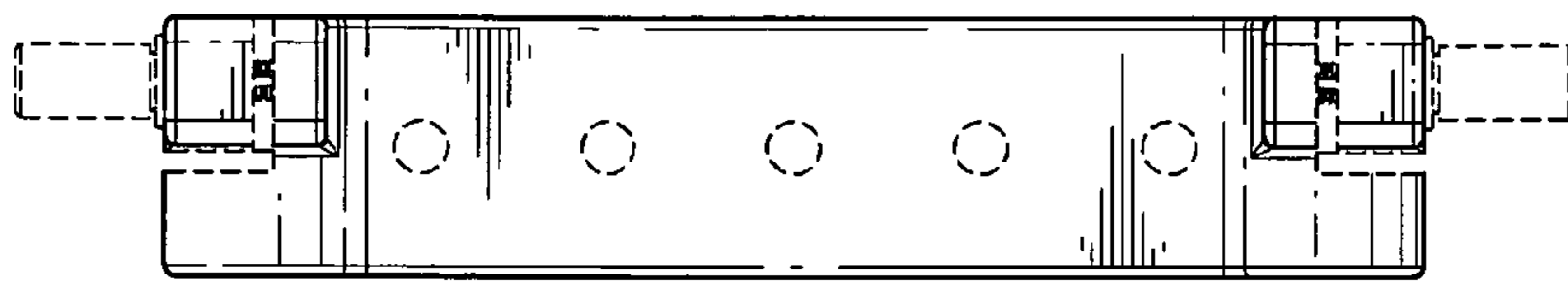


FIG. 3

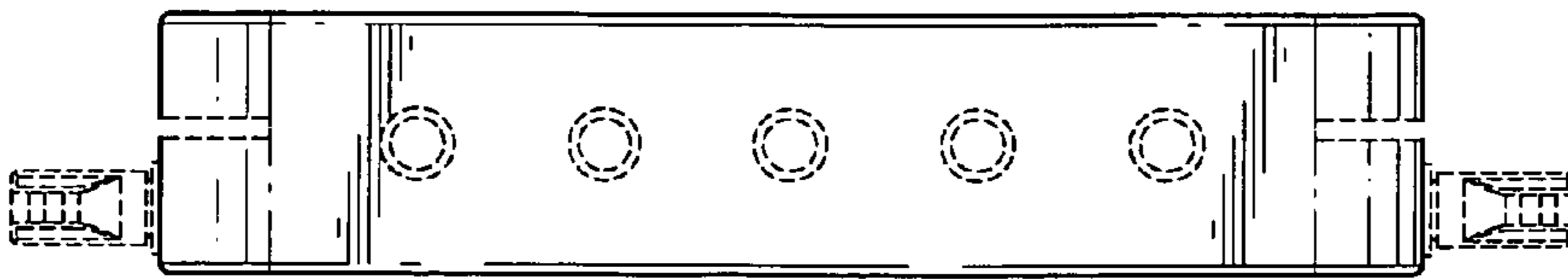


FIG. 2

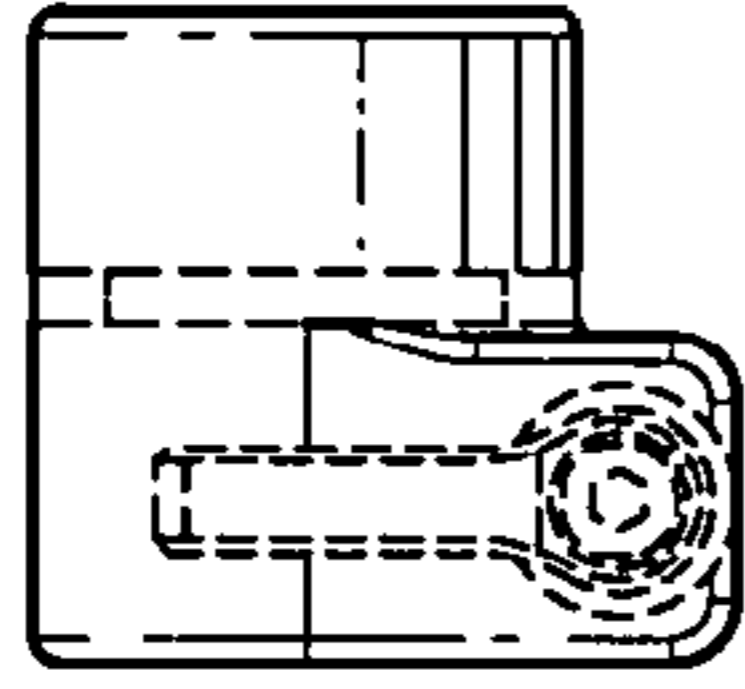


FIG. 6

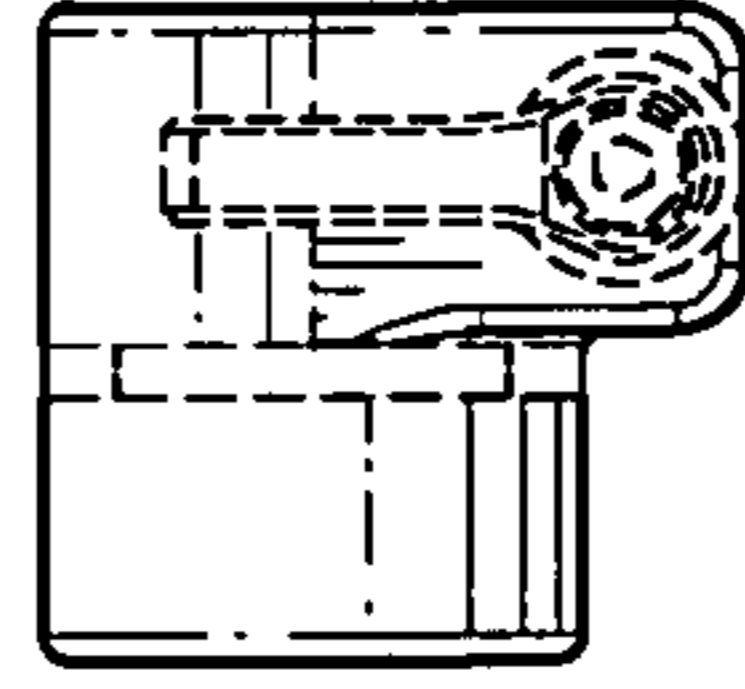


FIG. 7

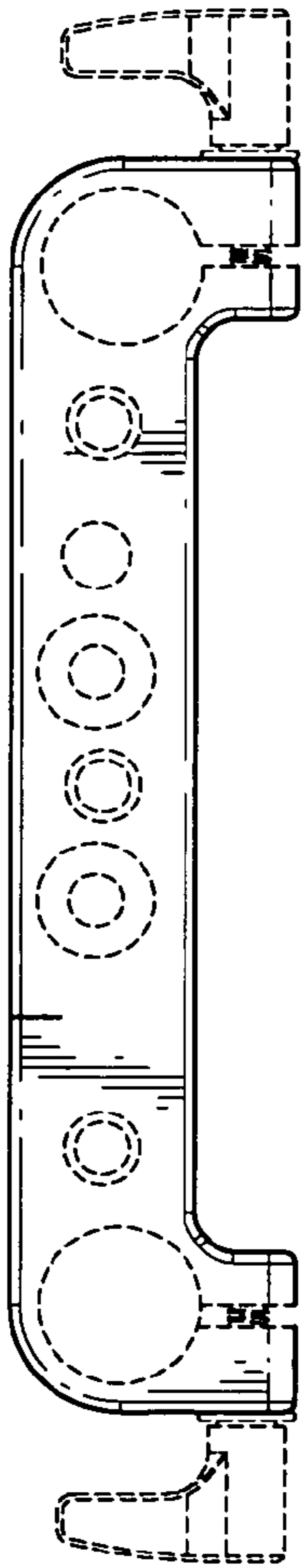


FIG. 4

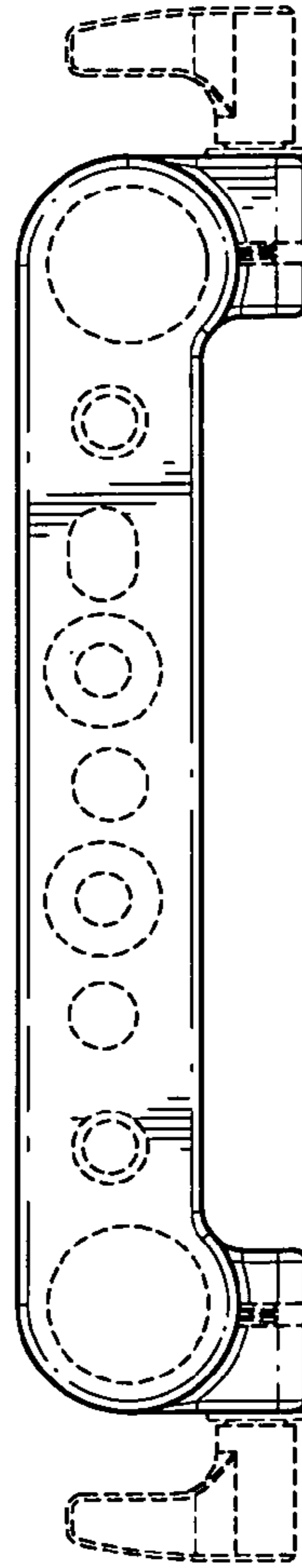


FIG. 5