



US00D696333S

(12) **United States Design Patent**  
**Takahashi et al.**

(10) **Patent No.:** **US D696,333 S**  
(45) **Date of Patent:** **\*\* Dec. 24, 2013**

(54) **DIGITAL VIDEO CAMERA**

(75) Inventors: **Kosei Takahashi**, Kawasaki (JP);  
**Takashi Mori**, Kawasaki (JP)

(73) Assignee: **Canon Kabushiki Kaisha**, Tokyo (JP)

(\*\*) Term: **14 Years**

(21) Appl. No.: **29/431,695**

(22) Filed: **Sep. 10, 2012**

(30) **Foreign Application Priority Data**

Apr. 10, 2012 (JP) ..... 2012-008371

(51) **LOC (9) Cl.** ..... **16-05**

(52) **U.S. Cl.**  
USPC ..... **D16/219; D16/202**

(58) **Field of Classification Search**  
USPC ..... D16/200, 202, 203, 204, 205, 218, 219;  
348/373-376; 358/906; 396/535-541  
See application file for complete search history.

(56) **References Cited**

**U.S. PATENT DOCUMENTS**

D293,784 S *	1/1988	Miyashita et al.	.....	D16/202
D316,420 S *	4/1991	Tanaka	.....	D16/202
D331,935 S *	12/1992	Tanaka	.....	D16/202
D332,108 S *	12/1992	Kondo	.....	D16/202
D407,729 S *	4/1999	Fukushima	.....	D16/202
D555,686 S *	11/2007	Hayakawa	.....	D16/205
D574,027 S *	7/2008	Miyazaki	.....	D16/202

**OTHER PUBLICATIONS**

Chris Hurd, "Canon USA Announces Cinema EOS C300 and EOS C300 PL Cameras at DVInfo.net", Nov. 3, 2011, 7 pages (available at

<http://www.dvinfo.net/article/acquisition/canon-eos/canon-usa-announces-cinema-eos-c300-and-eos-c300-pl-cameras.html>, last accessed Sep. 10, 2012).

Canon Inc., "Full-scale entry into the market, such as Hollywood filmmaking Lens with a camera for video production 'Cinema EOS System'", Nov. 4, 2011, 3 pages (available at <http://web.canon.jp/pressrelease/2011/p2011nov04j.html>, last accessed Sep. 10, 2012) (submitted with a machine-generated English translation thereof).

\* cited by examiner

*Primary Examiner* — Adir Aronovich

(74) *Attorney, Agent, or Firm* — Fitzpatrick, Cella, Harper & Scinto

(57) **CLAIM**

The ornamental design for a digital video camera, as shown and described.

**DESCRIPTION**

FIG. 1 is a right side elevational view of a digital video camera showing our new design;

FIG. 2 is a left side elevational view thereof;

FIG. 3 is a top plan view thereof;

FIG. 4 is a bottom plan view thereof;

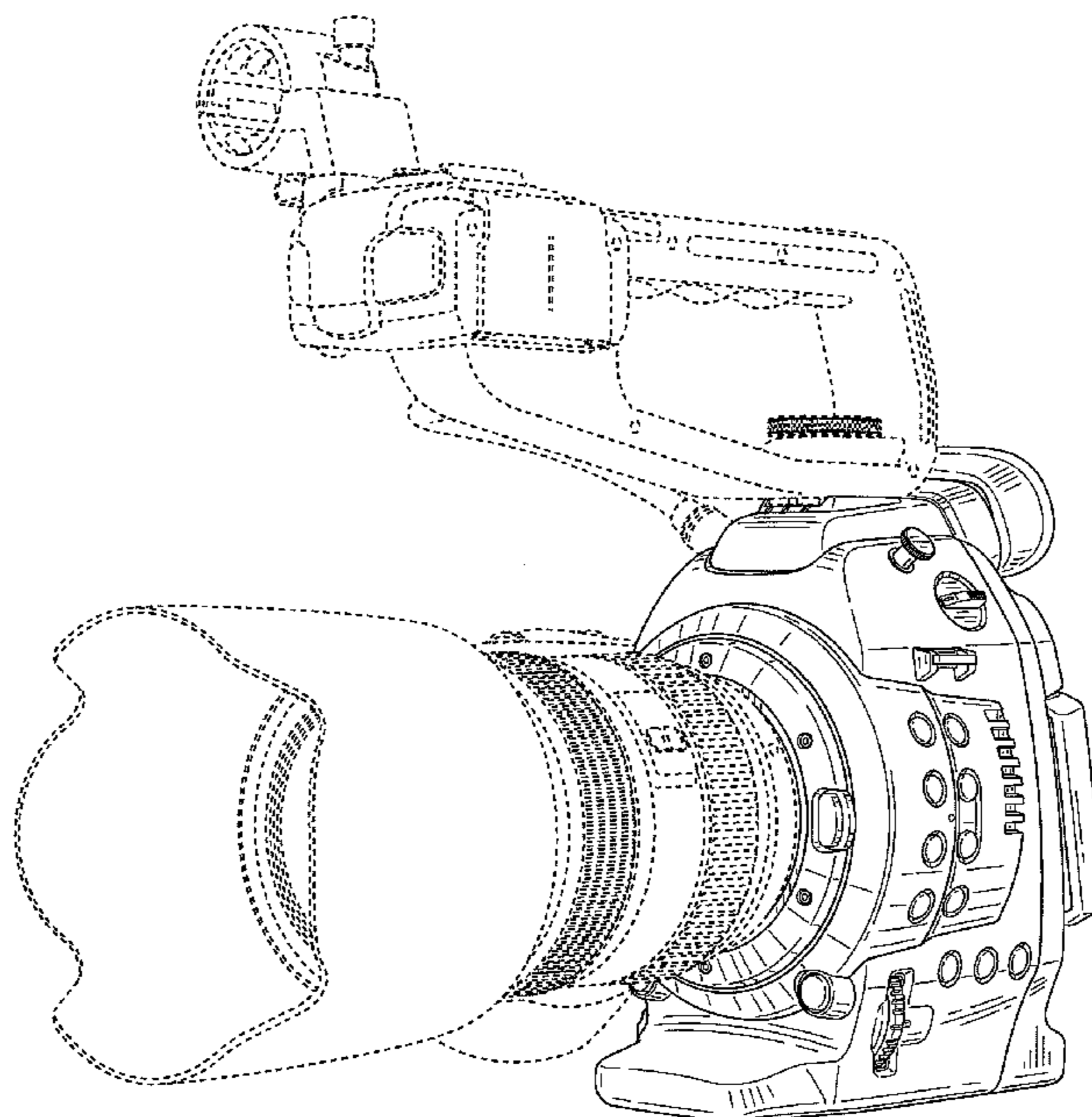
FIG. 5 is a front elevational view thereof;

FIG. 6 is a rear elevational view thereof; and,

FIG. 7 is a front and right side perspective view thereof.

The portions of the article in broken lines are shown for illustrative purposes only and form no part of the claimed design.

**1 Claim, 5 Drawing Sheets**



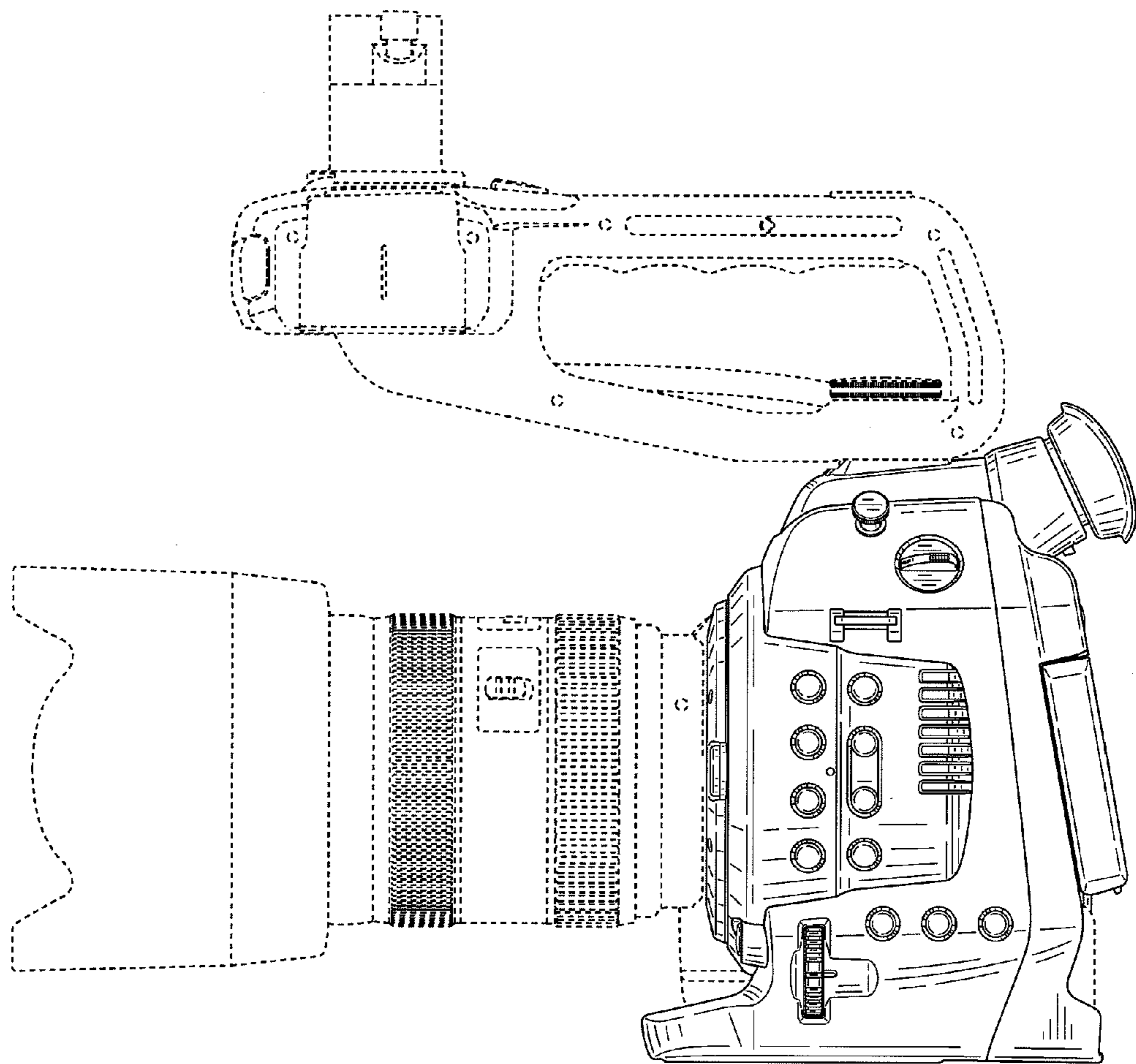


FIG. 1

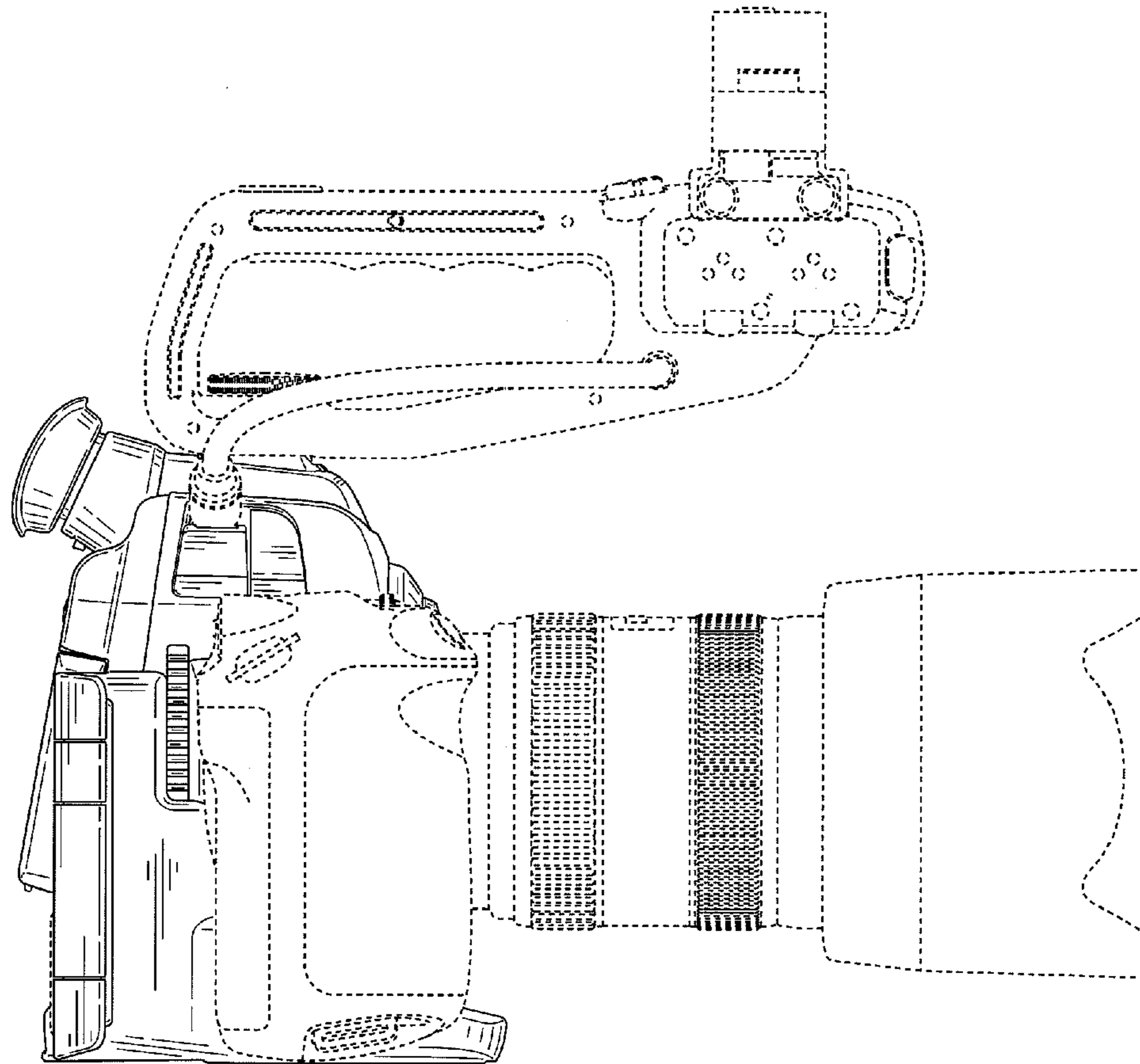


FIG. 2

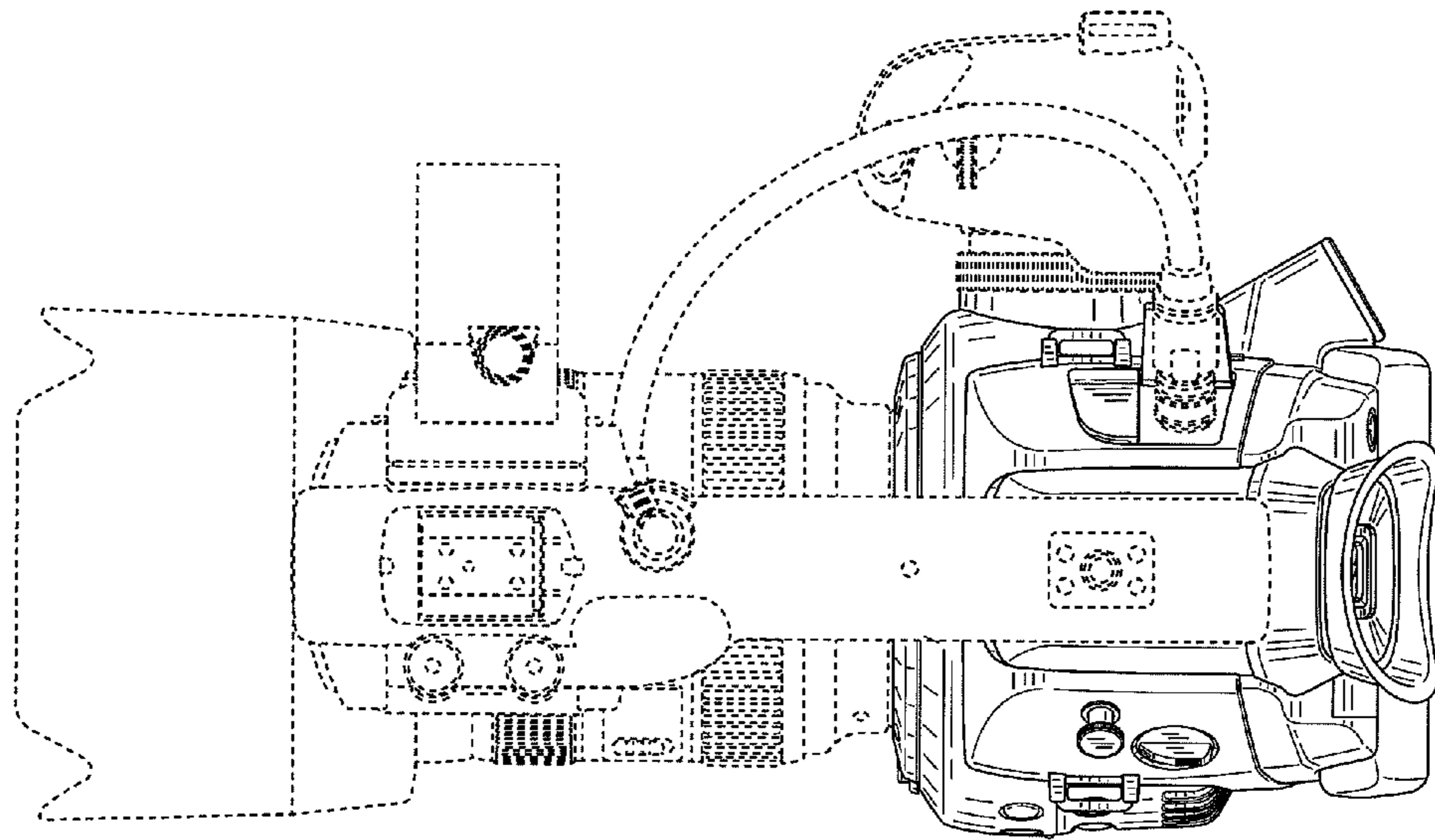


FIG. 3

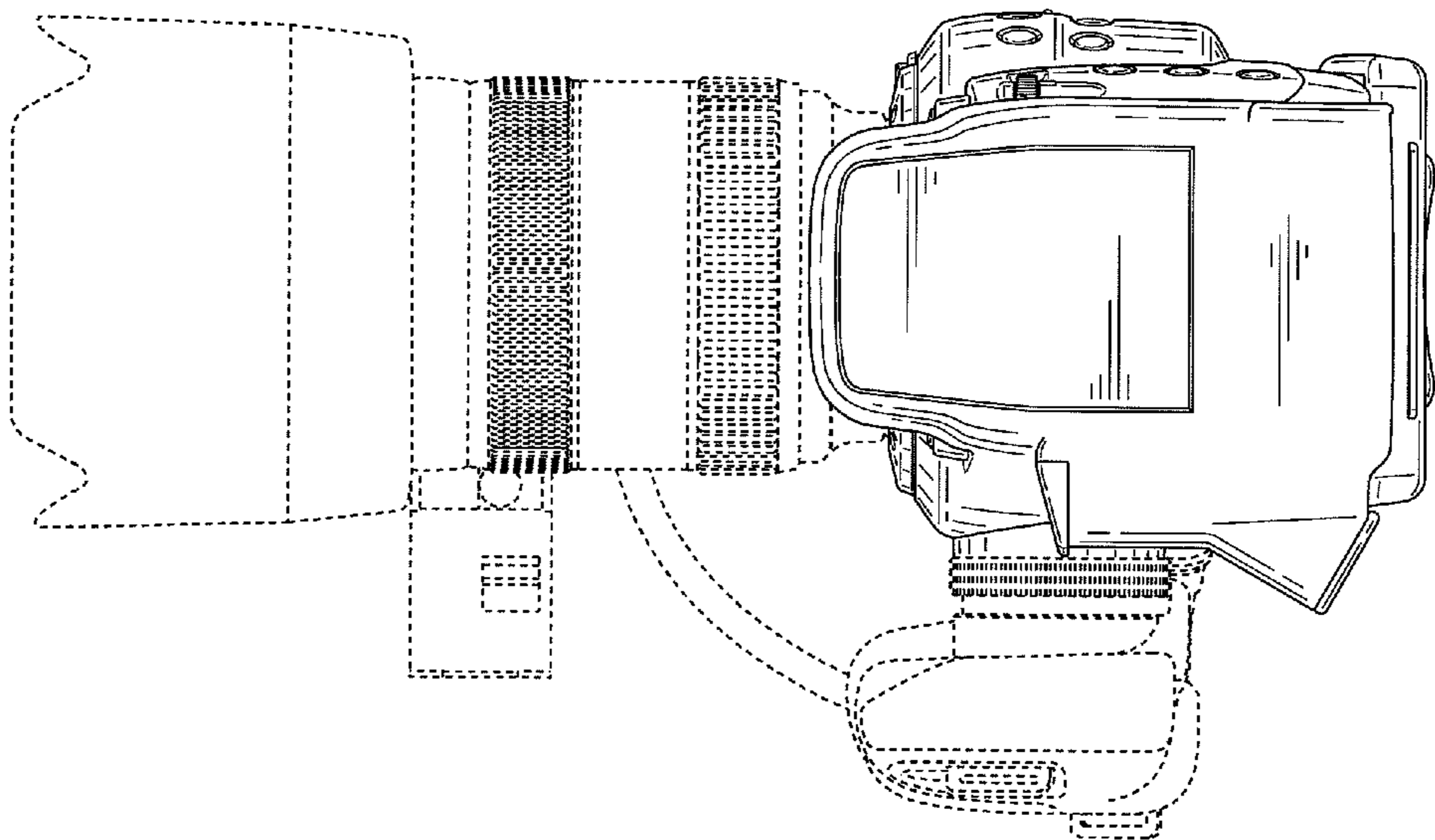


FIG. 4

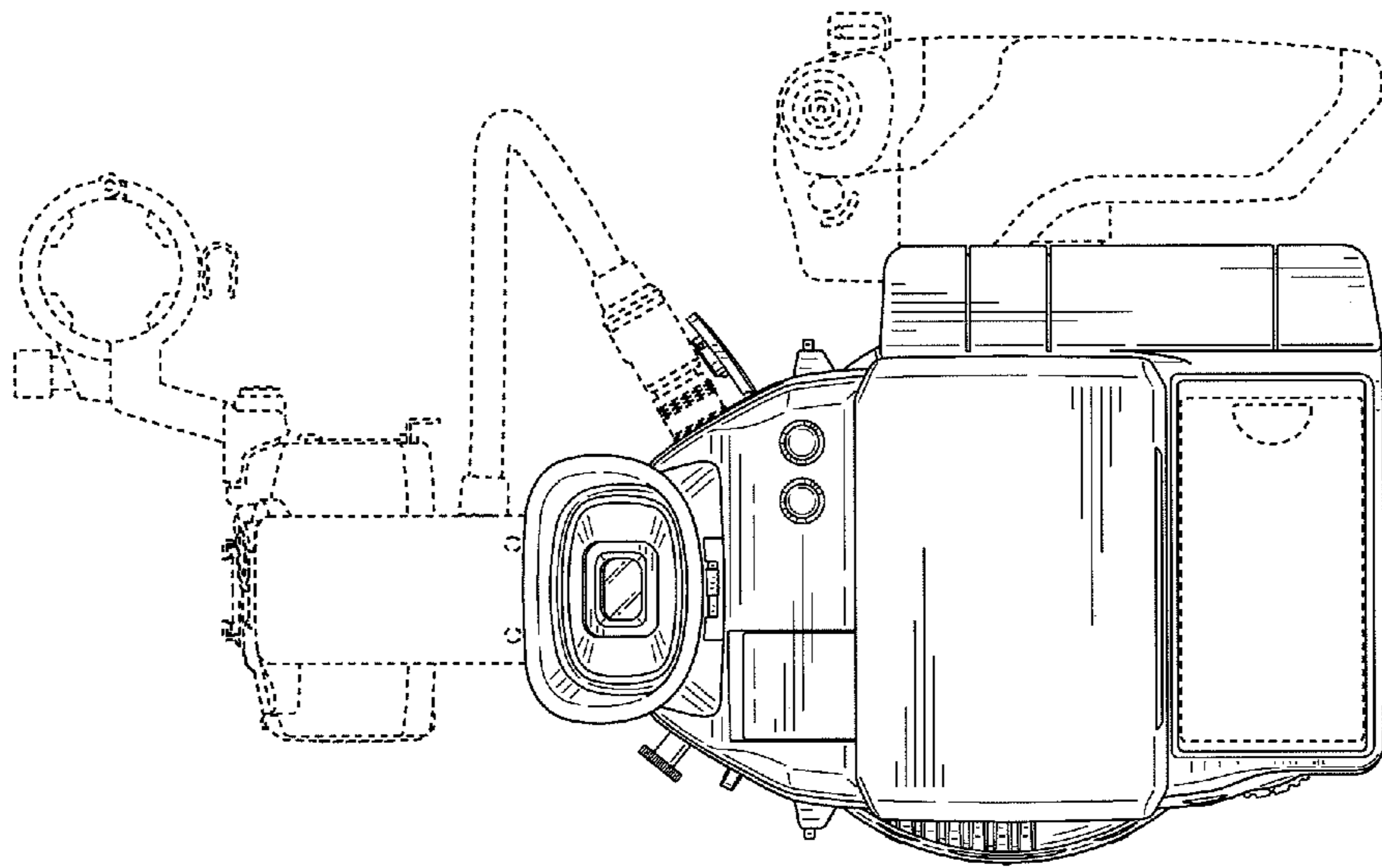


FIG. 6

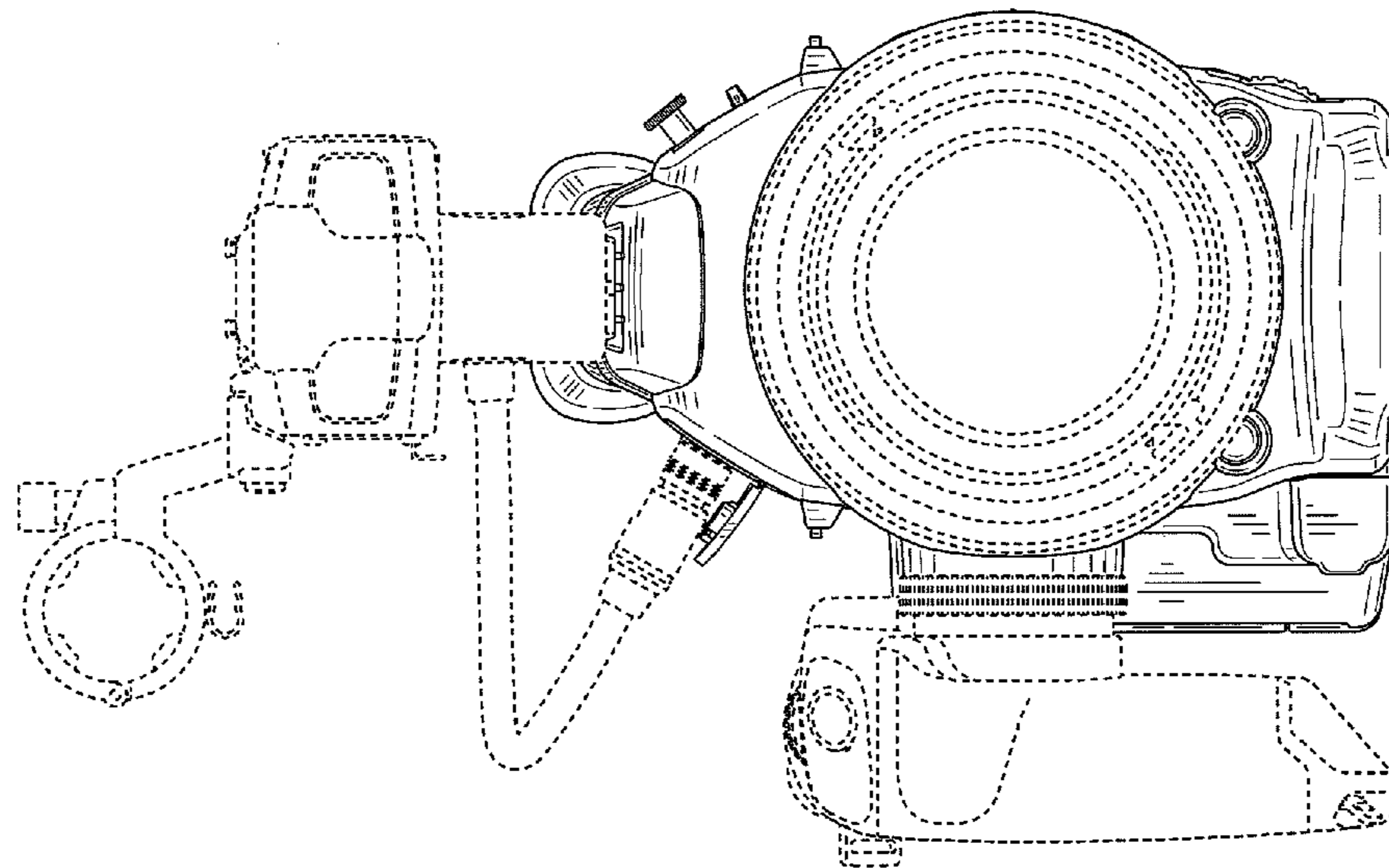


FIG. 5

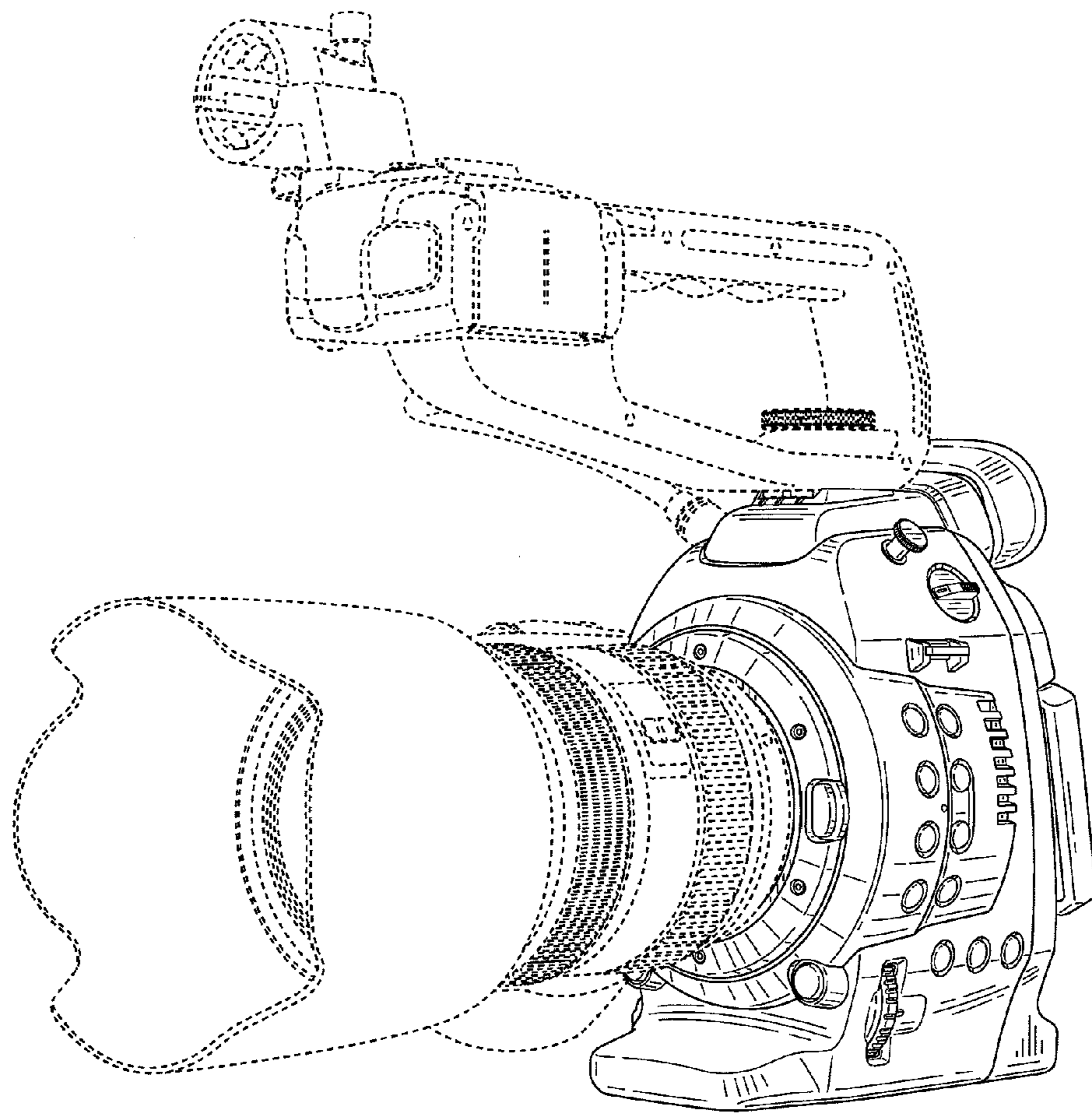


FIG. 7