

US00D696332S

(12) **United States Design Patent**  
**Yanagisawa**

(10) **Patent No.:** **US D696,332 S**

(45) **Date of Patent:** **\*\* Dec. 24, 2013**

(54) **DIGITAL CAMERA**

(75) Inventor: **Masaaki Yanagisawa**, Chigasaki (JP)

(73) Assignee: **Nikon Corporation**, Tokyo (JP)

(\*\*) Term: **14 Years**

(21) Appl. No.: **29/428,054**

(22) Filed: **Jul. 25, 2012**

(30) **Foreign Application Priority Data**

Jan. 31, 2012 (JP) ..... 2012-001925

(51) **LOC (9) Cl.** ..... **16-05**

(52) **U.S. Cl.**  
USPC ..... **D16/219**

(58) **Field of Classification Search**  
USPC ..... D16/200, 202, 204, 205, 206, 219;  
348/373, 374, 375, 376; 358/909.1;  
396/535-541, 544; D14/310, 317, 378,  
D14/379, 396, 405, 406, 407, 409, 414, 429,  
D14/430, 431, 444, 456, 480.5; D6/310,  
D6/339, 325, 406.1, 406.3, 406.4, 406.5,  
D6/406.6; D8/313, 316; D19/47, 55, 56;  
D7/545, 550.1, 553.1-553.5, 554.3,  
D7/554.4, 555, 624.1, 698  
See application file for complete search history.

(56) **References Cited**

**U.S. PATENT DOCUMENTS**

D327,001 S *	6/1992	Oosterhuis	.....	D8/373
D402,534 S *	12/1998	McCoy et al.	.....	D8/354
D413,110 S *	8/1999	Sweere et al.	.....	D14/447
6,075,951 A *	6/2000	Maruyama	.....	396/429
D433,435 S *	11/2000	Hamamura	.....	D16/219
D455,755 S *	4/2002	Levine et al.	.....	D14/447
D475,383 S *	6/2003	Omino	.....	D16/202
D491,597 S *	6/2004	Haga	.....	D16/219
D496,380 S *	9/2004	Isomoto	.....	D16/202
D512,088 S *	11/2005	Yatabe	.....	D16/219
D528,579 S *	9/2006	Yasutomi	.....	D16/202
D536,358 S *	2/2007	Hanafusa	.....	D16/219
D539,823 S *	4/2007	Nagayama et al.	.....	D16/219

D541,327 S *	4/2007	Ogino et al.	.....	D16/219
D542,719 S *	5/2007	Miller	.....	D12/186
D545,337 S *	6/2007	Lee	.....	D16/219
D550,744 S *	9/2007	Lee	.....	D16/219
D557,311 S *	12/2007	Hanafusa et al.	.....	D16/219
D558,192 S *	12/2007	Daly et al.	.....	D14/251
7,475,266 B2 *	1/2009	Ogawa	.....	713/322
D664,582 S *	7/2012	Asano et al.	.....	D16/219
D669,520 S *	10/2012	Asano et al.	.....	D16/219
D670,320 S *	11/2012	Asano et al.	.....	D16/219
2005/0057685 A1 *	3/2005	Yamaguchi	.....	348/375

**OTHER PUBLICATIONS**

Chris Hall. Nikon Coolpix P510, L810, L310 pictures and hands-on. Pocket-lint.com. Feb. 1, 2012 [online], [retrieved on Feb. 26, 2013]. Retrieved from the Internet <URL: <http://www.pocket-lint.com/news/44250/nikon-p510-l810-l310-camera-pictures>>.\*  
Nuttall, Paul. Nikon Coolpix P510 review. Website [online]. www.whatdigitalcamera.com, Apr. 19, 2012 [retrieved on Jul. 24, 2013]. Retrieved from the Internet: <URL: <http://www.whatdigitalcamera.com/equipment/reviews/compactcameras/129292/1/nikon-coolpix-p510-review.html>>.\*

\* cited by examiner

*Primary Examiner* — Philip S Hyder

*Assistant Examiner* — Darlington Ly

(74) *Attorney, Agent, or Firm* — Wolf, Greenfield & Sacks, P.C.; Randy J. Pritzker

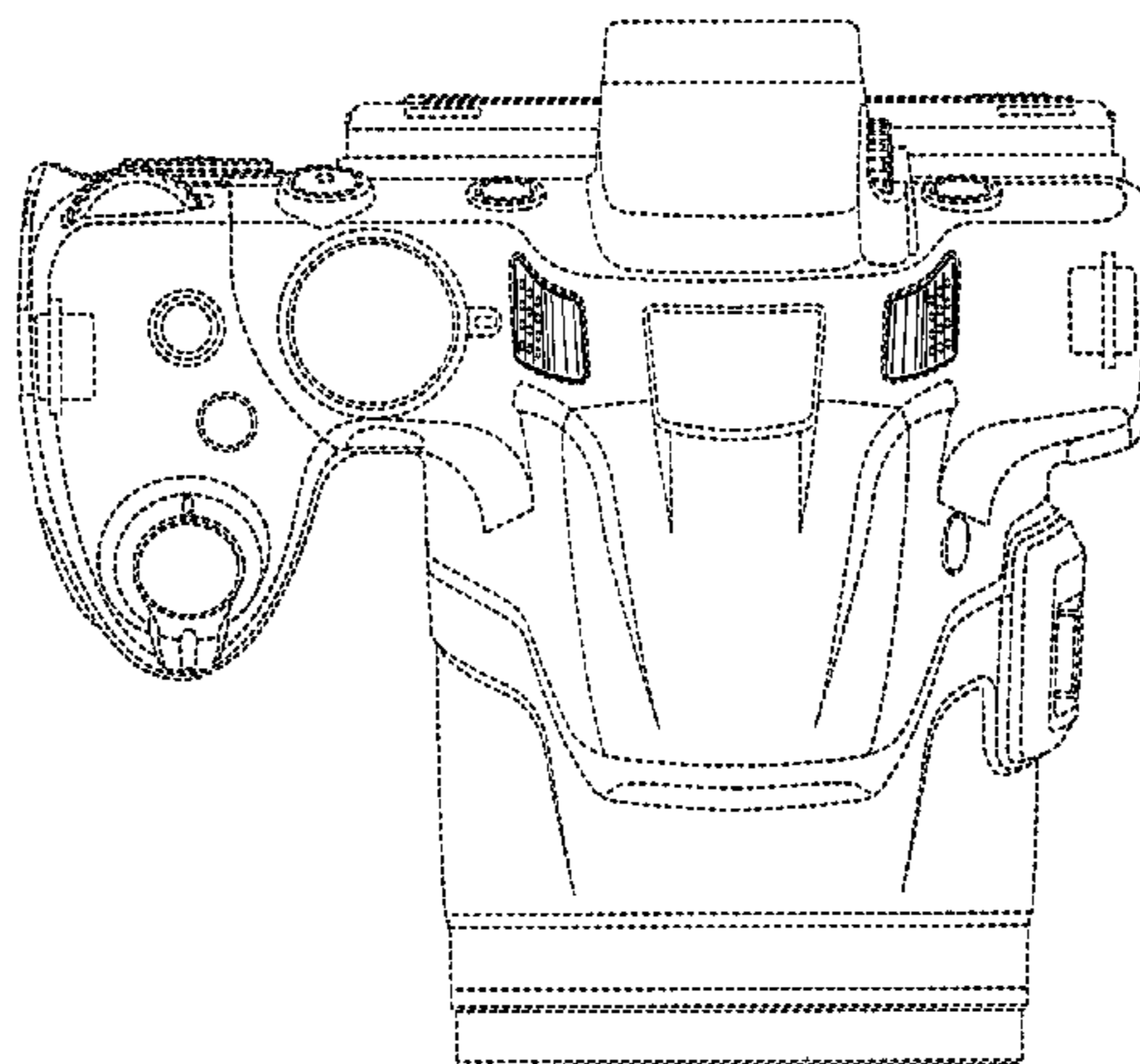
(57) **CLAIM**

The ornamental design for a digital camera, as shown and described.

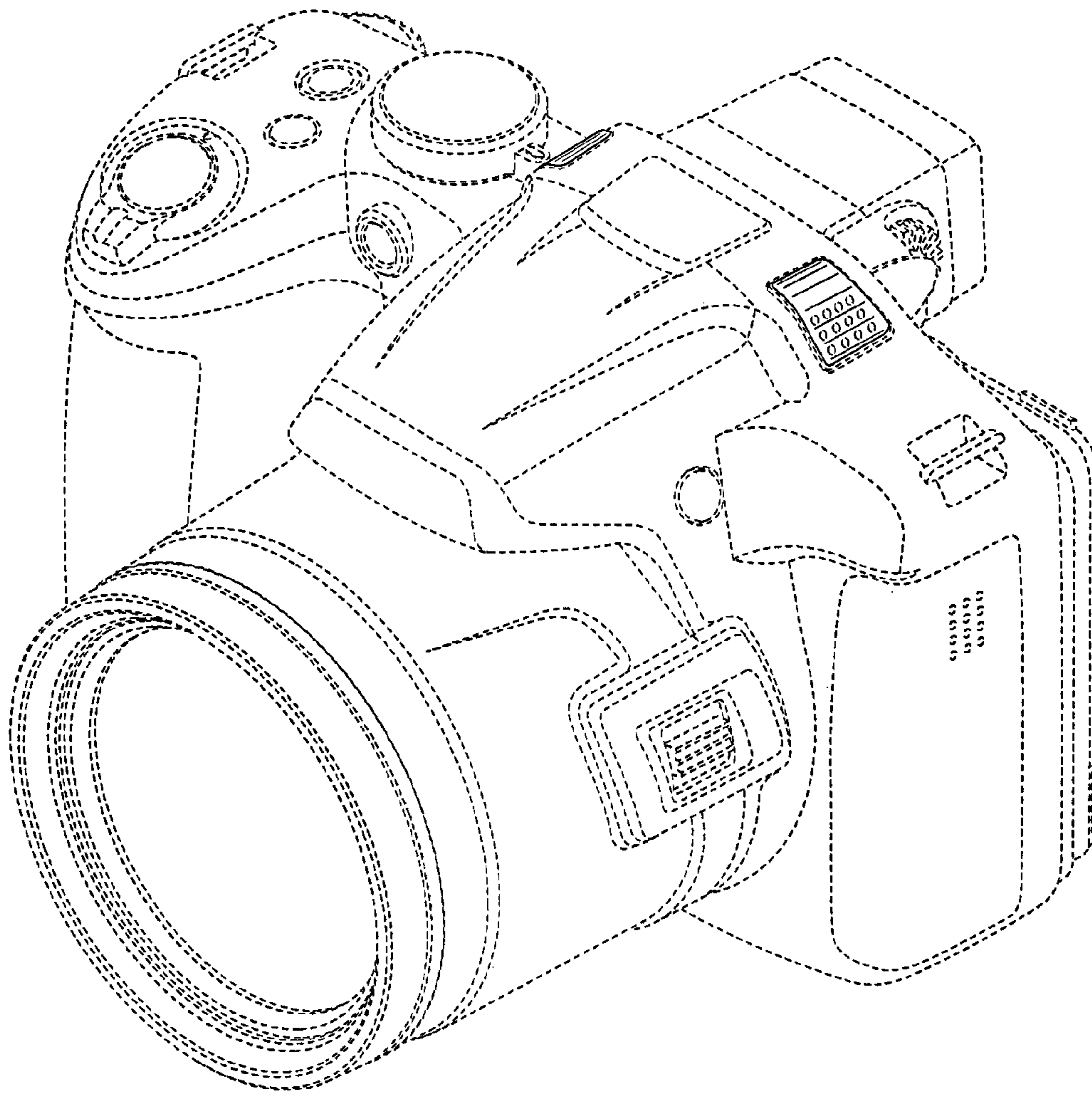
**DESCRIPTION**

FIG. 1 is a front perspective view of a digital camera showing my new design;  
FIG. 2 is a rear perspective view thereof;  
FIG. 3 is a front elevational view thereof;  
FIG. 4 is a rear elevational view thereof;  
FIG. 5 is a top plan view thereof;  
FIG. 6 is a right side elevational view thereof; and,  
FIG. 7 is a left side elevational view thereof.  
The features shown in broken lines in the drawings depict environmental subject matter only and form no part of the claimed design.

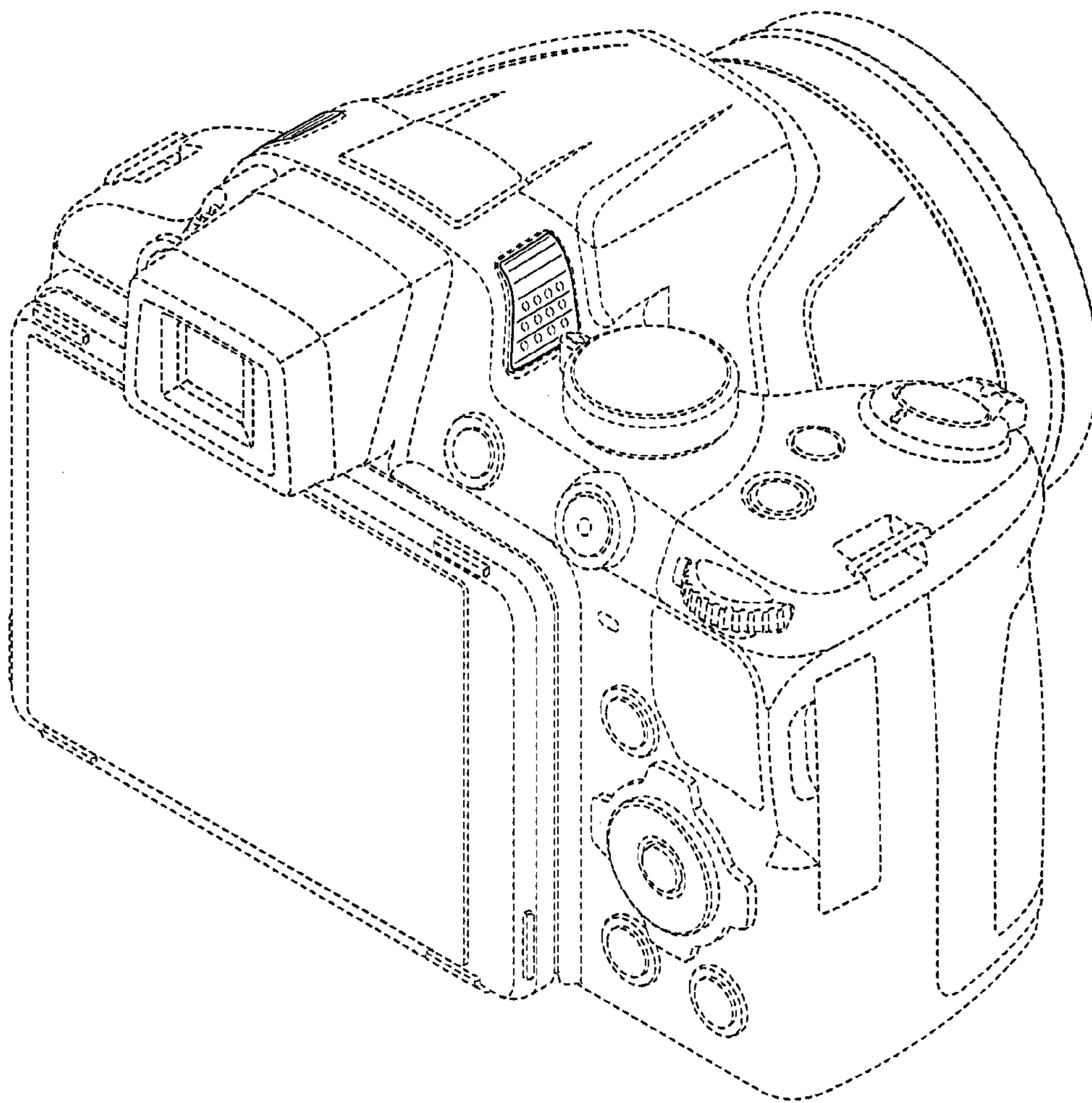
**1 Claim, 7 Drawing Sheets**



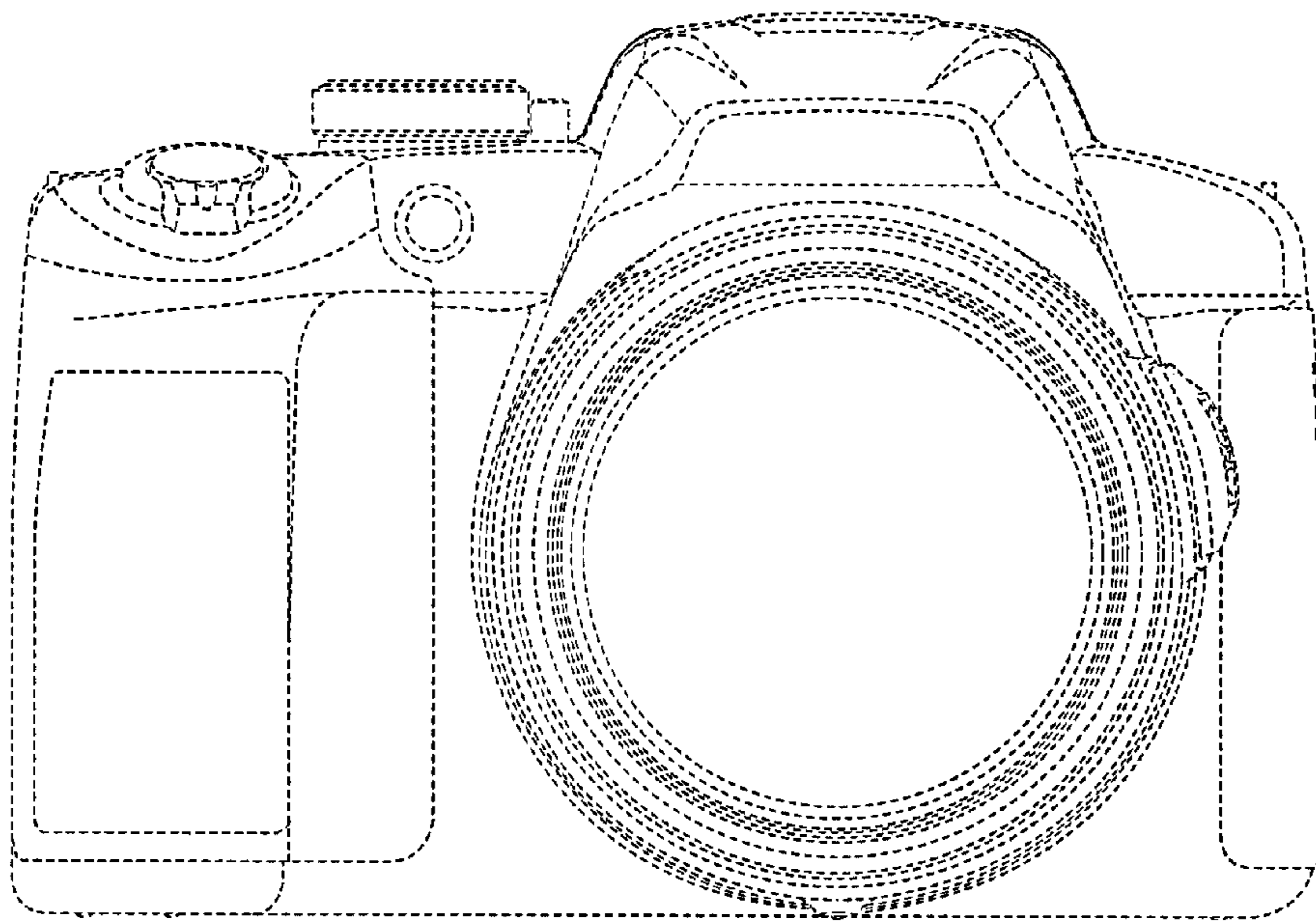
**FIG. 1**



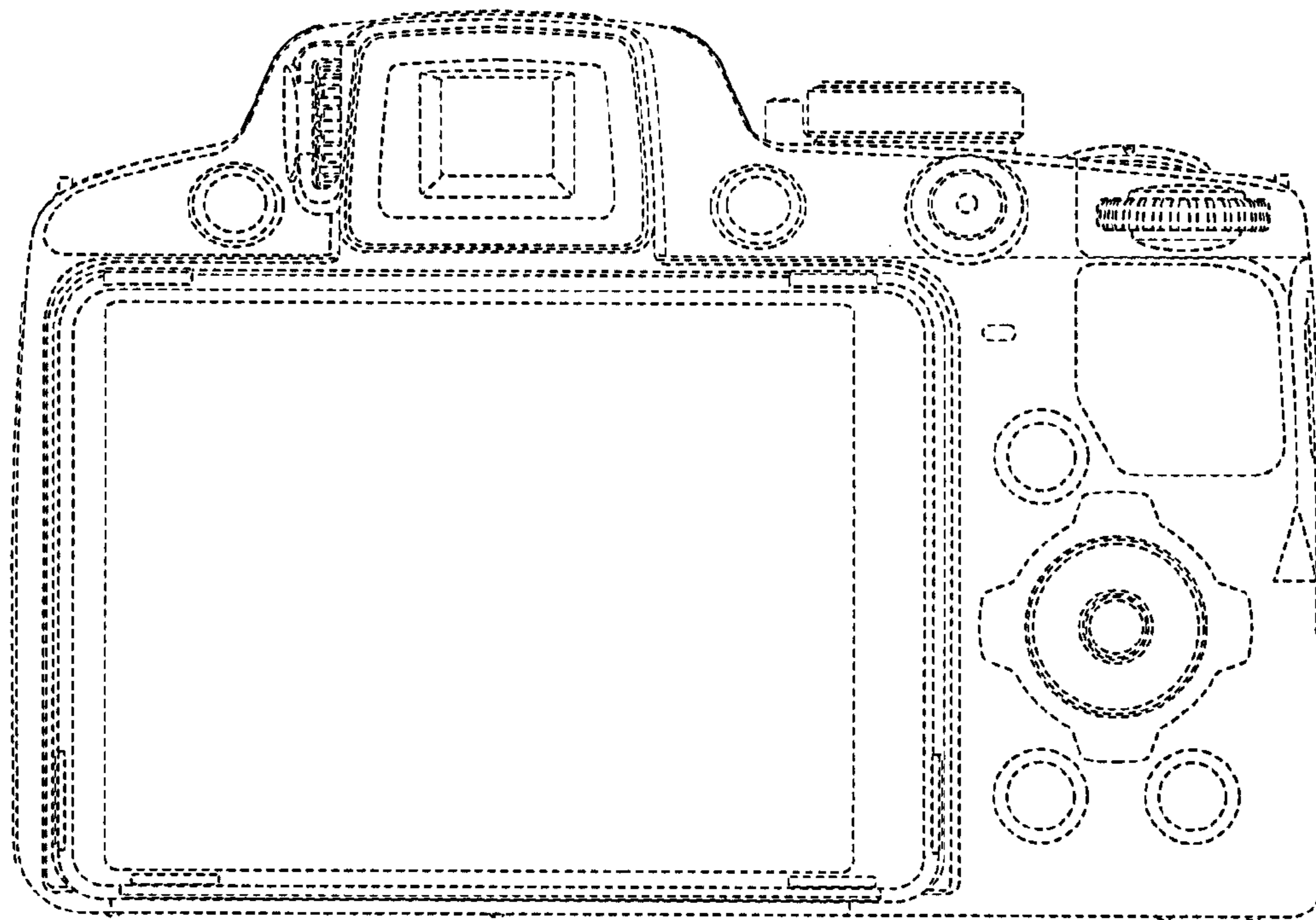
**FIG. 2**



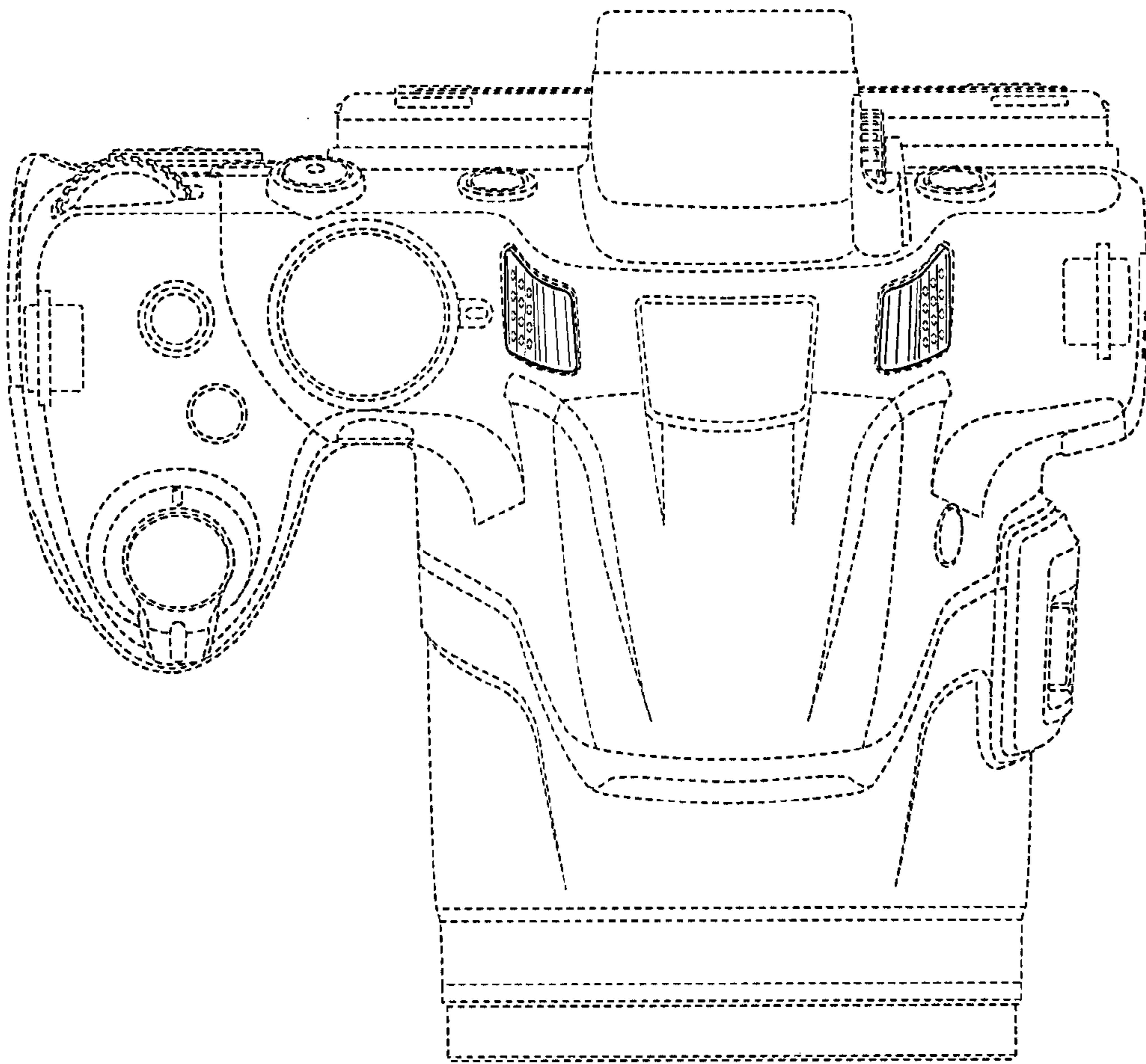
*FIG. 3*



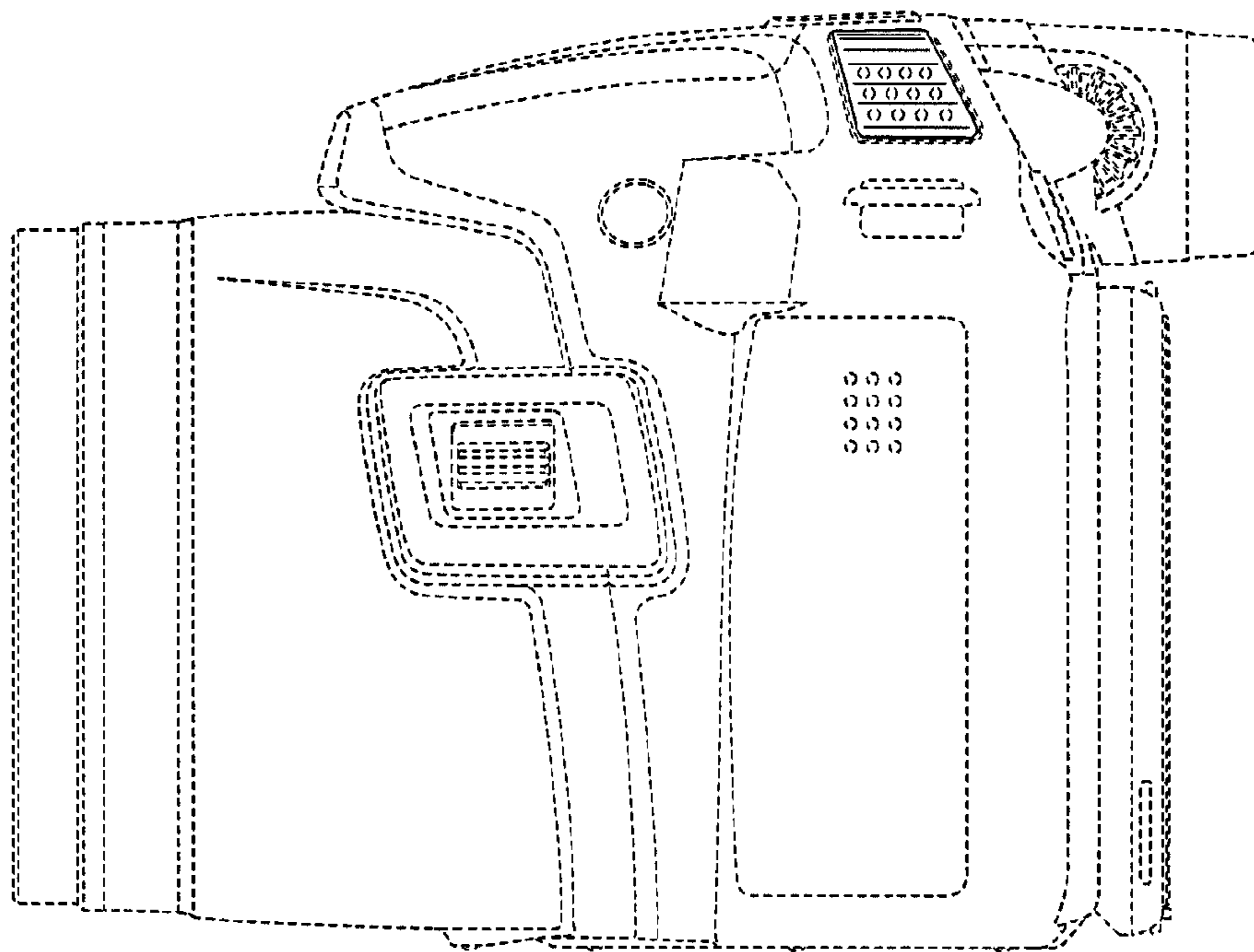
**FIG. 4**



**FIG. 5**



**FIG. 6**



**FIG. 7**

