



US00D696331S

(12) **United States Design Patent**
Sato

(10) **Patent No.:** **US D696,331 S**

(45) **Date of Patent:** **** Dec. 24, 2013**

(54) **CAMERA BODY**

D543,226 S * 5/2007 Ina et al. D16/219
D574,871 S * 8/2008 Ishii D16/219
D684,206 S * 6/2013 Sakai D16/219

(75) Inventor: **Jun Sato**, Saitama (JP)

* cited by examiner

(73) Assignee: **FUJIFILM Corporation**, Tokyo (JP)

Primary Examiner — Adir Aronovich

(**) Term: **14 Years**

(74) *Attorney, Agent, or Firm* — Sughrue Mion, PLLC

(21) Appl. No.: **29/426,350**

(57) **CLAIM**

(22) Filed: **Jul. 3, 2012**

The ornamental design for a camera body, as shown and described.

(30) **Foreign Application Priority Data**

DESCRIPTION

Jan. 6, 2012 (JP) 2012-000169

(51) **LOC (9) Cl.** **16-05**

(52) **U.S. Cl.**
USPC **D16/219; D16/200**

(58) **Field of Classification Search**
USPC D16/200, 202, 204, 218, 219;
348/373–376; 358/909.1; 396/535, 540
See application file for complete search history.

FIG. 1 is a top, front and left side perspective view of a camera body showing my new design;
FIG. 2 is a front elevational view thereof;
FIG. 3 is a rear elevational view thereof;
FIG. 4 is a top plan view thereof;
FIG. 5 is a right side elevational view thereof;
FIG. 6 is a left side elevational view thereof; and,
FIG. 7 is a top, front and left side perspective view thereof in a manner of use.

(56) **References Cited**

The portions of the camera body in broken lines are shown for illustrative purposes only and form no part of the claimed design.

U.S. PATENT DOCUMENTS

The dash-dot broken lines in the drawings which define the bounds of the claimed design form no part thereof.

D448,789 S * 10/2001 Matsumura D16/218
D538,323 S * 3/2007 Sato D16/219
D542,826 S * 5/2007 Ina et al. D16/219

1 Claim, 6 Drawing Sheets

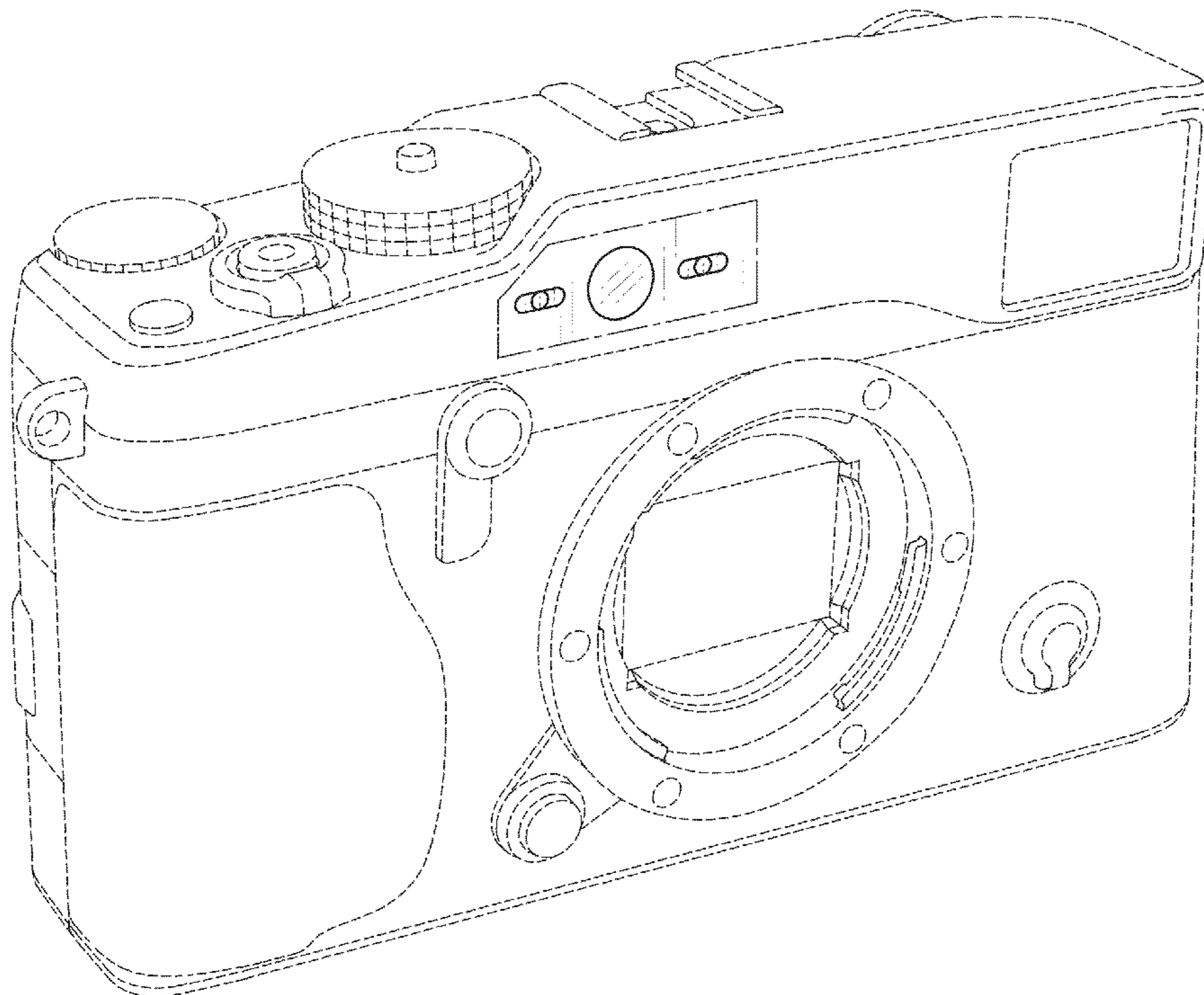


FIG.1

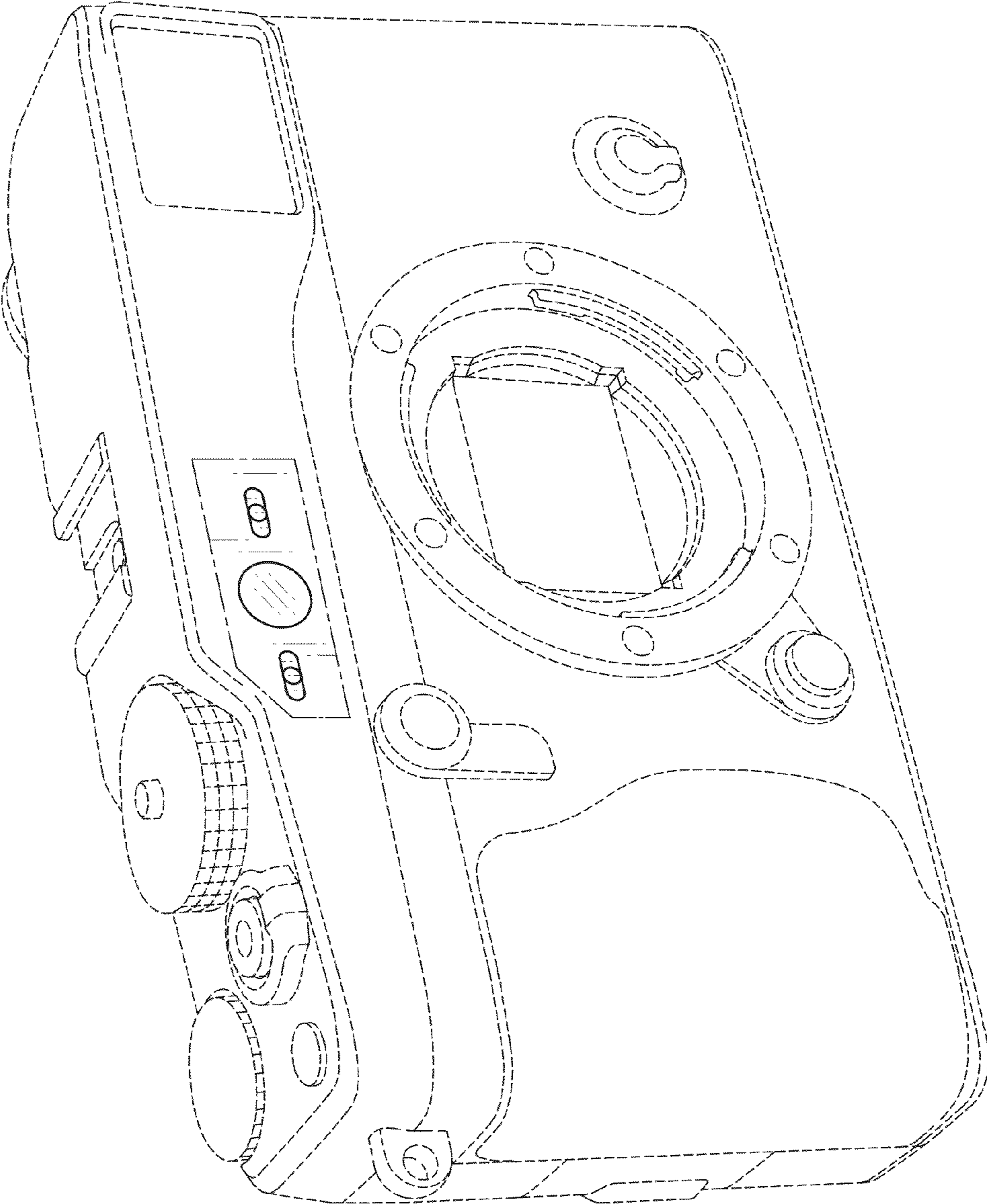


FIG.2

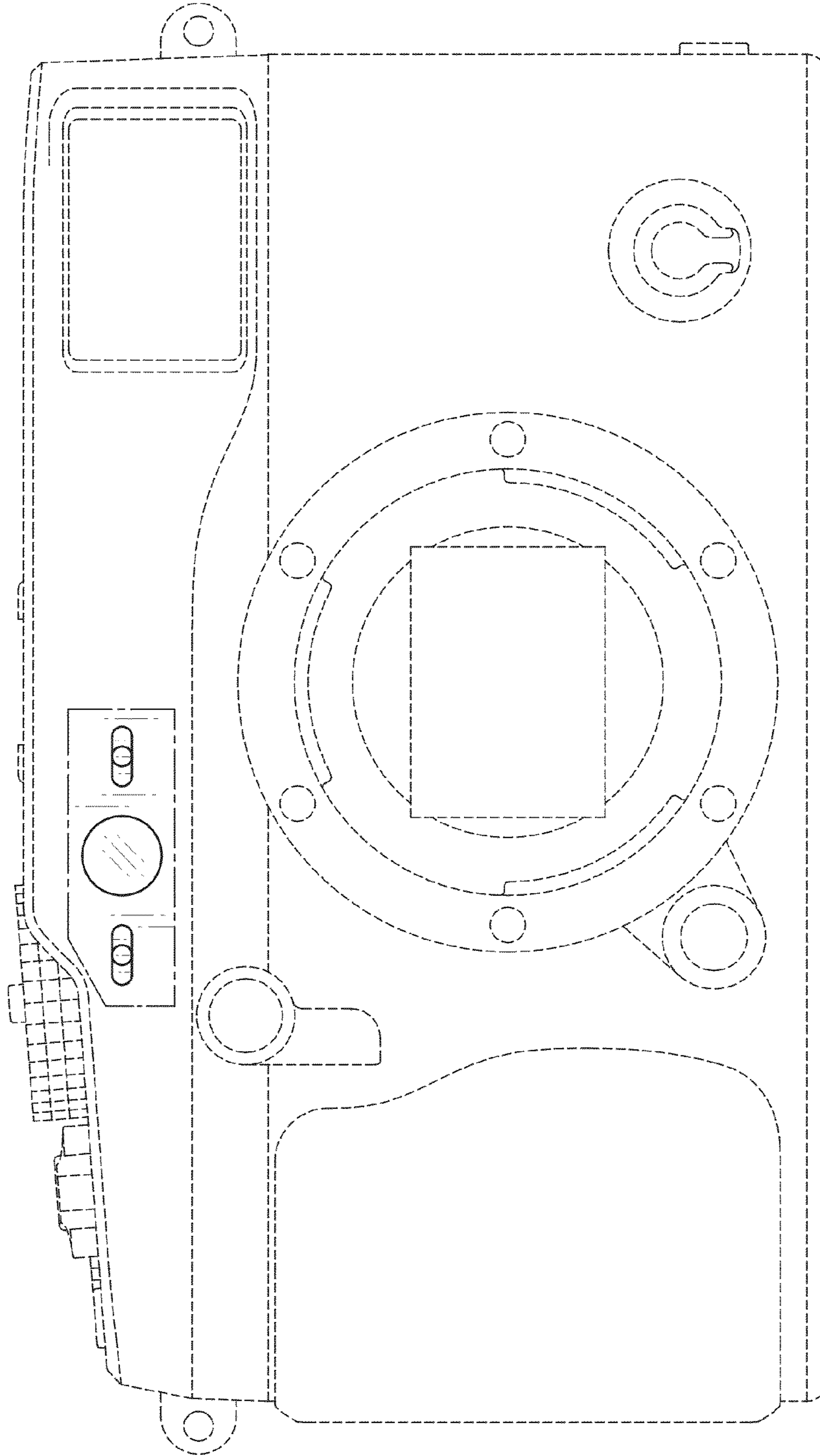


FIG.3

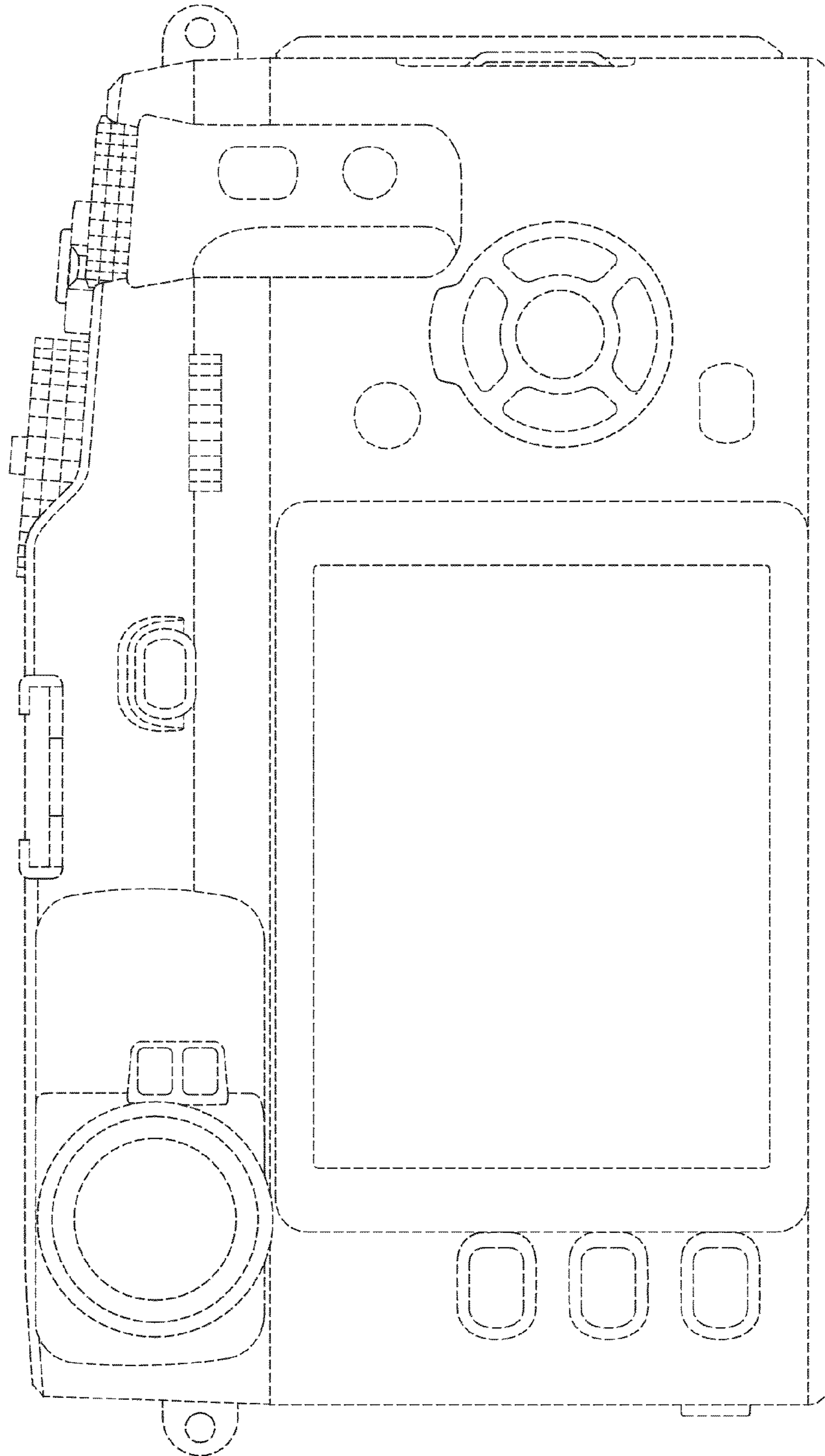


FIG.4

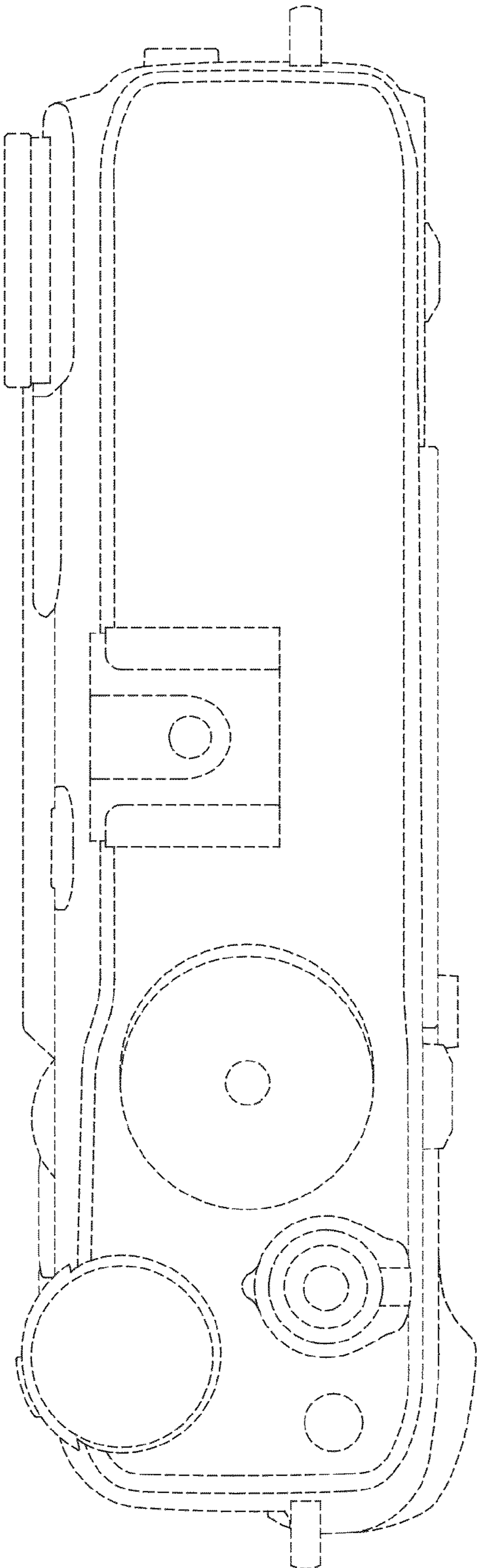


FIG.6

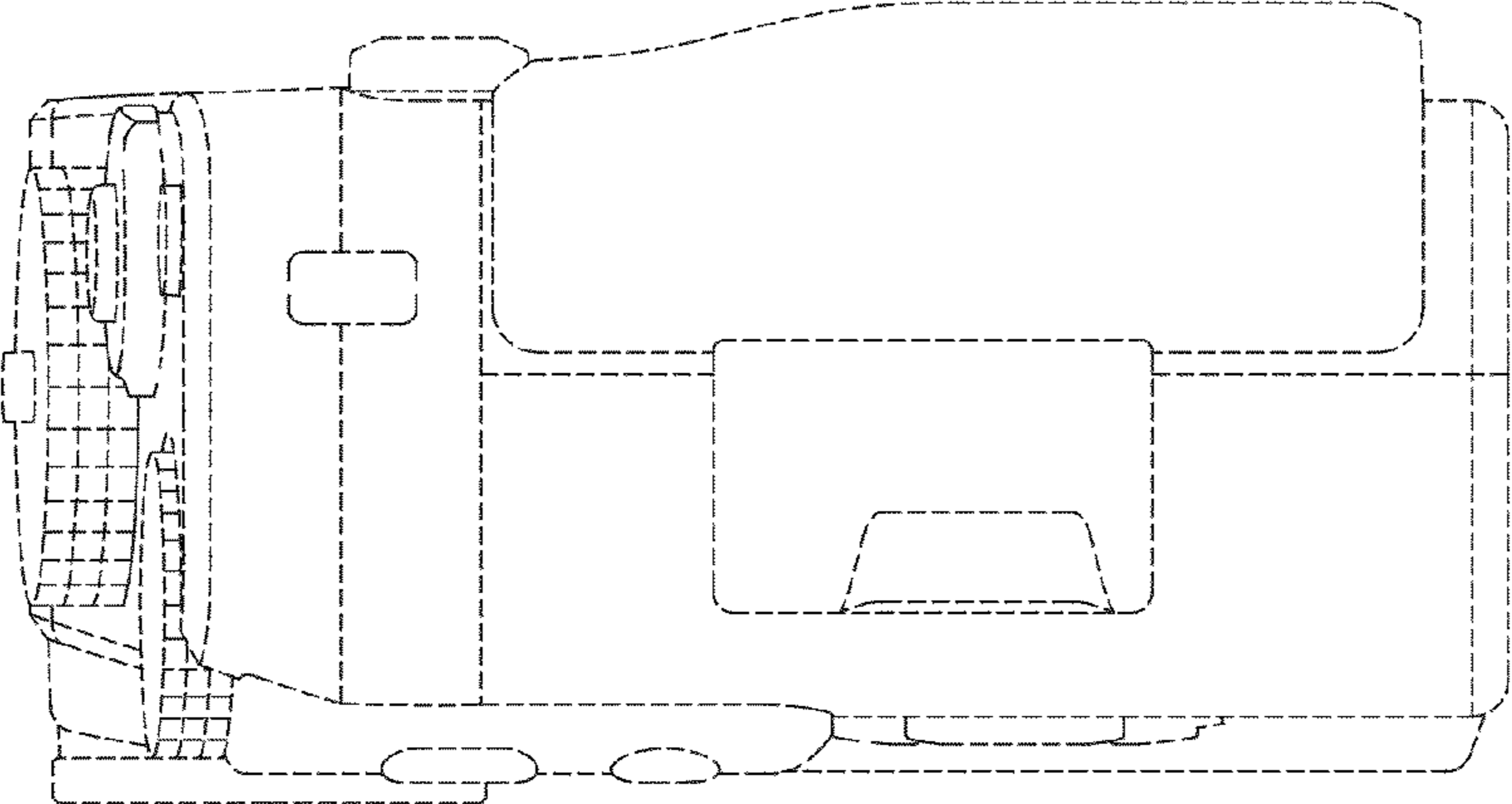


FIG.5

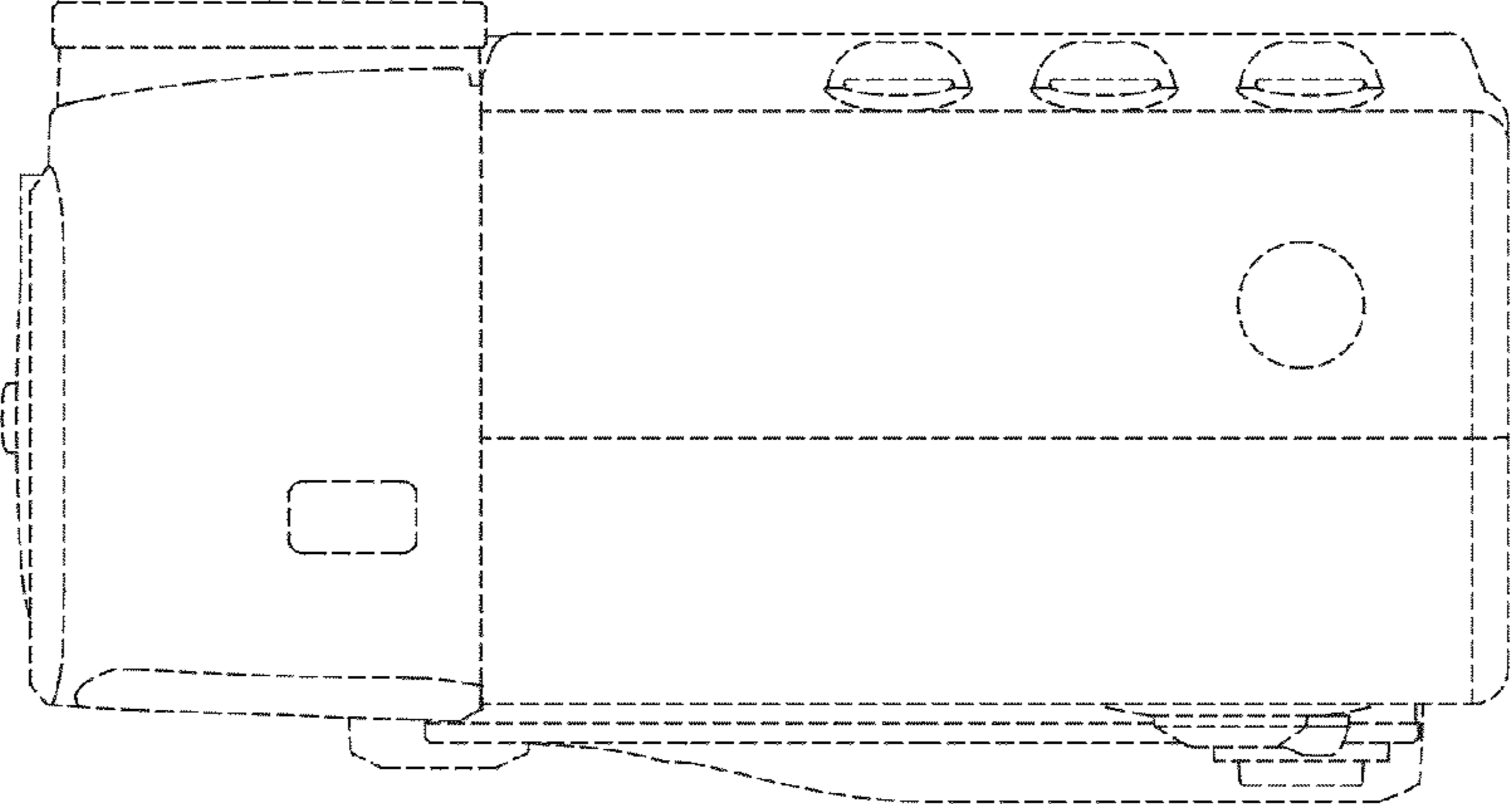


FIG. 7

