



(12) **United States Design Patent**
Matsumoto et al.

(10) **Patent No.:** **US D696,330 S**
(45) **Date of Patent:** **** Dec. 24, 2013**

(54) **VIDEO CAMERA**

(71) Applicant: **Panasonic Corporation**, Osaka (JP)

(72) Inventors: **Hiroyuki Matsumoto**, Osaka (JP);
Tetsuya Konishi, Osaka (JP)

(73) Assignee: **Panasonic Corporation**, Osaka (JP)

(**) Term: **14 Years**

(21) Appl. No.: **29/437,150**

(22) Filed: **Nov. 14, 2012**

(30) **Foreign Application Priority Data**

Sep. 11, 2012 (JP) 2012-021907

(51) **LOC (9) Cl.** **16-01**

(52) **U.S. Cl.**
USPC **D16/203**

(58) **Field of Classification Search**
USPC D16/200, 202, 203, 204, 218; 348/81,
348/143, 373-376; 396/25-29, 427, 535,
396/540, 541
See application file for complete search history.

(56) **References Cited**

U.S. PATENT DOCUMENTS

D528,576 S * 9/2006 Chung et al. D16/203
D558,805 S * 1/2008 Sadatsuki D16/203

D576,193 S * 9/2008 Su et al. D16/203
D640,721 S * 6/2011 Satine D16/202
D652,440 S * 1/2012 Davidson et al. D16/203
D677,705 S * 3/2013 Tao D16/202
2008/0170121 A1* 7/2008 Su et al. 348/143

FOREIGN PATENT DOCUMENTS

JP D1334678 6/2008

* cited by examiner

Primary Examiner — Adir Aronovich

(74) *Attorney, Agent, or Firm* — Panasonic Patent Center

(57) **CLAIM**

We claim the ornamental design for a video camera, as shown and described.

DESCRIPTION

FIG. 1 is a top, front and left side perspective view of a camera of the present invention;

FIG. 2 is a front elevational view thereof;

FIG. 3 is a rear elevational view thereof;

FIG. 4 is a left side elevational view thereof;

FIG. 5 is right side elevational view thereof;

FIG. 6 is a top plan view thereof; and,

FIG. 7 is bottom plan view thereof.

The broken line showing of video camera is included for the purpose of illustrating environment and forms no part of the claimed design. Additionally, the unevenly broken lines in the drawings define the limits of the claimed design.

1 Claim, 7 Drawing Sheets

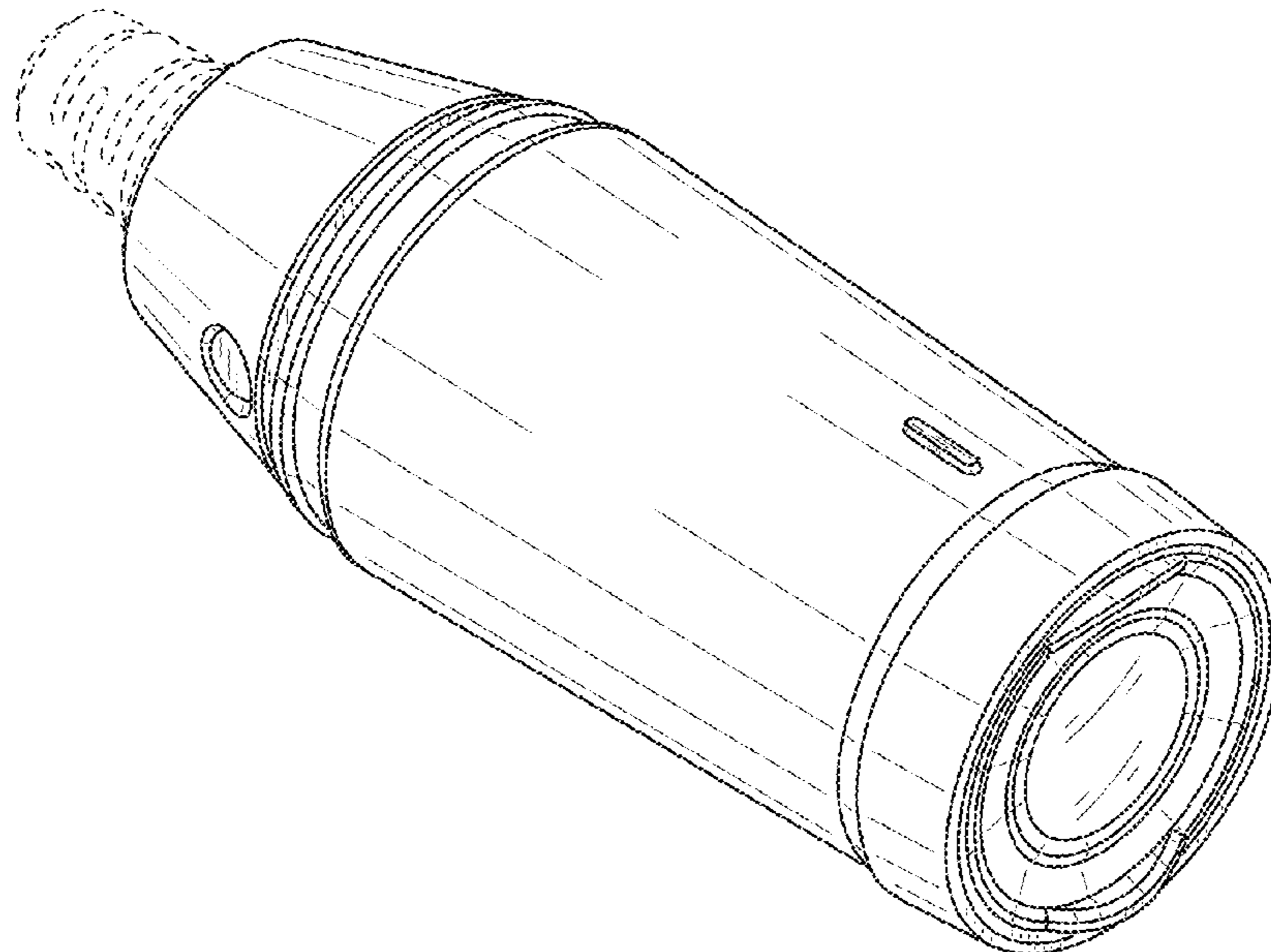


FIG. 1

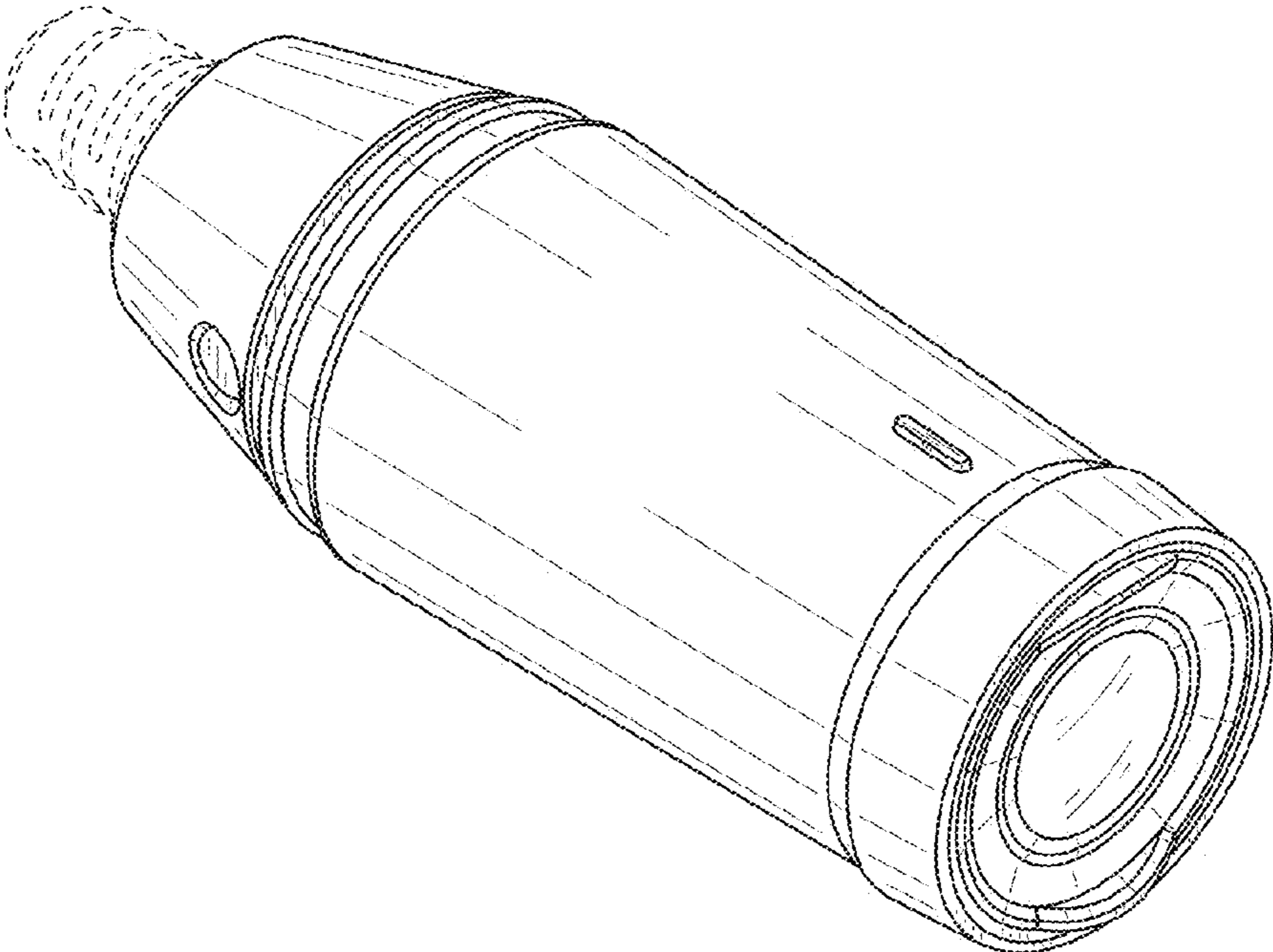


FIG. 2

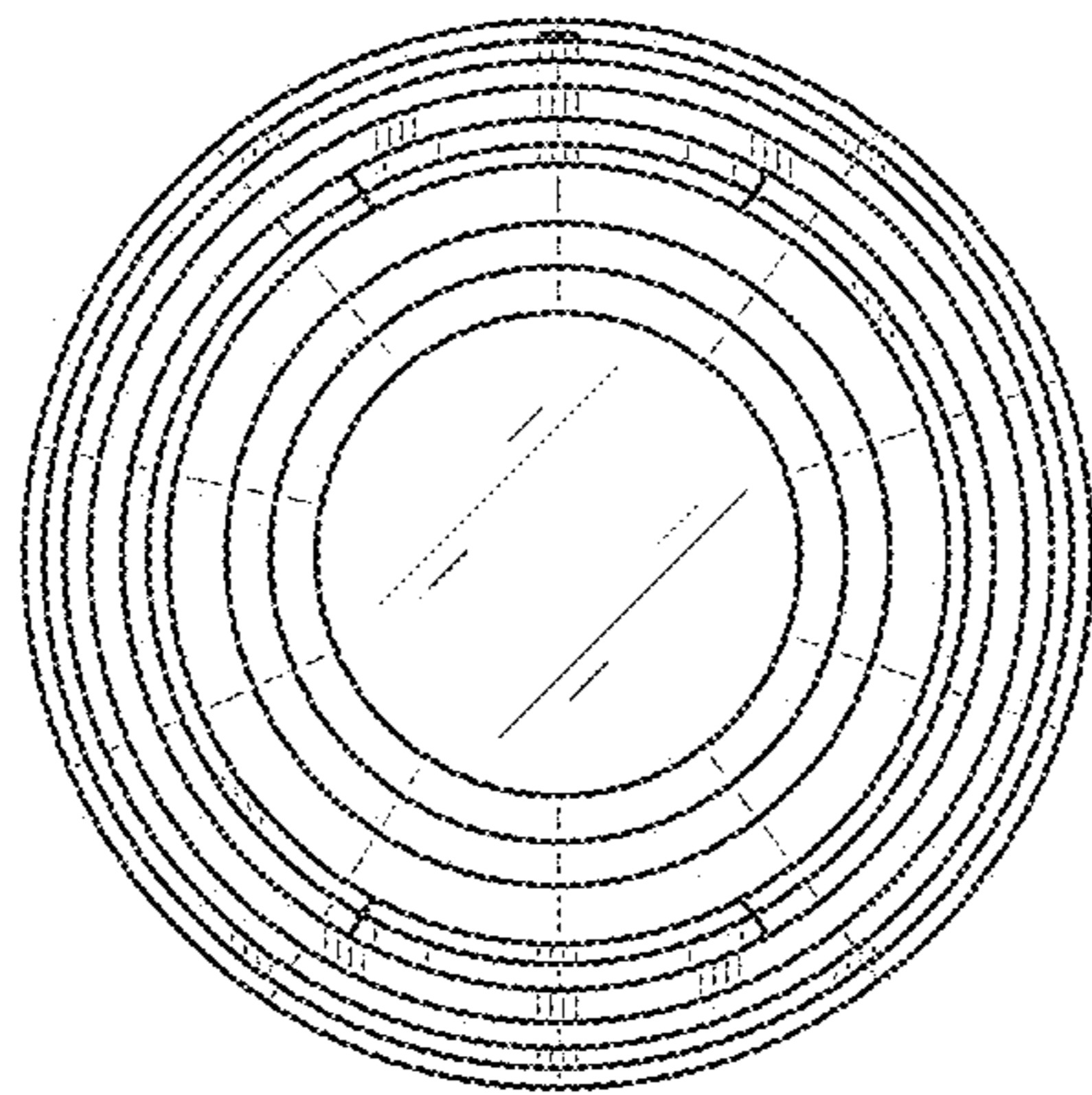


FIG. 3

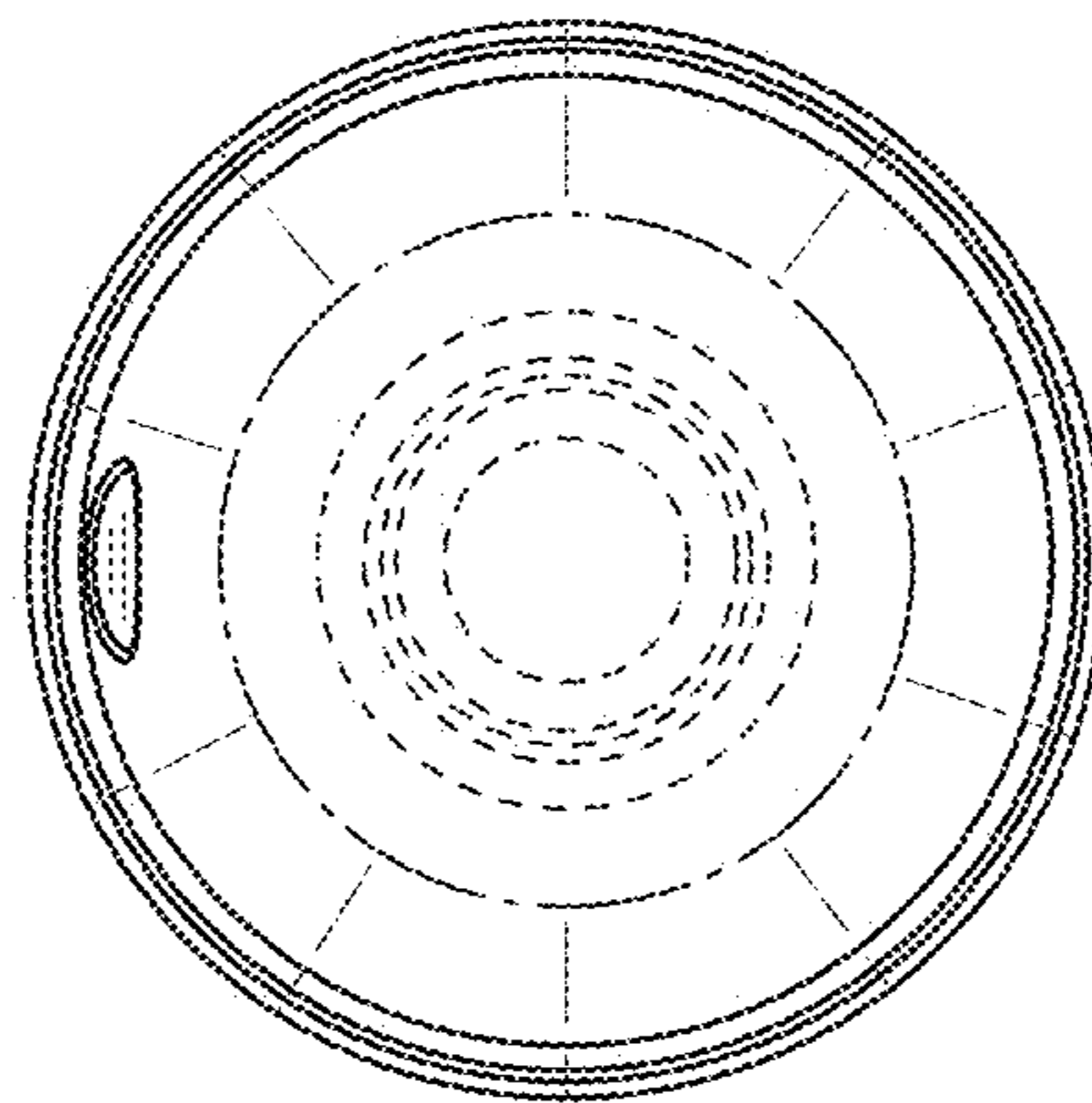


FIG. 4

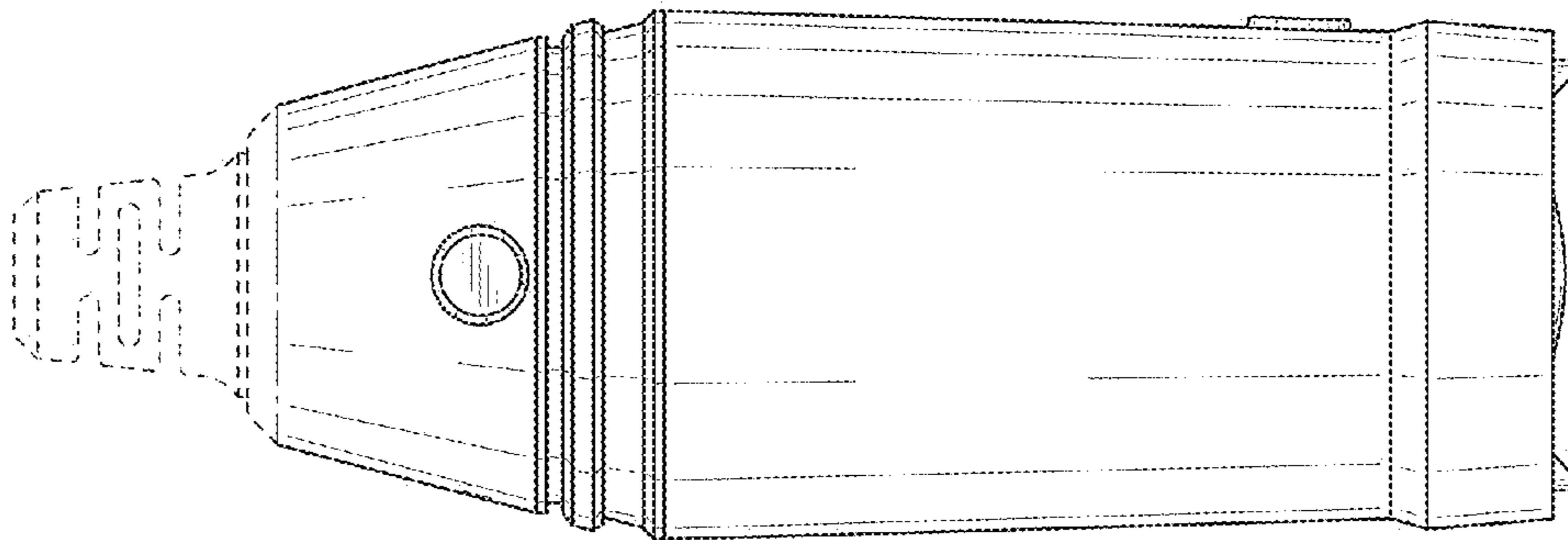


FIG. 5

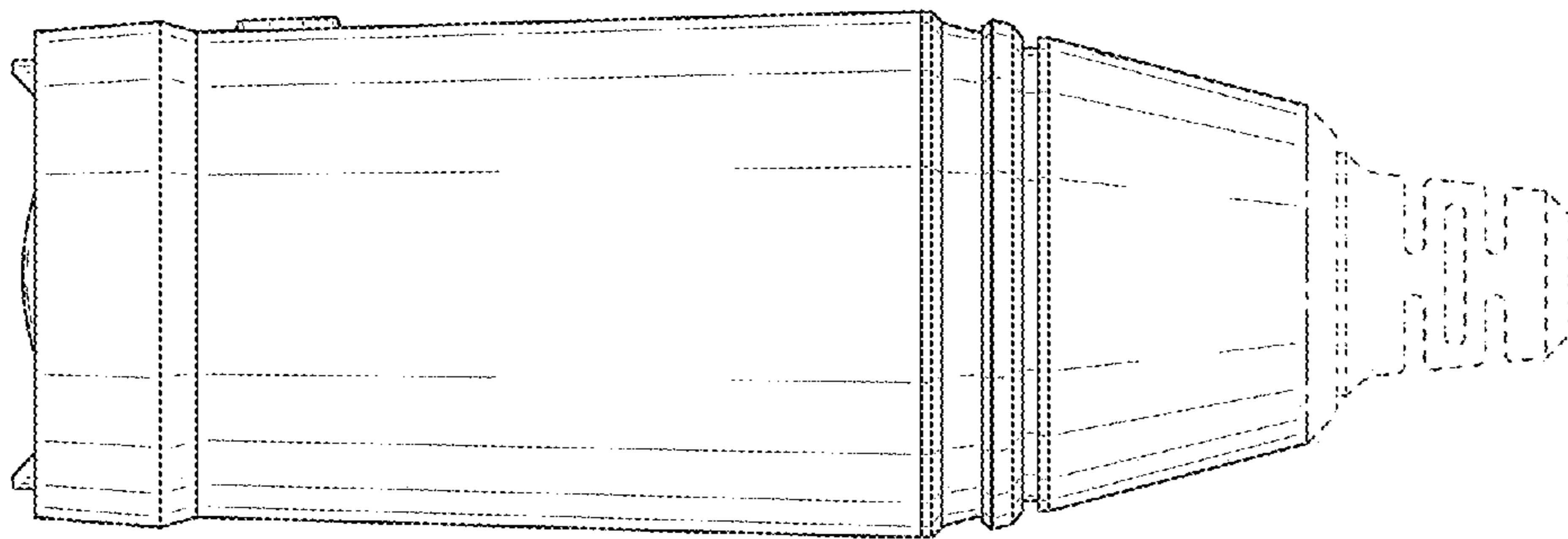


FIG. 6

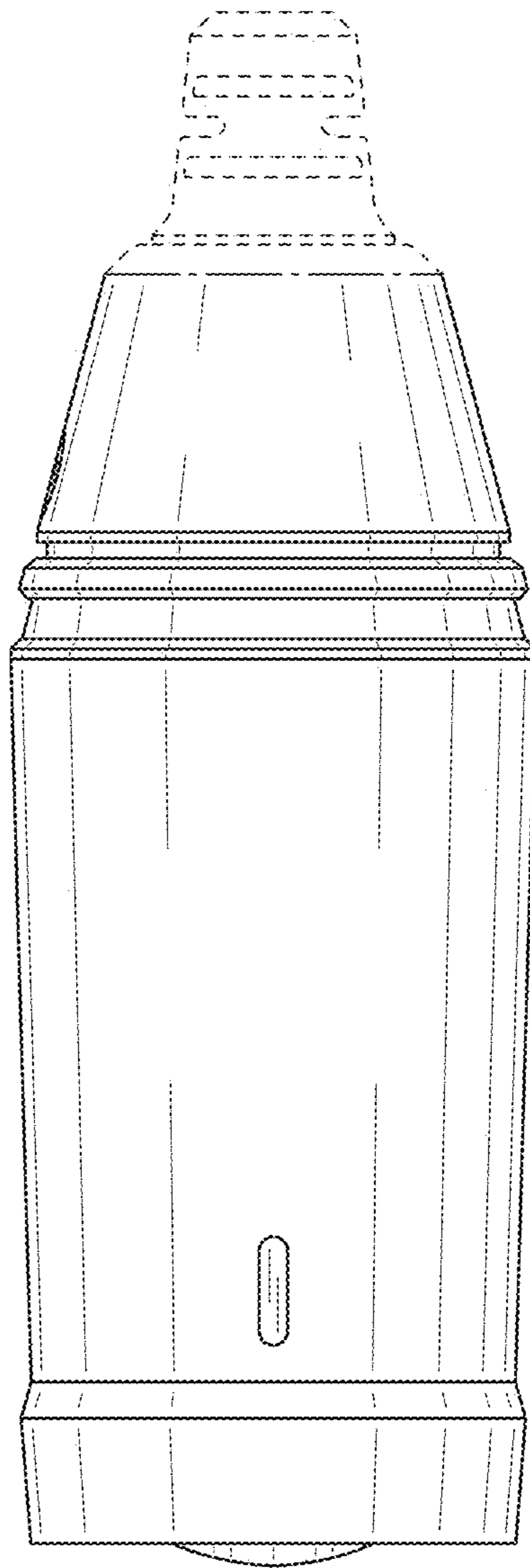


FIG. 7

