



US00D696329S

(12) **United States Design Patent**
Horiki et al.

(10) **Patent No.:** **US D696,329 S**

(45) **Date of Patent:** **** Dec. 24, 2013**

(54) **CAMERA**

(71) Applicant: **Panasonic Corporation**, Osaka (JP)

(72) Inventors: **Toshio Horiki**, Osaka (JP); **Hiroyuki Matsumoto**, Osaka (JP)

(73) Assignee: **Panasonic Corporation**, Osaka (JP)

(**) Term: **14 Years**

(21) Appl. No.: **29/434,909**

(22) Filed: **Oct. 18, 2012**

(30) **Foreign Application Priority Data**

Jul. 9, 2012 (JP) 2012-016194

(51) **LOC (9) Cl.** **16-01**

(52) **U.S. Cl.**
USPC **D16/203**

(58) **Field of Classification Search**
USPC D16/200, 202, 203, 204, 218; 348/81,
348/373-376; 396/25-29, 427, 535, 540,
396/541
See application file for complete search history.

(56) **References Cited**

U.S. PATENT DOCUMENTS

4,335,944 A * 6/1982 Marshall 396/28
D428,618 S * 7/2000 McBride D16/203
6,304,289 B1 * 10/2001 Sakai et al. 348/81
D506,489 S * 6/2005 Owada D16/203
D528,576 S * 9/2006 Chung et al. D16/202
D564,558 S * 3/2008 Ollila D16/203

D590,000 S 4/2009 Kellar
7,522,834 B2 * 4/2009 Heaven et al. 396/535
D624,577 S * 9/2010 Kujawski et al. D16/203
D635,173 S * 3/2011 Yamakawa D16/203
D640,721 S * 6/2011 Satine D16/204
D677,705 S * 3/2013 Tao D16/202

* cited by examiner

Primary Examiner — Adir Aronovich

(74) *Attorney, Agent, or Firm* — Panasonic Patent Center

(57) **CLAIM**

We claim the ornamental design for a camera, as shown and described.

DESCRIPTION

FIG. 1 is a top, front and right side perspective view of a camera of the present invention;

FIG. 2 is a front elevational view thereof;

FIG. 3 is a rear elevational view thereof;

FIG. 4 is a right side elevational view thereof;

FIG. 5 is left side elevational view thereof;

FIG. 6 is a top plan view thereof;

FIG. 7 is bottom plan view thereof;

FIG. 8 is a cross sectional view taken along the line 8-8 of FIG. 2;

FIG. 9 is a top, front and right side perspective view thereof shown in an environmental use;

FIG. 10 is an exploded perspective view thereof; and,

FIG. 11 is an exploded side view thereof.

The broken line showing of camera is included for the purpose of illustrating environment and forms no part of the claimed design. Additionally, the unevenly broken lines in the drawings define the limits of the claimed design.

1 Claim, 11 Drawing Sheets

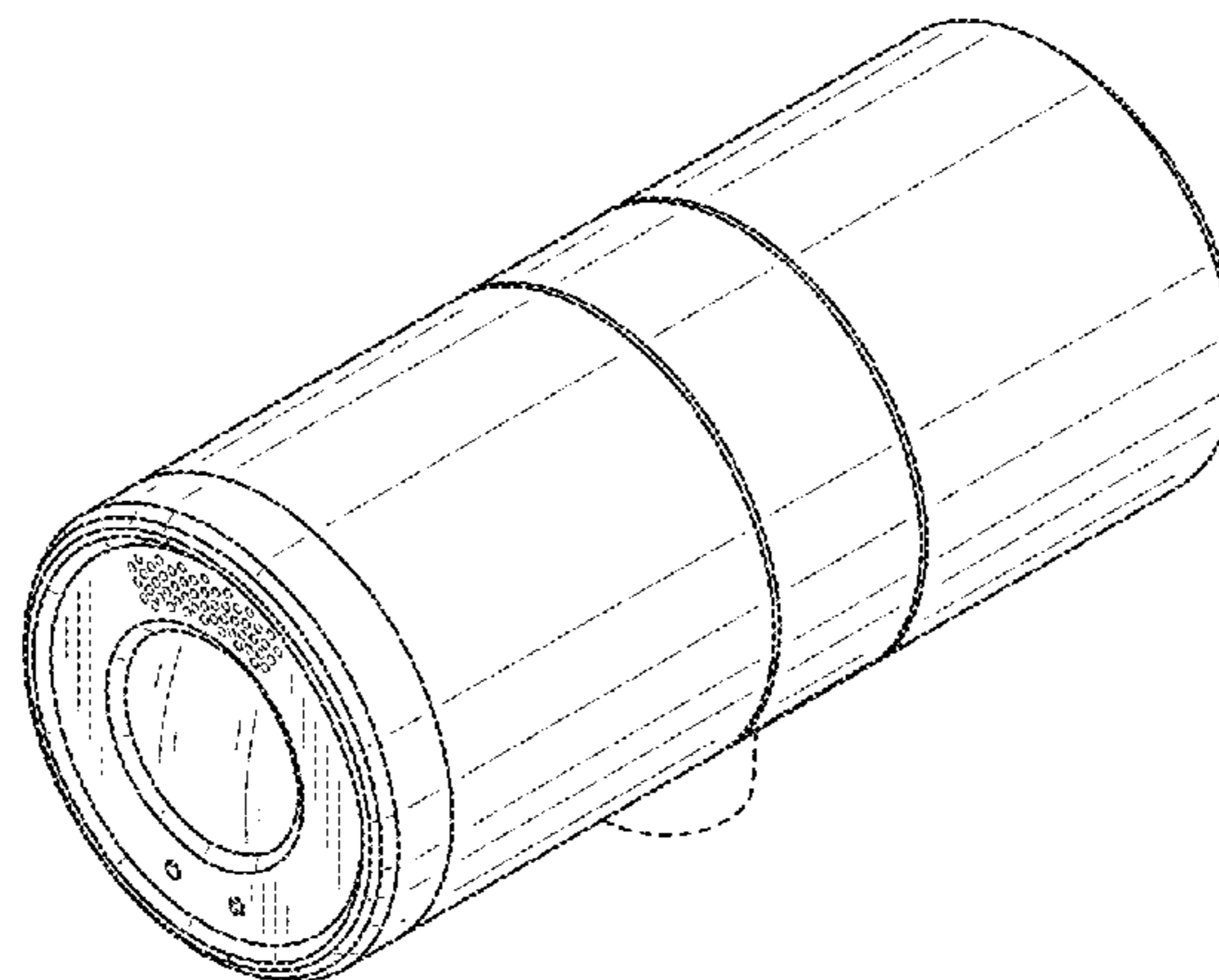


FIG. 1

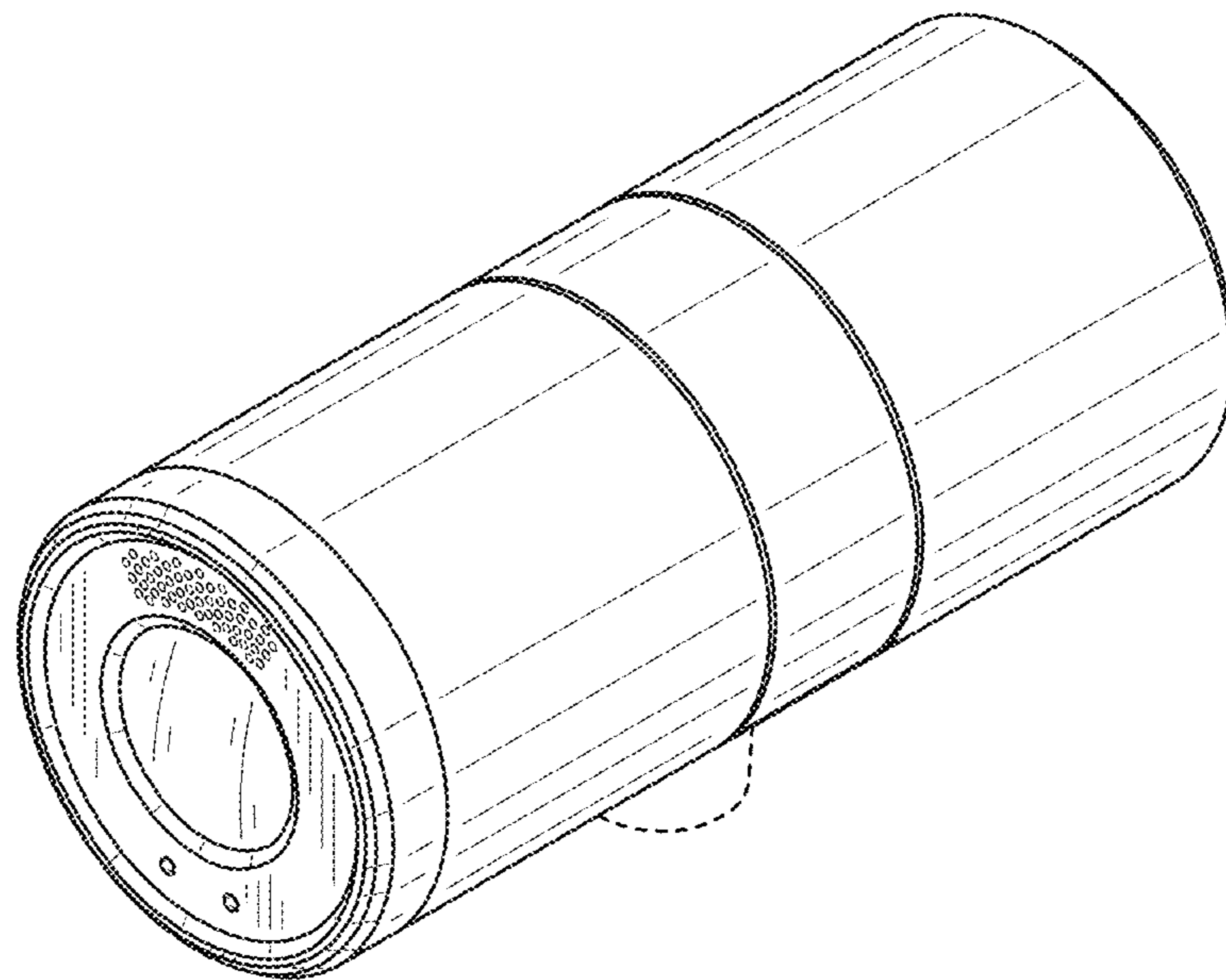


FIG. 2

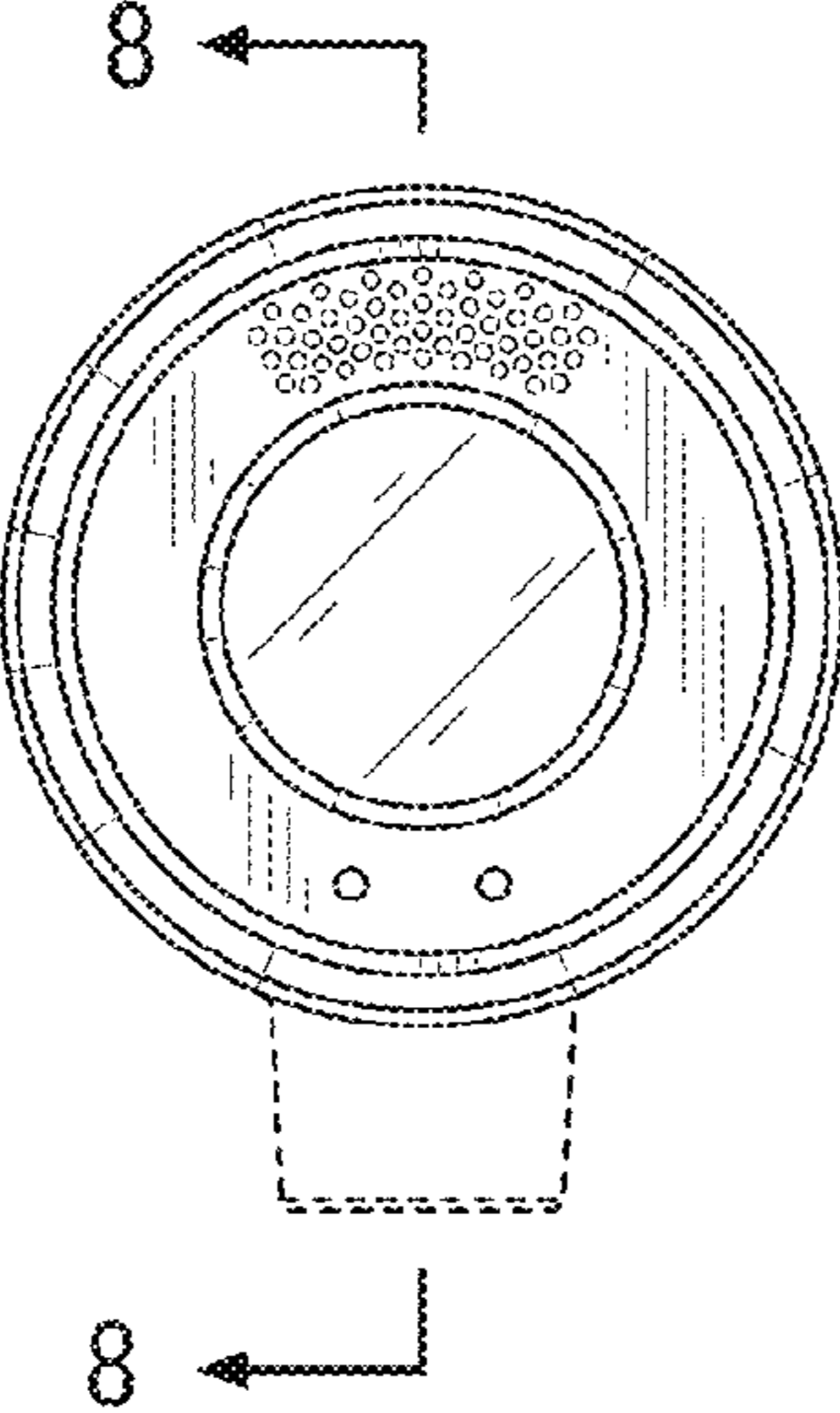


FIG. 3

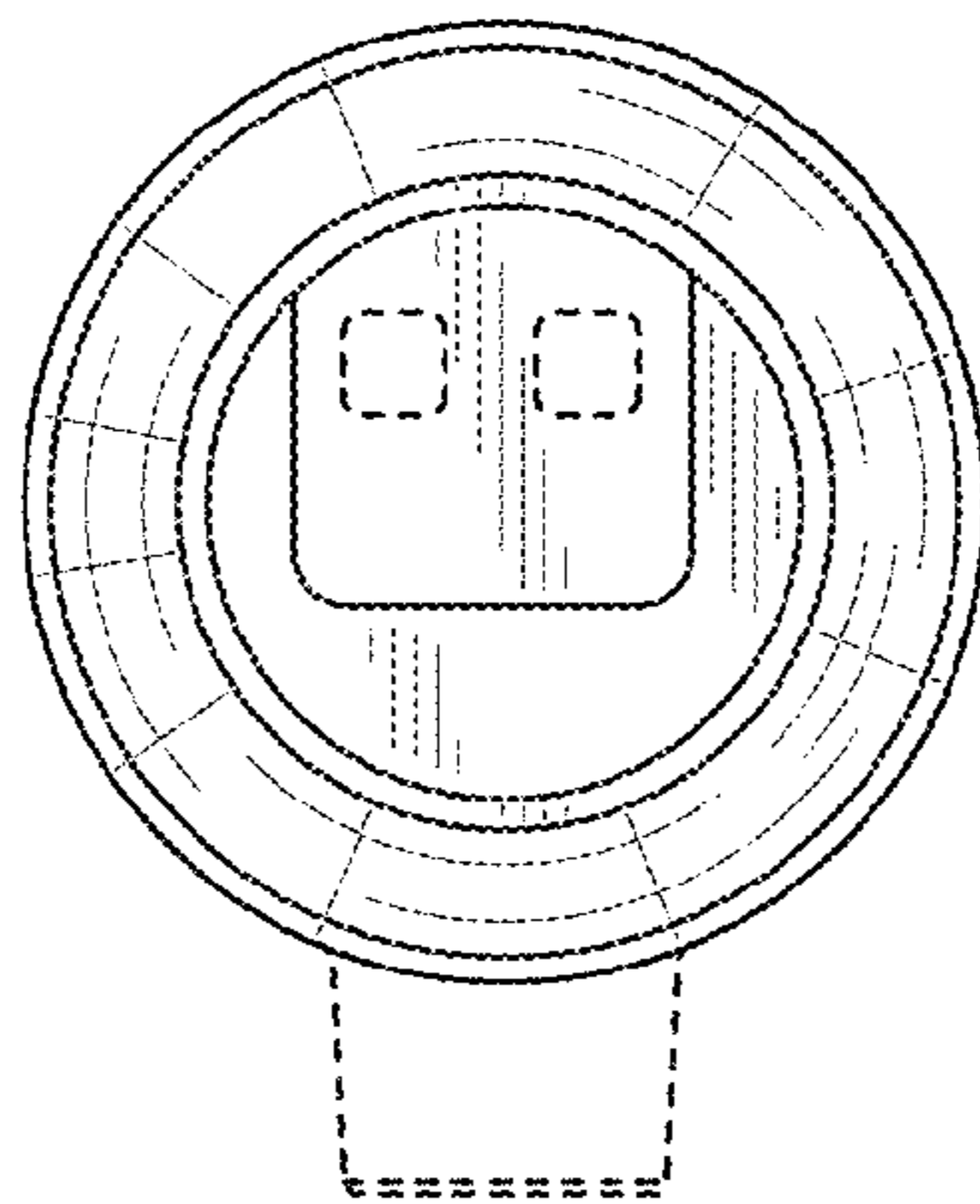


FIG. 4

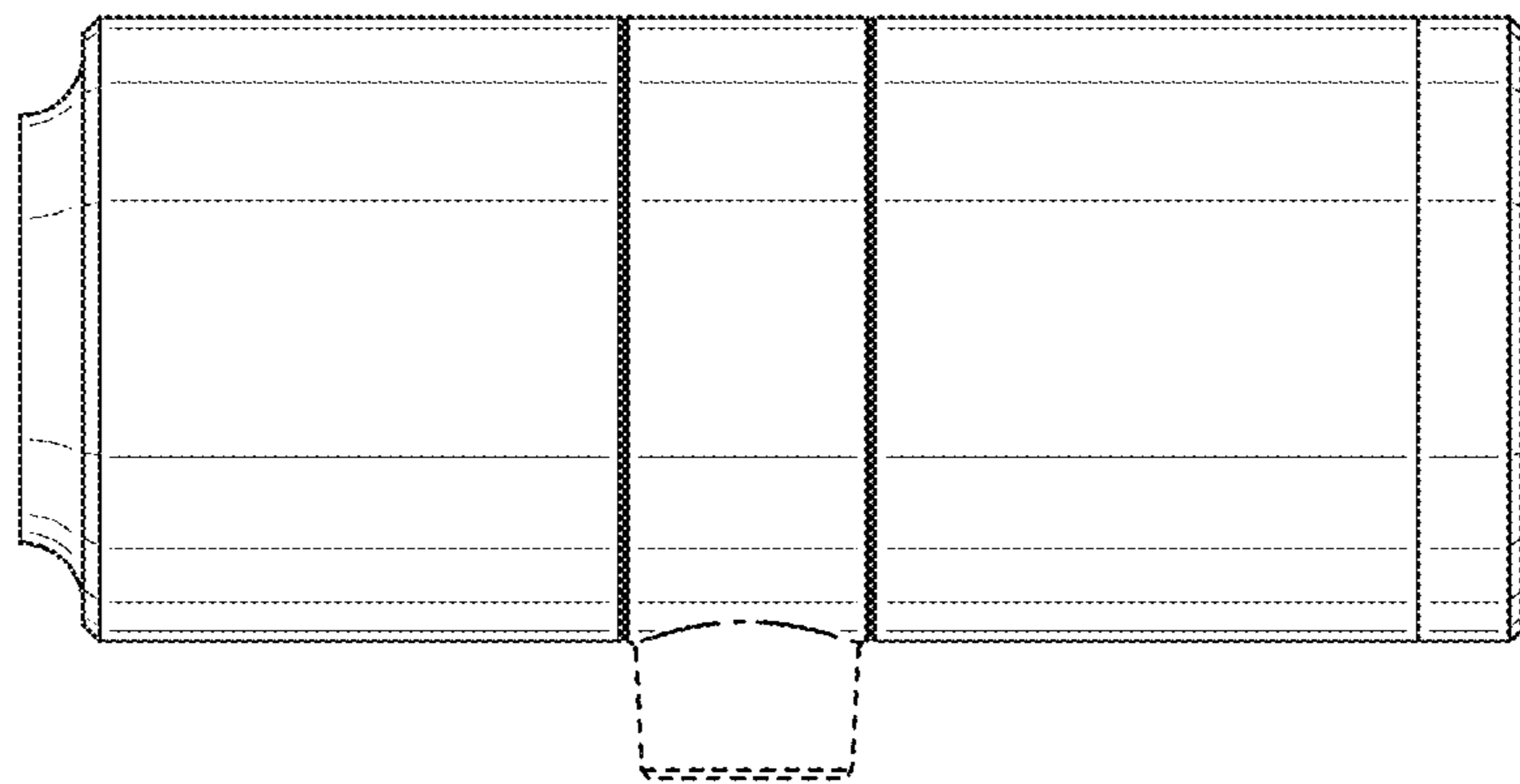


FIG. 5

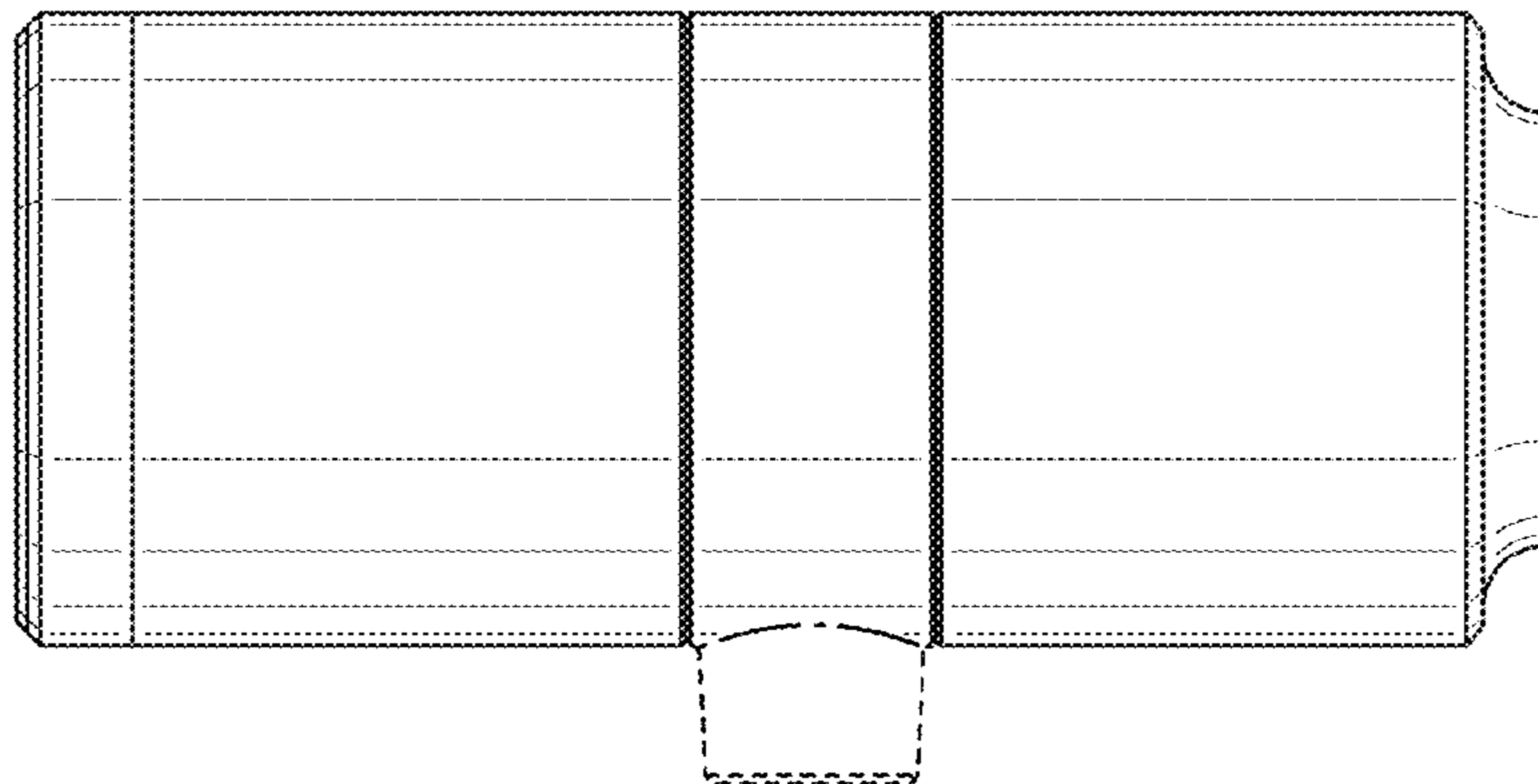


FIG. 6

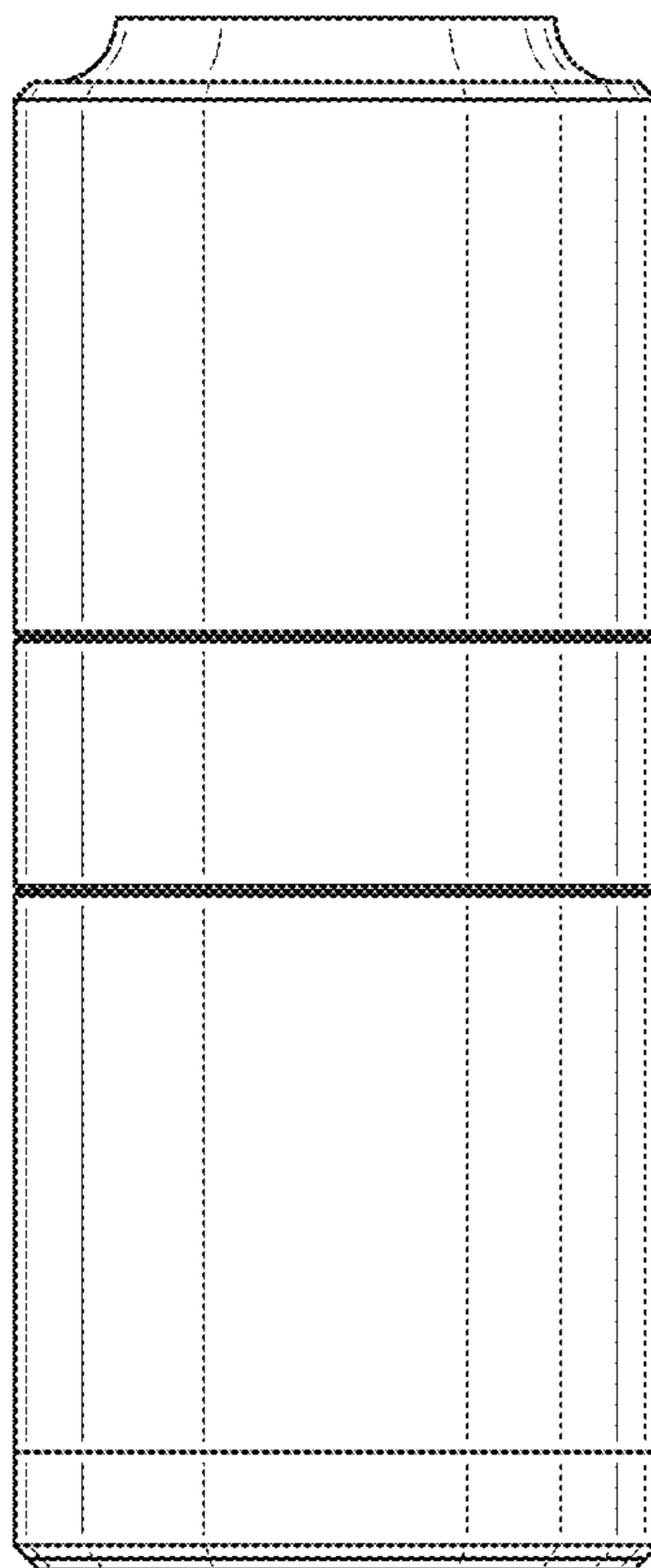


FIG. 7

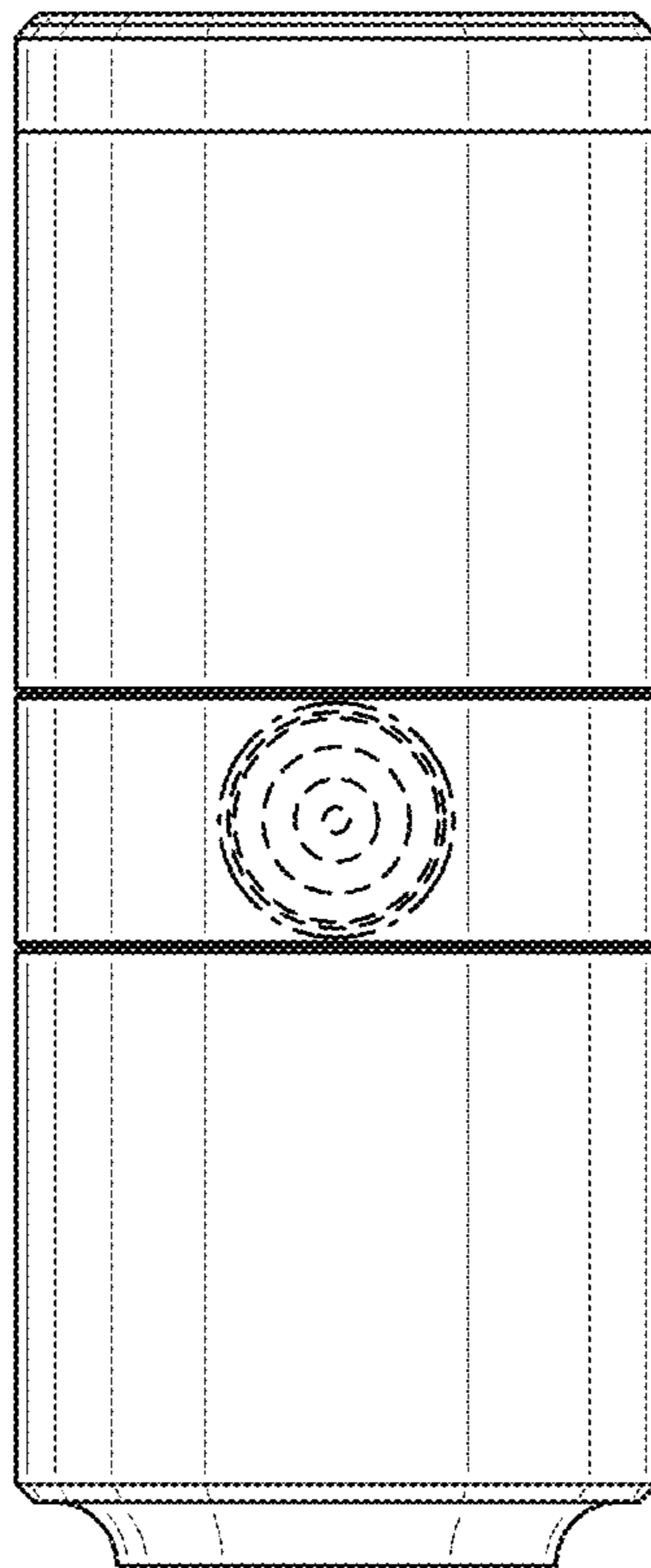


FIG. 8

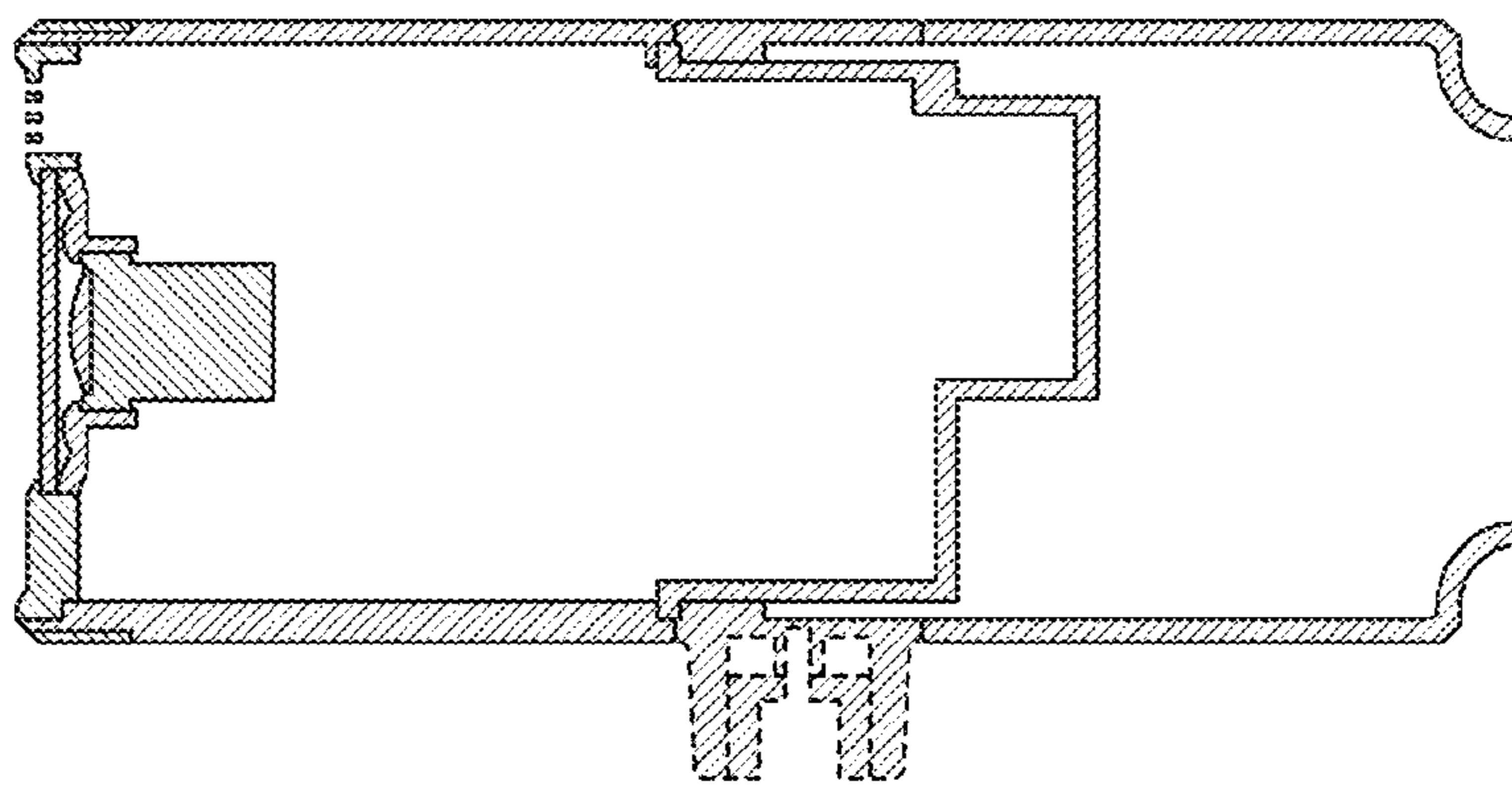


FIG. 9

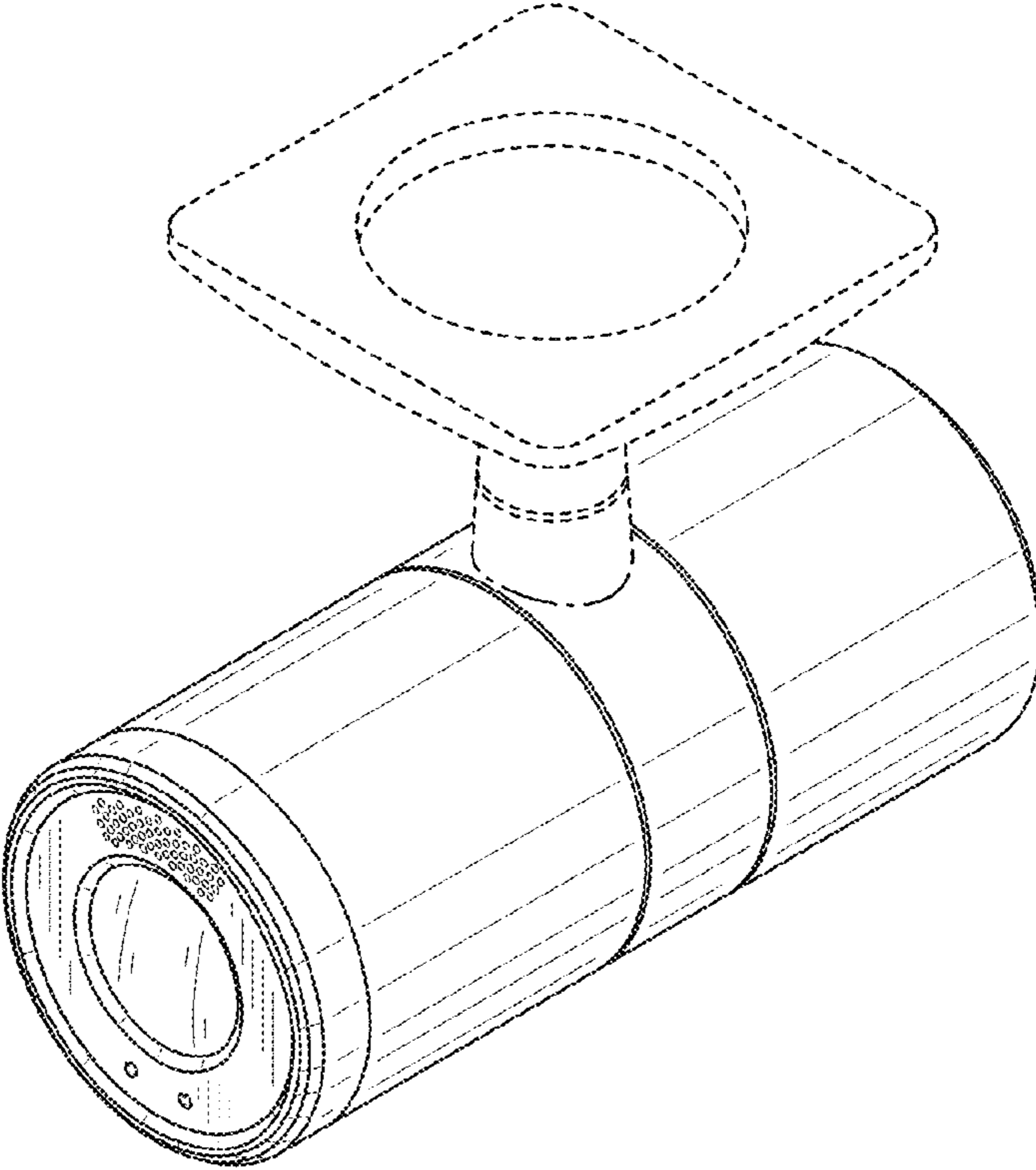


FIG. 10

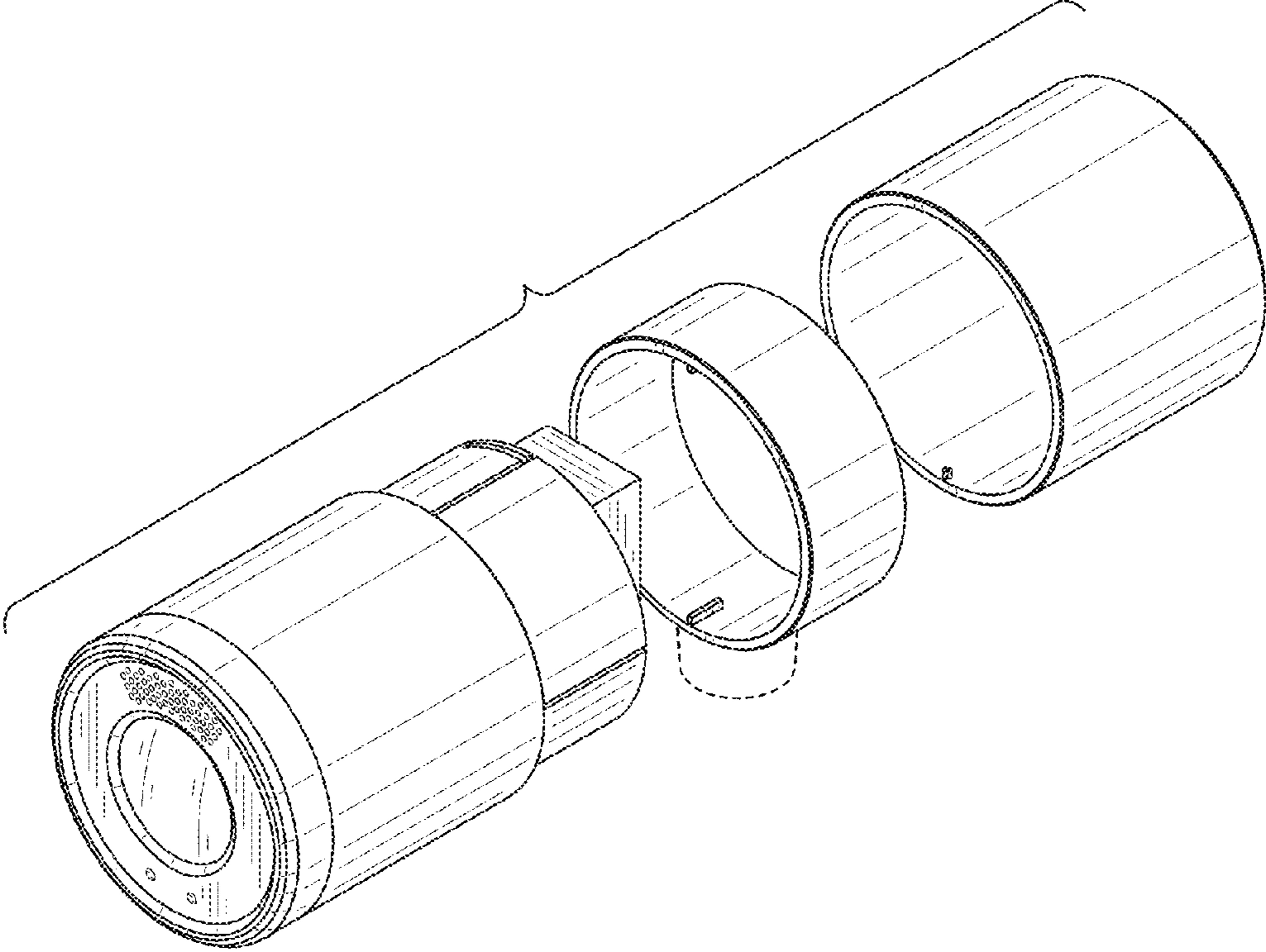


FIG. 11

