



US00D696328S

(12) **United States Design Patent**
Nishiwaki et al.

(10) **Patent No.:** **US D696,328 S**

(45) **Date of Patent:** **** Dec. 24, 2013**

(54) **VIDEO CAMERA**

FOREIGN PATENT DOCUMENTS

(71) Applicant: **Panasonic Corporation**, Osaka (JP)

JP D1440810 5/2012

* cited by examiner

(72) Inventors: **Kenji Nishiwaki**, Osaka (JP); **Hiroyuki Matsumoto**, Osaka (JP)

Primary Examiner — Adir Aronovich

(74) *Attorney, Agent, or Firm* — Panasonic Patent Center

(73) Assignee: **Panasonic Corporation**, Osaka (JP)

(57) **CLAIM**

(**) Term: **14 Years**

We claim the ornamental design for a video camera, as shown and described.

(21) Appl. No.: **29/436,320**

DESCRIPTION

(22) Filed: **Nov. 5, 2012**

(51) **LOC (9) Cl.** **16-01**

(52) **U.S. Cl.**
USPC **D16/202**

(58) **Field of Classification Search**
USPC D16/200, 202, 203, 204, 218;
348/373–376; 396/535, 540, 541
See application file for complete search history.

FIG. 1 is a front, top and right side perspective view of a video camera of the present invention;
FIG. 2 is a rear, top and left side perspective view thereof;
FIG. 3 is a rear, top and right side perspective view thereof with a monitor opened;
FIG. 4 is a front elevational view thereof;
FIG. 5 is a rear elevational view thereof;
FIG. 6 is a top plan view thereof;
FIG. 7 is bottom plan view thereof;
FIG. 8 is a left side elevational view thereof;
FIG. 9 is right side elevational view thereof;
FIG. 10 is a sectional view taken along the line 10-10 of FIG. 4; and,

FIG. 11 is a sectional view taken along the line 11-11 of FIG. 9.

The broken line showing of video camera is included for the purpose of illustrating environment and forms no part of the claimed design. The dash-dot broken lines in FIGS. 2, 4, 5, 7 and 8 define the bounds of the claimed design form no part thereof.

(56) **References Cited**

U.S. PATENT DOCUMENTS

D588,176 S *	3/2009	Tanifuji et al.	D16/202
D612,881 S *	3/2010	Narita et al.	D16/202
D613,323 S *	4/2010	Jang et al.	D16/203
7,784,156 B2 *	8/2010	Sugimura et al.	348/333.06
D629,823 S	12/2010	Tanifuji et al.		
7,859,592 B2 *	12/2010	Takahashi et al.	348/373
D632,325 S *	2/2011	Jang et al.	D16/203
D664,176 S *	7/2012	Naoya	D16/202
D675,240 S *	1/2013	Narita et al.	D16/202
D681,711 S *	5/2013	Ishibashi et al.	D16/202
D689,110 S *	9/2013	Euihoon et al.	D16/202

1 Claim, 11 Drawing Sheets

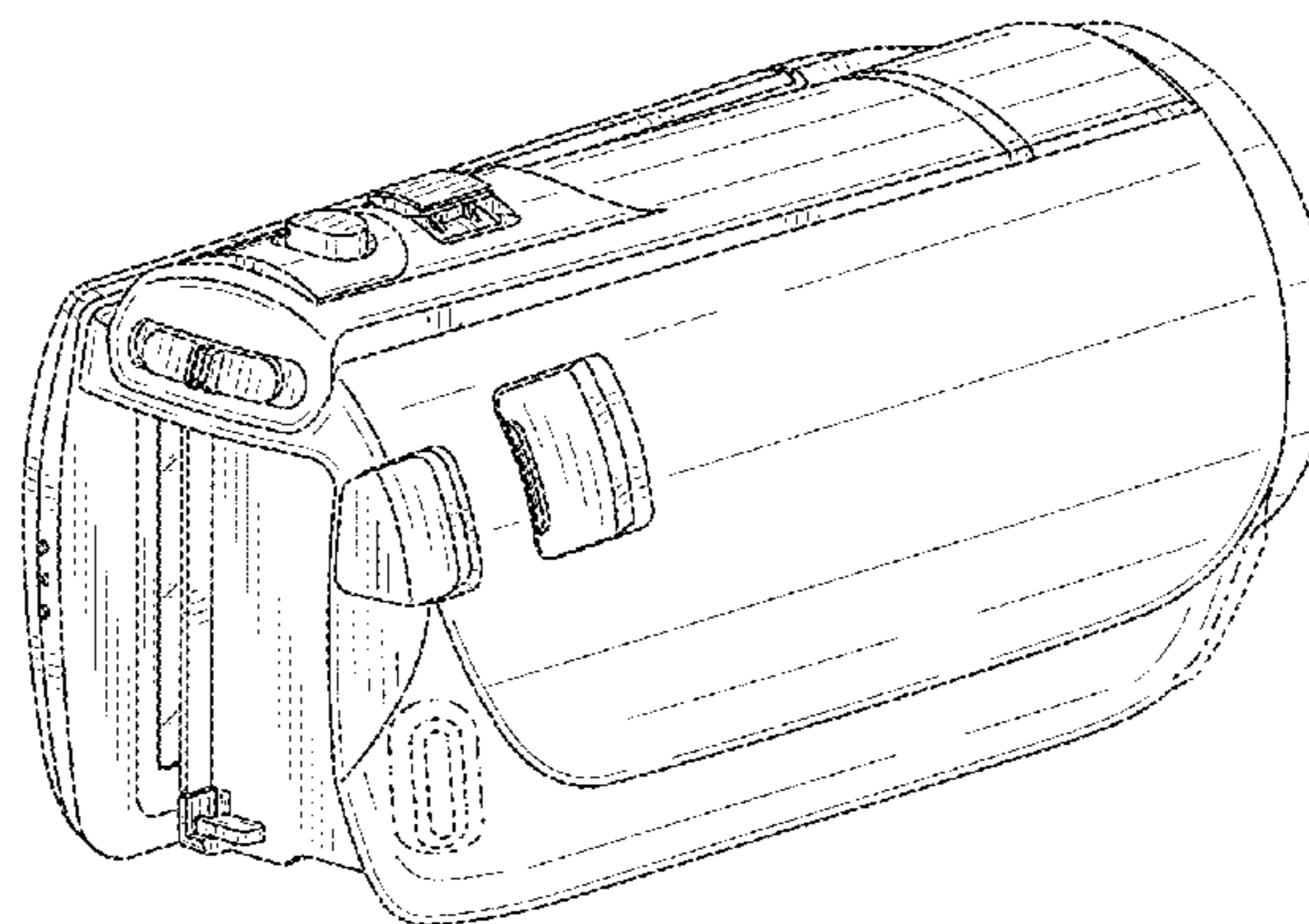
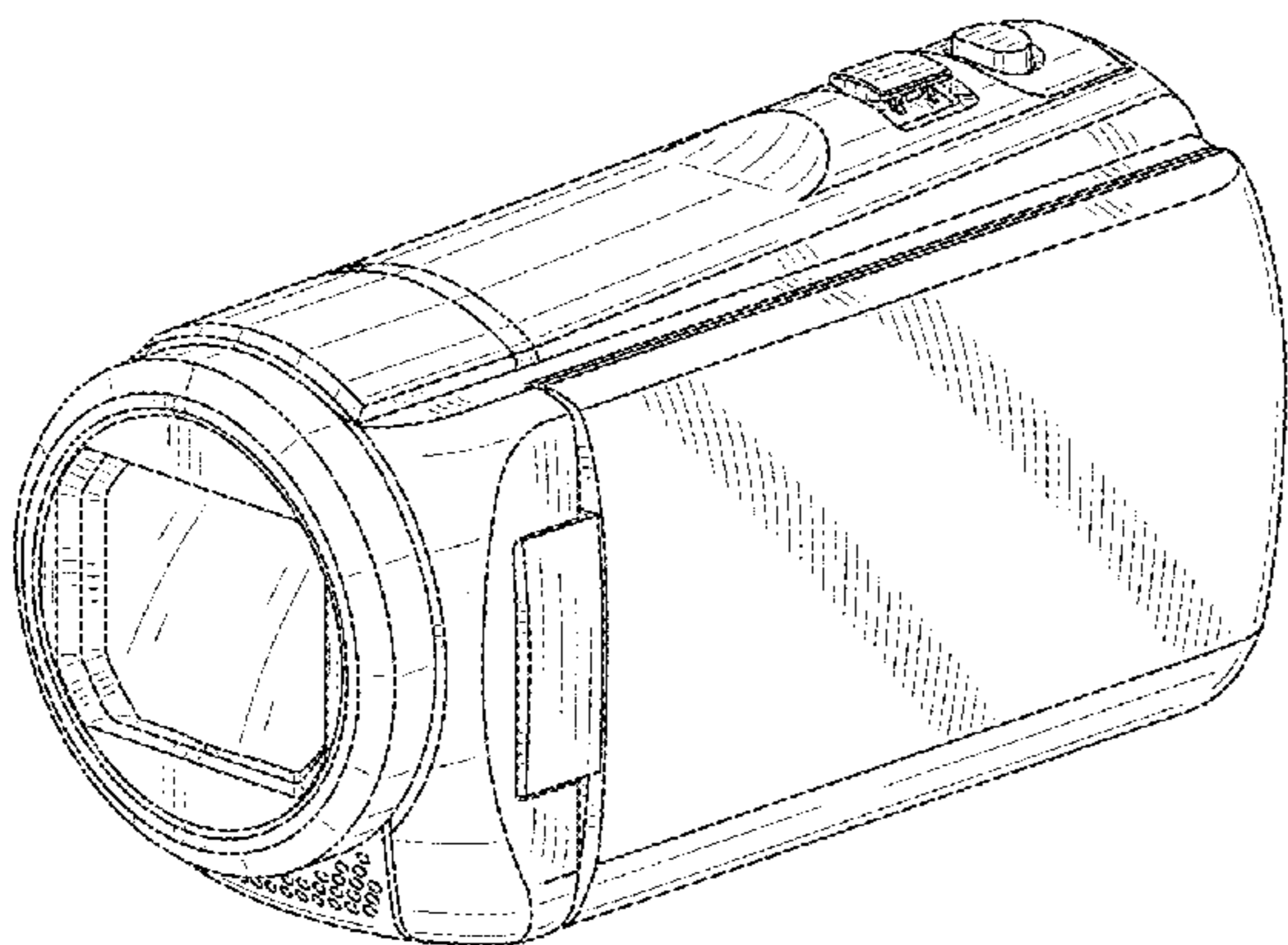


FIG. 1

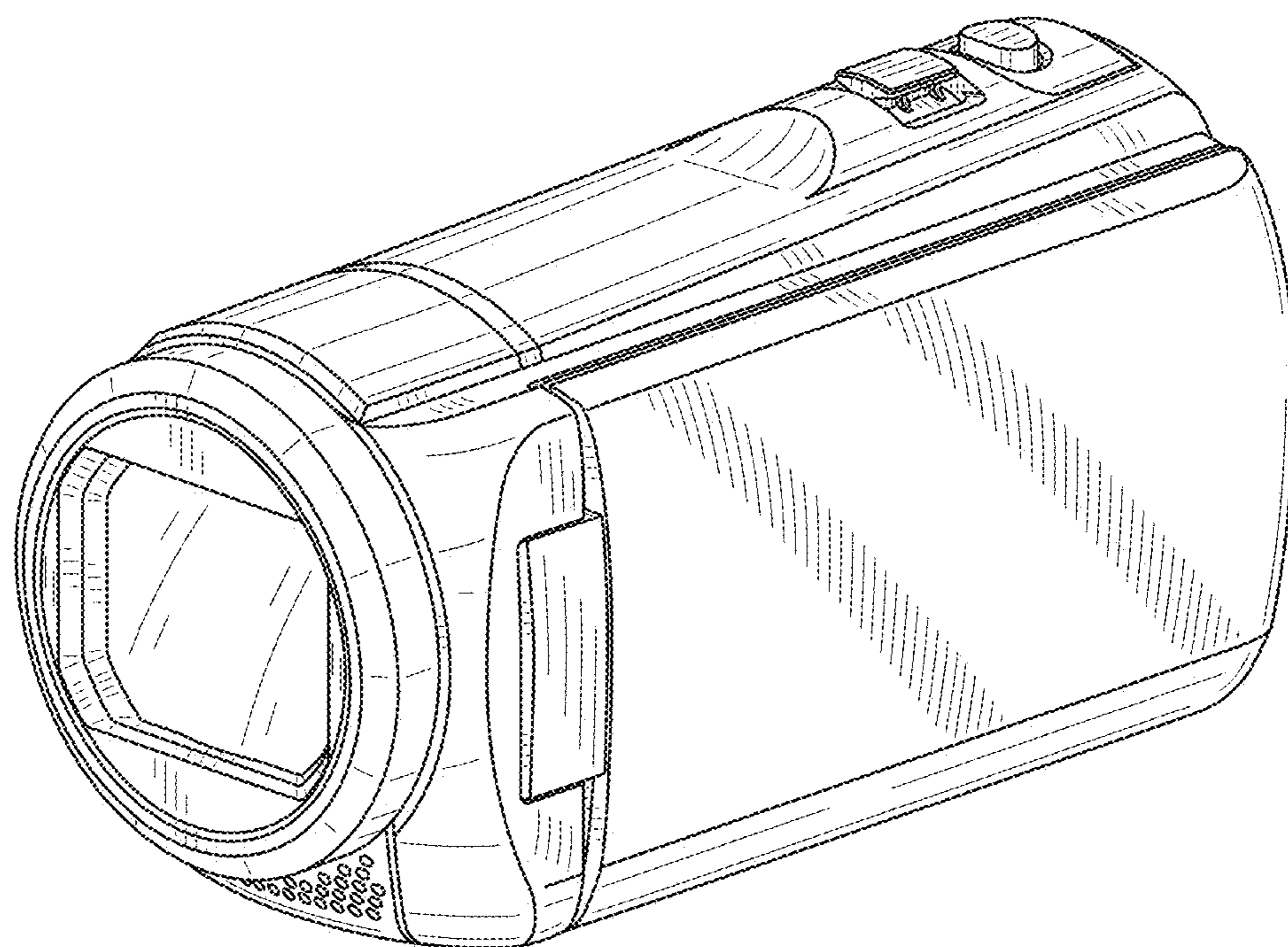


FIG. 2

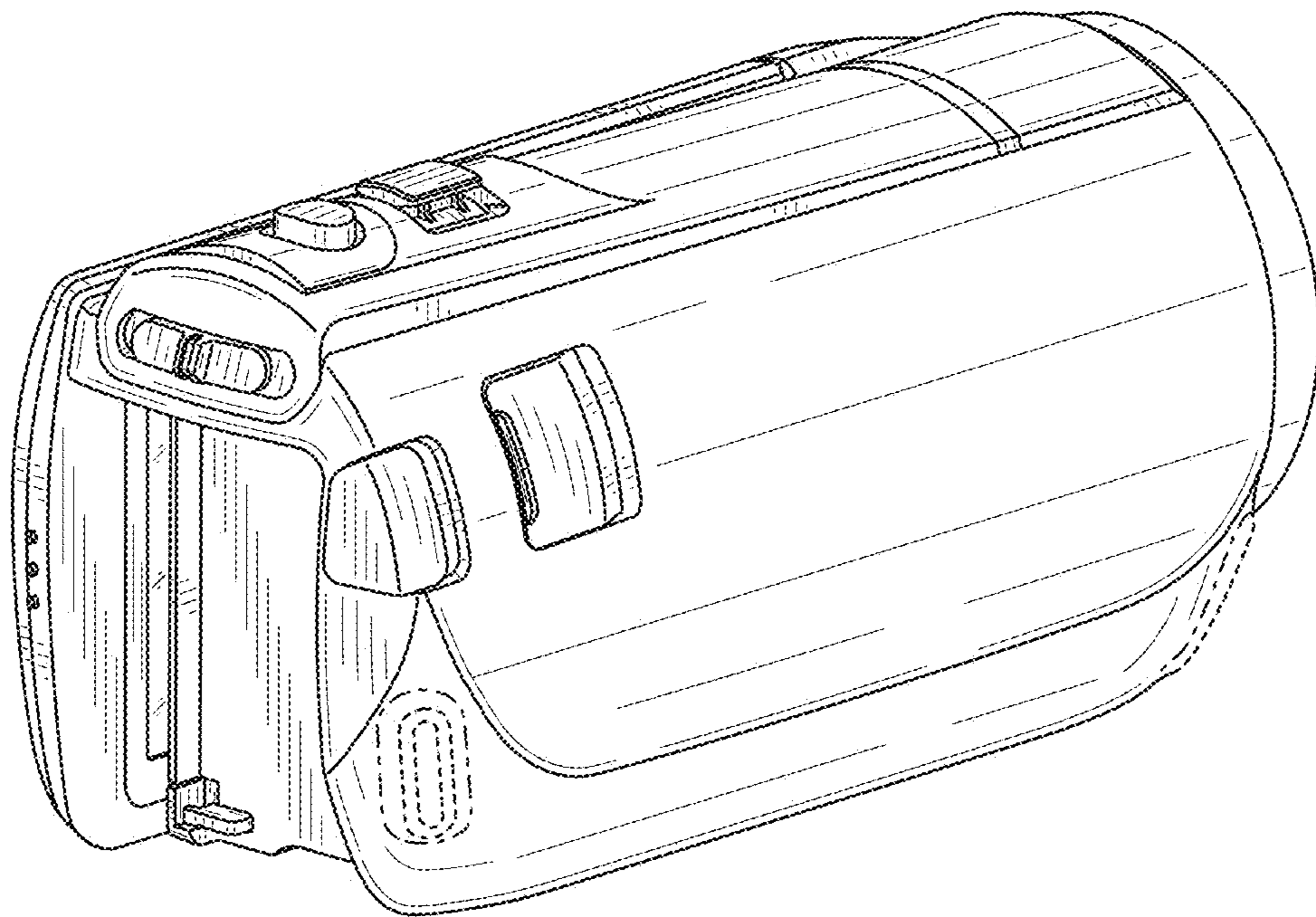


FIG. 3

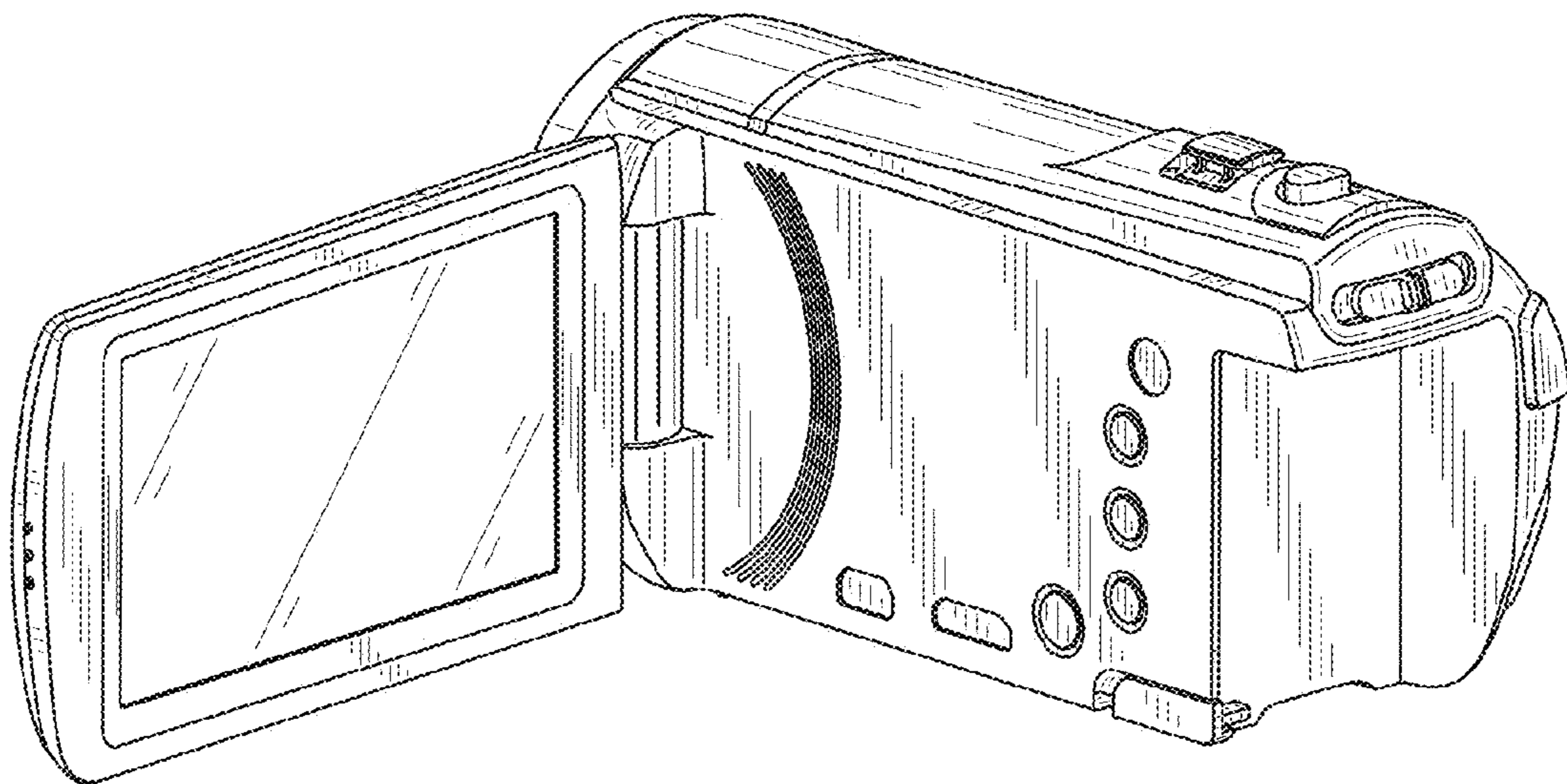


FIG. 4

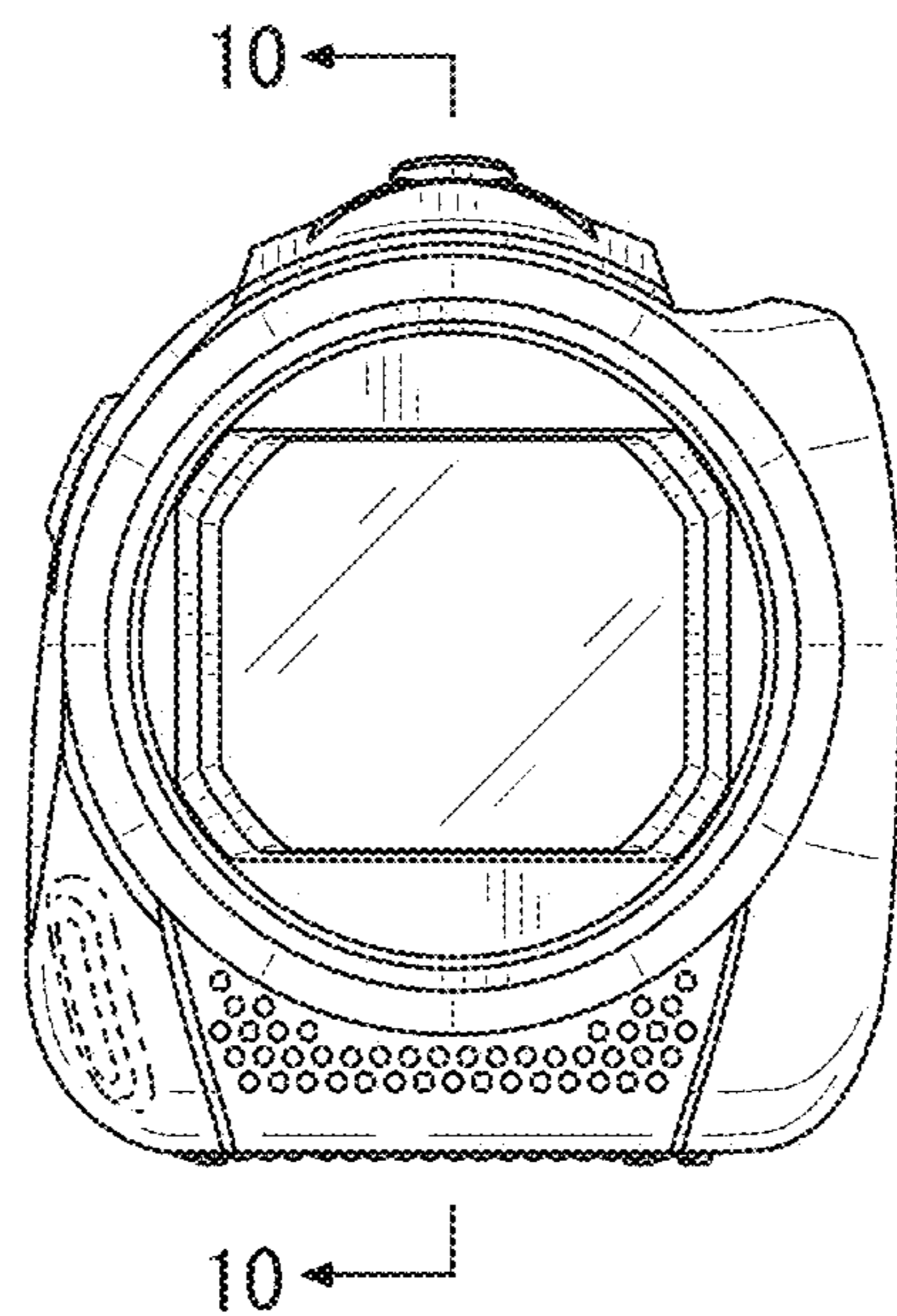


FIG. 5

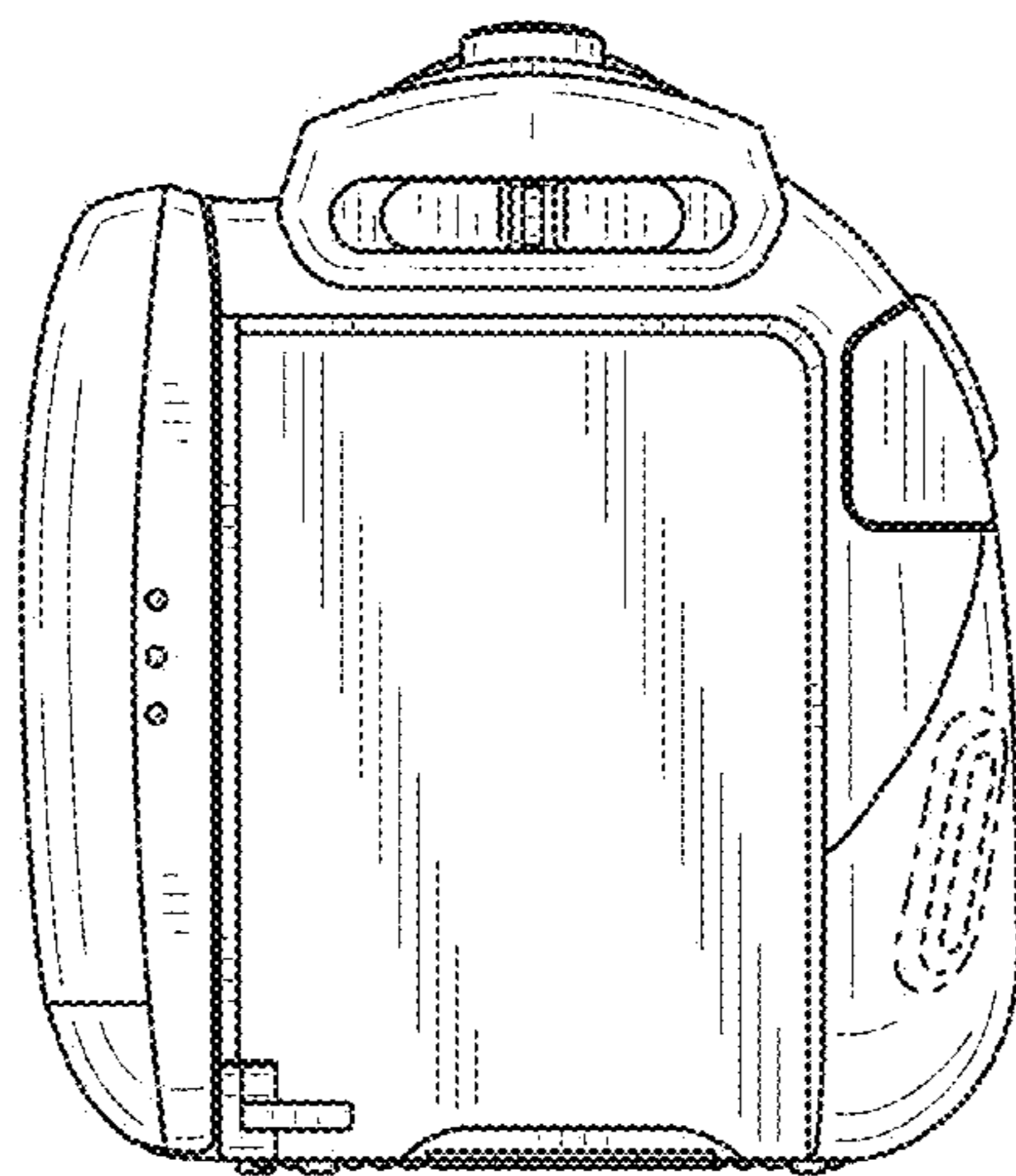


FIG. 6

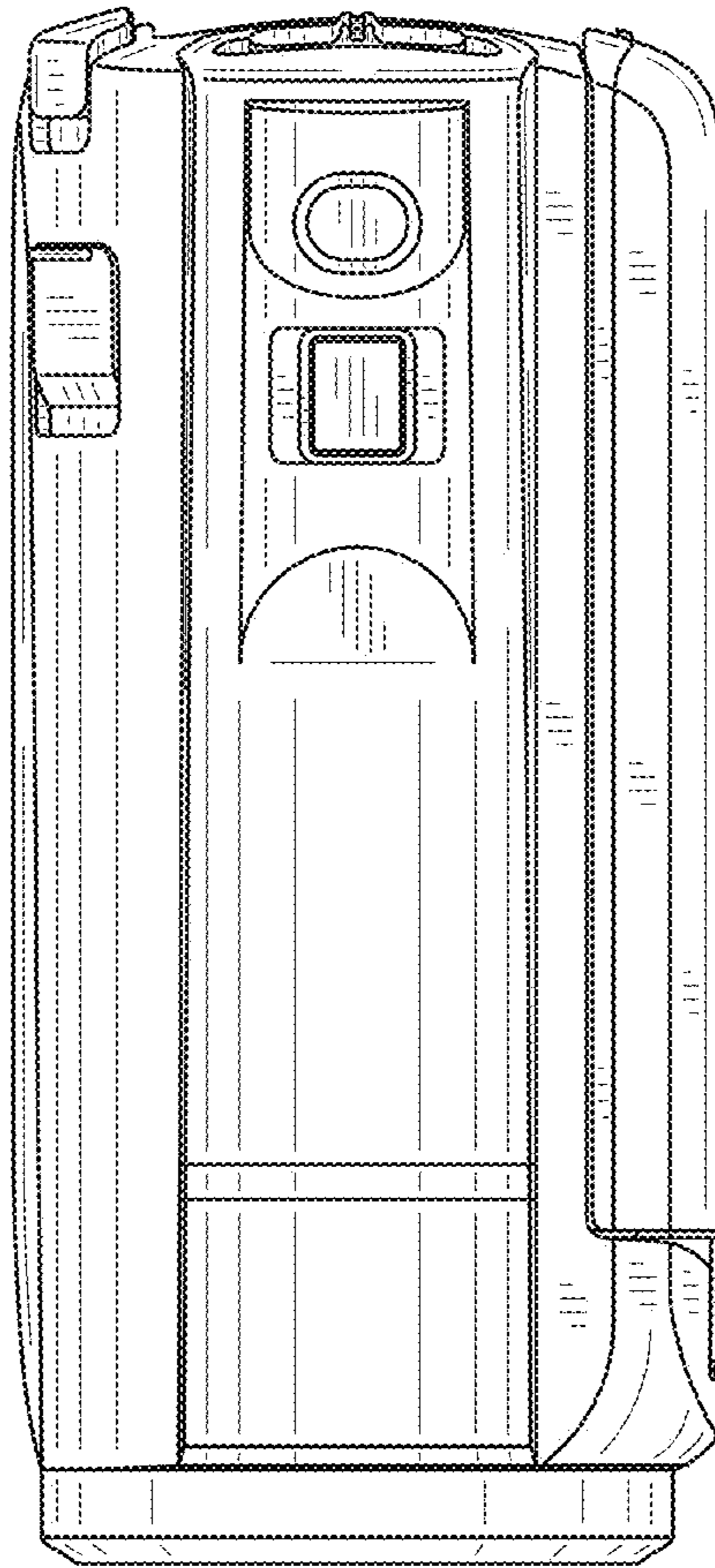


FIG. 7

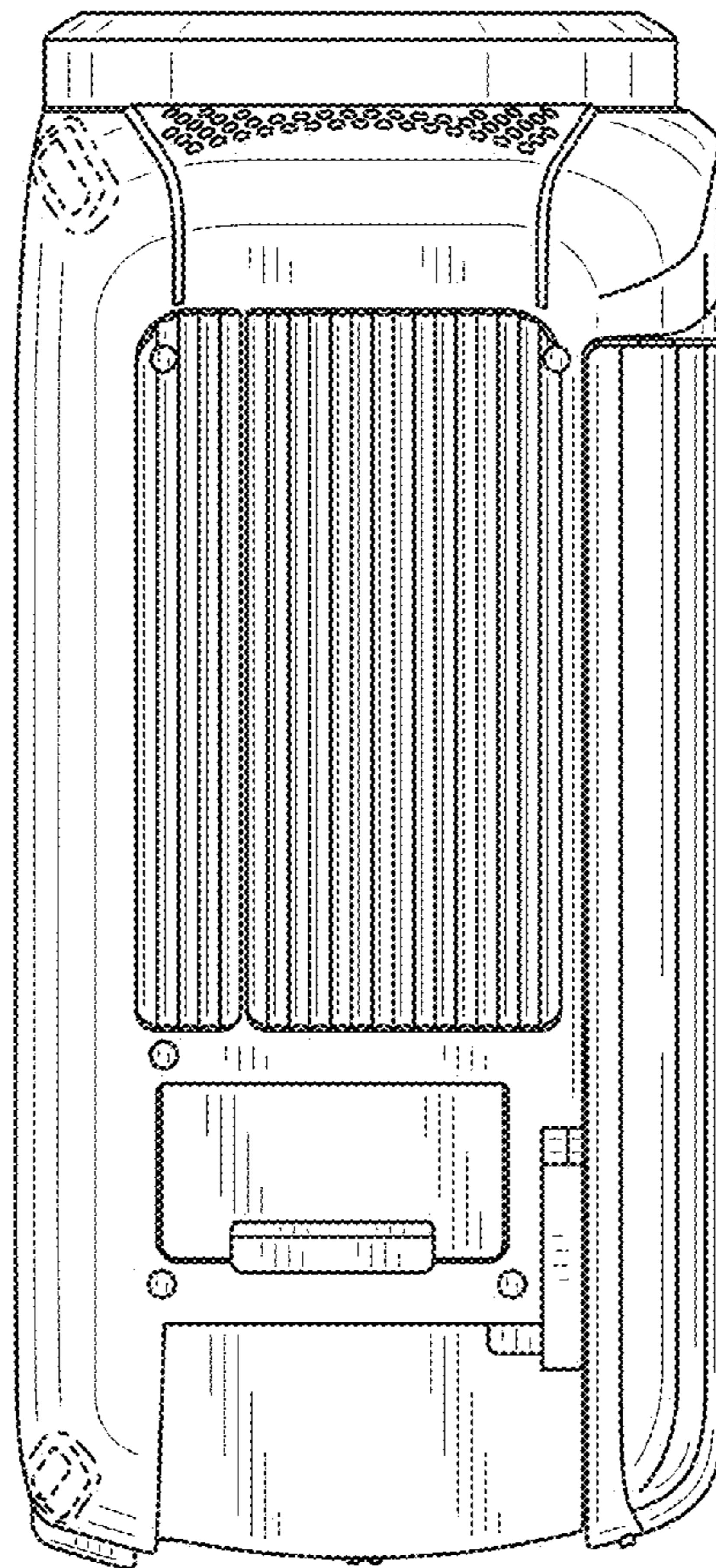


FIG. 8

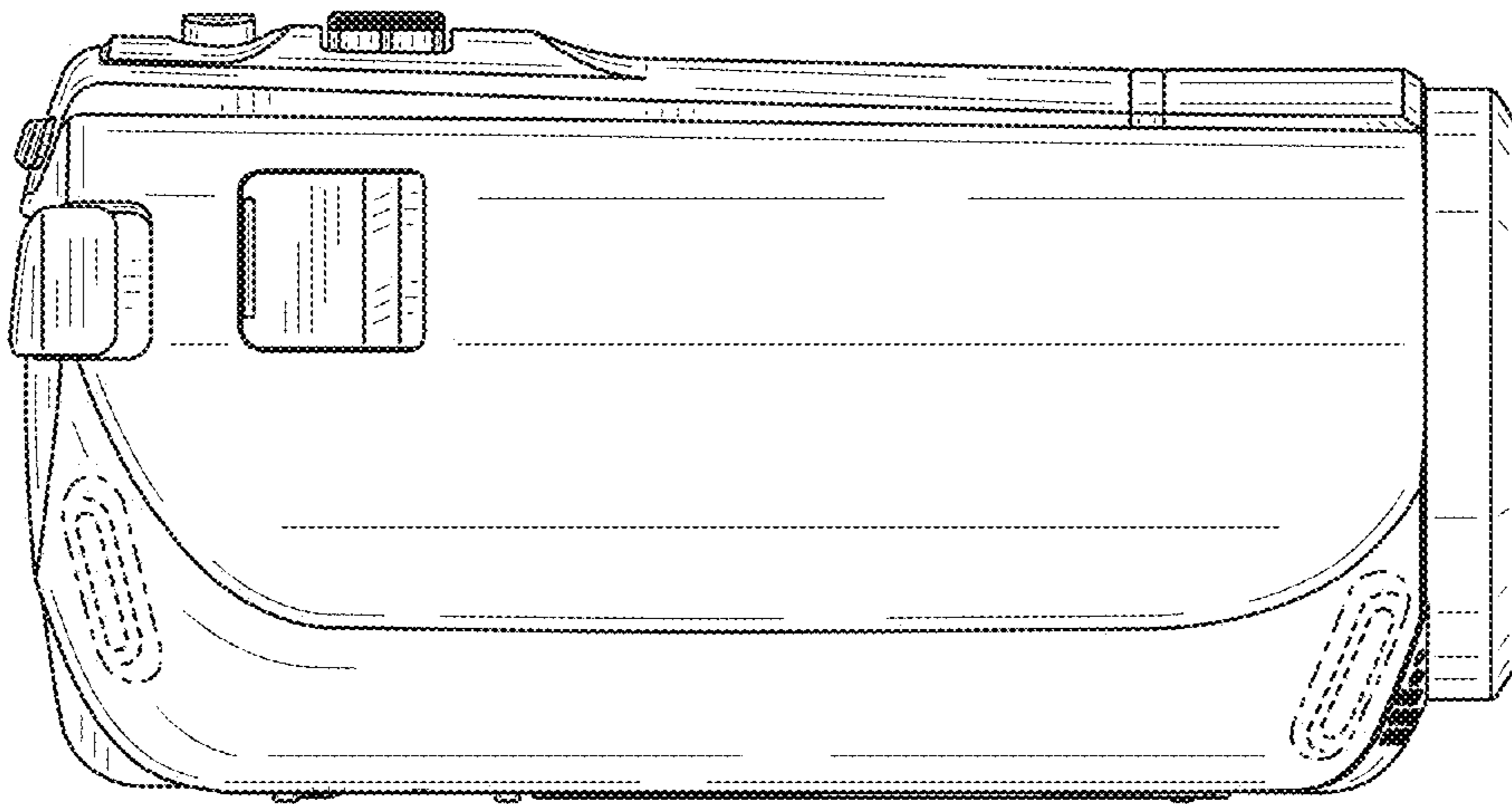


FIG. 9

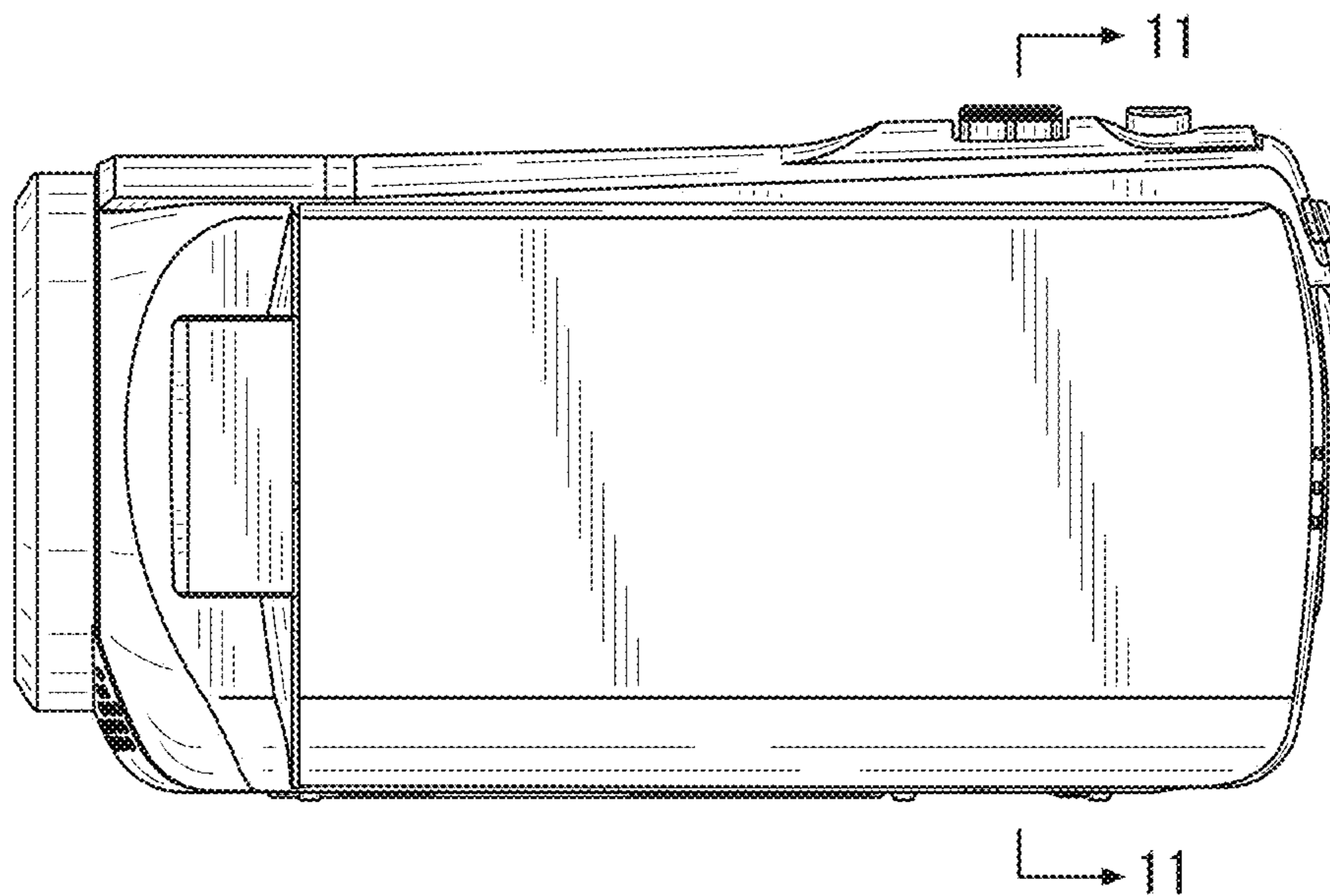


FIG. 10

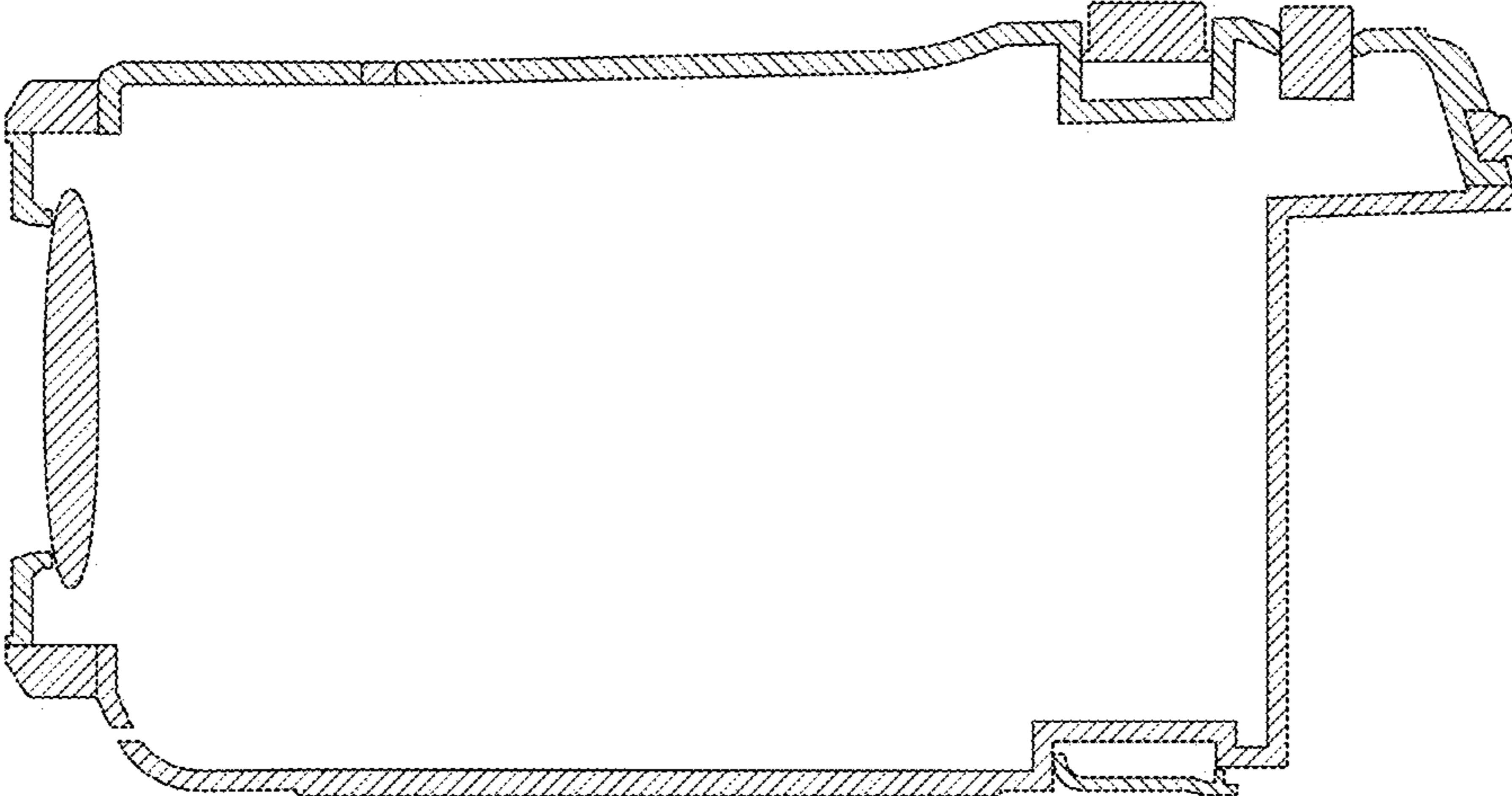


FIG. 11

