



US00D696327S

(12) **United States Design Patent**
Jang et al.

(10) **Patent No.:** **US D696,327 S**

(45) **Date of Patent:** **** Dec. 24, 2013**

(54) **DIGITAL CAMERA**

(75) Inventors: **Seung-Ho Jang**, Seongnam-si (KR);
Sung-Min Shin, Hwaseong-si (KR)

(73) Assignee: **Samsung Electronics Co., Ltd.**,
Suwon-si (KR)

(**) Term: **14 Years**

(21) Appl. No.: **29/429,123**

(22) Filed: **Aug. 7, 2012**

(30) **Foreign Application Priority Data**

May 4, 2012 (KR) 30-2012-0021790

(51) **LOC (9) Cl.** **16-01**

(52) **U.S. Cl.**
USPC **D16/202**

(58) **Field of Classification Search**
USPC D16/200, 202, 203, 204, 218;
348/373-376; 358/909.1; 396/535-541
See application file for complete search history.

(56) **References Cited**

U.S. PATENT DOCUMENTS

D545,335 S * 6/2007 Kanno D16/218
D556,230 S * 11/2007 Hanafusa et al. D16/202

7,778,014 B2 * 8/2010 Saiki et al. 361/679.01
D634,766 S * 3/2011 Ham D16/202
D639,841 S * 6/2011 Sul D16/202
8,014,667 B2 * 9/2011 Saiki 396/535
D669,517 S * 10/2012 Nakamura D16/202

FOREIGN PATENT DOCUMENTS

JP 24-D1451199 S 8/2012

* cited by examiner

Primary Examiner — Adir Aronovich

(74) *Attorney, Agent, or Firm* — Jefferson IP Law, LLP

(57) **CLAIM**

The ornamental design for digital camera, as shown and described.

DESCRIPTION

FIG. 1 is a front, top and left side perspective view of a digital camera showing our new design;
FIG. 2 is a front elevational view thereof;
FIG. 3 is a rear elevational view thereof;
FIG. 4 is a left side elevational view thereof;
FIG. 5 is a right side elevational view thereof;
FIG. 6 is a top plan view thereof; and,
FIG. 7 is a bottom plan view thereof.

1 Claim, 7 Drawing Sheets

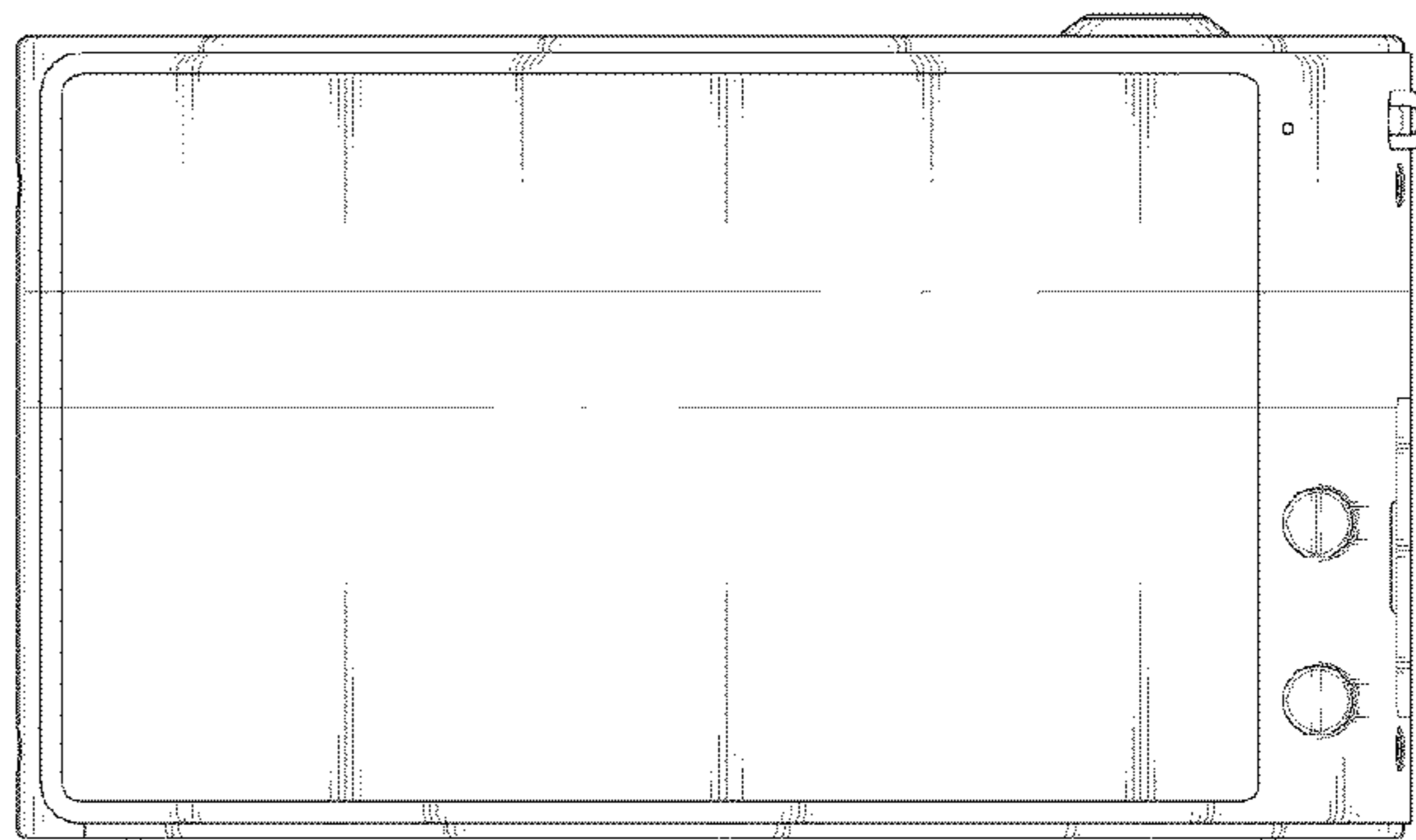
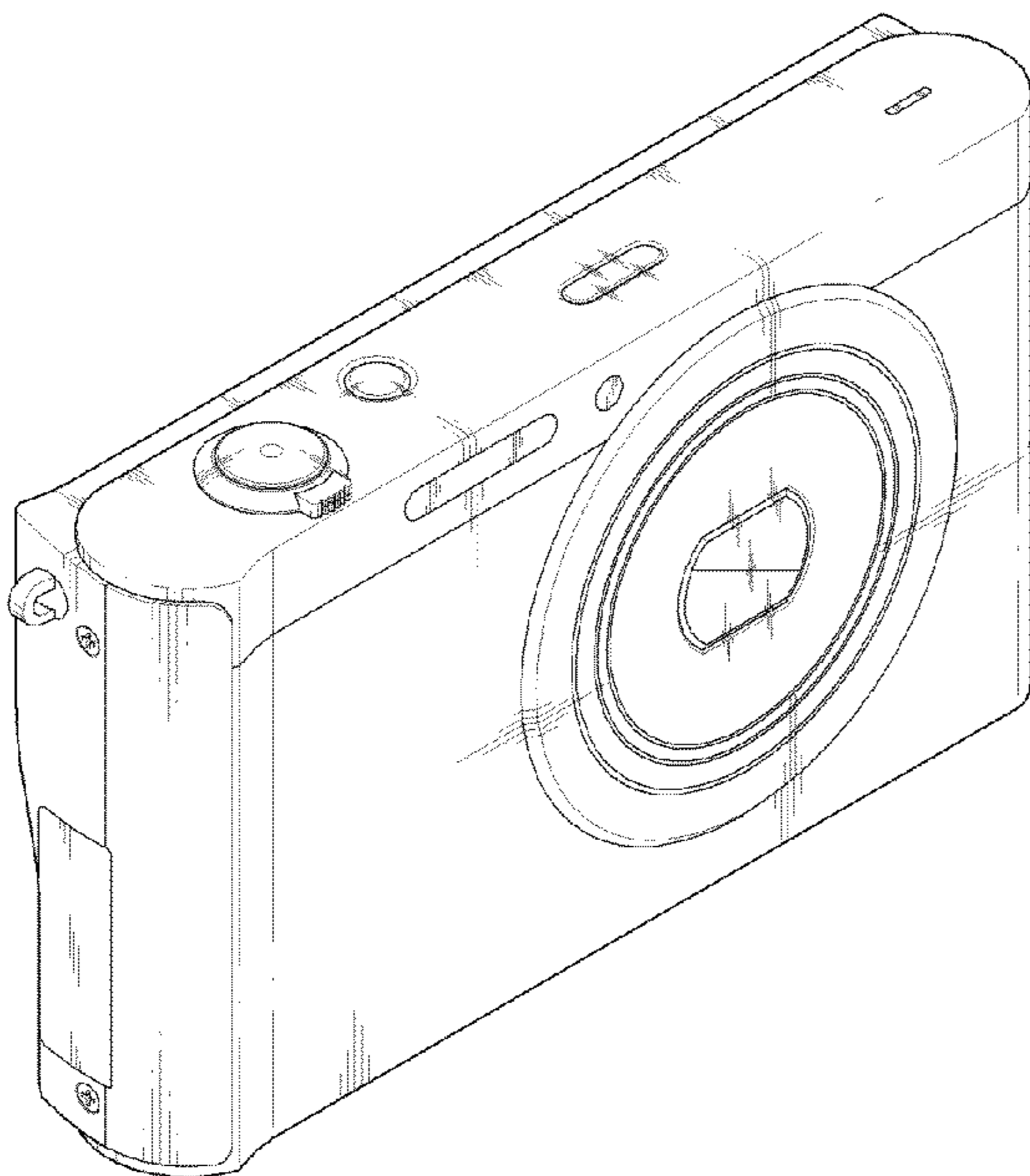


FIG. 1

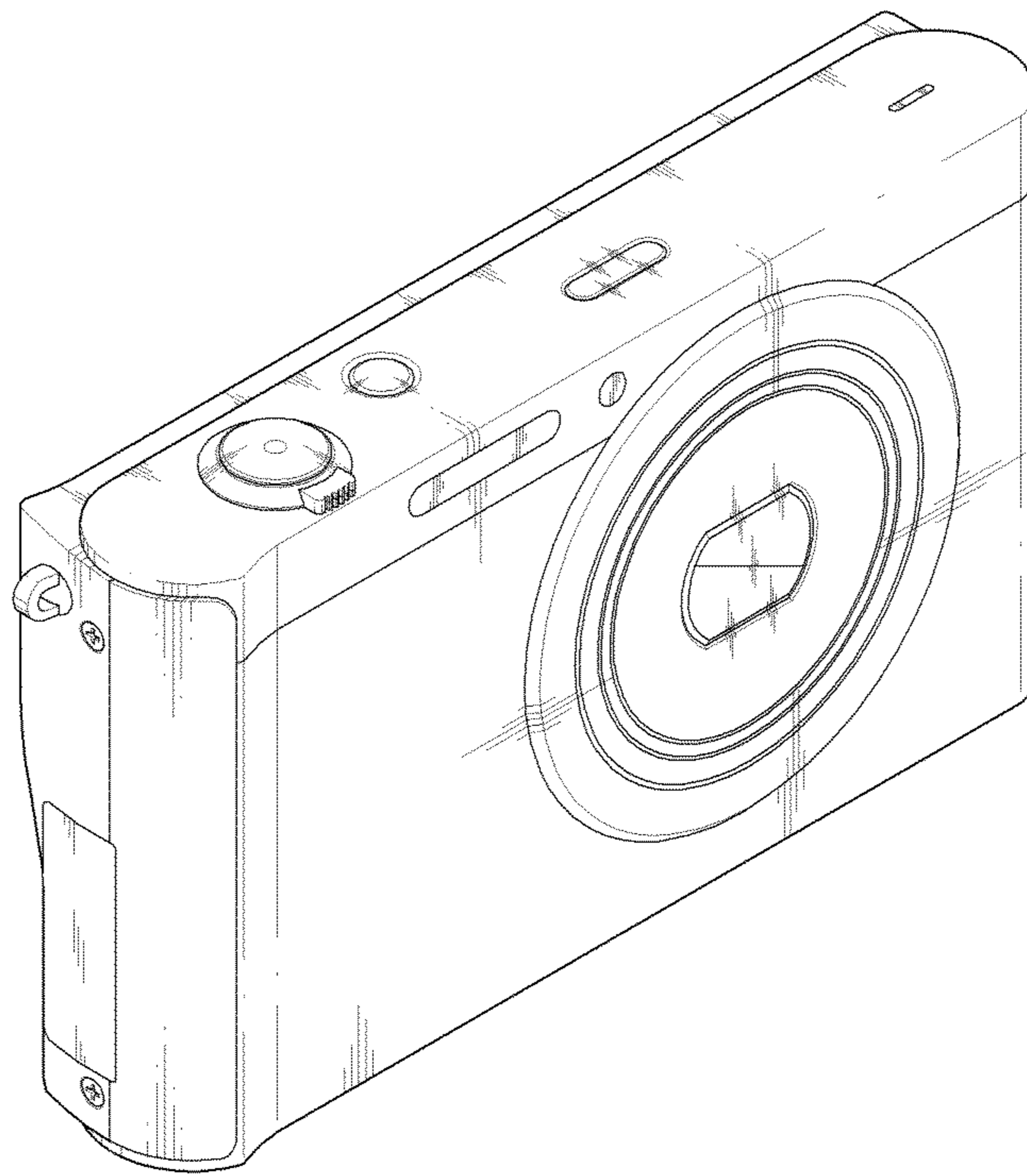


FIG.2

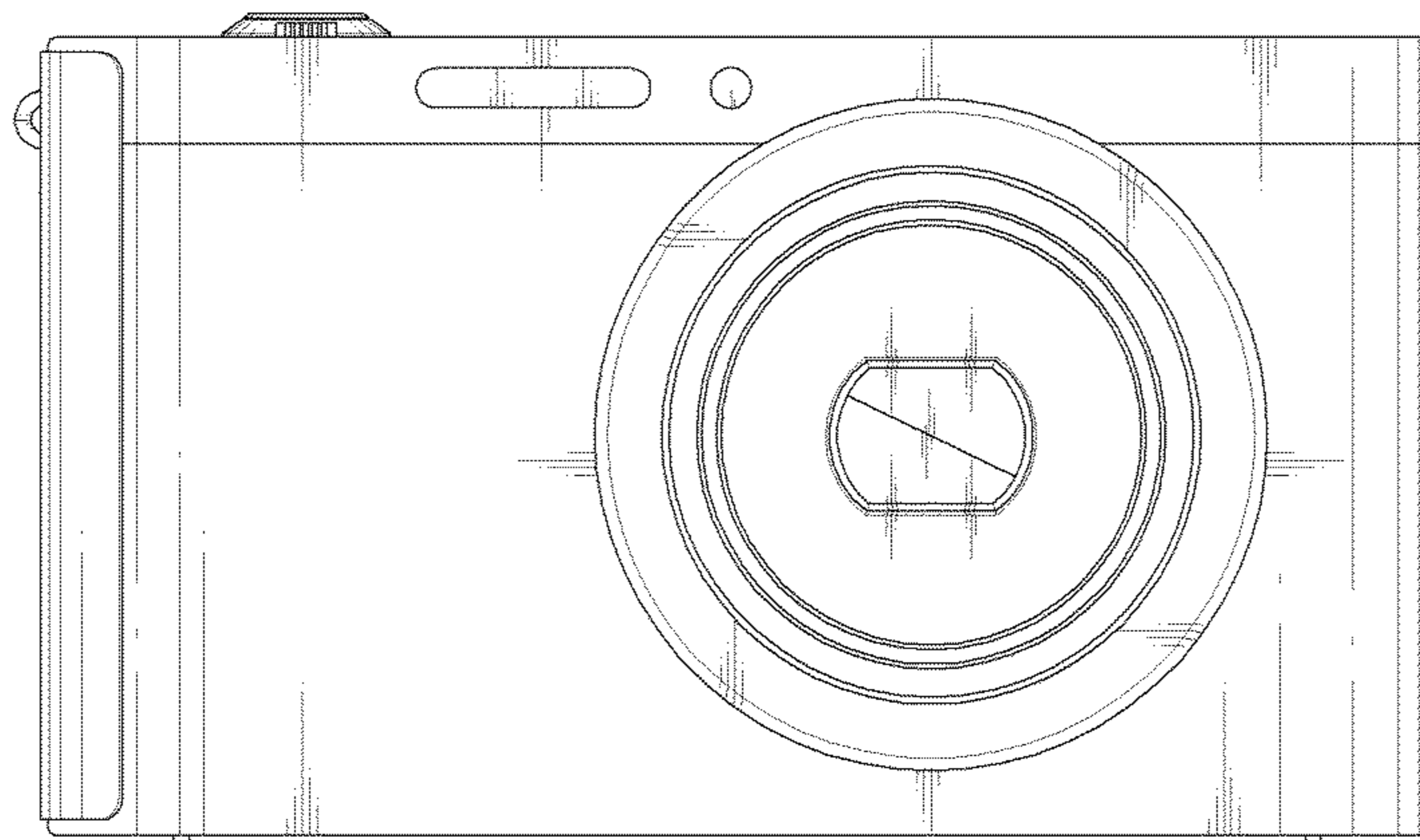


FIG. 3

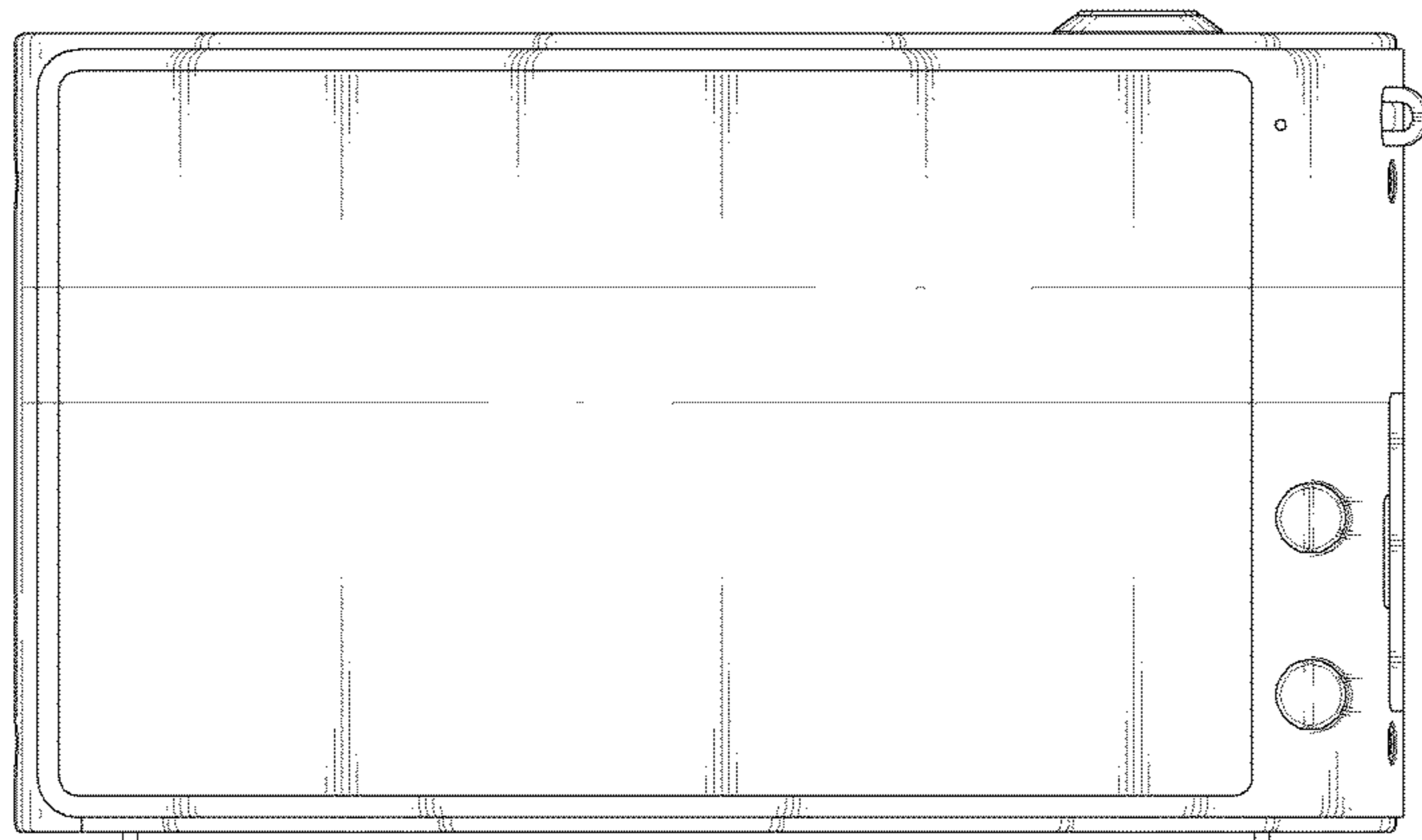


FIG. 4

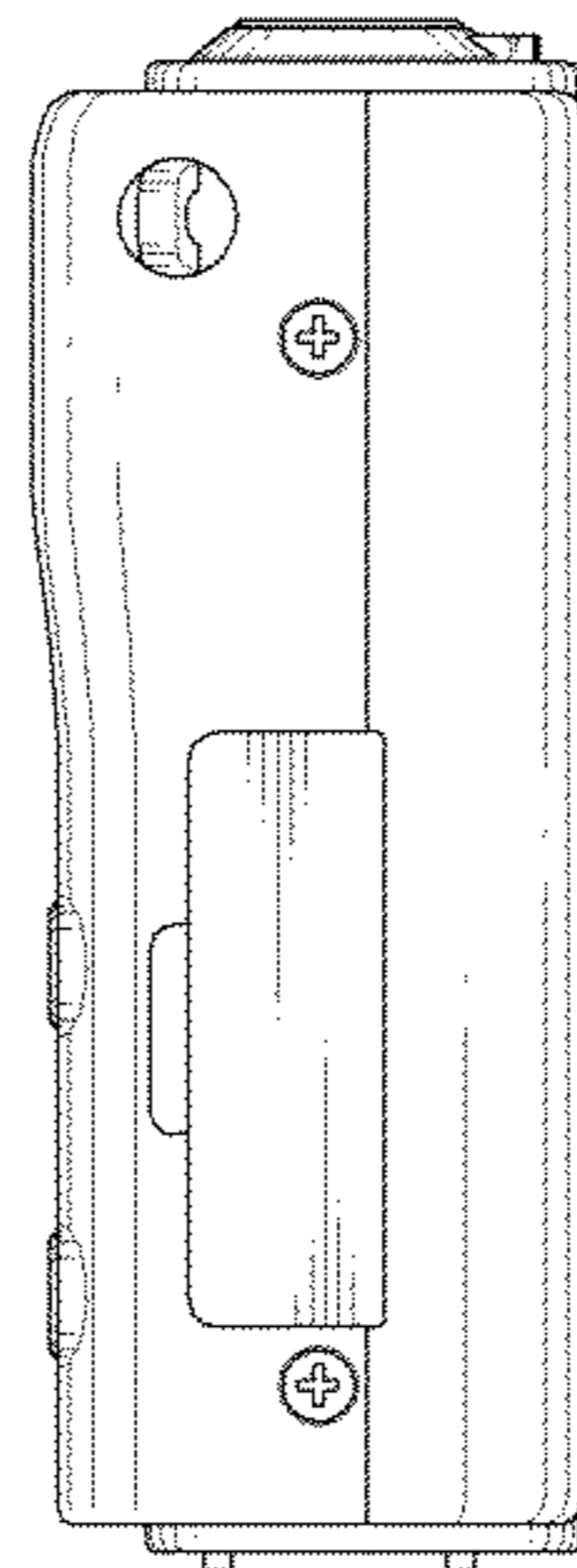


FIG. 5

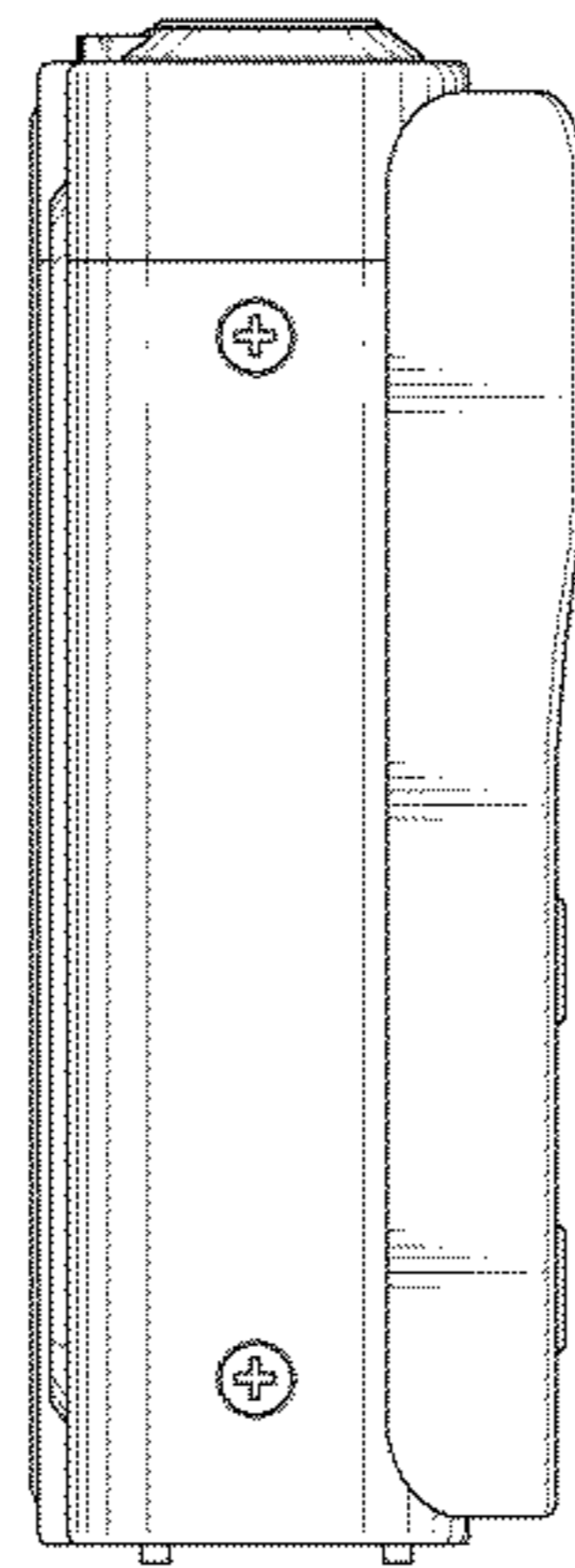


FIG. 6

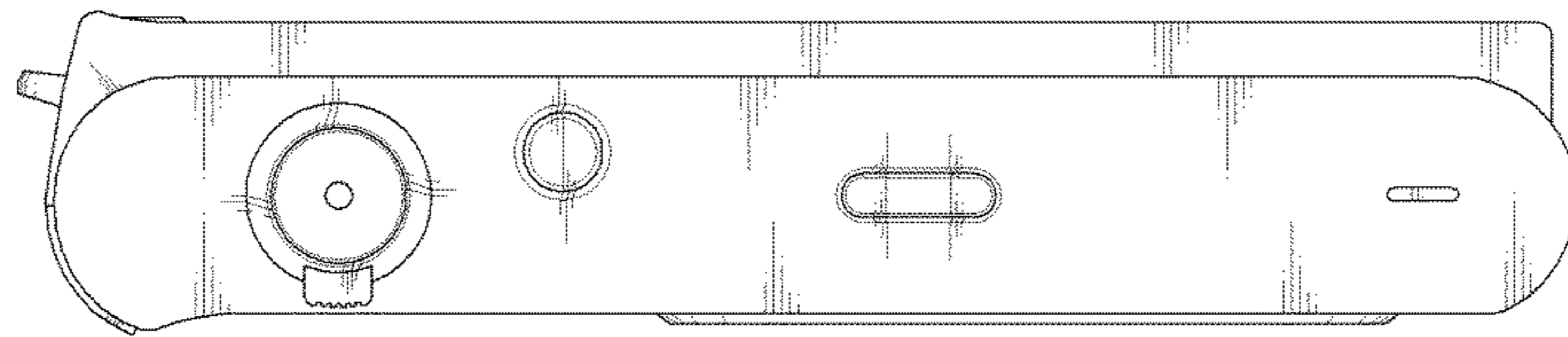


FIG. 7

