



US00D696326S

(12) **United States Design Patent**
Sato

(10) **Patent No.:** **US D696,326 S**
(45) **Date of Patent:** **** Dec. 24, 2013**

(54) **ELECTRONIC CAMERA**

(75) Inventor: **Jun Sato**, Minato-ku (JP)

(73) Assignee: **FUJIFILM Corporation**, Tokyo (JP)

(**) Term: **14 Years**

(21) Appl. No.: **29/423,390**

(22) Filed: **May 31, 2012**

(30) **Foreign Application Priority Data**

Dec. 22, 2011 (JP) 2011-029857

(51) **LOC (9) Cl.** **12-16**

(52) **U.S. Cl.**
USPC **D16/200**

(58) **Field of Classification Search**
USPC D16/200, 202, 204, 218; 348/373, 374,
348/375, 376; 358/909.1; 396/535-541
See application file for complete search history.

(56) **References Cited**

U.S. PATENT DOCUMENTS

D556,229 S *	11/2007	Bai	D16/202
D596,214 S *	7/2009	Kim et al.	D16/202
D631,496 S *	1/2011	Tainaka	D16/202
D639,326 S *	6/2011	Baba et al.	D16/202
D640,720 S *	6/2011	Yoshii et al.	D16/202
D641,032 S *	7/2011	Yoshii	D16/202
D646,314 S *	10/2011	Nohara	D16/202

D648,363 S *	11/2011	Takagi et al.	D16/219
D652,067 S *	1/2012	Katsuraku et al.	D16/243
D665,003 S *	8/2012	Sakai	D16/202
D676,475 S *	2/2013	Tainaka	D16/200
2009/0295940 A1 *	12/2009	Shibuno	348/226.1
2012/0200765 A1 *	8/2012	Honjo et al.	348/349

* cited by examiner

Primary Examiner — Philip S Hyder

Assistant Examiner — Darlington Ly

(74) *Attorney, Agent, or Firm* — Sughrue Mion, PLLC

(57) **CLAIM**

The ornamental design for a electronic camera, as shown and described.

DESCRIPTION

FIG. 1 is a top, front and side perspective view of an electronic camera showing my new design;
FIG. 2 is a front elevational view thereof;
FIG. 3 is a rear elevational view thereof;
FIG. 4 is a top plan view thereof;
FIG. 5 is a bottom plan view thereof;
FIG. 6 is a left side elevational view thereof; and
FIG. 7 is a right side elevational view thereof; and,
FIG. 8 is a top, rear and side perspective view thereof.
The broken lines shown in the drawings illustrate portions of the digital camera that forms no part of claimed design.

1 Claim, 6 Drawing Sheets

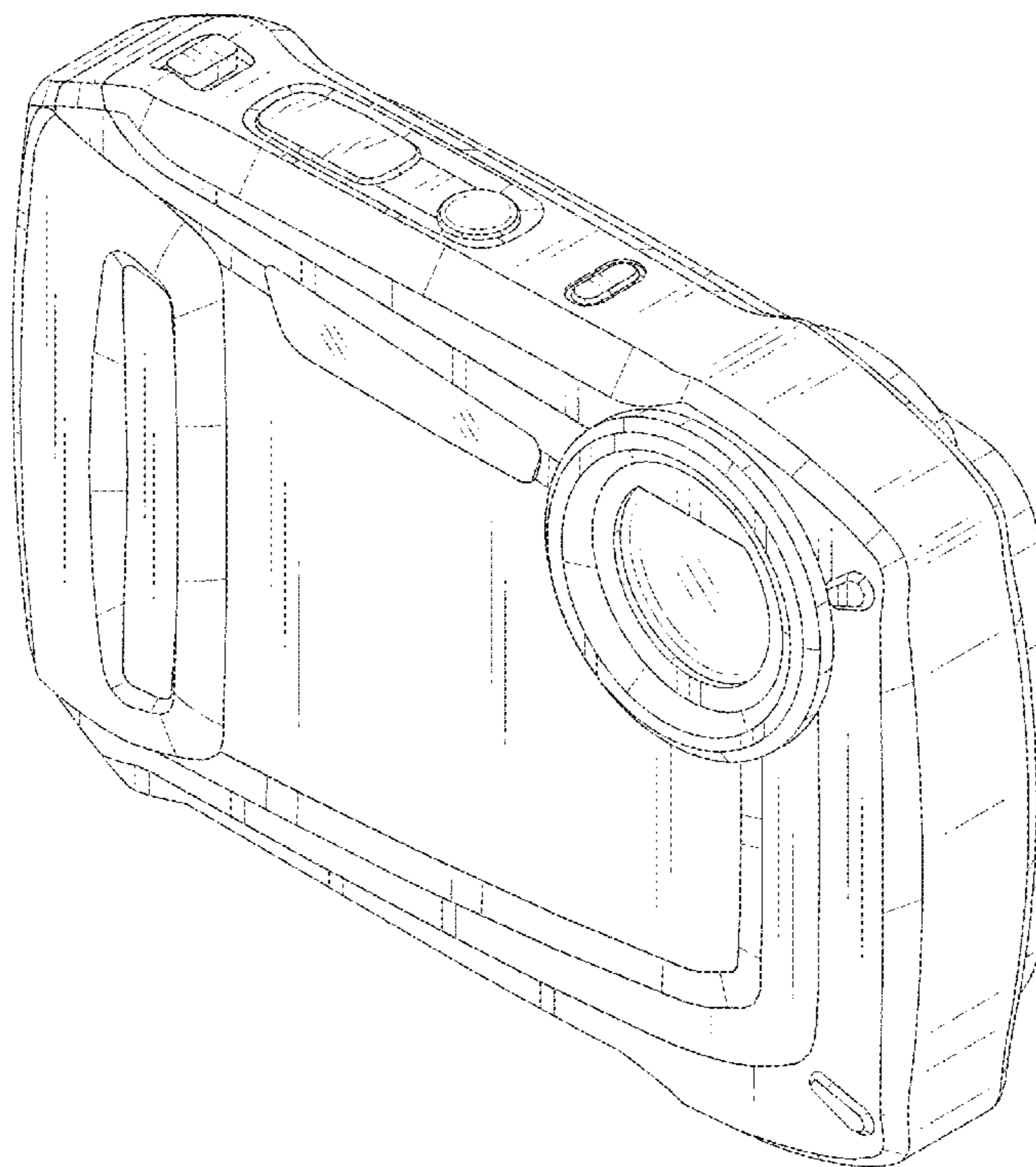


FIG. 1

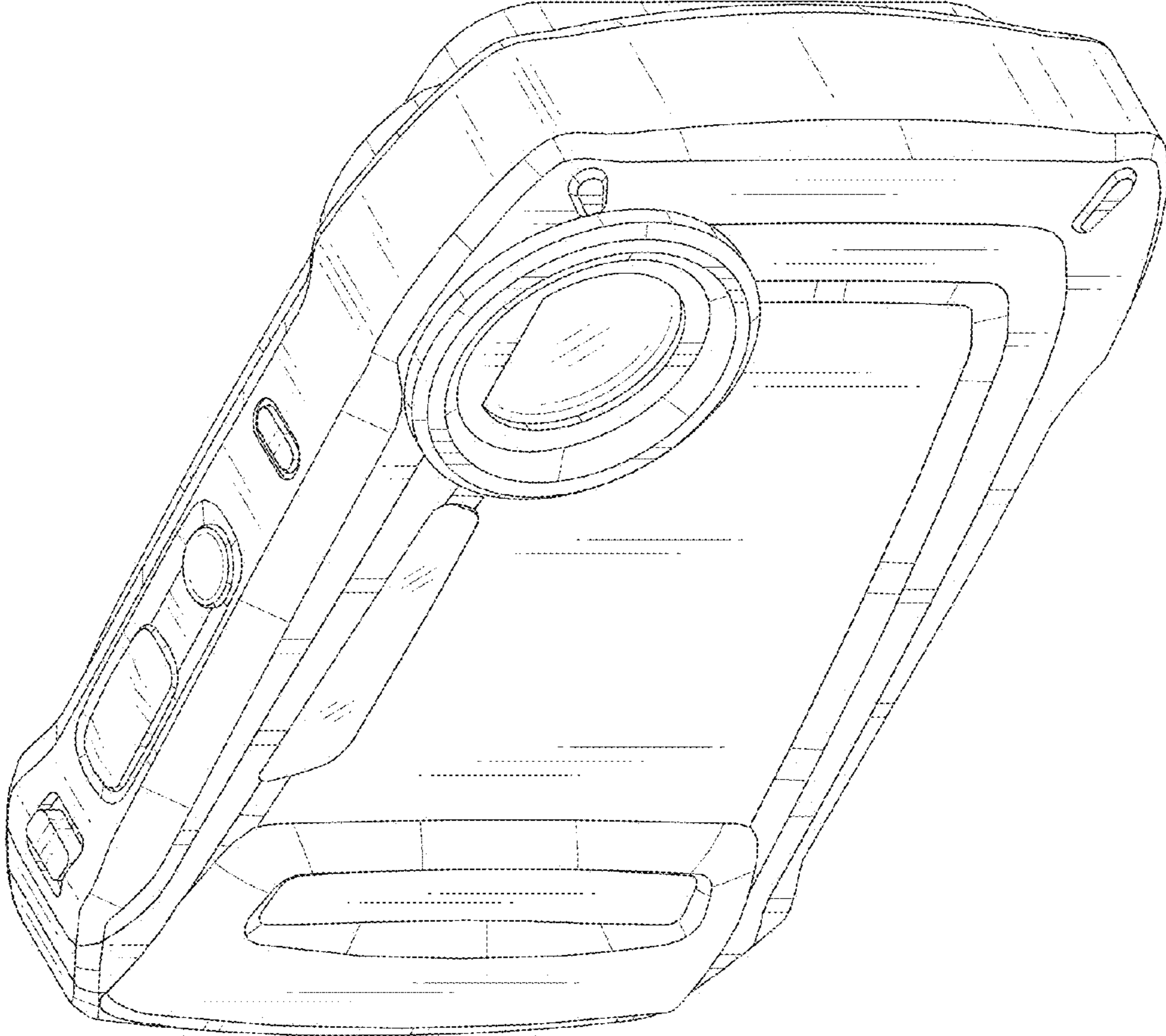


FIG.2

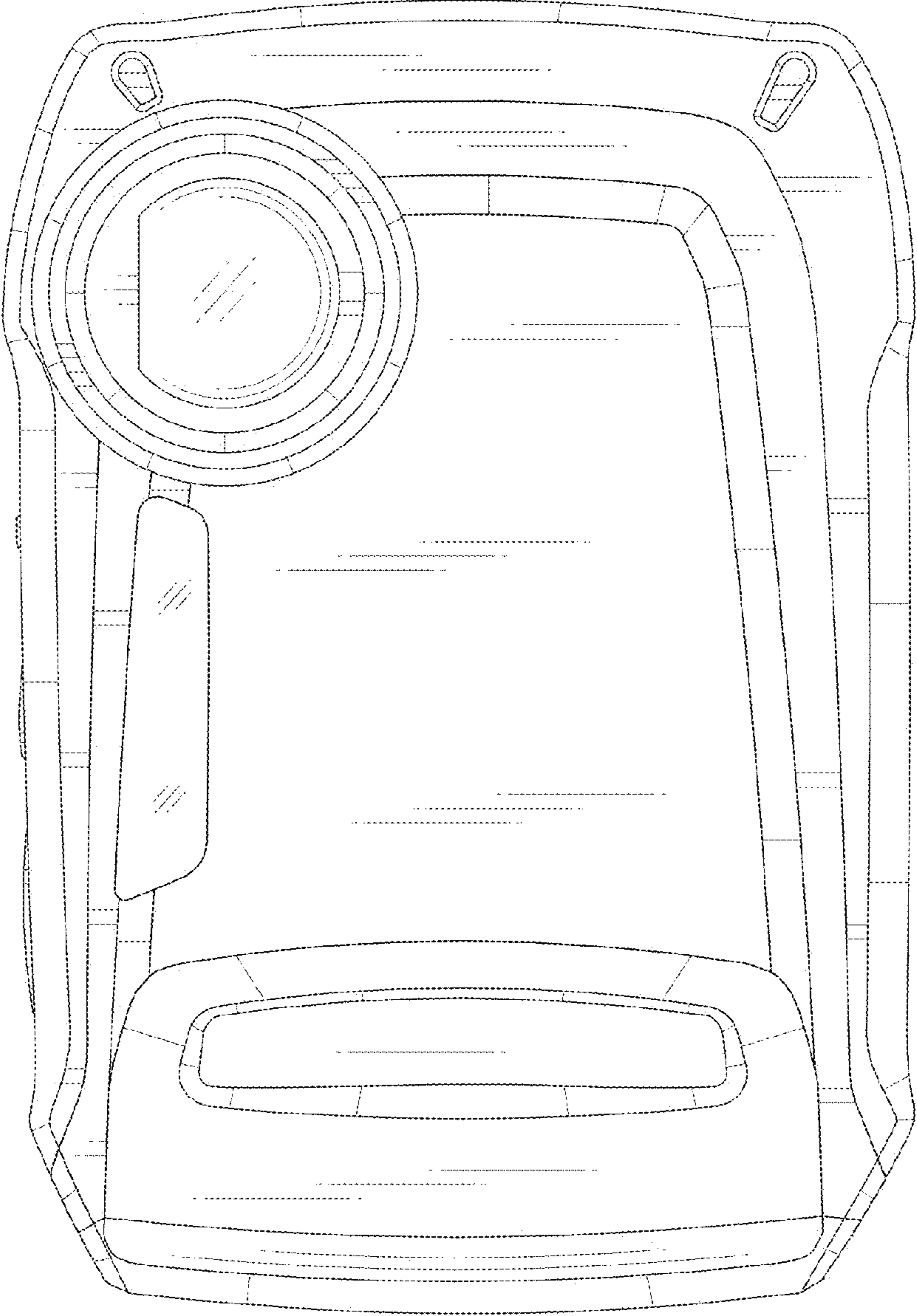


FIG.3

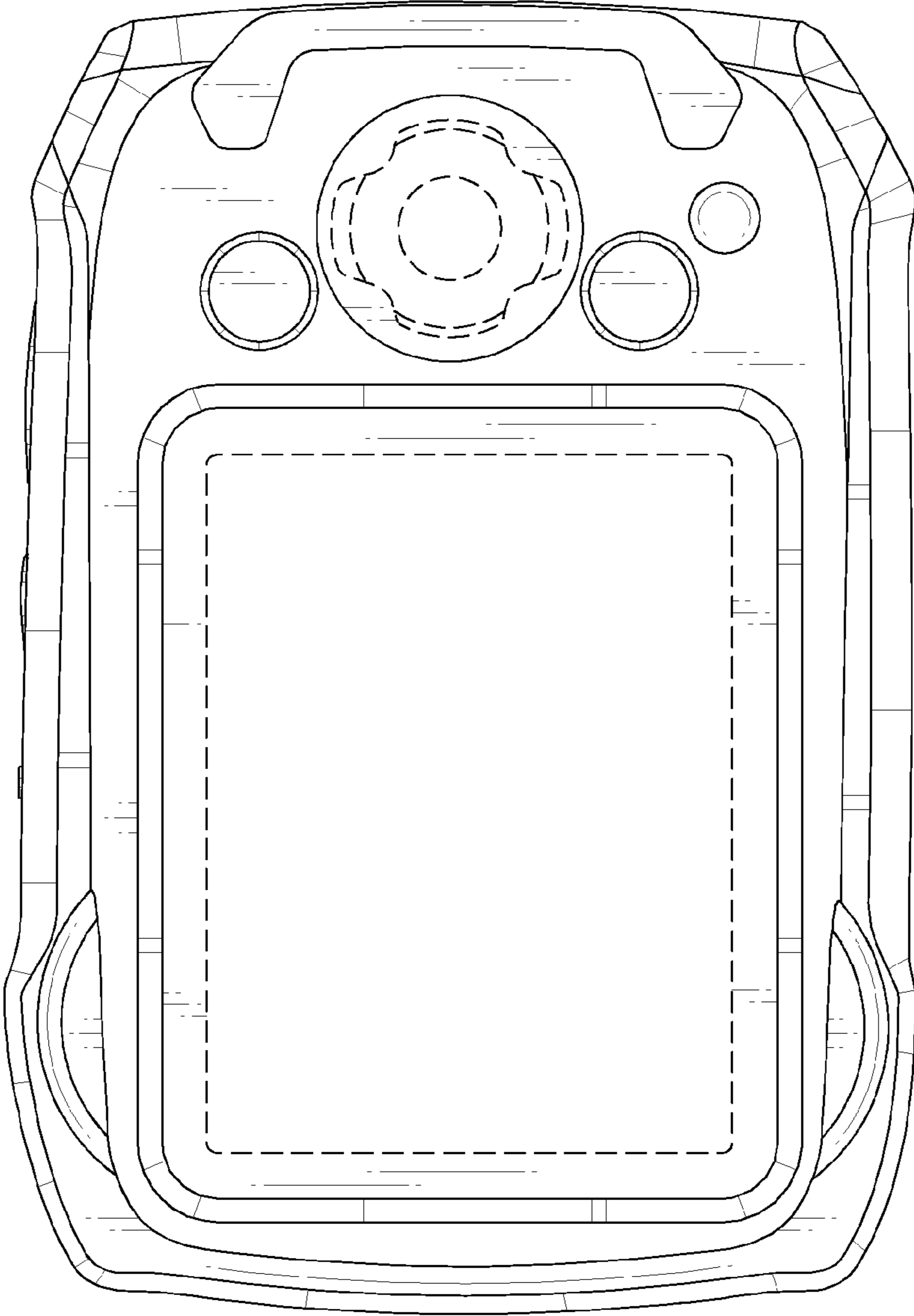


FIG.4

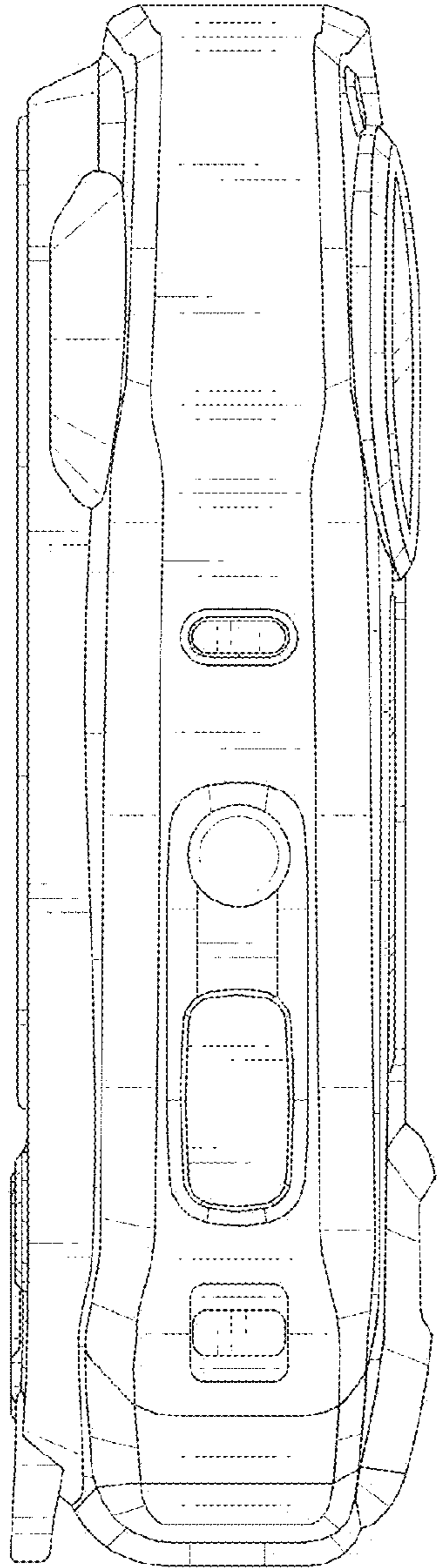


FIG.5

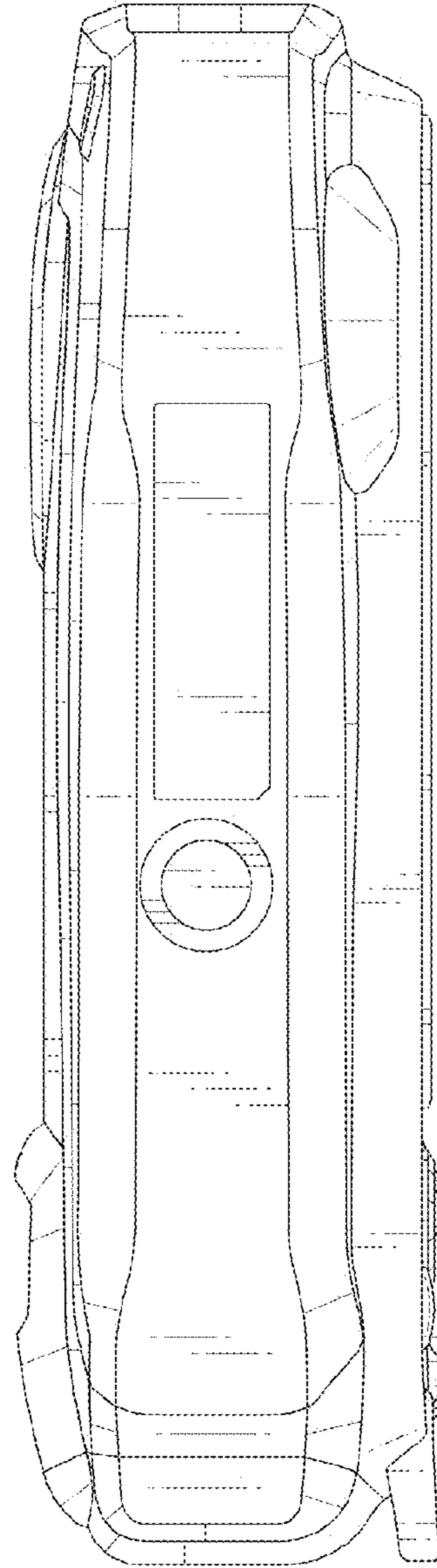


FIG.7

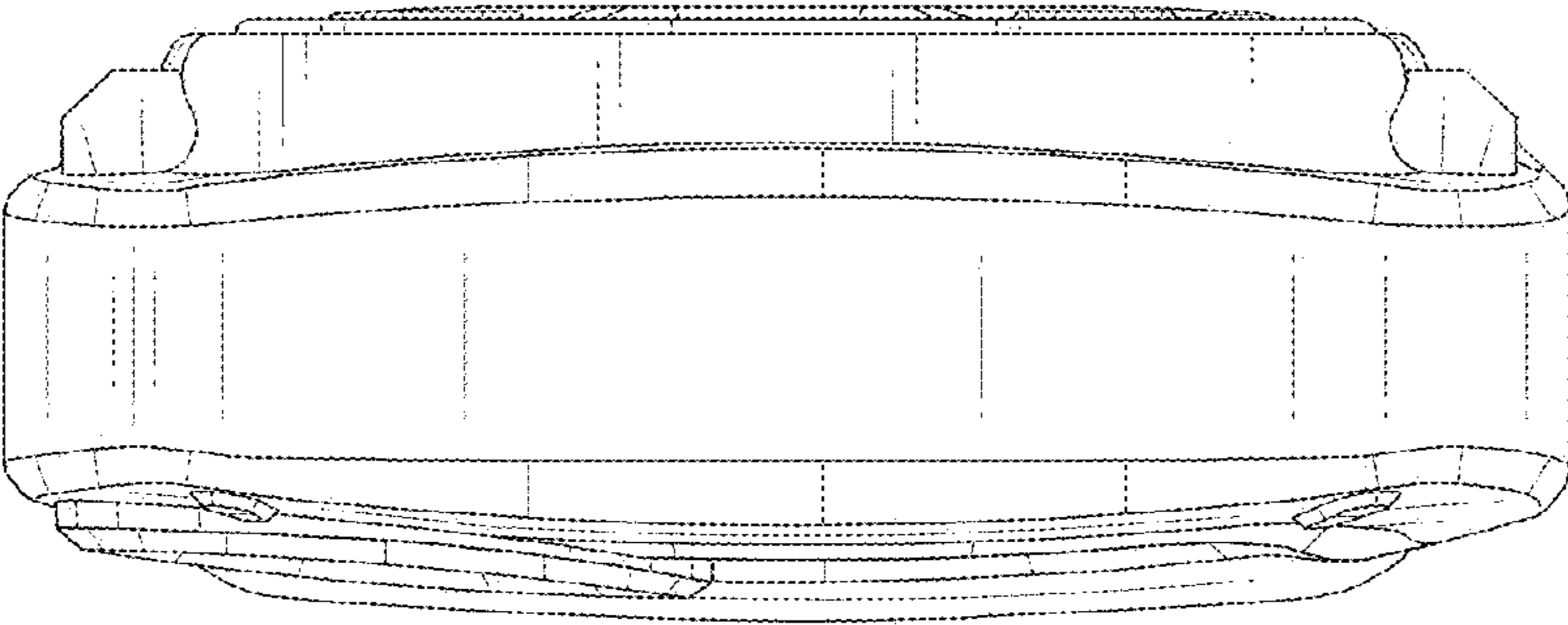


FIG.6

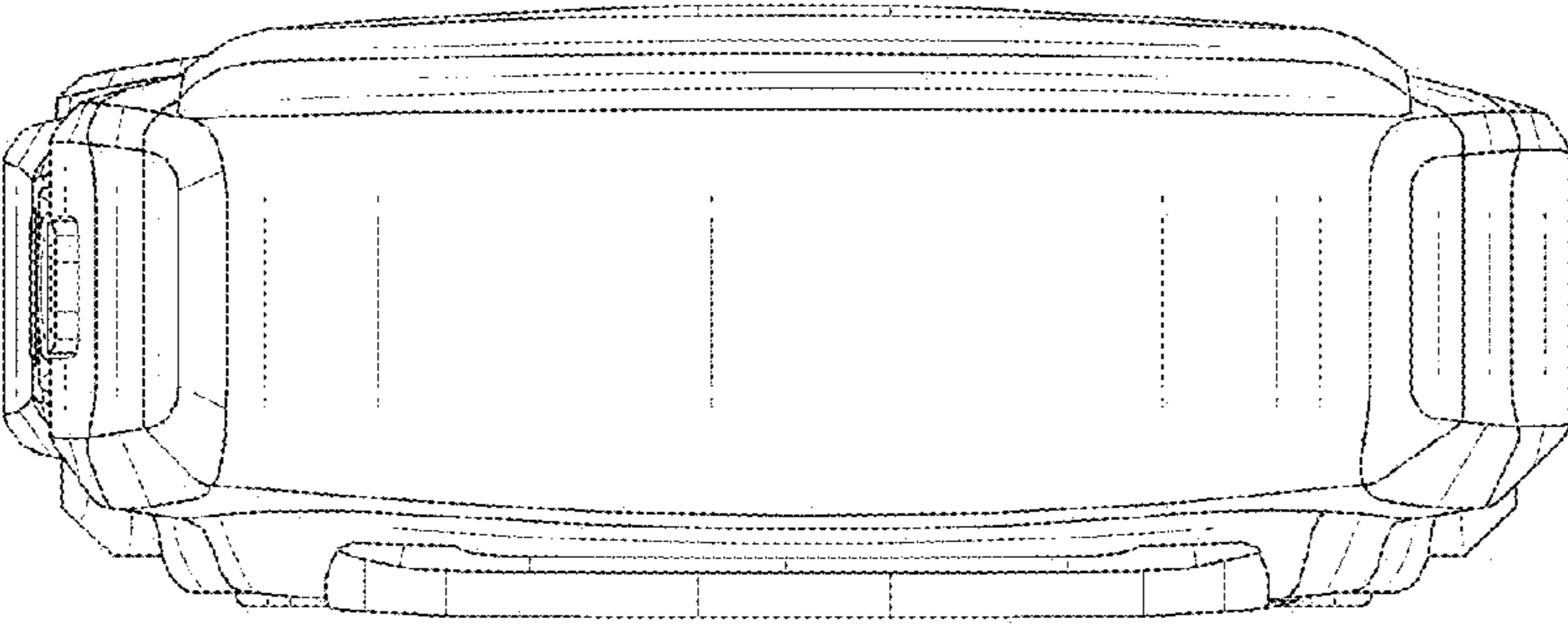


FIG. 8

