



US00D696325S

(12) **United States Design Patent**
Dekar

(10) **Patent No.:** **US D696,325 S**

(45) **Date of Patent:** **** Dec. 24, 2013**

(54) **FEED ARM FOR A SELF-FEEDING DEVICE FOR AN INDIVIDUAL**

(71) Applicant: **Jonathan P Dekar**, Bloomfield Hills, MI (US)

(72) Inventor: **Jonathan P Dekar**, Bloomfield Hills, MI (US)

(**) Term: **14 Years**

(21) Appl. No.: **29/452,193**

(22) Filed: **Apr. 12, 2013**

Related U.S. Application Data

(63) Continuation-in-part of application No. 13/834,245, filed on Mar. 15, 2013, which is a continuation-in-part of application No. 13/529,536, filed on Jun. 21, 2012, now Pat. No. 8,442,669.

(51) **LOC (9) Cl.** **15-99**

(52) **U.S. Cl.**
USPC **D15/199**

(58) **Field of Classification Search**
USPC D15/199; 8/28; 340/825.16; 414/1-2, 4, 414/7, 9, 706, 744.4; 604/57; 606/130; 623/65; 700/213, 214, 231; 901/16, 41
See application file for complete search history.

(56) **References Cited**

U.S. PATENT DOCUMENTS

3,885,681 A * 5/1975 Mancino 414/9
4,398,857 A * 8/1983 Layman, Sr. 414/9

4,433,950 A * 2/1984 Hanger et al. 414/9
4,522,543 A * 6/1985 Robinson 414/9
4,624,613 A * 11/1986 Taniguchi et al. 414/9
5,008,832 A * 4/1991 Torii et al. 700/254
5,282,711 A * 2/1994 Frische 414/9
8,240,967 B2 * 8/2012 Guglielmelli et al. 414/9
8,442,669 B2 * 5/2013 Dekar 700/213
2009/0104004 A1 * 4/2009 Guglielmelli et al. 414/9

* cited by examiner

Primary Examiner — Patricia Palasik

(74) *Attorney, Agent, or Firm* — Burgess Law Office, PLLC

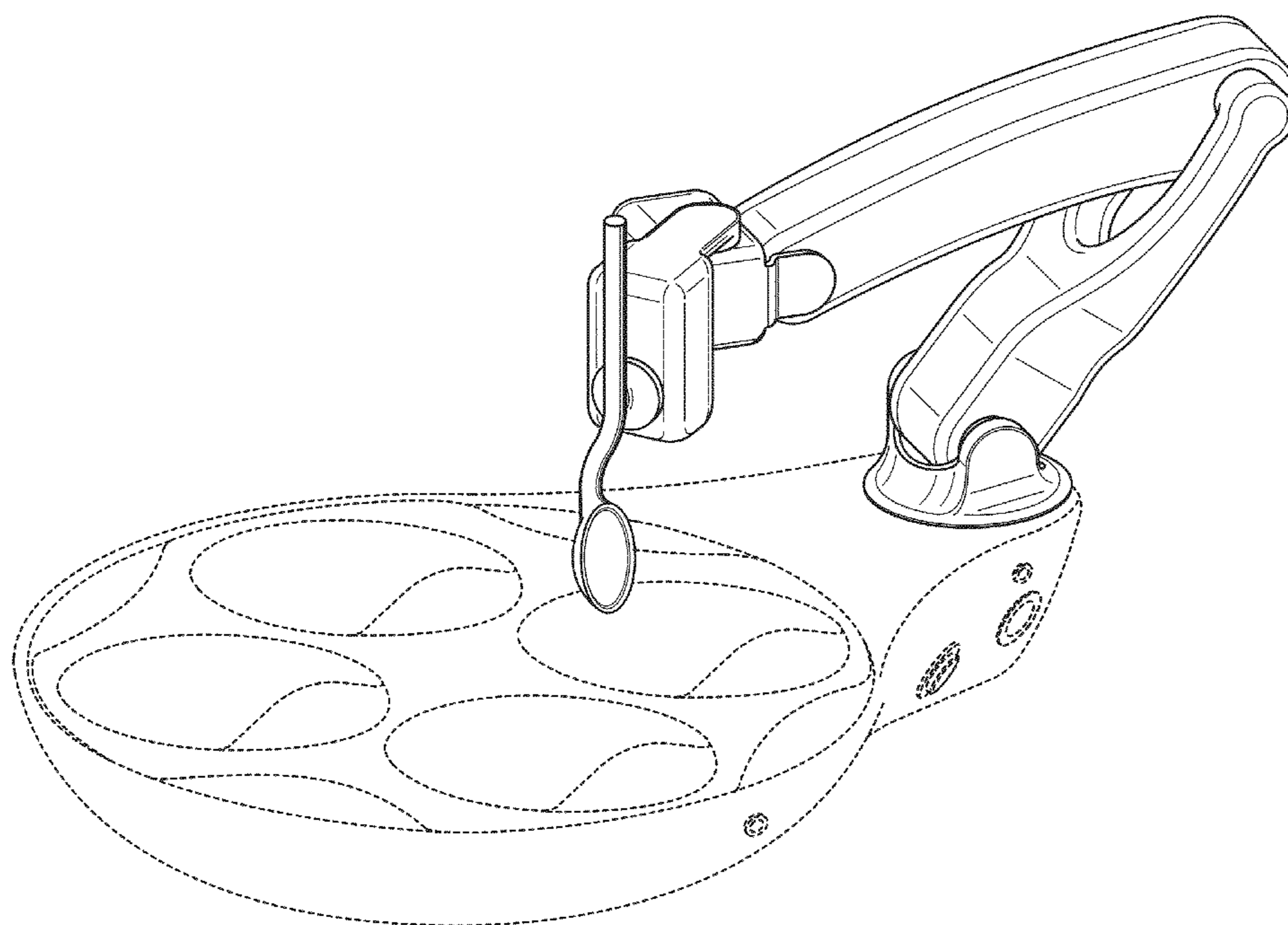
(57) **CLAIM**

The ornamental design for a feed arm for a self-feeding device for an individual, as shown and described.

DESCRIPTION

FIG. 1 is a perspective view view of my design for a feed arm for a self-feeding device for an individual;
FIG. 2 is a front view of the design for a feed arm for a self-feeding device for an individual shown in FIG. 1;
FIG. 3 is a rear view of the design for a feed arm for a self-feeding device for an individual shown in FIG. 1;
FIG. 4 is a right side view of the design for a feed arm for a self-feeding device for an individual shown in FIG. 1;
FIG. 5 is a left side of the design for a feed arm for a self-feeding device for an individual shown in FIG. 1;
FIG. 6 is a bottom view of the design for a feed arm for a self-feeding device for an individual shown in FIG. 1; and,
FIG. 7 is a top view of the design for a feed arm for a self-feeding device for an individual shown in FIG. 1.
The broken lines are included for illustrative purposes only and form no part of the claimed design.

1 Claim, 7 Drawing Sheets



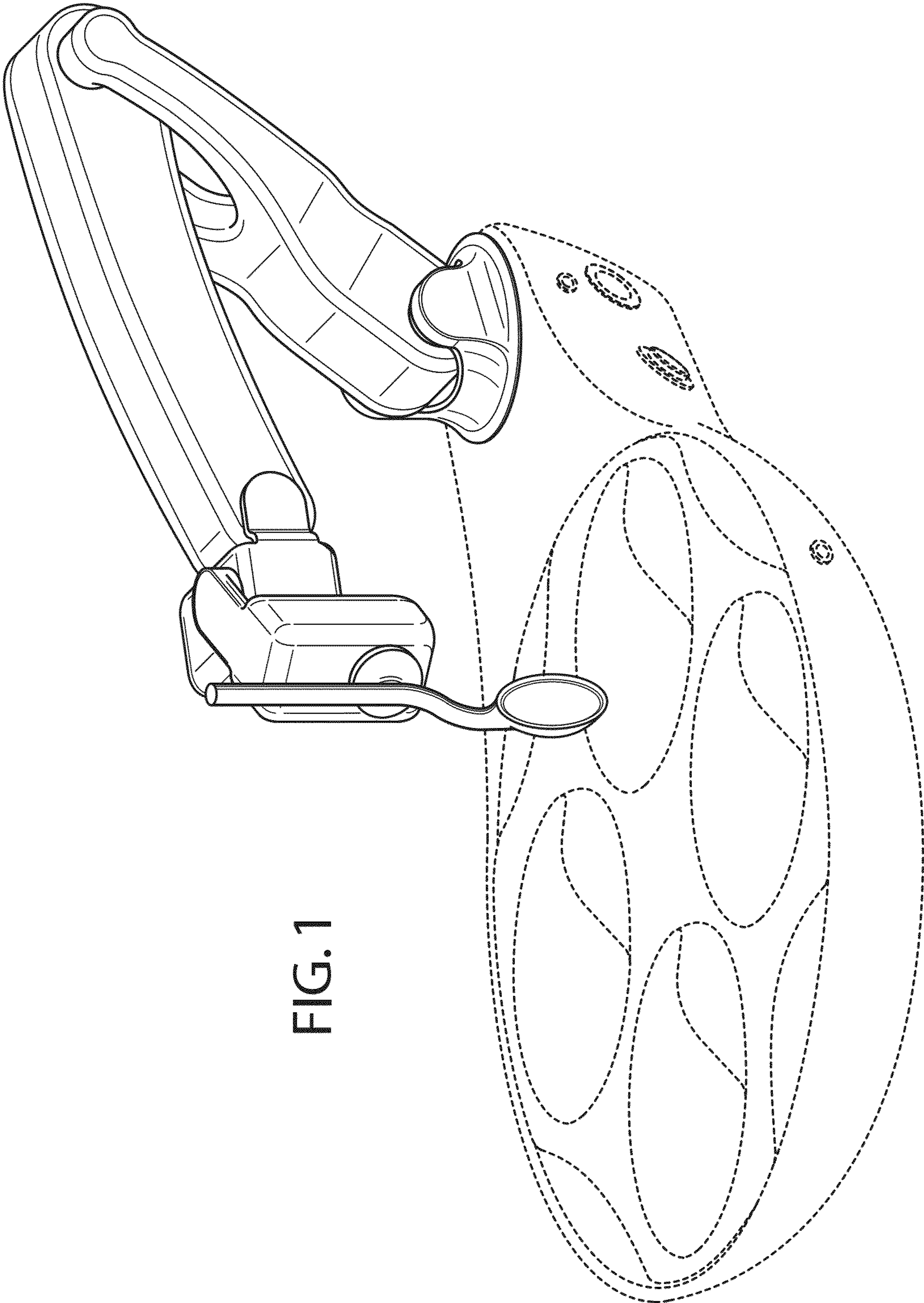


FIG. 1

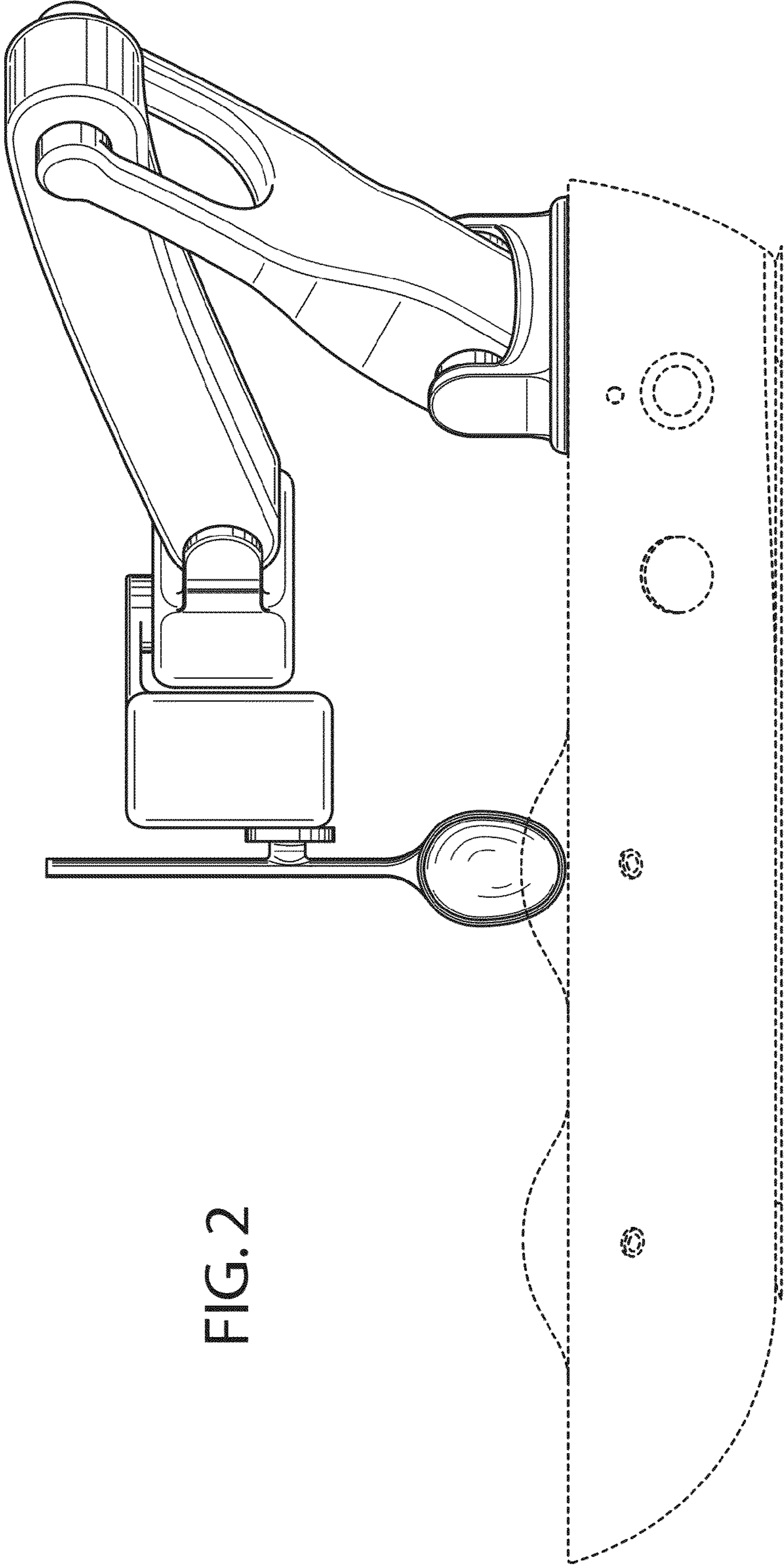


FIG. 2

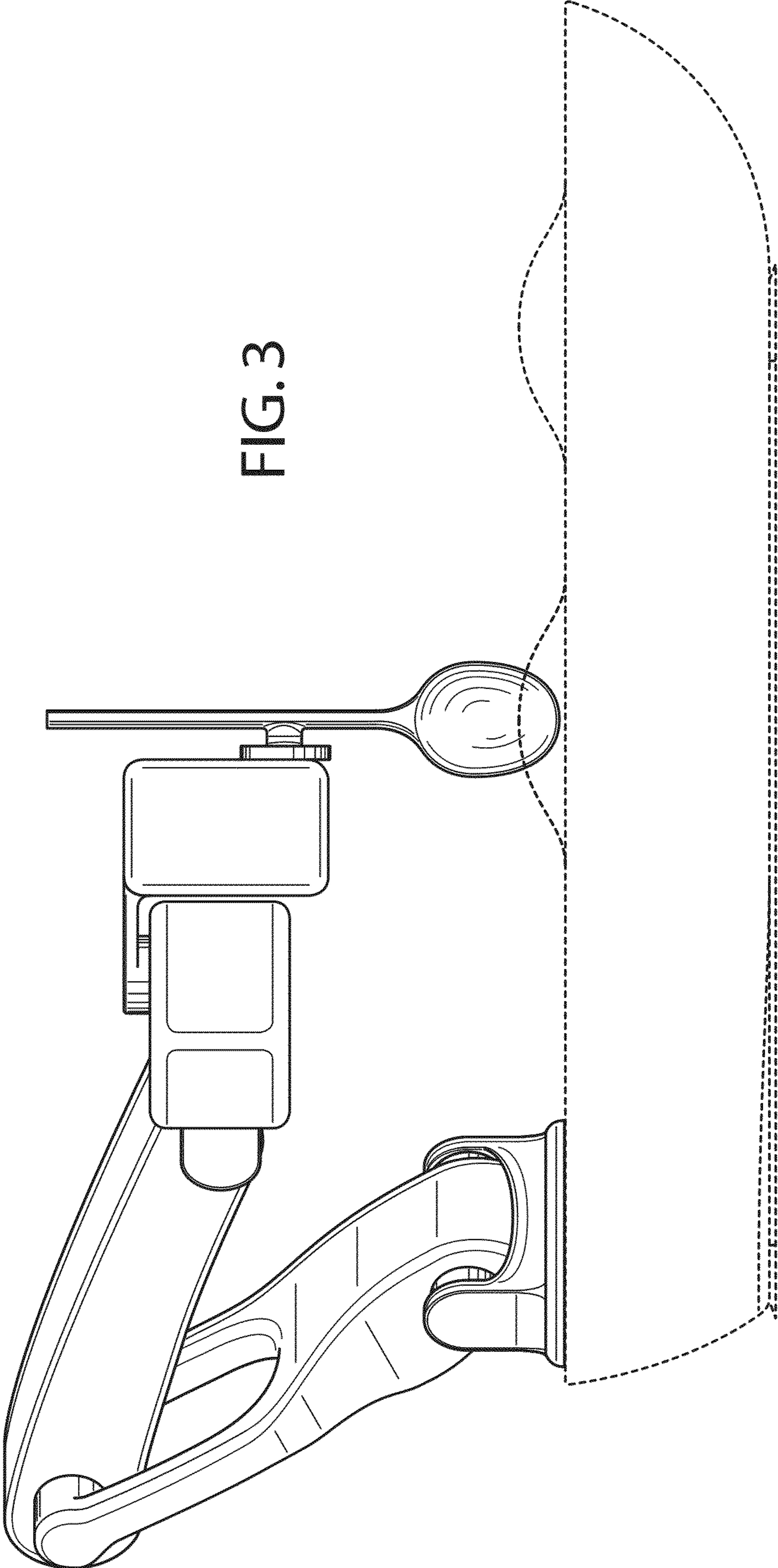
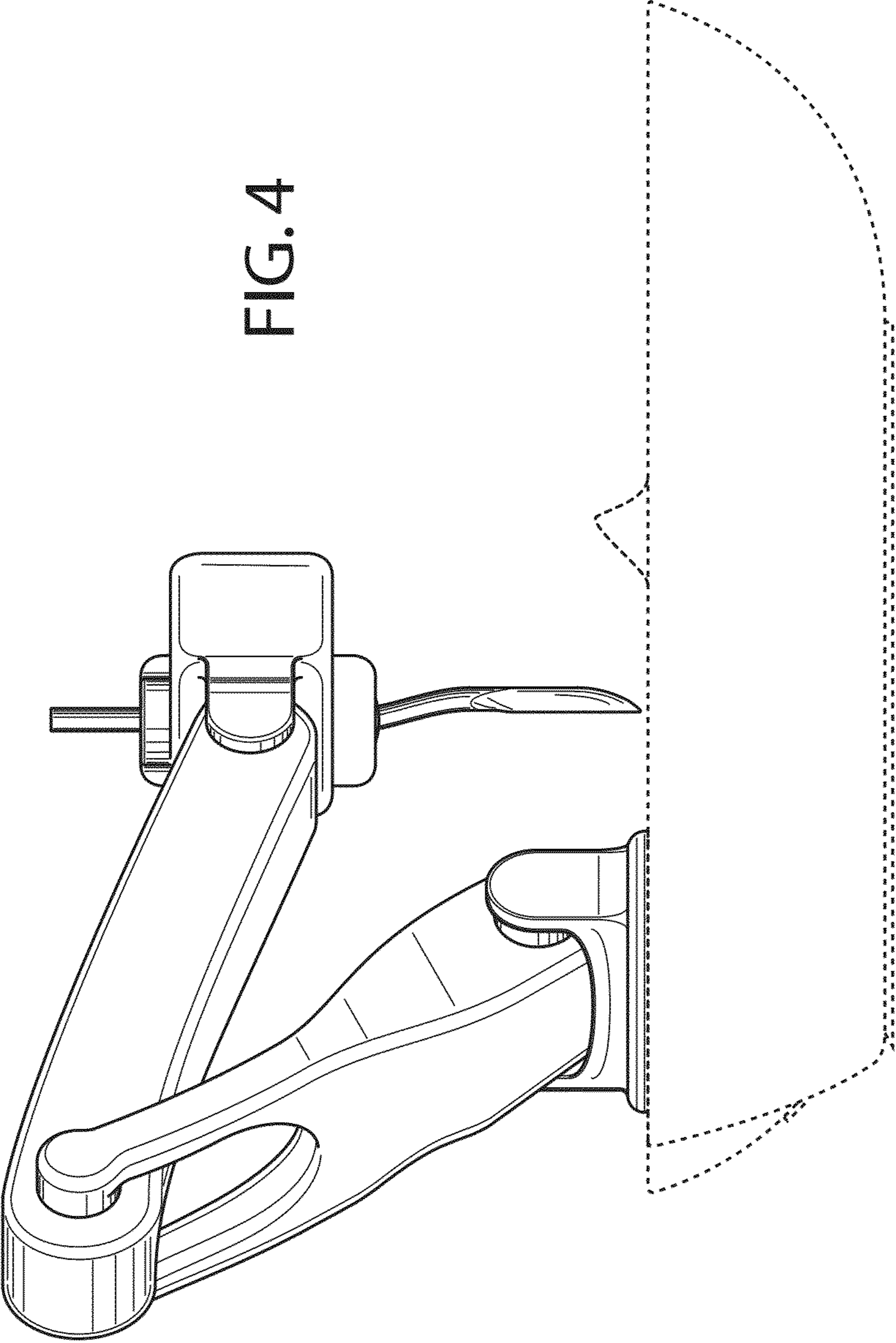


FIG. 3

FIG. 4



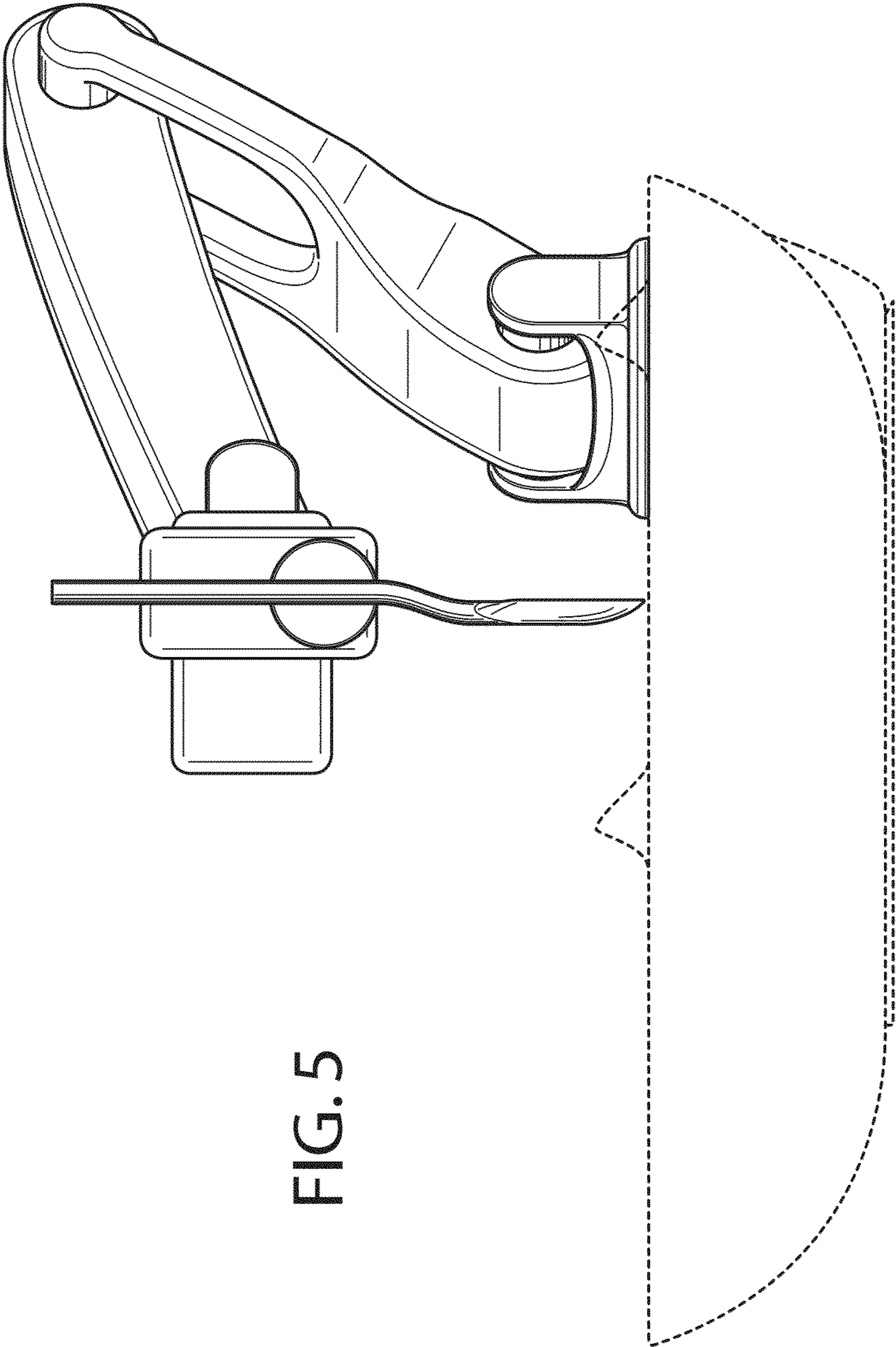


FIG. 5

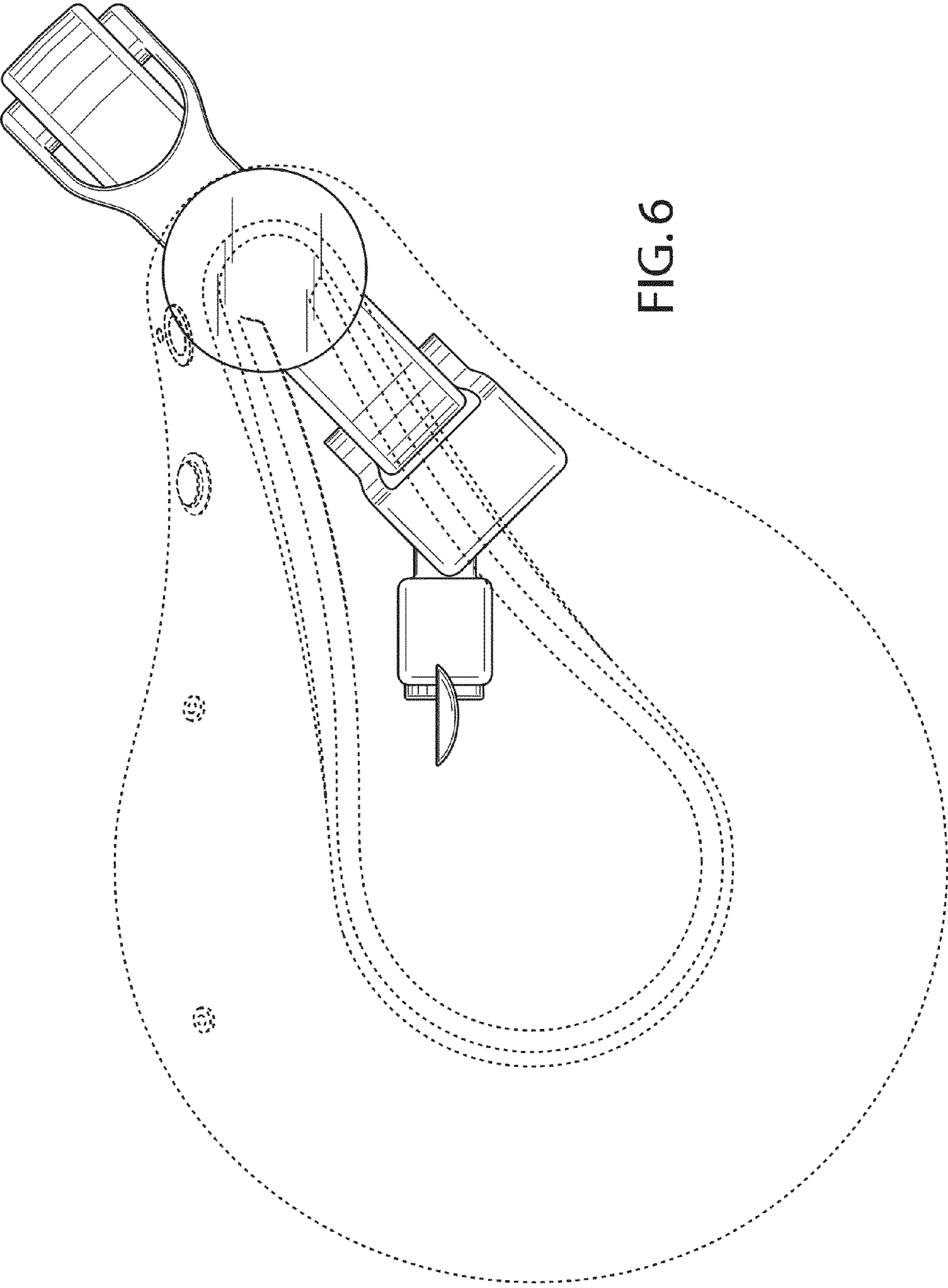


FIG. 6

FIG. 7

