



US00D696323S

(12) **United States Design Patent**
Hannen

(10) **Patent No.:** **US D696,323 S**
(45) **Date of Patent:** **** Dec. 24, 2013**

(54) **APPARATUS FOR PULLING A PLASTIC FILM OVER A PACKAGE**

- (71) Applicant: **Vanessa Hannen**, Hamburg (DE)
- (72) Inventor: **Vanessa Hannen**, Hamburg (DE)
- (73) Assignee: **MSK-Verpackungs-Systeme GmbH**, Kleve (DE)
- (**) Term: **14 Years**
- (21) Appl. No.: **29/455,382**
- (22) Filed: **May 20, 2013**

Related U.S. Application Data

- (63) Continuation-in-part of application No. 29/397,525, filed on Jul. 18, 2011, now abandoned, and a continuation-in-part of application No. 29/362,644, filed on May 28, 2010, now abandoned.

Foreign Application Priority Data

- Nov. 30, 2009 (EM) 001180798-0007
 - Nov. 30, 2009 (EM) 001180798-0008
 - Nov. 30, 2009 (EM) 001180798-0009
 - Nov. 30, 2009 (EM) 001180798-0011
 - (51) **LOC (9) Cl.** **15-99**
 - (52) **U.S. Cl.**
USPC **D15/145**
 - (58) **Field of Classification Search**
USPC D15/145, 146, 199; 53/66, 167, 202,
53/279, 284.5, 370.7, 370.9, 381.1, 386.1,
53/389.4, 426, 563, 565, 567, 585;
493/184
- See application file for complete search history.

(56) **References Cited**

U.S. PATENT DOCUMENTS

D157,020	S	*	1/1950	Zimmermann	D15/146
D197,916	S	*	4/1964	Thompson	D15/145
3,748,812	A	*	7/1973	Burn	53/66
D298,834	S	*	12/1988	Jones	D15/199
D301,890	S	*	6/1989	Silbersky	D15/145
D328,307	S	*	7/1992	Belletire et al.	D15/145
D342,530	S	*	12/1993	Lissoni et al.	D15/145
D372,487	S	*	8/1996	Brewer et al.	D15/145
D493,478	S	*	7/2004	Treadwell et al.	D15/199

* cited by examiner

Primary Examiner — Patricia Palasik

(74) *Attorney, Agent, or Firm* — Andrew Wilford

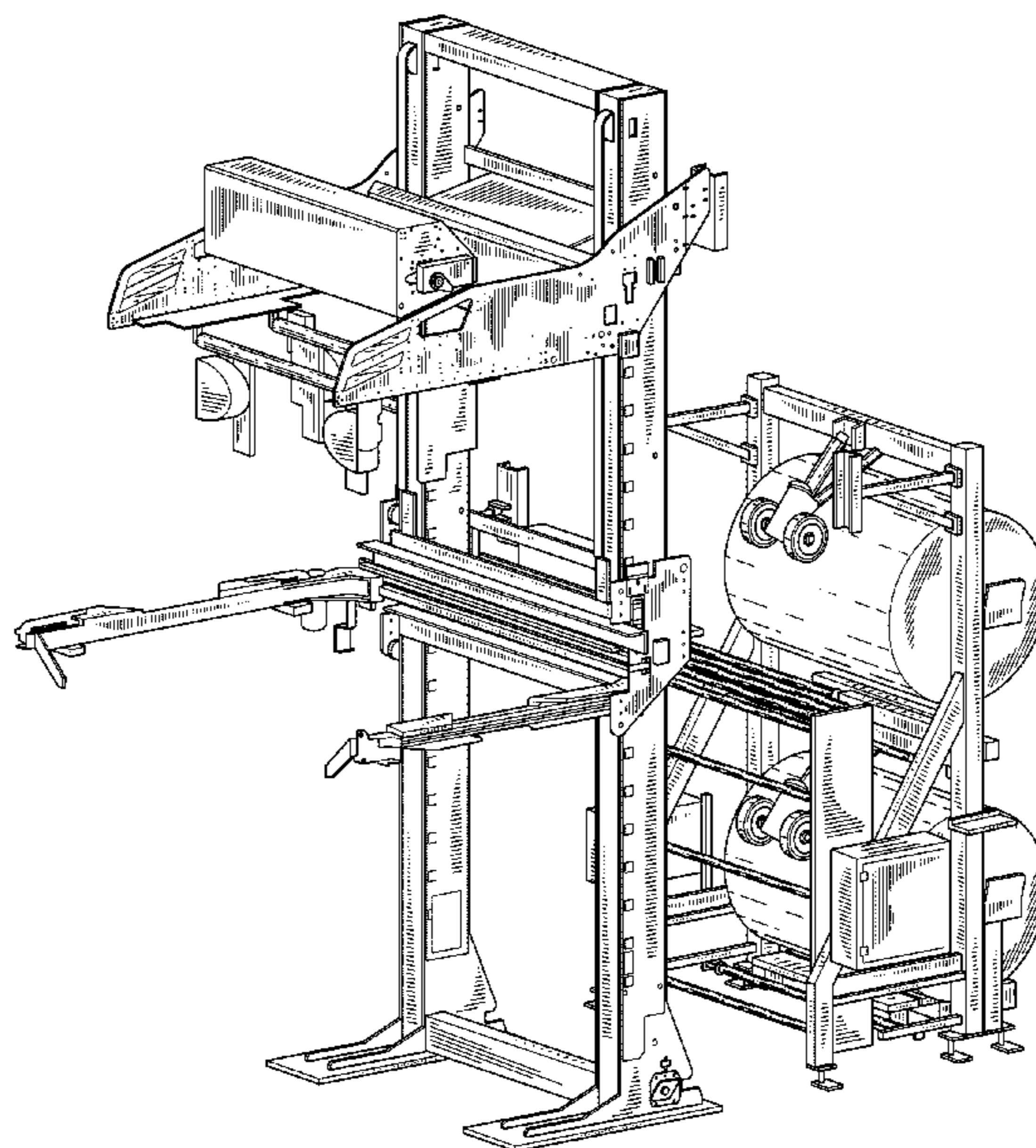
(57) **CLAIM**

The ornamental design for an apparatus for pulling a plastic film over a package, as shown and described.

DESCRIPTION

FIG. 1 is a perspective view of a first embodiment of the invention;
 FIG. 2 is a side elevational view of the first embodiment of the invention;
 FIG. 3 is a perspective view of a second embodiment of the invention;
 FIG. 4 is a side elevational view of the second embodiment of the invention; and,
 FIG. 5 is a detail view of a part used in common in both embodiments of the invention.

1 Claim, 5 Drawing Sheets



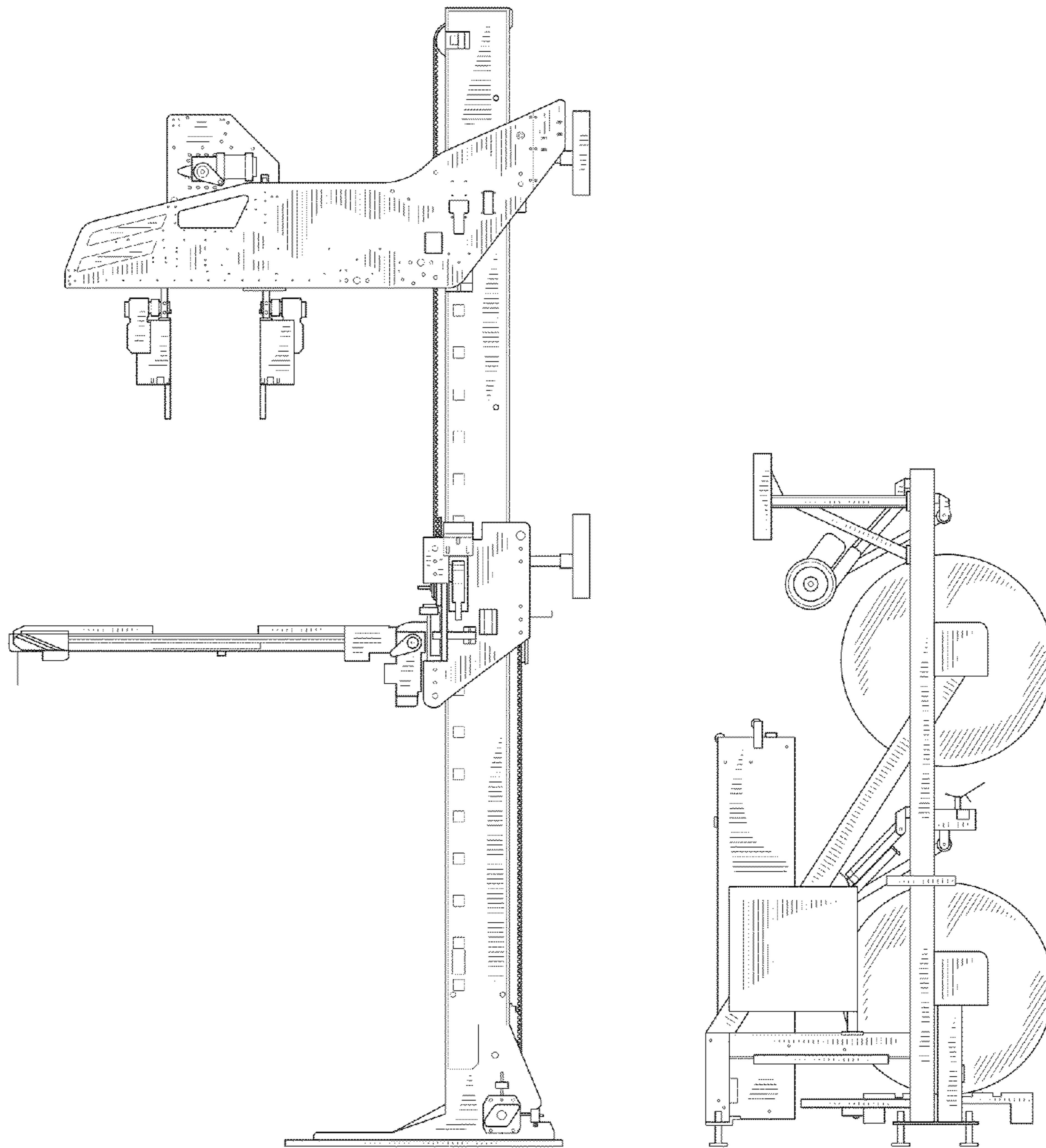


FIG. 1

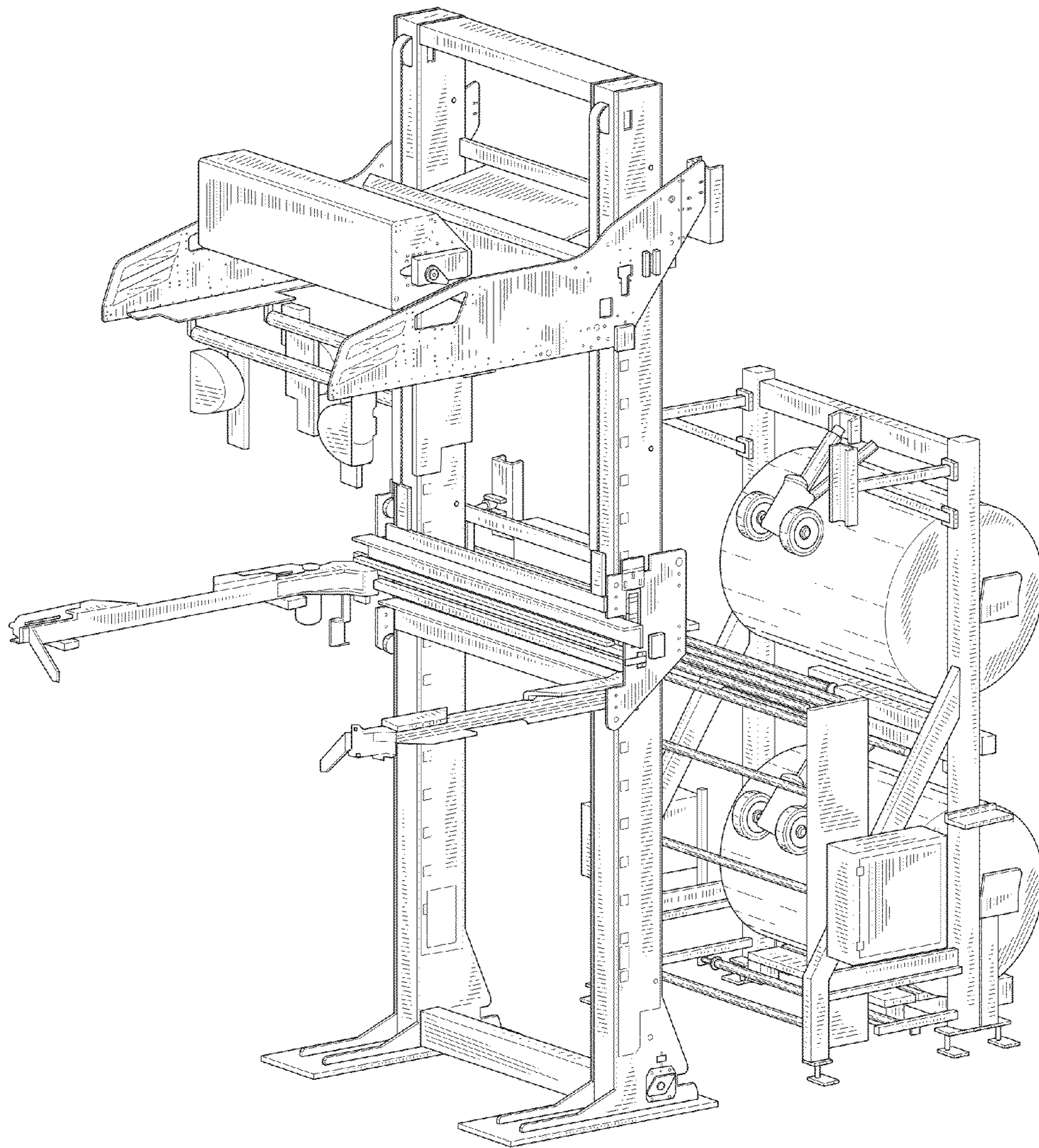


FIG. 2

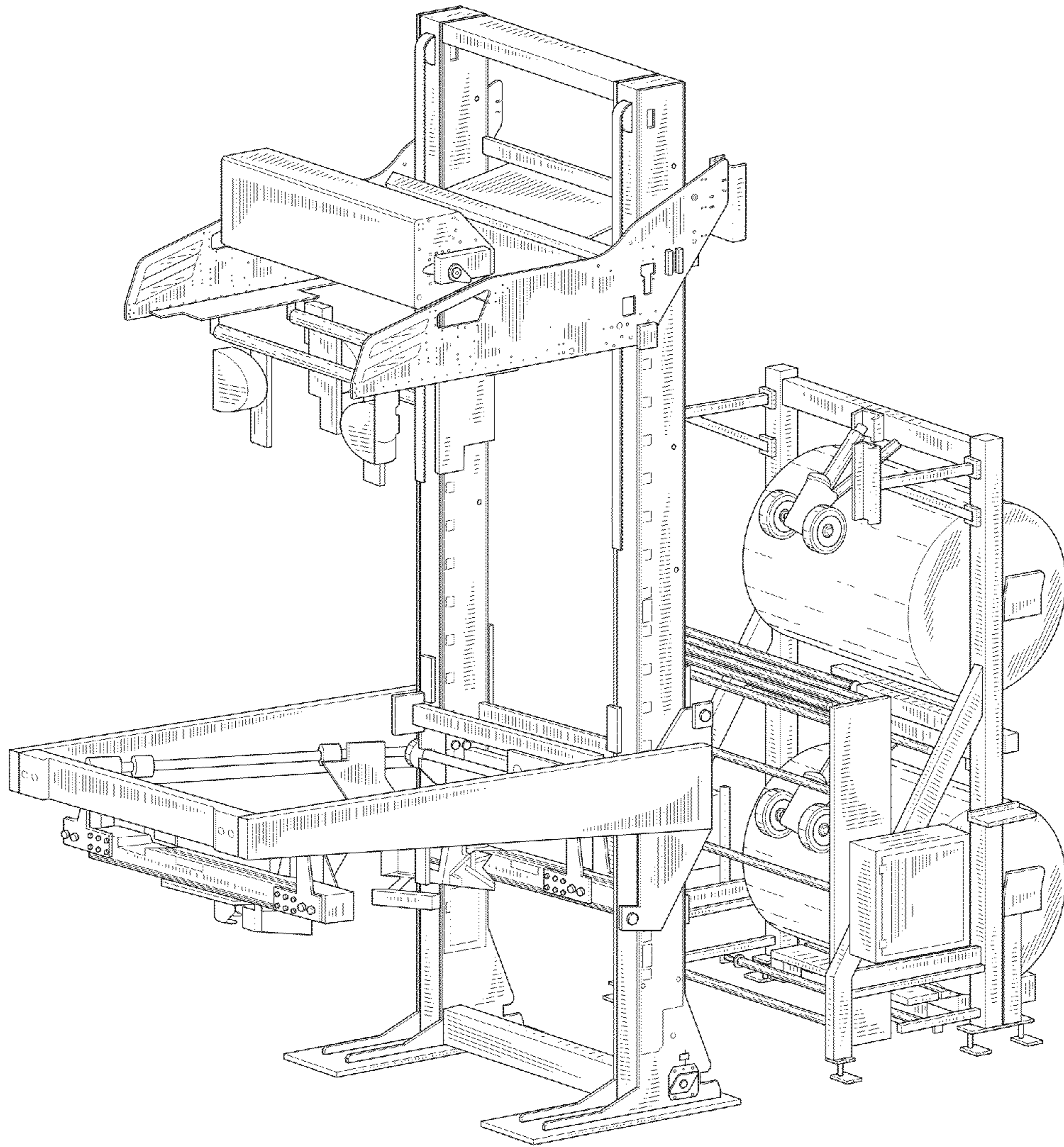


FIG. 3

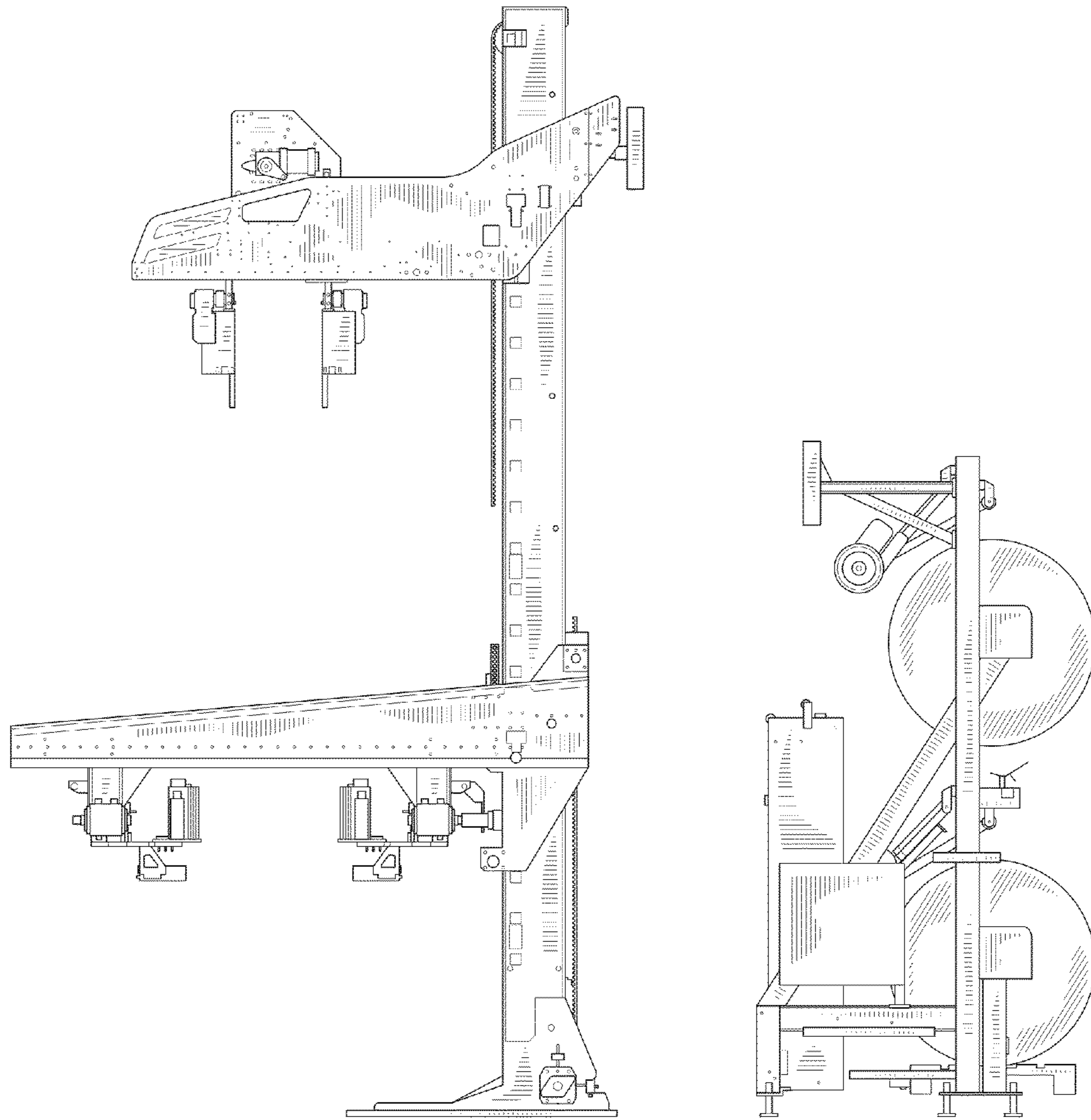


FIG. 4

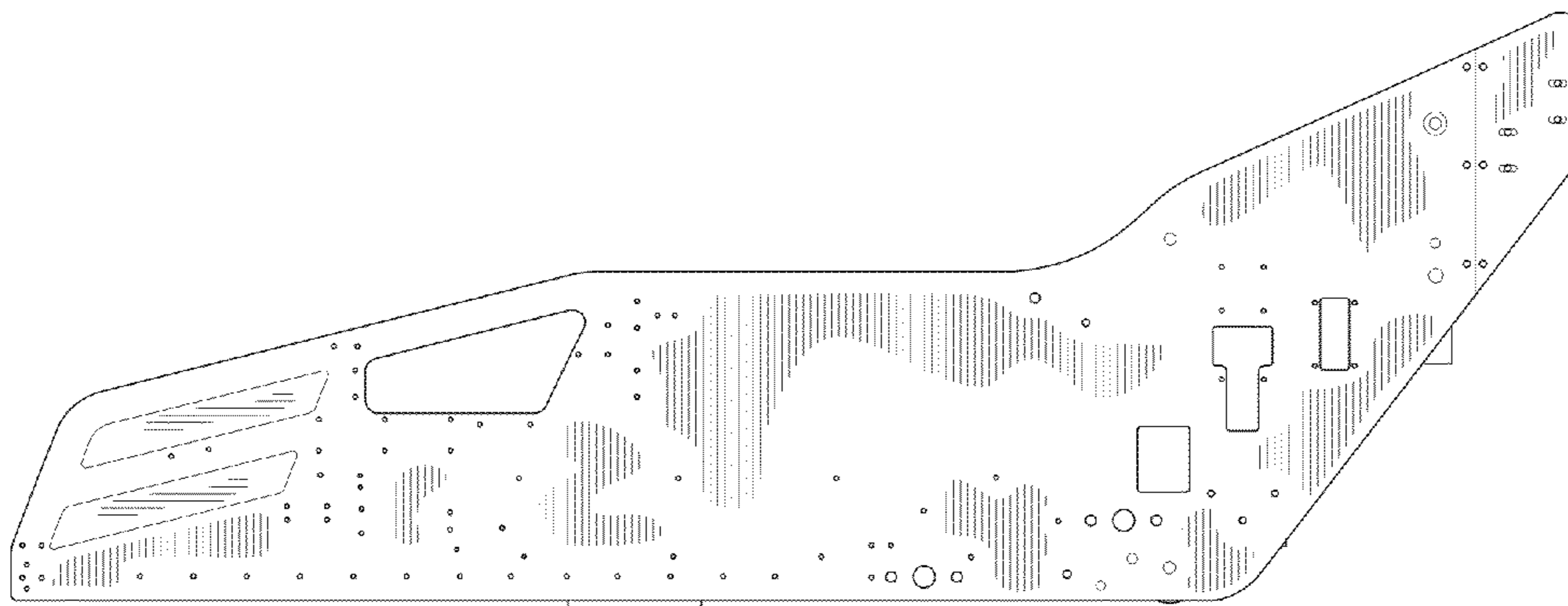


FIG. 5