

US00D696322S

(12) **United States Design Patent**
Ross et al.

(10) **Patent No.:** **US D696,322 S**

(45) **Date of Patent:** **** Dec. 24, 2013**

(54) **ADHESIVE MELTER**

(56)

References Cited

(71) Applicant: **Graco Minnesota Inc.**, Minneapolis, MN (US)

U.S. PATENT DOCUMENTS

(72) Inventors: **Daniel P. Ross**, Maplewood, MN (US);
Joseph E. Tix, Hasting, MN (US);
Nicholas K. Studt, Hudson, WI (US);
Matthew R. Theisen, Woodbury, MN (US);
Andrew M. Spiess, Forest Lake, MN (US);
Bryce J. Gapinski, Foley, MN (US);
James A. Lingenfelter, Bloomington, MN (US)

3,792,801	A	*	2/1974	Baker et al.	222/146.5
D276,617	S	*	12/1984	Scholl et al.	D15/144
D360,422	S	*	7/1995	Frates et al.	D15/144
D388,800	S	*	1/1998	Zook et al.	D15/144
D425,530	S	*	5/2000	Lafitte	D15/144
D488,177	S	*	4/2004	Dittmann et al.	D15/144
D500,063	S	*	12/2004	Jeter et al.	D15/144
D552,641	S	*	10/2007	Razquin Murgui	D15/144
D556,798	S	*	12/2007	Franco	D15/144
D562,368	S	*	2/2008	Byerly et al.	D15/144
D611,515	S	*	3/2010	Chastine et al.	D15/144
D687,474	S	*	8/2013	Bondeson et al.	D15/144.2
2009/0095730	A1	*	4/2009	Ganzer et al.	219/421

(73) Assignee: **Graco Minnesota Inc.**, Minneapolis, MN (US)

* cited by examiner

(**) Term: **14 Years**

Primary Examiner — Patricia Palasik

(21) Appl. No.: **29/435,633**

(74) *Attorney, Agent, or Firm* — Douglas B. Farrow

(22) Filed: **Oct. 26, 2012**

(57) **CLAIM**

The ornamental design for an adhesive melter, as shown and described.

(51) **LOC (9) Cl.** **15-09**

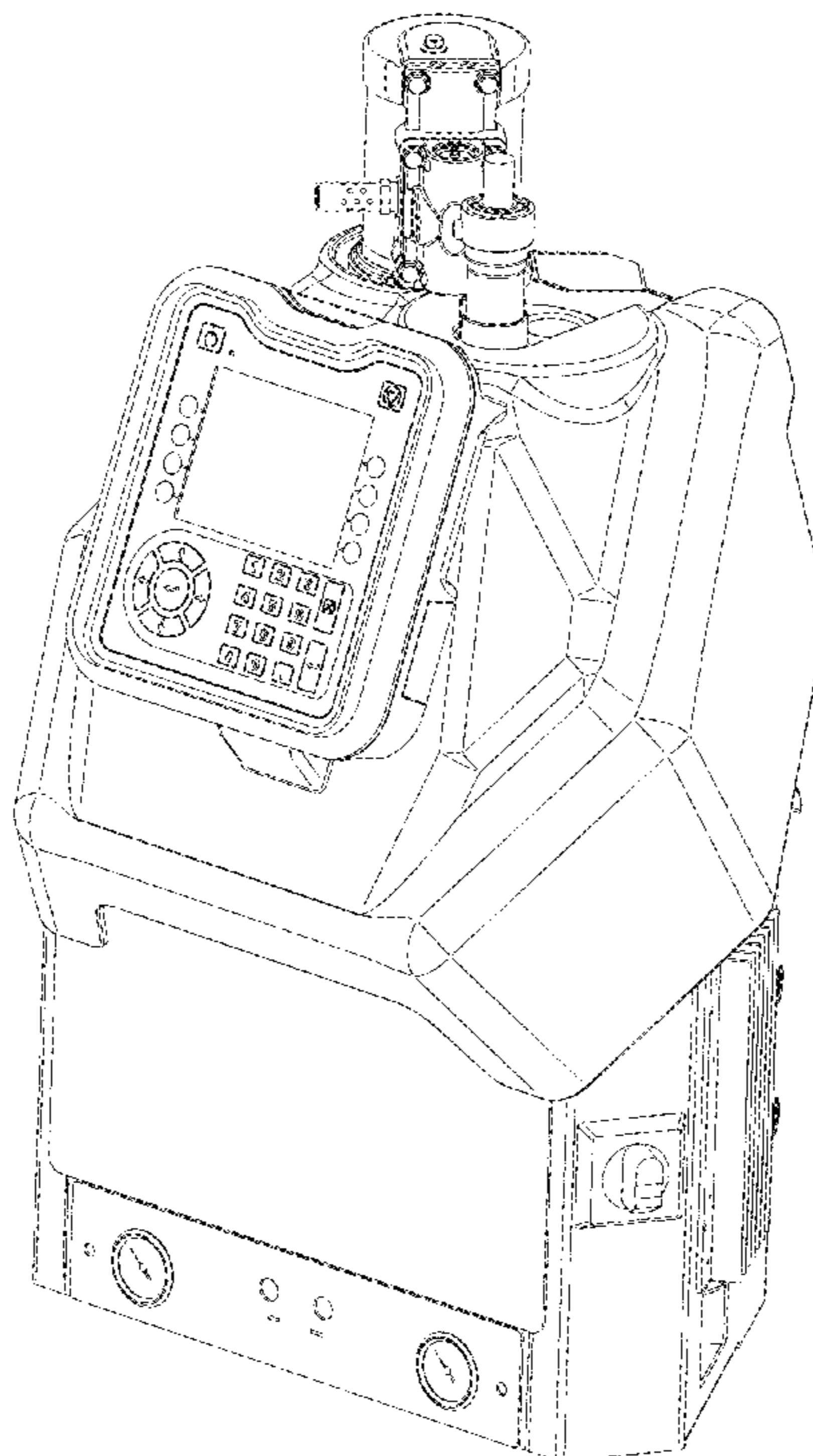
DESCRIPTION

(52) **U.S. Cl.**
USPC **D15/144.2**

FIG. 1 is a front right isometric view of an adhesive melter;
FIG. 2 is a top view thereof;
FIG. 3 is a front side view thereof,
FIG. 4 is a left side view thereof;
FIG. 5 is a right view thereof; and,
FIG. 6 is a back view of an adhesive melter.

(58) **Field of Classification Search**
USPC D15/144, 144.1, 144.2; D34/7;
219/421, 426, 601; 222/146.5, 152,
222/156, 189.06, 386, 389, 397, 405,
222/420–426, 430, 431; 266/200; 432/161
See application file for complete search history.

1 Claim, 6 Drawing Sheets



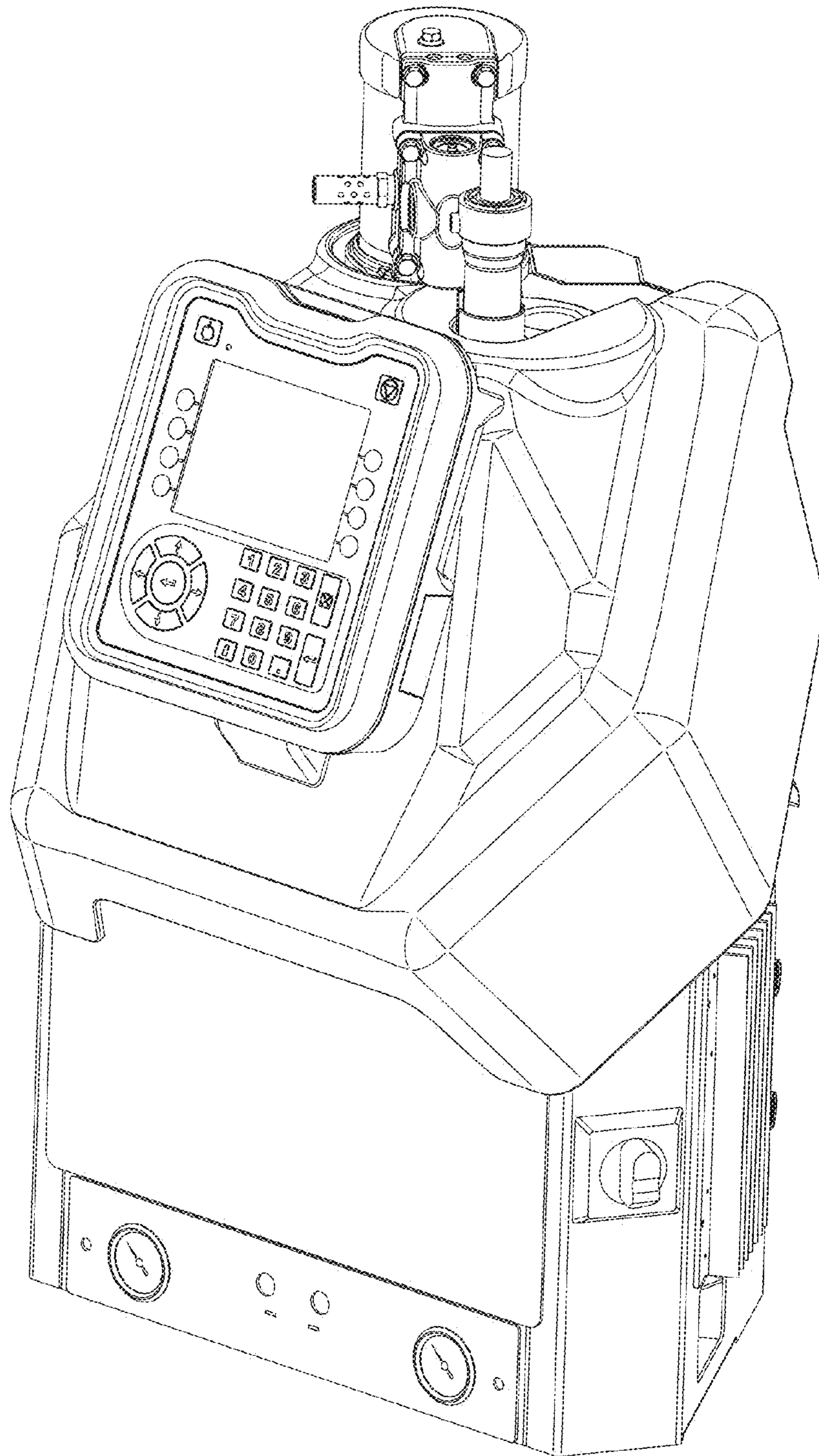


FIG. 1

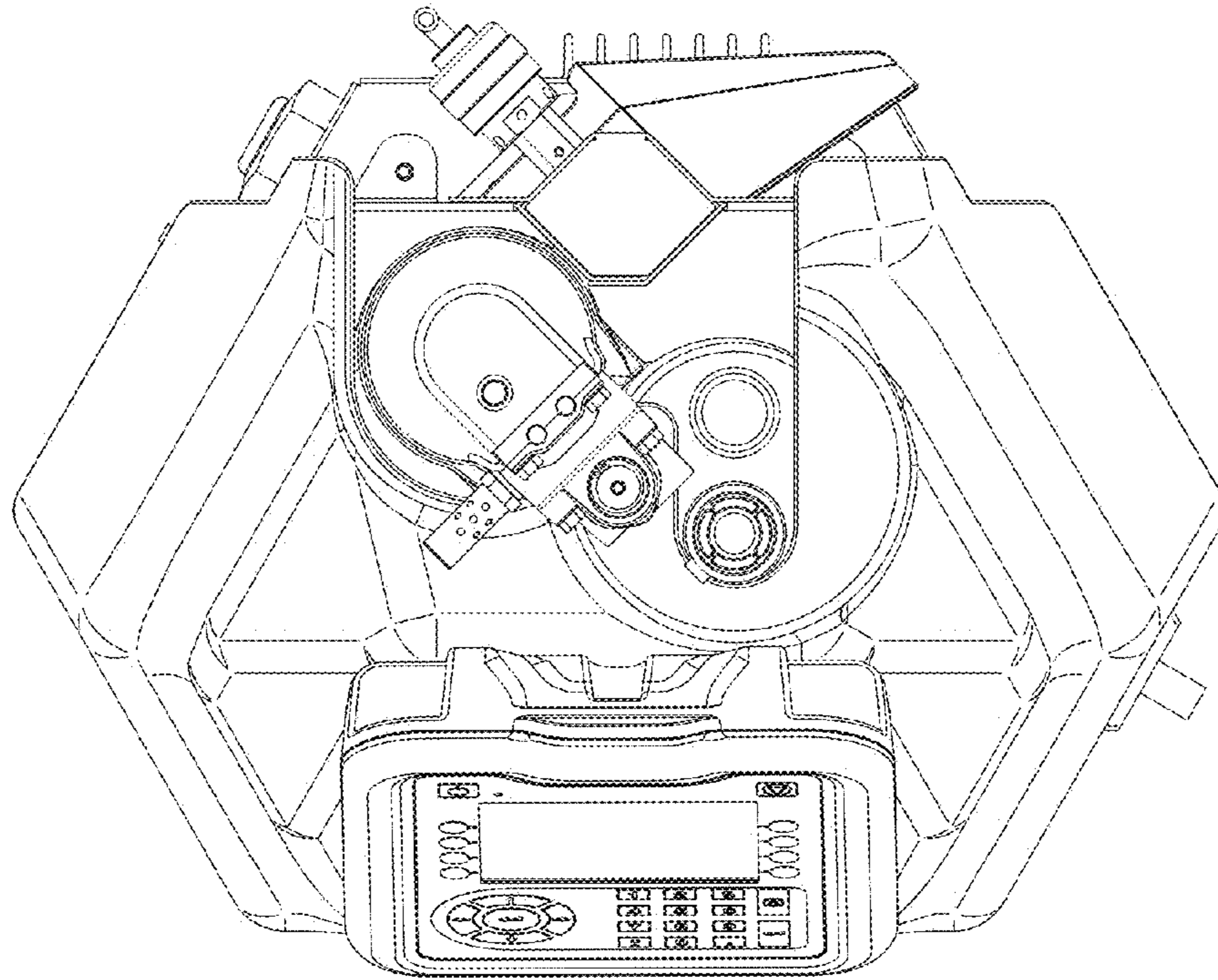


FIG. 2

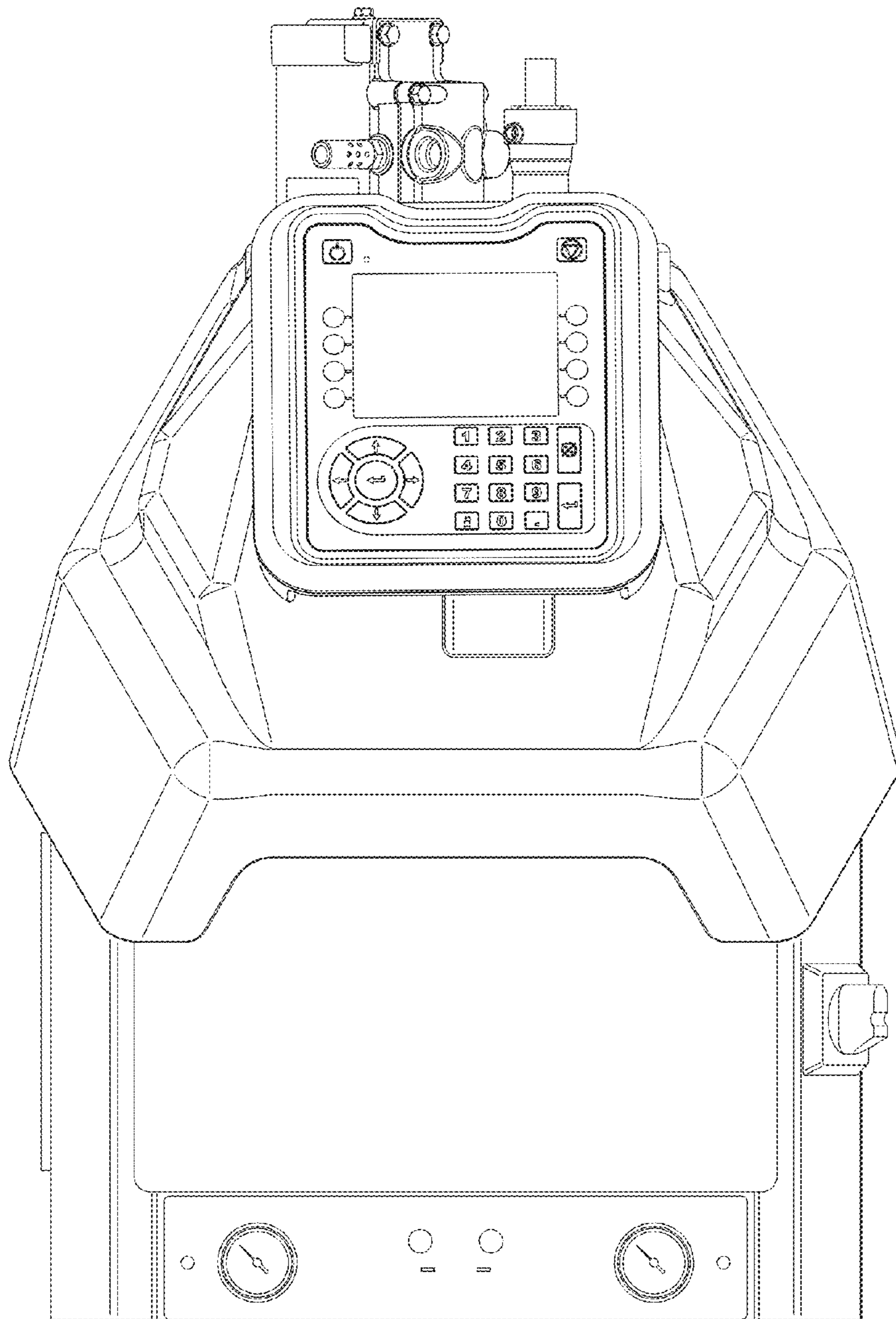


FIG. 3

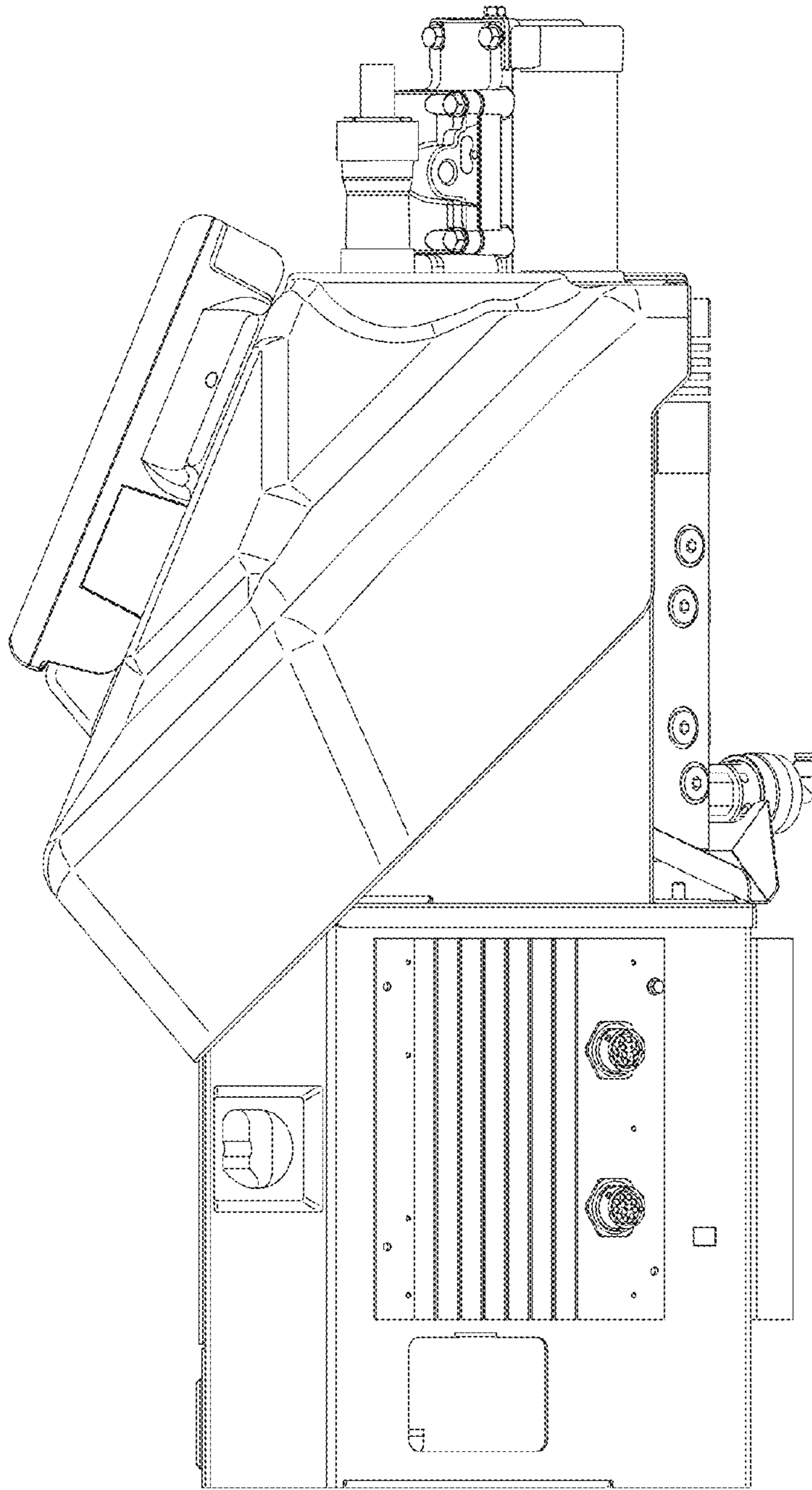


FIG. 4

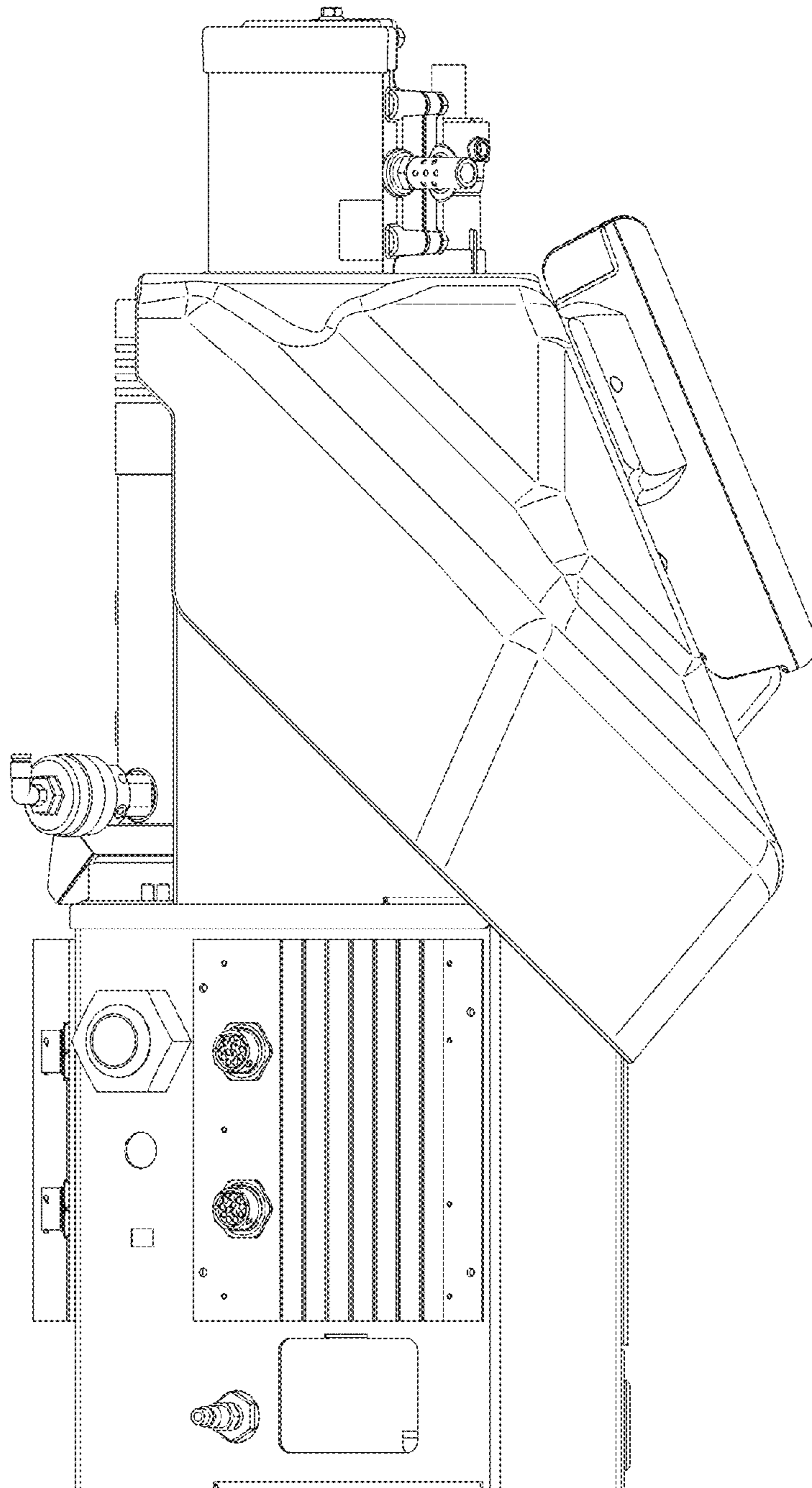


FIG. 5

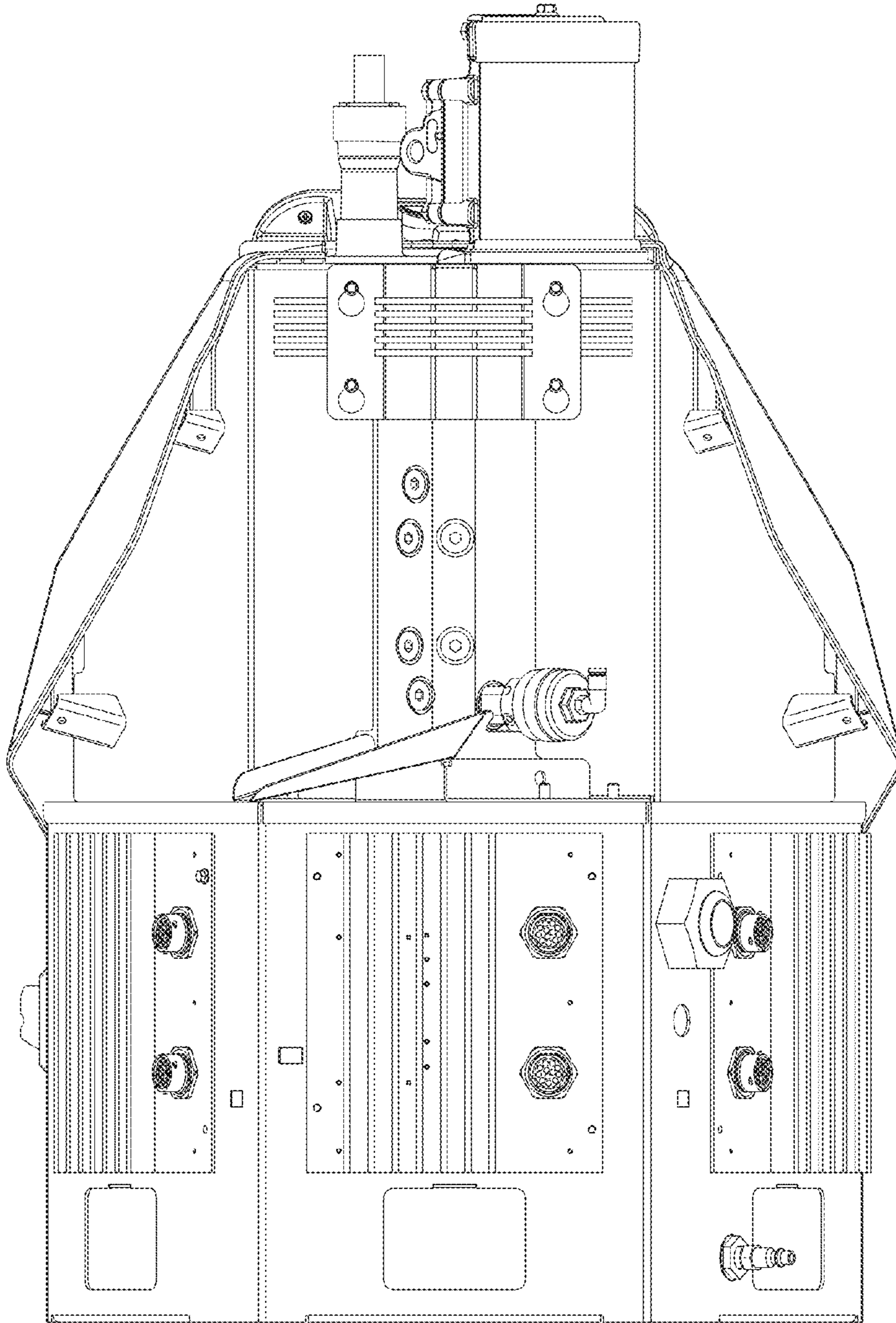


FIG. 6