



US00D696321S

(12) **United States Design Patent**
Chastine et al.

(10) **Patent No.:** **US D696,321 S**
(45) **Date of Patent:** **** Dec. 24, 2013**

(54) **CUFF FOR A HOT MELT ADHESIVE HOSE**

(71) Applicant: **Nordson Corporation**, Westlake, OH (US)

(72) Inventors: **Christopher R. Chastine**, Lawrenceville, GA (US); **James W. Keough**, Atlanta, GA (US); **Bruce A. Lafitte**, Atlanta, GA (US)

(73) Assignee: **Nordson Corporation**, Westlake, OH (US)

(**) Term: **14 Years**

(21) Appl. No.: **29/447,824**

(22) Filed: **Mar. 7, 2013**

(51) **LOC (9) Cl.** **15-09**

(52) **U.S. Cl.**
USPC **D15/144**

(58) **Field of Classification Search**
USPC D8/29.1, 30; D15/144, 144.1, 144.2; 29/611; 174/10, 20, 22 R; 219/68, 70, 219/75, 86.21, 90, 121.36, 121.38, 121.39, 219/121.44, 121.48, 121.5, 121.51, 121.56, 219/123, 137.31, 137.2, 137.44, 137.7, 219/137.8, 138, 141, 234
See application file for complete search history.

(56) **References Cited**

U.S. PATENT DOCUMENTS

2,793,280	A	5/1957	Harvey	
3,585,361	A	6/1971	Rosen et al.	
3,732,352	A *	5/1973	Dima et al.	174/10
4,006,845	A	2/1977	Scholl et al.	
4,229,613	A	10/1980	Braun	
4,245,759	A	1/1981	Baker et al.	
4,455,474	A	6/1984	Jameson et al.	
4,462,649	A	7/1984	Medford et al.	
4,518,016	A *	5/1985	Baker	138/96 R
4,553,023	A	11/1985	Jameson et al.	

4,616,894	A	10/1986	Baker	
4,644,134	A	2/1987	Baker	
4,667,063	A *	5/1987	Ball	174/73.1
4,667,084	A	5/1987	Regge	

(Continued)

FOREIGN PATENT DOCUMENTS

WO 2011044029 A1 4/2011

OTHER PUBLICATIONS

Nordson Corporation, Adhesive and Sealants Equipment Guide, Section 8—Hot Melt Hoses, 2001-2002, 27 pgs.

Primary Examiner — Patricia Palasik

(74) *Attorney, Agent, or Firm* — Wood, Herron & Evans, L.L.P.

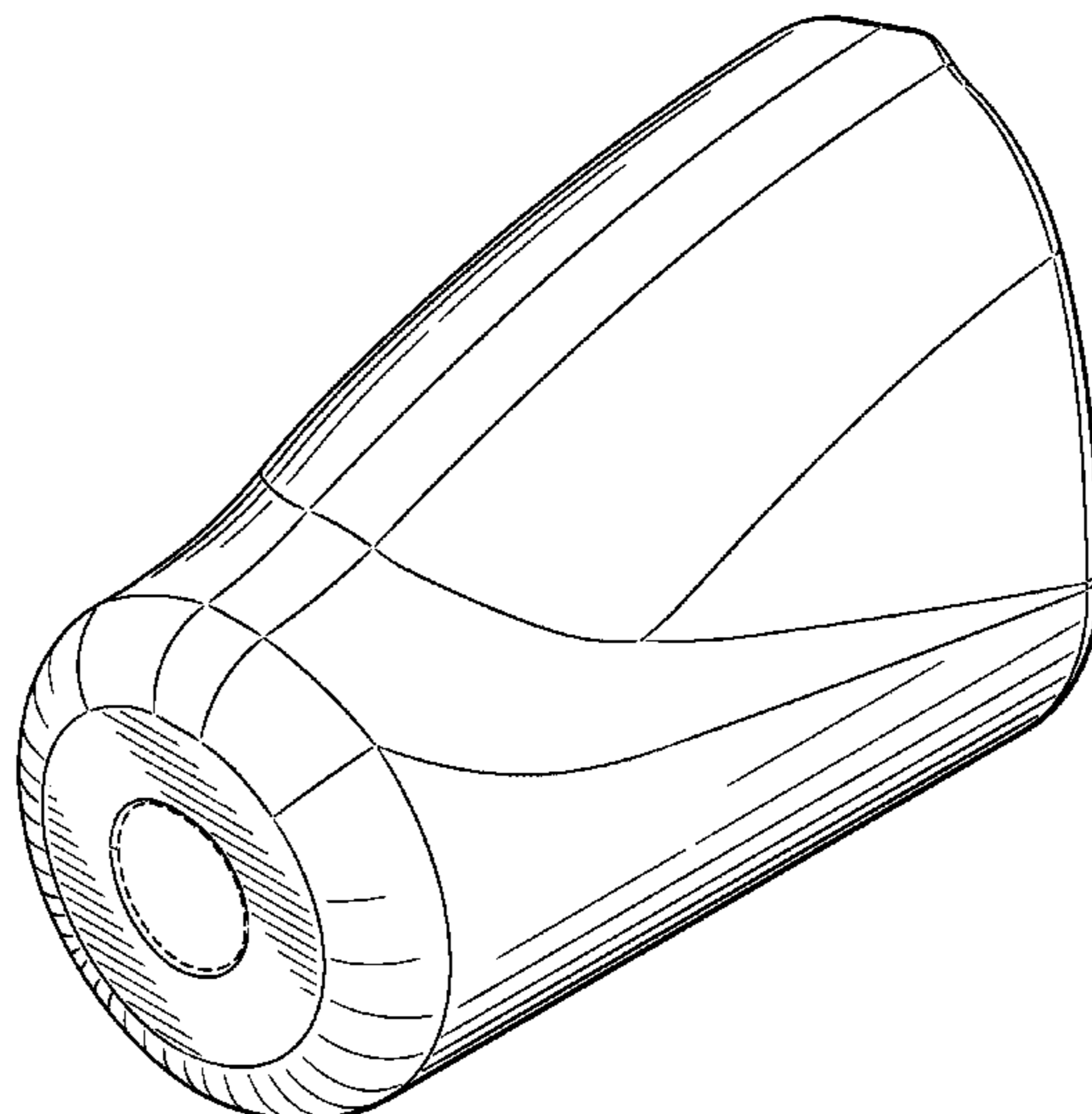
(57) **CLAIM**

The ornamental design for a cuff for a hot melt adhesive hose, as shown and described.

DESCRIPTION

FIG. 1 is a front perspective view of the cuff for a hot melt adhesive hose according to the present invention.
FIG. 2 is a rear perspective view of the cuff for a hot melt adhesive hose according to the present invention.
FIG. 3 is a left side view of the cuff for a hot melt adhesive hose according to the present invention.
FIG. 4 is a right side view of the cuff for a hot melt adhesive hose according to the present invention.
FIG. 5 is a front view of the cuff for a hot melt adhesive hose according to the present invention.
FIG. 6 is a rear view of the cuff for a hot melt adhesive hose according to the present invention.
FIG. 7 is a top view of the cuff for a hot melt adhesive hose according to the present invention; and,
FIG. 8 is a bottom view of the cuff for a hot melt adhesive hose according to the present invention.
The broken lines define unclaimed boundaries of the design.

1 Claim, 5 Drawing Sheets



(56)

References Cited

U.S. PATENT DOCUMENTS

4,891,489 A * 1/1990 Bollinger et al. 219/121.48
 D369,648 S * 5/1996 Fowler D8/70
 5,608,963 A 3/1997 Lefere
 D385,819 S * 11/1997 Chen D10/119.3
 5,856,647 A * 1/1999 Luo 219/121.5
 6,152,386 A 11/2000 Bullock et al.
 D455,621 S * 4/2002 Cheng D8/30
 D456,679 S * 5/2002 Cheng D8/29.1
 D456,680 S * 5/2002 Cheng D8/29.1
 6,399,863 B2 * 6/2002 Madeley 84/380 R
 6,641,304 B1 11/2003 Ang et al.

D501,632 S * 2/2005 Hewett et al. D8/30
 D502,421 S * 3/2005 Cheng D10/119.2
 7,159,905 B1 1/2007 Stark et al.
 7,642,464 B2 1/2010 Byerly
 D649,938 S 12/2011 Erickson et al.
 D649,939 S 12/2011 Erickson et al.
 D653,270 S * 1/2012 Furujo et al. D15/144
 D678,371 S * 3/2013 Wen D15/144
 2004/0011817 A1 1/2004 Colangelo et al.
 2005/0008353 A1 1/2005 Lafitte
 2006/0289560 A1 12/2006 Bourget et al.
 2006/0289561 A1 12/2006 Bourget et al.
 2009/0057277 A1 * 3/2009 Renault et al. 219/121.5

* cited by examiner

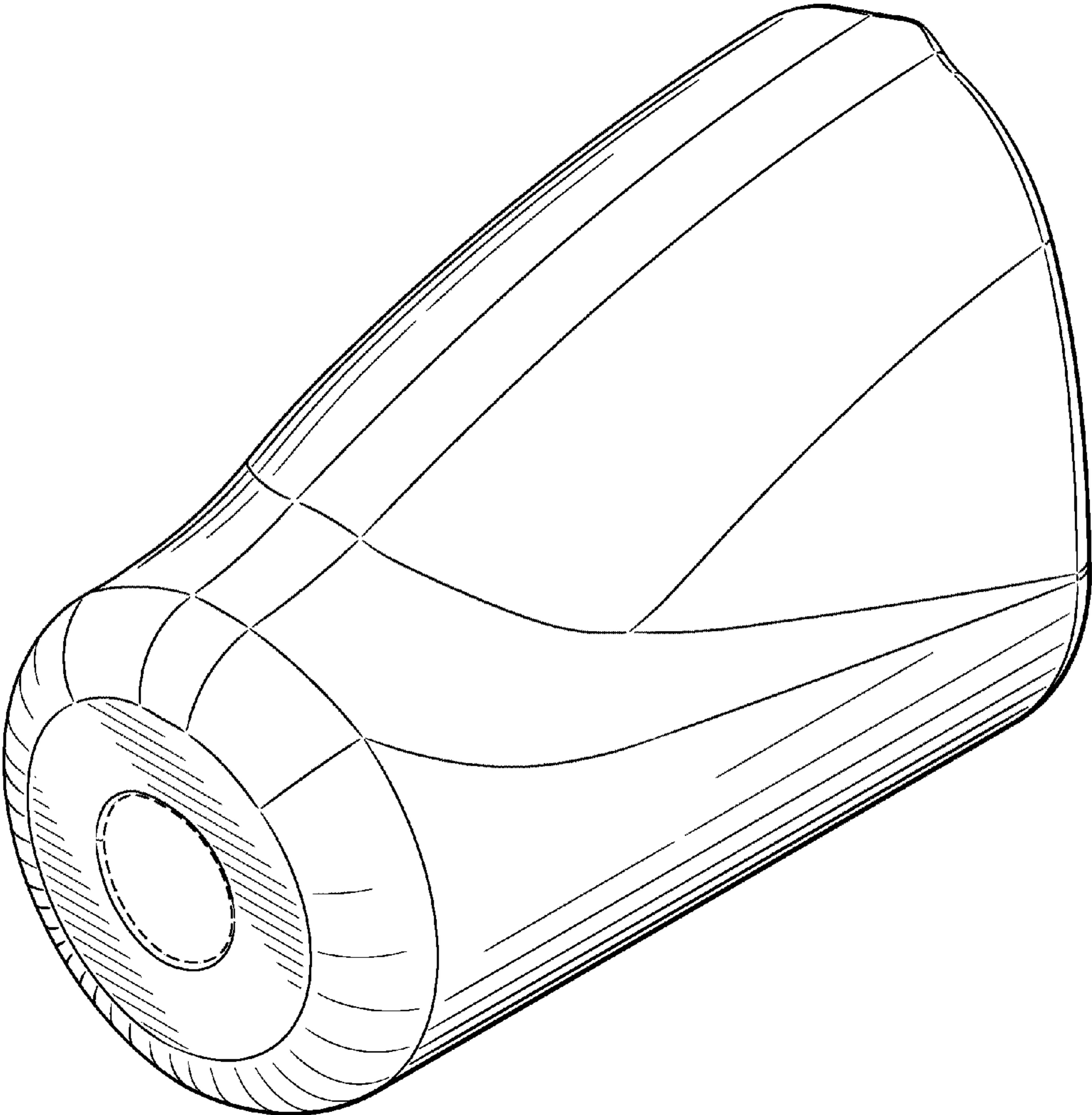


FIG. 1

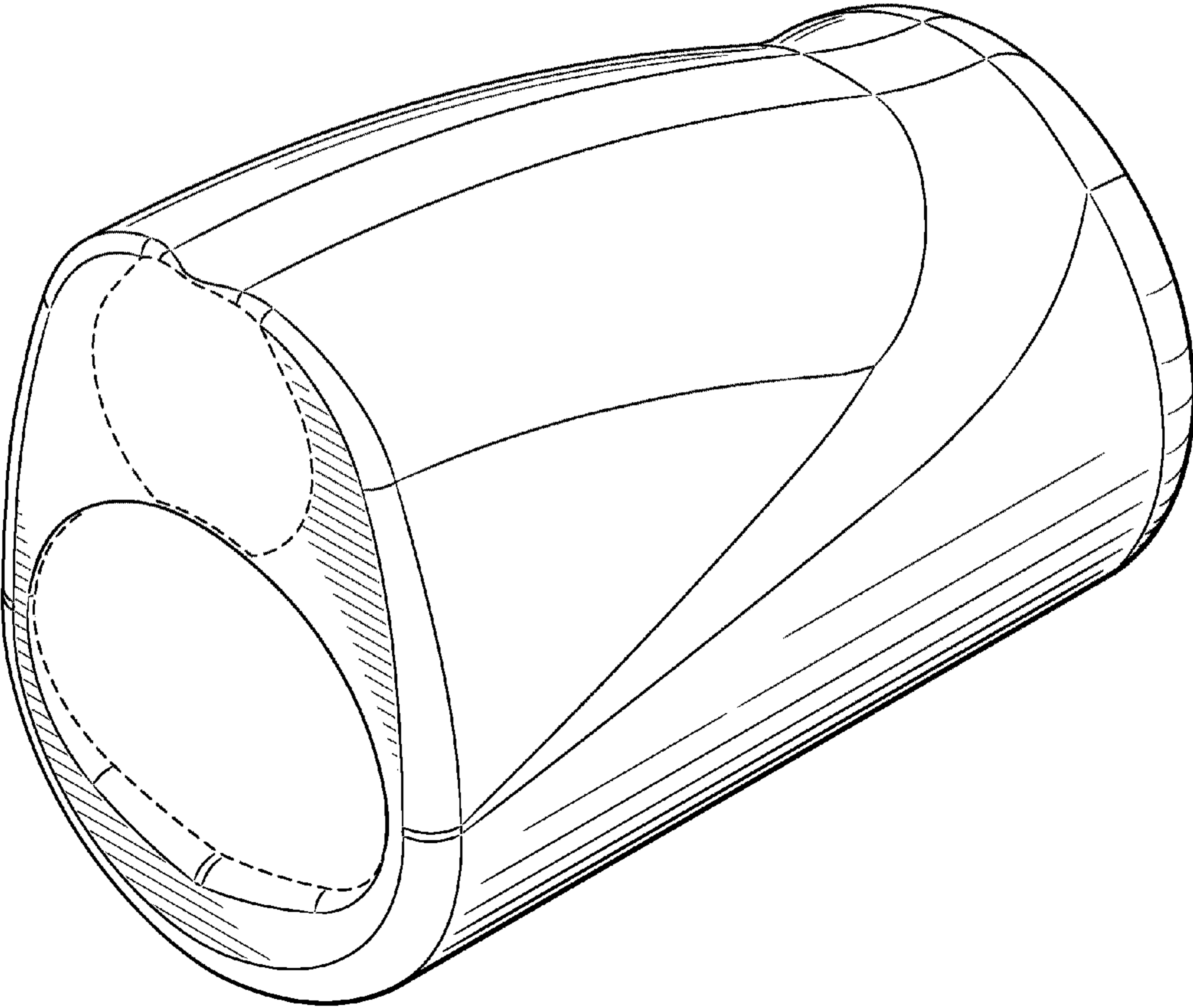


FIG. 2

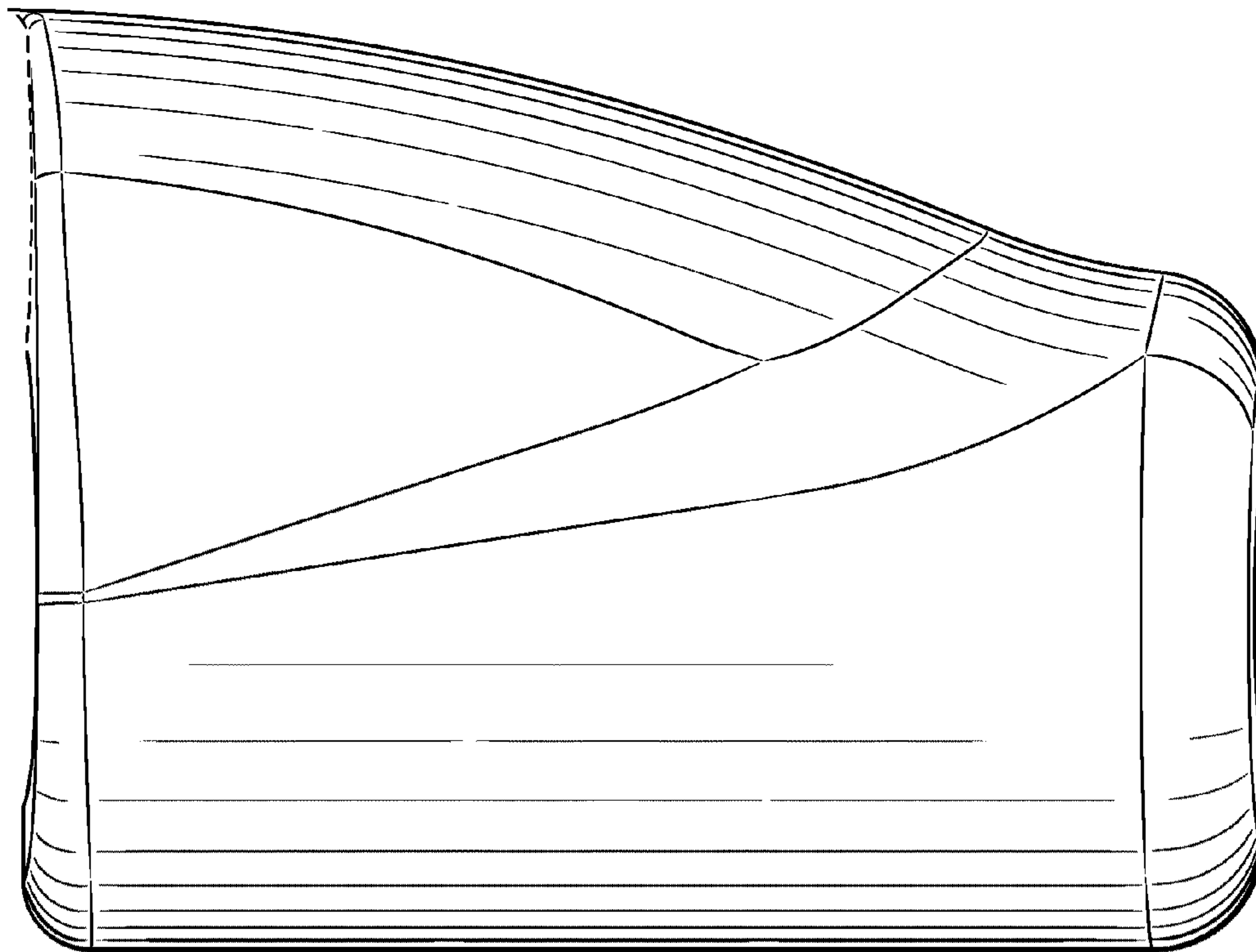


FIG. 3

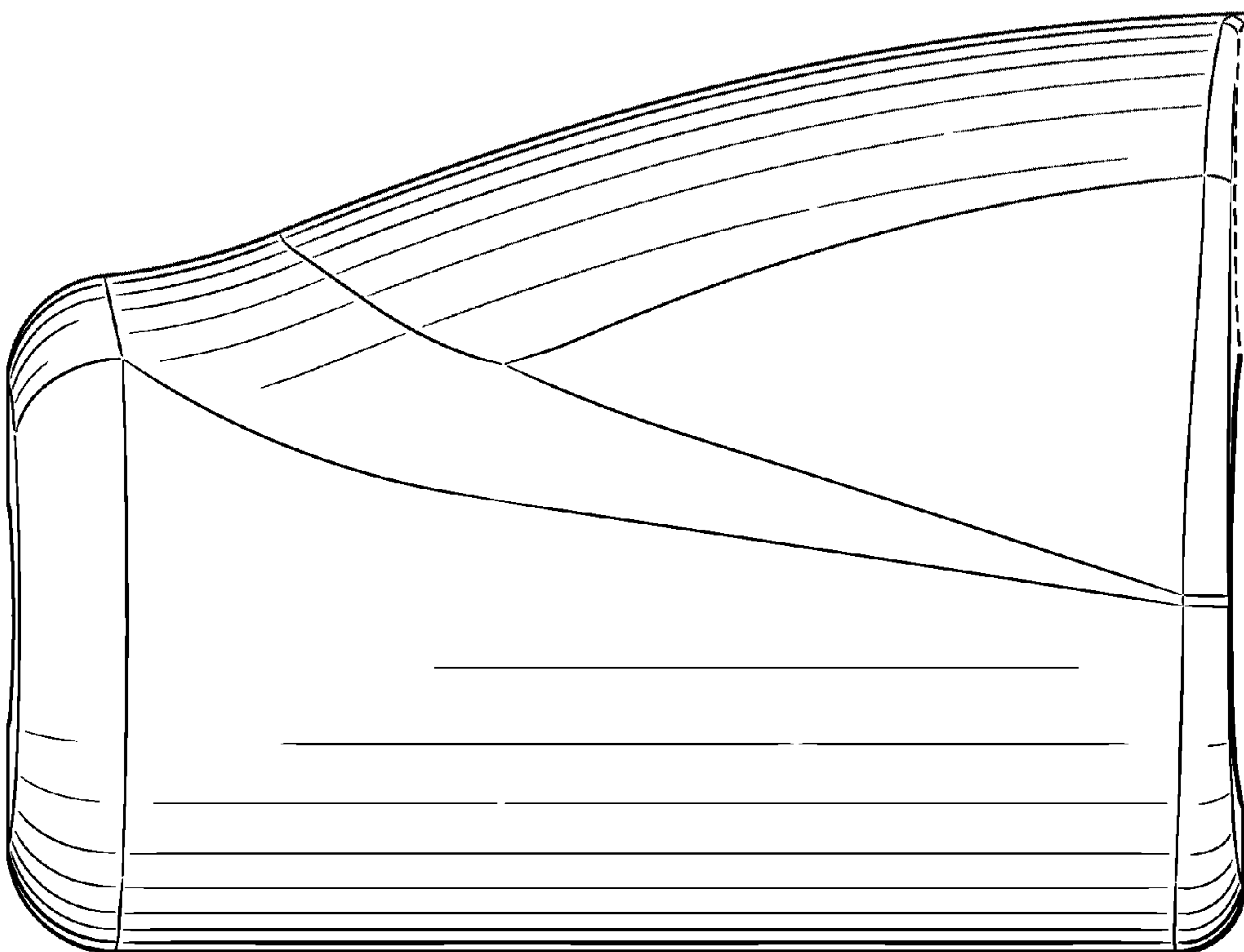


FIG. 4

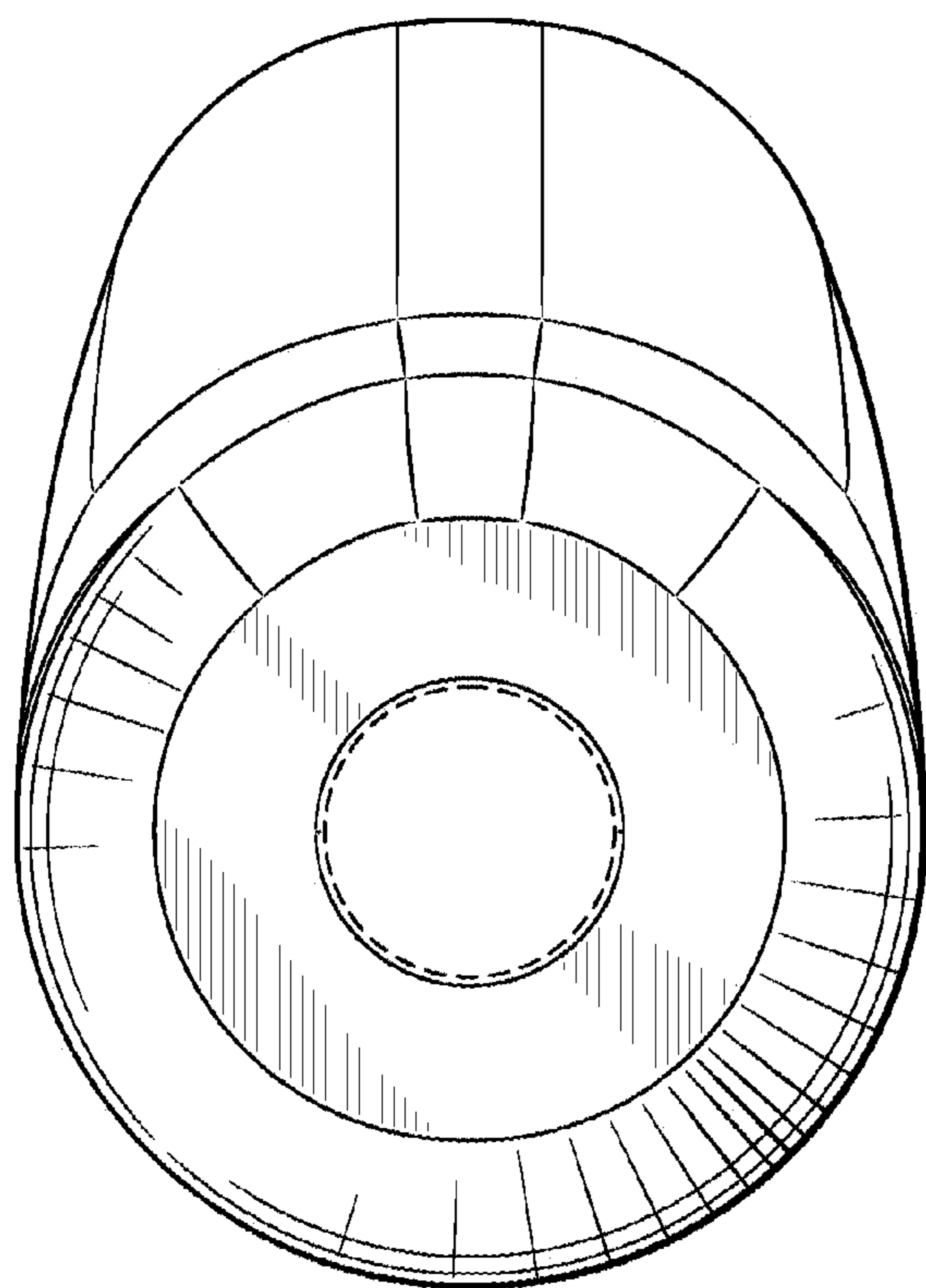


FIG. 5

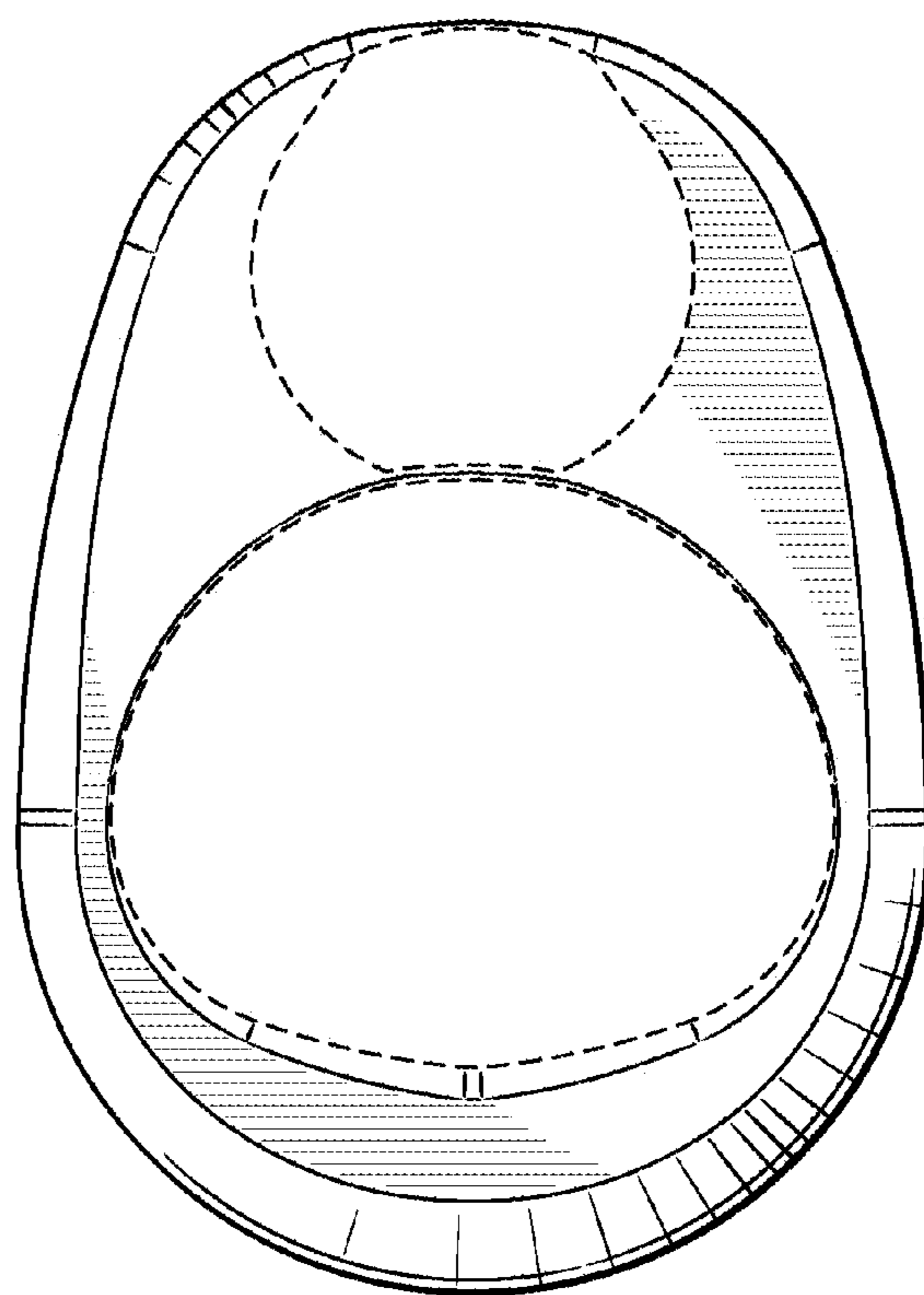


FIG. 6

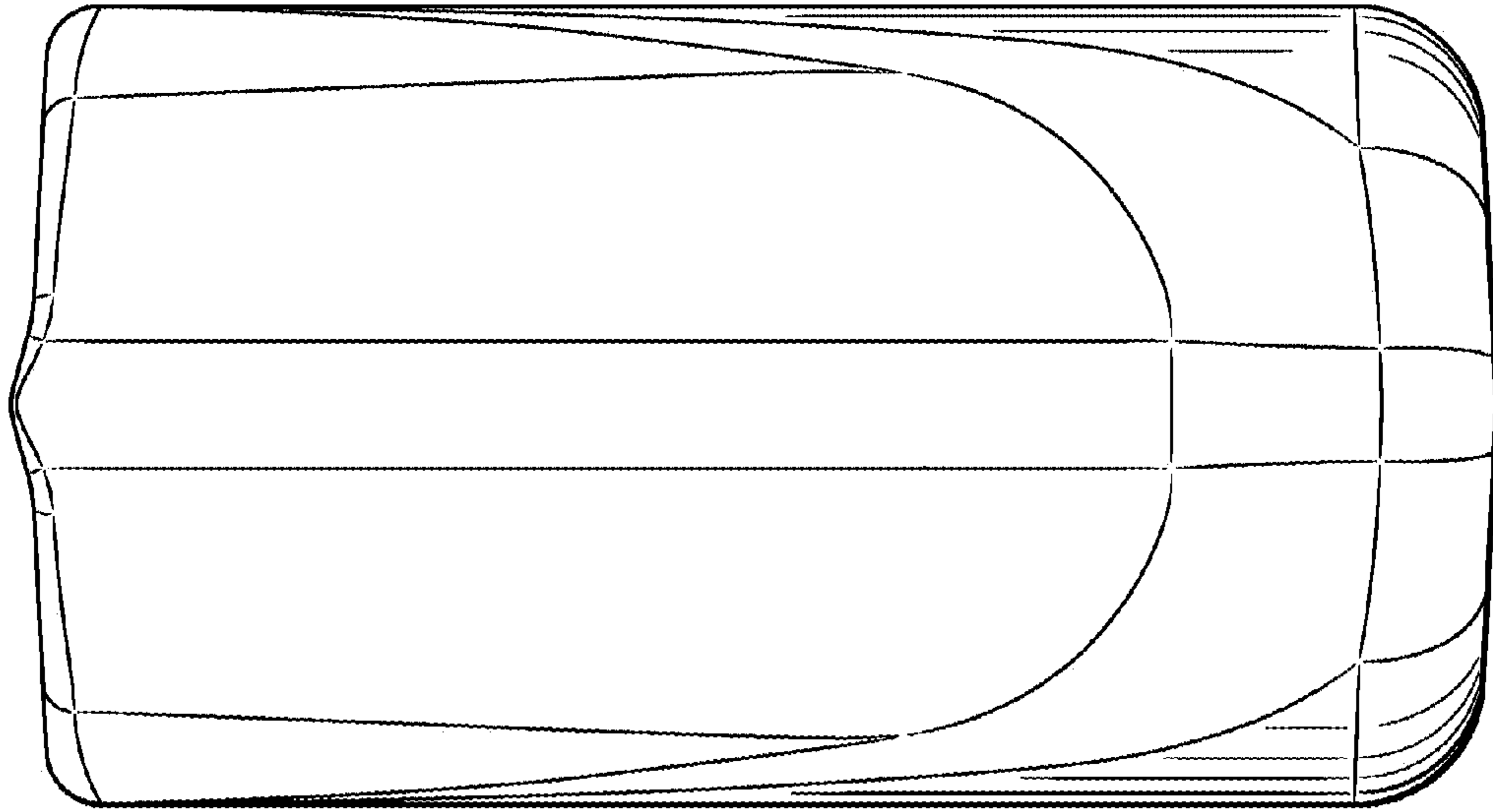


FIG. 7

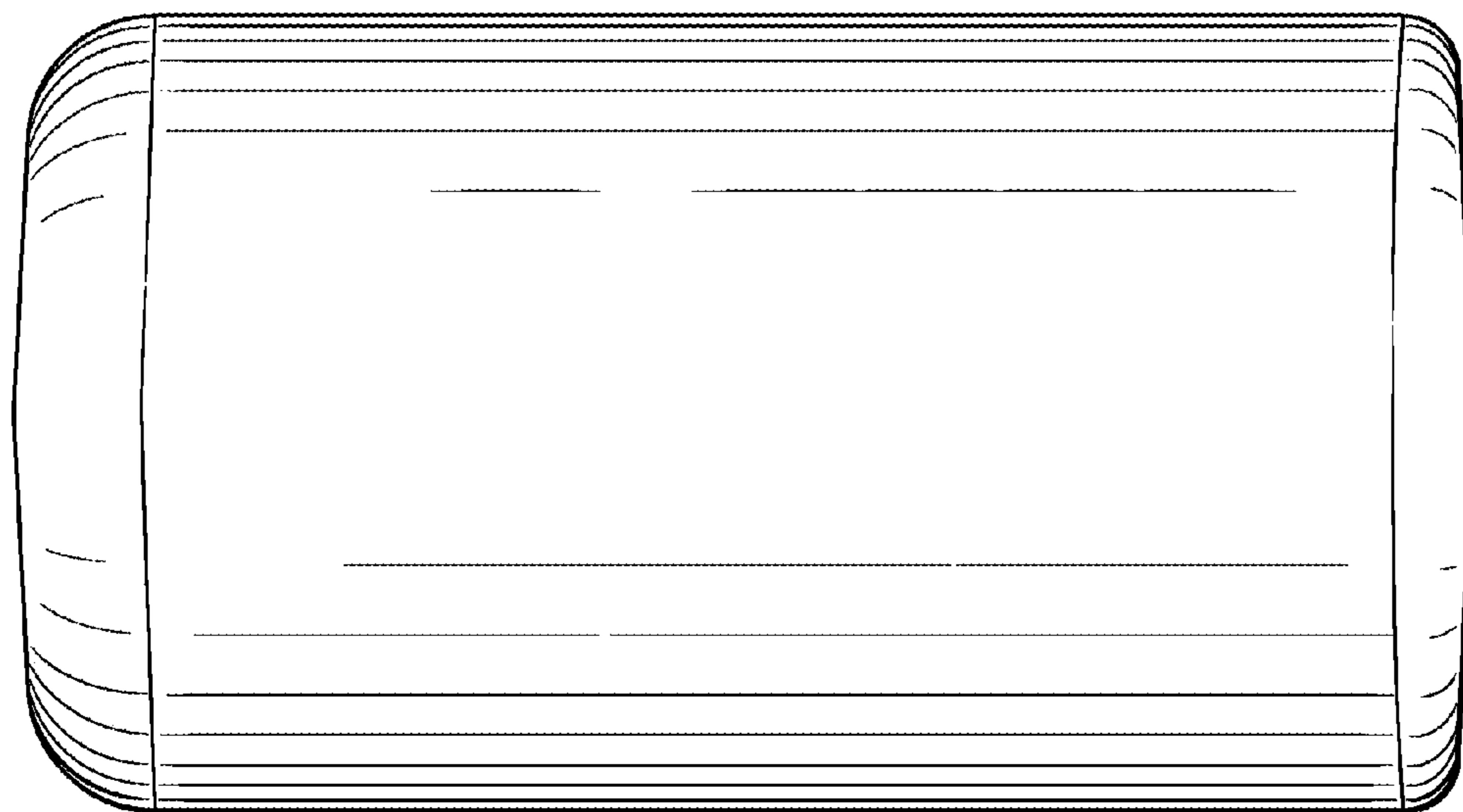


FIG. 8