



US00D696320S

(12) **United States Design Patent**  
**Sjöberg et al.**

(10) **Patent No.:** **US D696,320 S**

(45) **Date of Patent:** **\*\* Dec. 24, 2013**

(54) **BEARING SET FOR CRUSHERS**

4,772,139 A 9/1988 Bretton  
5,871,284 A 2/1999 Nadjafi et al.  
D444,802 S 7/2001 Dyson et al.

(71) Applicant: **Sandvik Intellectual Property AB**,  
Sandviken (SE)

(Continued)

(72) Inventors: **Patrik Sjöberg**, Malmö (SE); **Mauricio Torres**, Malmö (SE)

*Primary Examiner* — Patricia Palasik

(74) *Attorney, Agent, or Firm* — Renner, Otto, Boisselle & Sklar, LLP

(73) Assignee: **Sandvik Intellectual Property AB**,  
Sandviken (SE)

(57) **CLAIM**

The ornamental design for a bearing set for crushers, as shown and described.

(\*\*) Term: **14 Years**

**DESCRIPTION**

(21) Appl. No.: **29/454,634**

(22) Filed: **May 13, 2013**

**Related U.S. Application Data**

(62) Division of application No. 29/396,151, filed on Jun. 27, 2011, now Pat. No. Des. 689,533.

FIG. 1 is a first perspective view of a bearing set for crushers showing our design taken from a right side and above a horizon, the bearing set being sold as a set inclusive of a main shaft component, a piston wearing plate component, and a step washer component;

FIG. 2 is a second perspective view thereof taken from the right side and below a horizon;

FIG. 3 is a left side view thereof;

FIG. 4 is a top view of the main shaft component of the bearing set;

FIG. 5 is a bottom view thereof;

FIG. 6 is a left side view thereof;

FIG. 7 is a rear view thereof;

FIG. 8 is a right side view thereof;

FIG. 9 is a front view thereof;

FIG. 10 is a top view of the piston wearing plate component of the bearing set;

FIG. 11 is a bottom view thereof;

FIG. 12 is a rear view thereof, left and right side views being the same;

FIG. 13 is a front view thereof;

FIG. 14 is a top view of the step washer component of the bearing set;

FIG. 15 is a bottom view thereof;

FIG. 16 is a right side view thereof, the left side view being the same; and,

FIG. 17 is a front view thereof, the rear view being the same.

**Foreign Application Priority Data**

May 18, 2011 (EM) ..... 001865601

(51) **LOC (9) Cl.** ..... **15-09**

(52) **U.S. Cl.**  
USPC ..... **D15/143; D15/123**

(58) **Field of Classification Search**

USPC ..... D15/123, 143, 199; 29/481; 277/419;  
360/265.2; 384/222, 258, 273, 274,  
384/295, 300, 412, 428, 537, 588

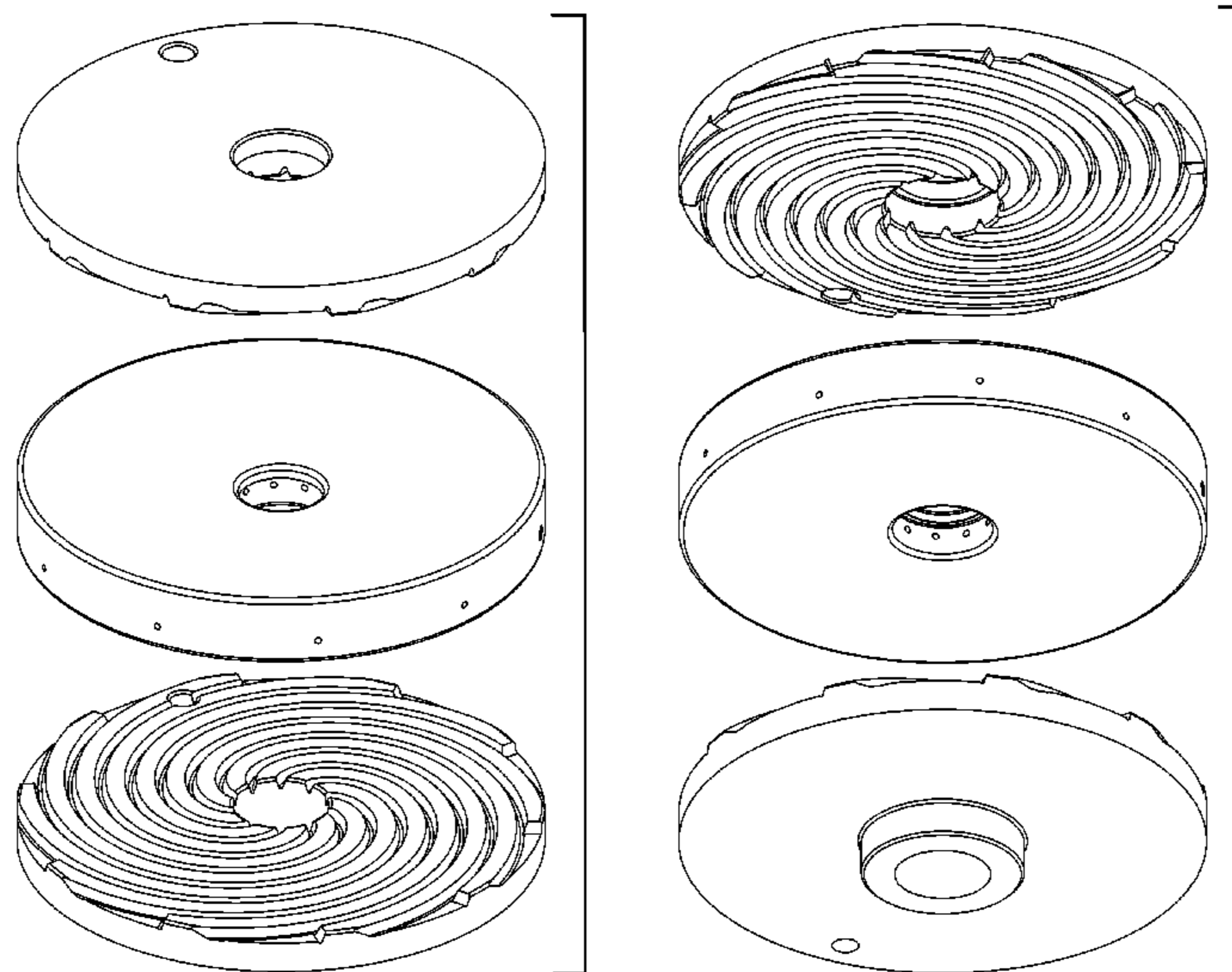
See application file for complete search history.

(56) **References Cited**

**U.S. PATENT DOCUMENTS**

4,240,677 A 12/1980 Payne et al.  
4,302,901 A 12/1981 Psyra  
4,571,098 A 2/1986 Rudnik

**1 Claim, 13 Drawing Sheets**



(56)

**References Cited**

U.S. PATENT DOCUMENTS

D459,732 S \* 7/2002 Sasaki et al. .... D15/3  
7,044,471 B2 5/2006 Elliott et al.  
7,954,998 B2 6/2011 Saville et al.

D660,890 S \* 5/2012 Ito et al. .... D15/143  
D677,523 S 3/2013 Bickert et al.  
2003/0117031 A1 6/2003 Wang et al.  
2004/0130827 A1 7/2004 Oveyssi  
2008/0285906 A1 11/2008 Georgi et al.

\* cited by examiner

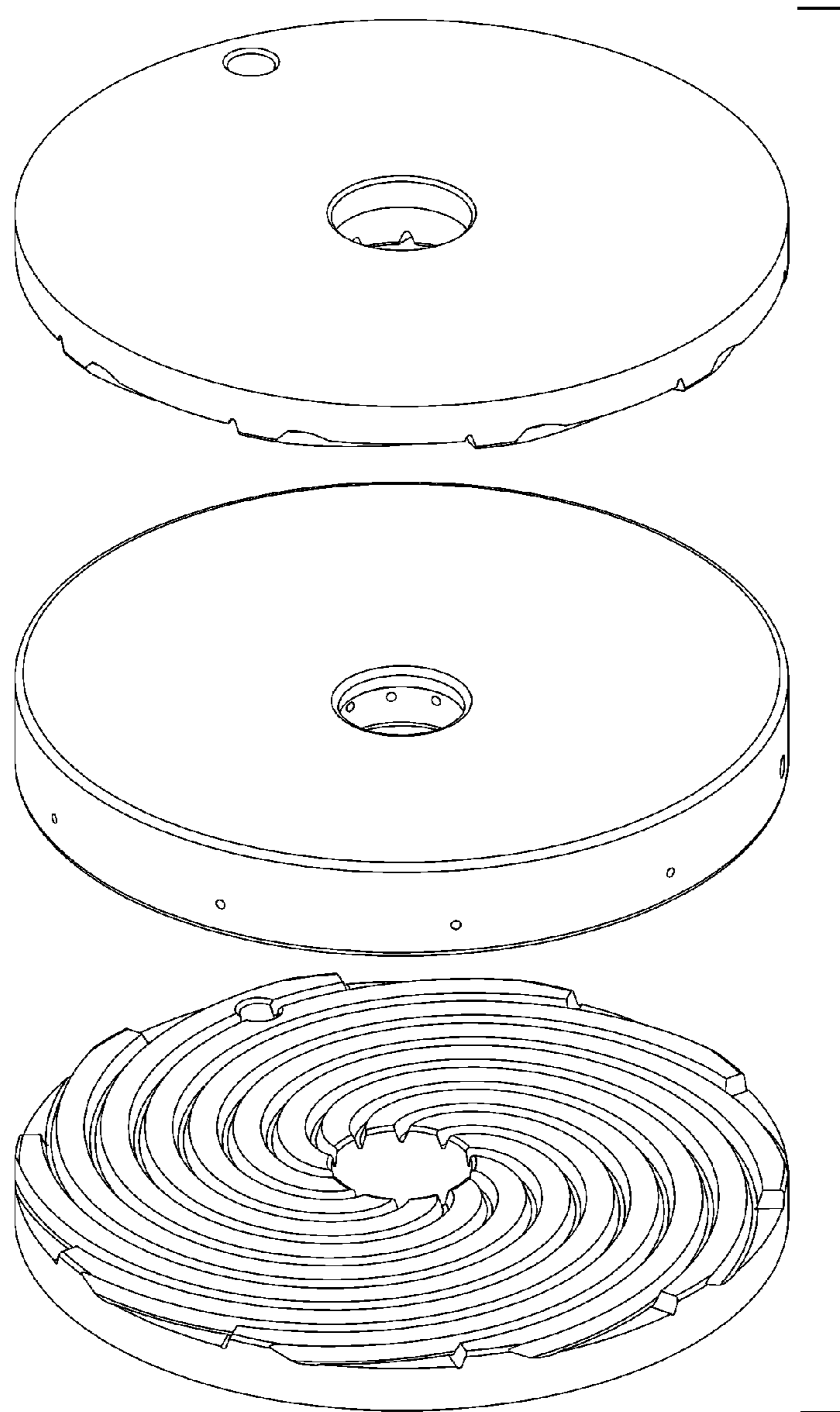


FIG. 1

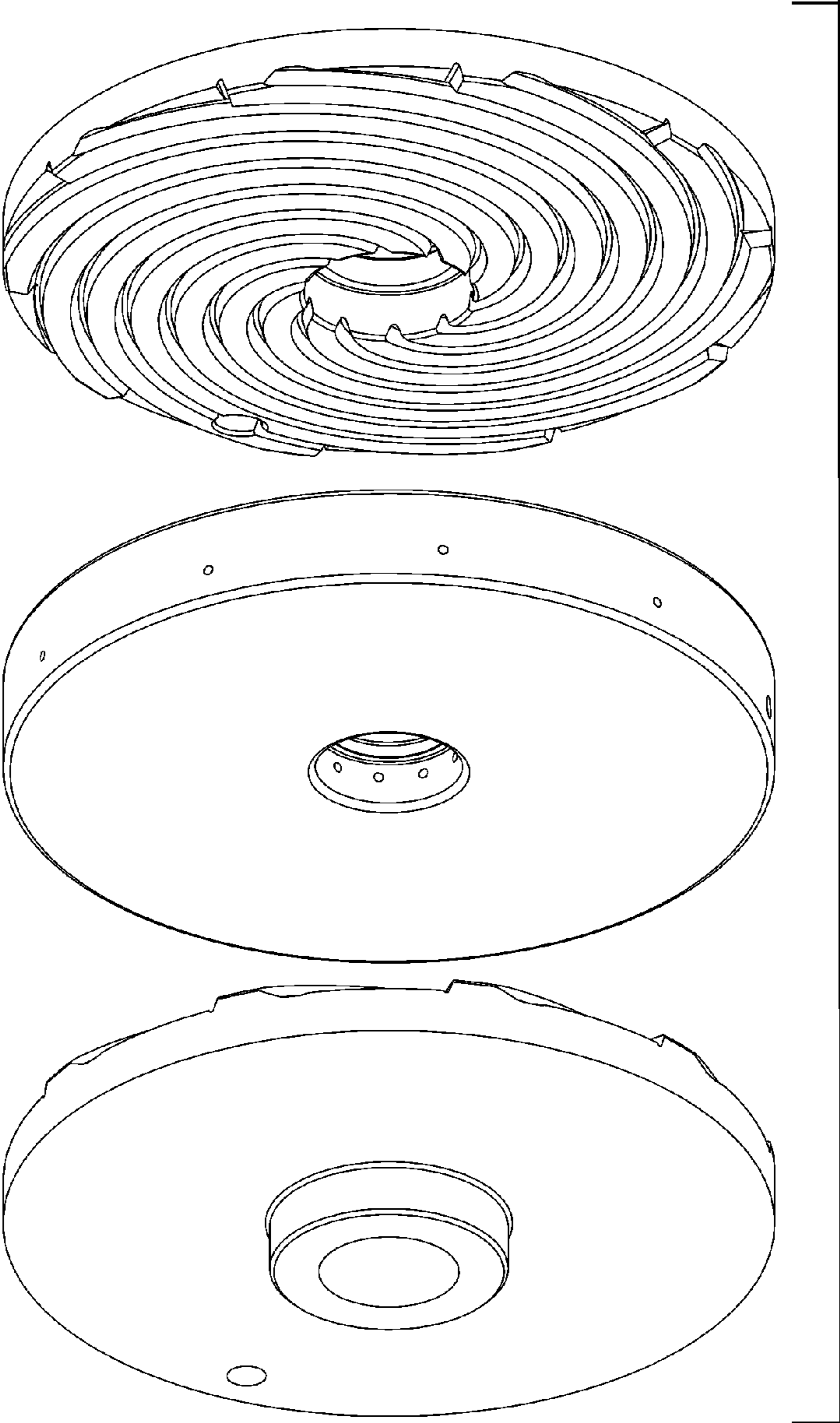


FIG. 2

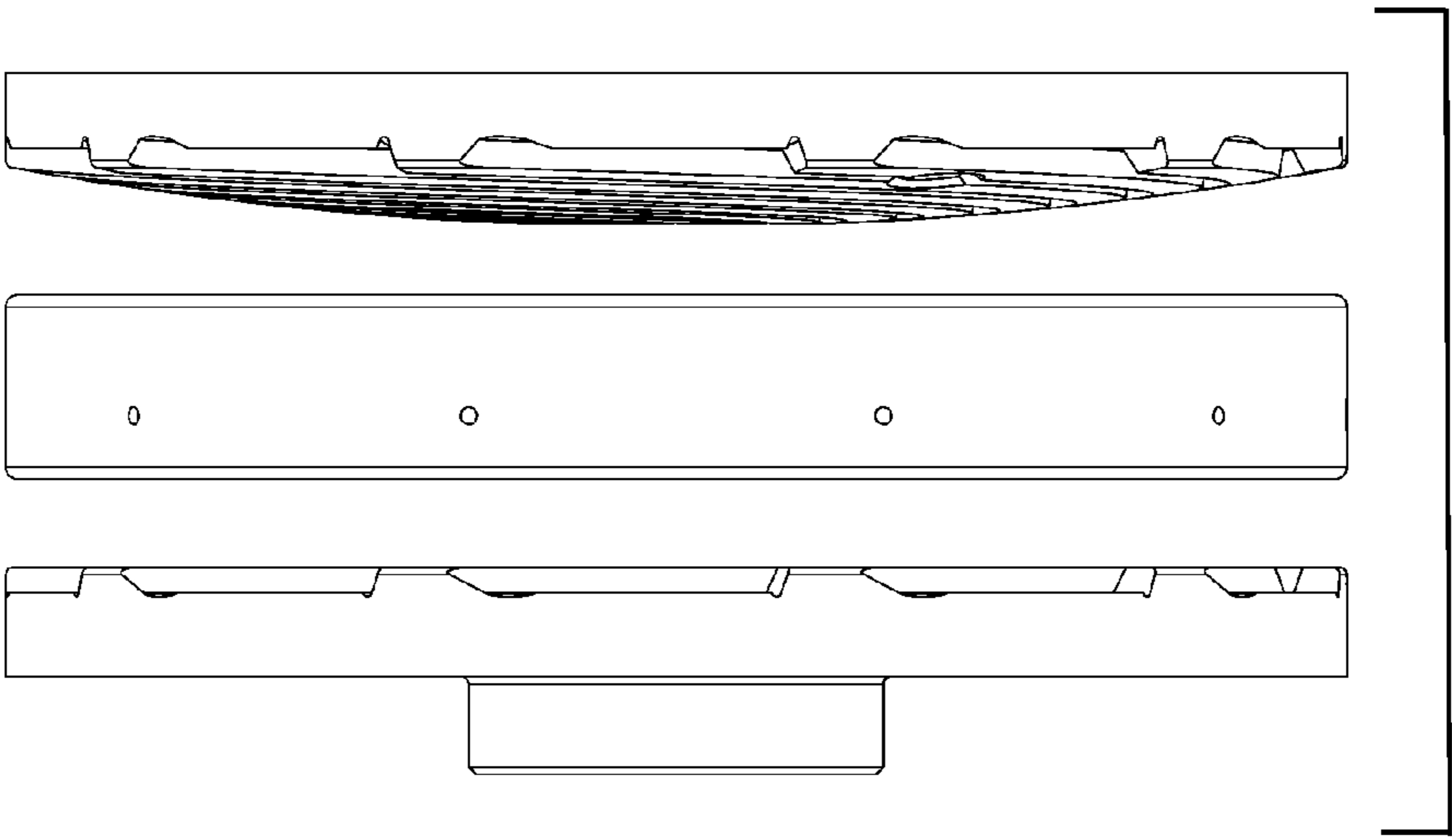


FIG. 3

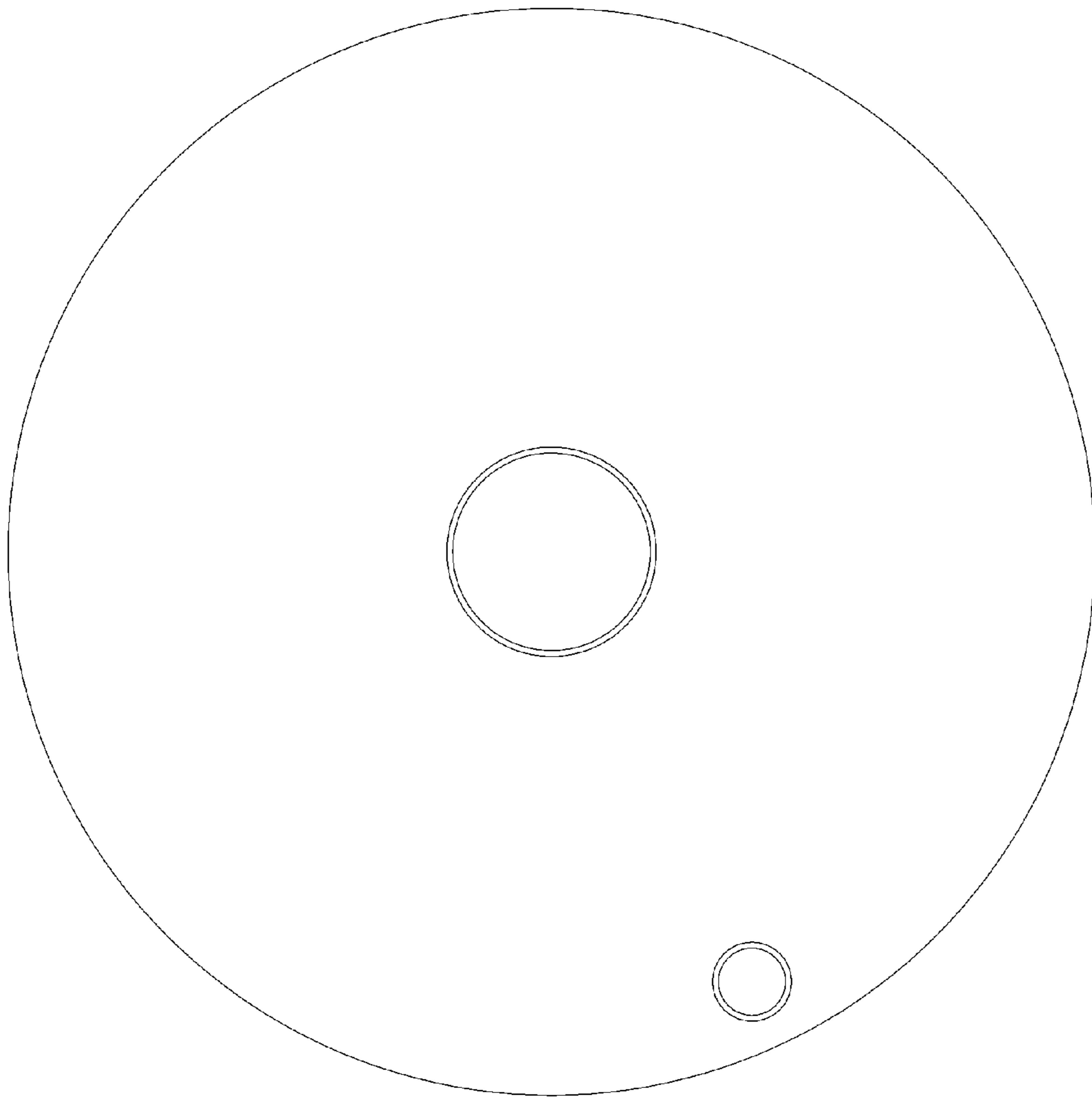


FIG. 4

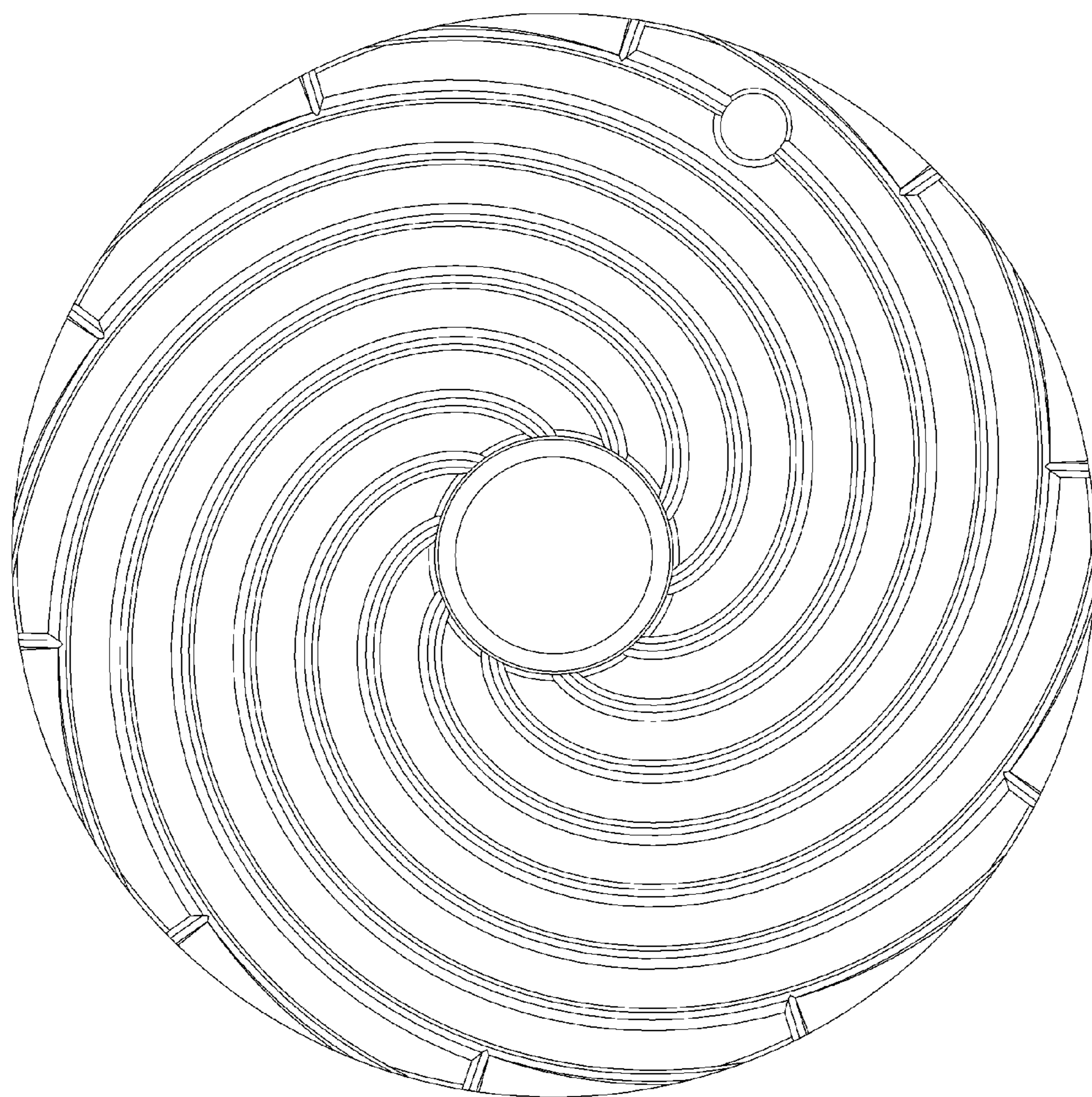


FIG. 5

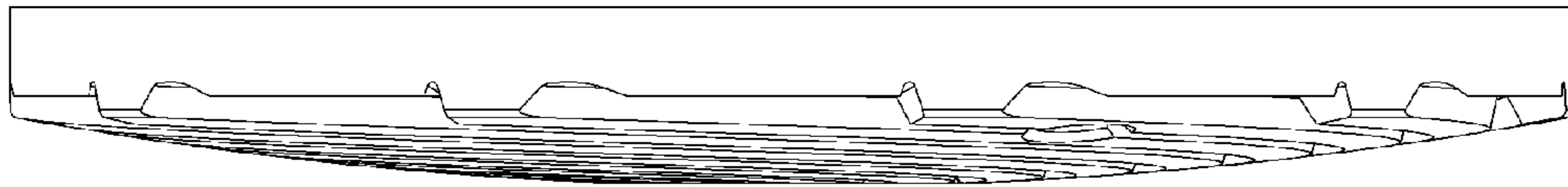


FIG. 6

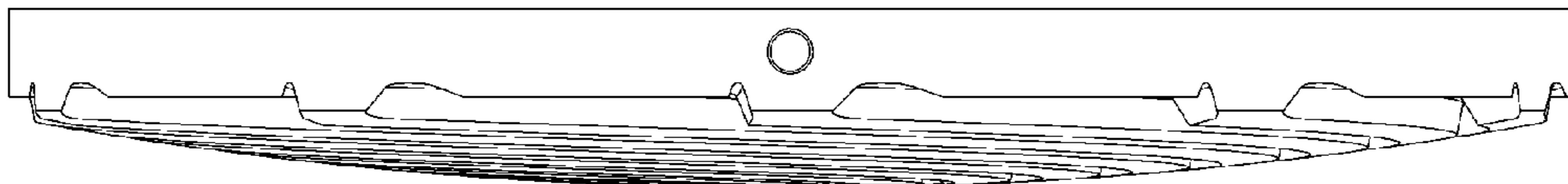


FIG. 7





FIG. 8

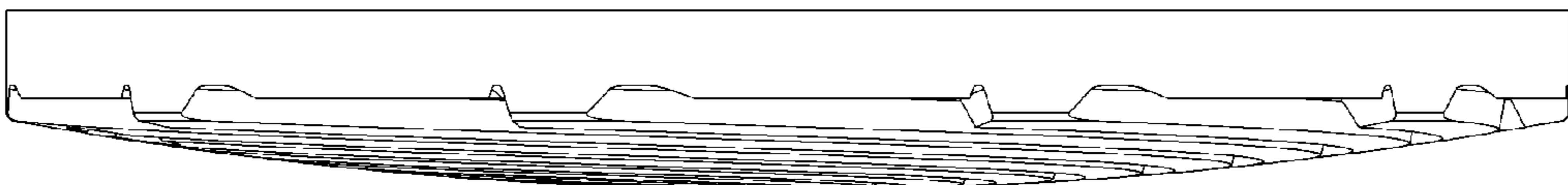


FIG. 9

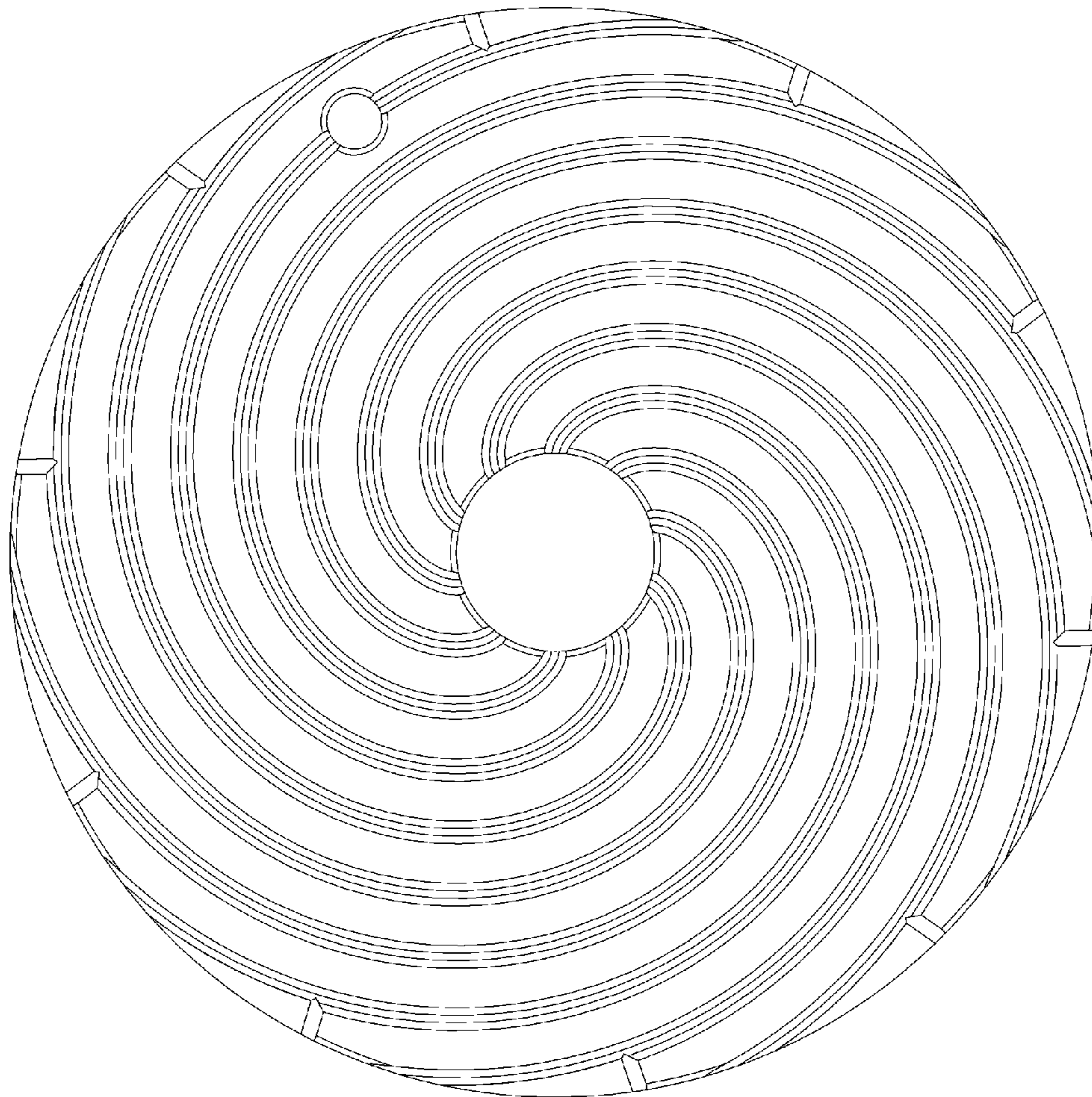


FIG. 10



FIG. 11

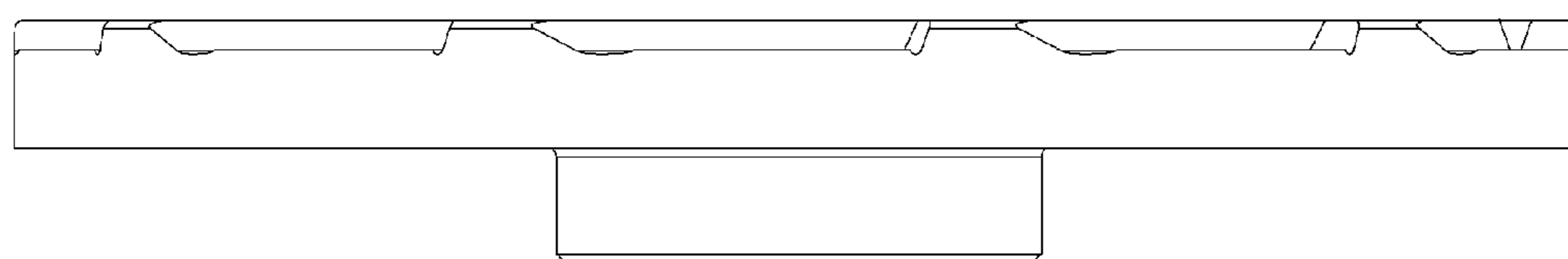


FIG. 12

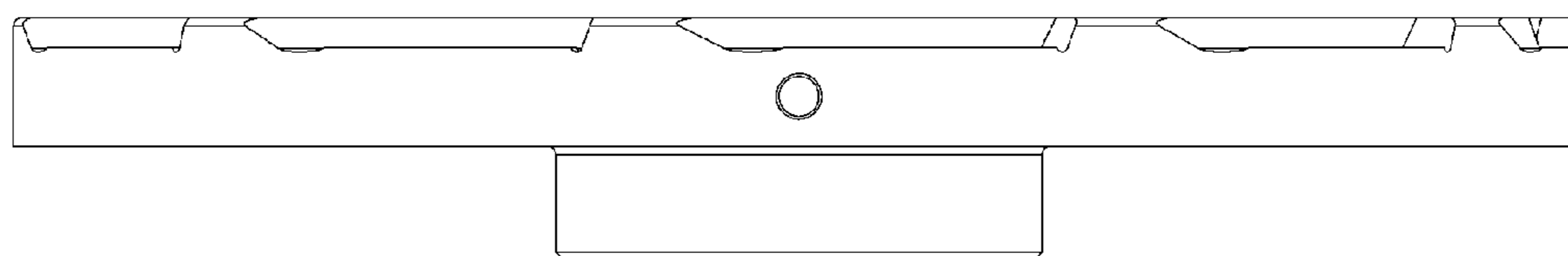


FIG. 13

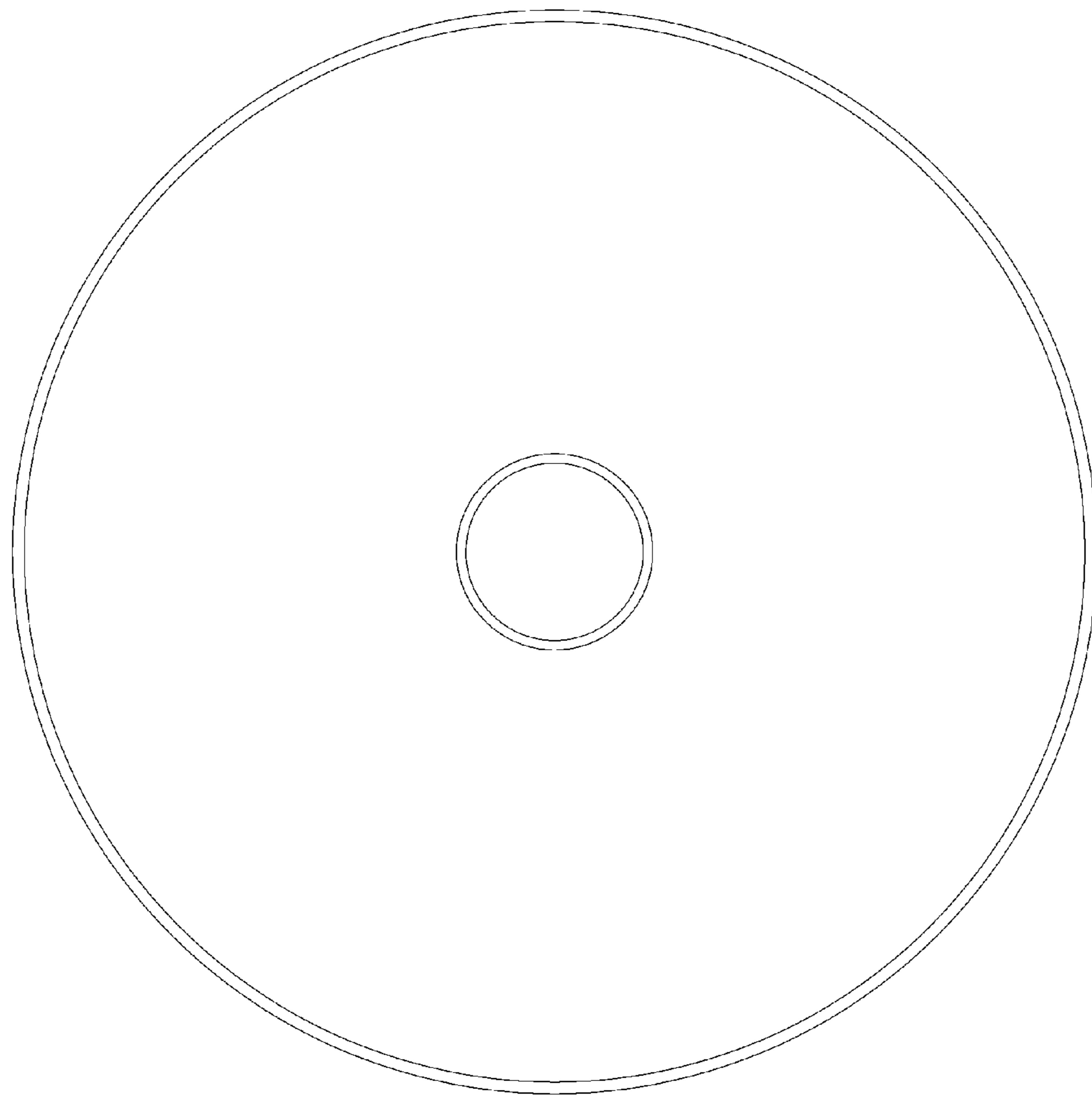


FIG. 14

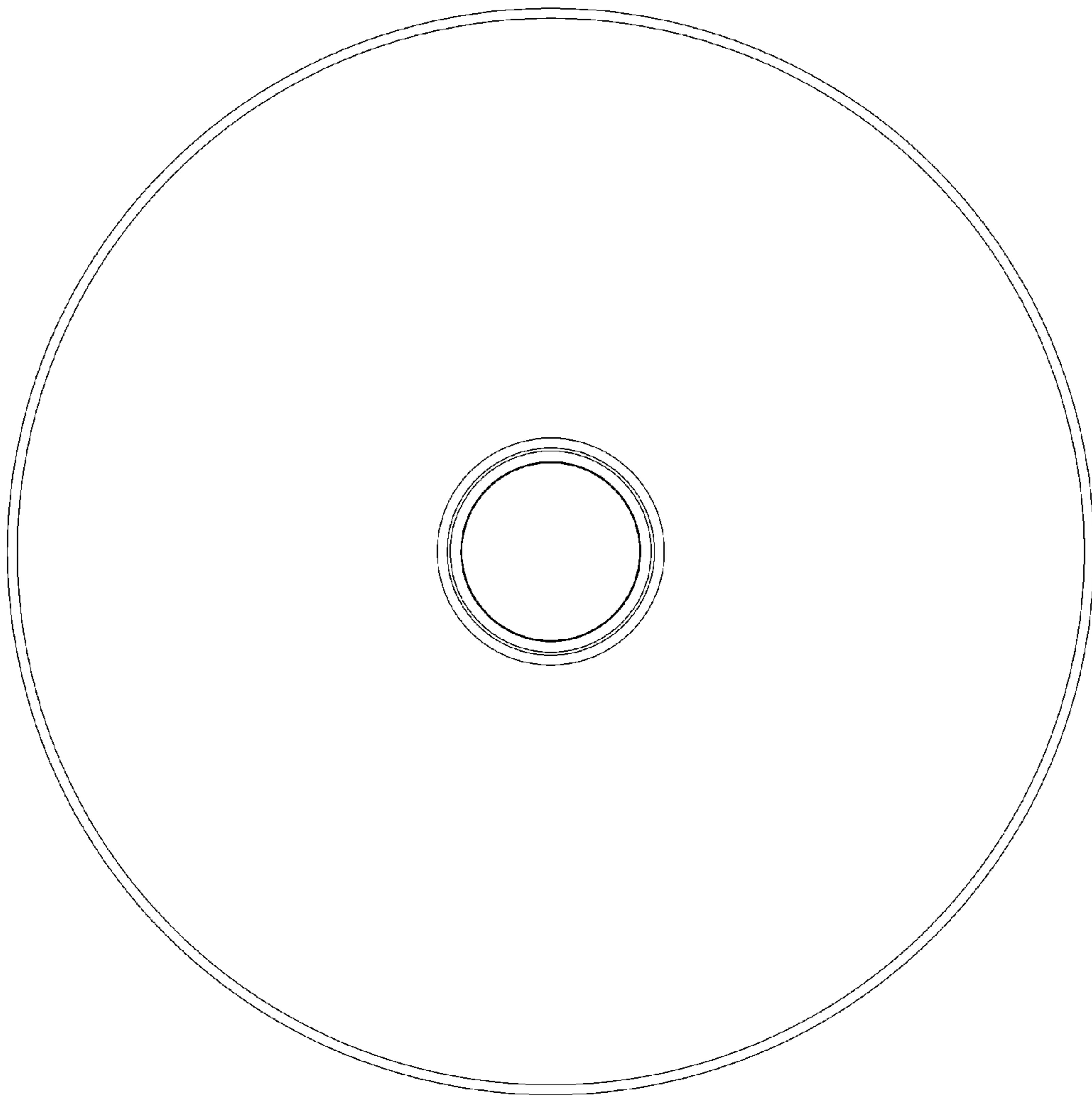


FIG. 15

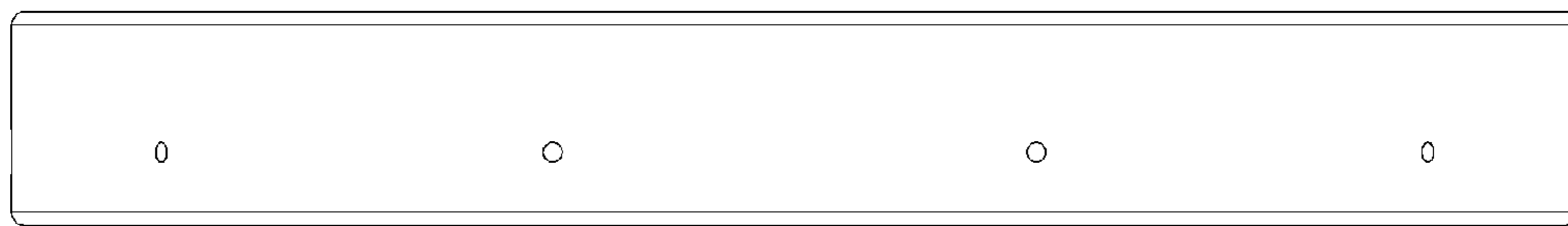


FIG. 16

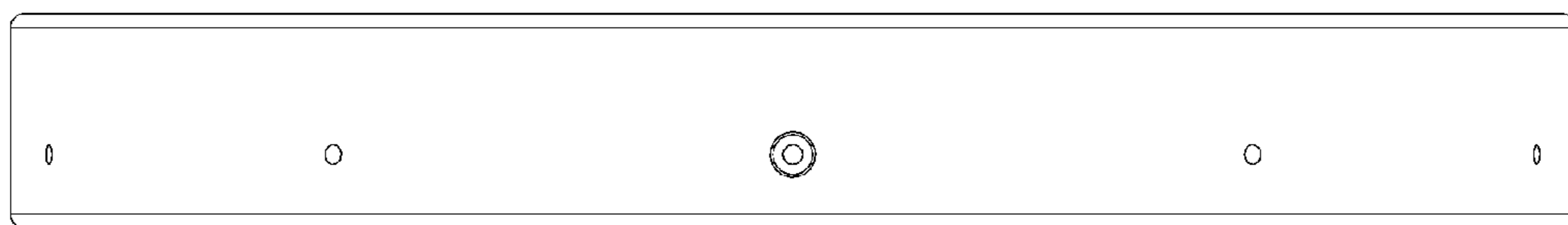


FIG. 17