



US00D696318S

(12) **United States Design Patent**
Ludwick et al.

(10) **Patent No.:** **US D696,318 S**
(45) **Date of Patent:** **** Dec. 24, 2013**

- (54) **REMOVABLE BASKET LID**
- (76) Inventors: **Gerald Ludwick**, Three Rivers, MI (US); **Shawn Winkelmann**, Elkhart, IN (US)
- (**) Term: **14 Years**
- (21) Appl. No.: **29/402,440**
- (22) Filed: **Sep. 23, 2011**
- (51) **LOC (9) Cl.** **15-09**
- (52) **U.S. Cl.**
USPC **D15/138**
- (58) **Field of Classification Search**
USPC D3/276; D7/602, 665; D15/138; D24/227; D34/10; 53/167, 425; 134/9, 134/18, 184
See application file for complete search history.

2006/0065666	A1 *	3/2006	Dunn et al.	220/676
2009/0218772	A1 *	9/2009	Asplund et al.	277/626
2010/0208862	A1 *	8/2010	Lorenzo et al.	376/432
2011/0186081	A1 *	8/2011	Dunn et al.	134/18
2012/0047850	A1 *	3/2012	Kemp et al.	53/425
2012/0152289	A1 *	6/2012	Smith et al.	134/109
2013/0185857	A1 *	7/2013	Worth et al.	4/294

* cited by examiner

Primary Examiner — Patricia Palasik

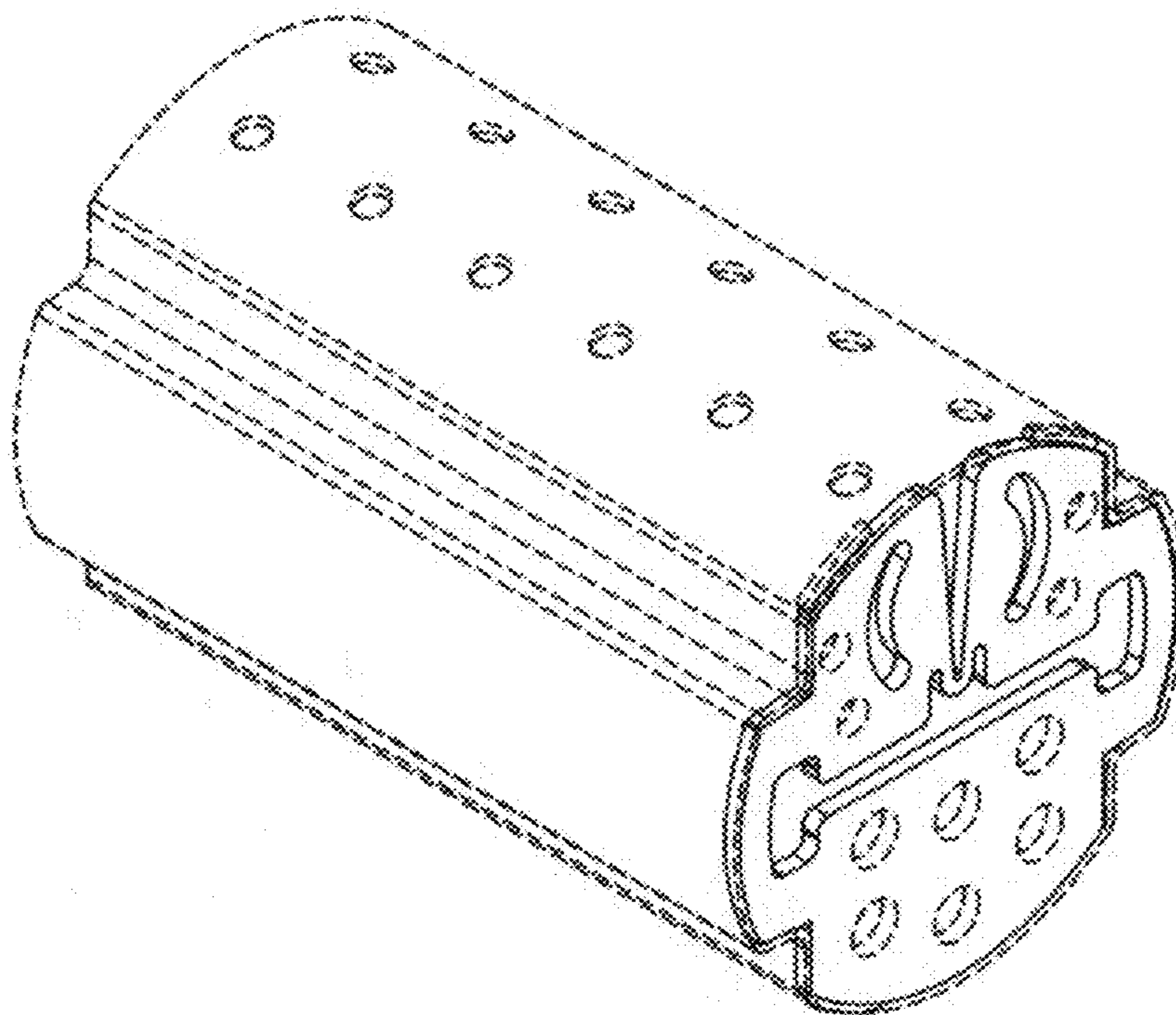
(57) **CLAIM**
The ornamental design for a removable basket lid, as shown and described.

DESCRIPTION

FIG. 1 is a front elevational view of a removable basket lid showing our new design.
FIG. 2 is a front perspective view of a removable basket lid as installed in a basket, showing our new design; and,
FIG. 3 is a front perspective view of a removable basket lid as uninstalled in a basket, showing our new design.
Any portions not shown form no part of the claimed design; any broken line illustration forms no part of the claimed design.

- (56) **References Cited**
U.S. PATENT DOCUMENTS
D633,928 S * 3/2011 Nilsson et al. D15/138
8,409,433 B2 * 4/2013 Worth et al. 210/163
2003/0096566 A1 * 5/2003 Fritz et al. 451/508

1 Claim, 1 Drawing Sheet



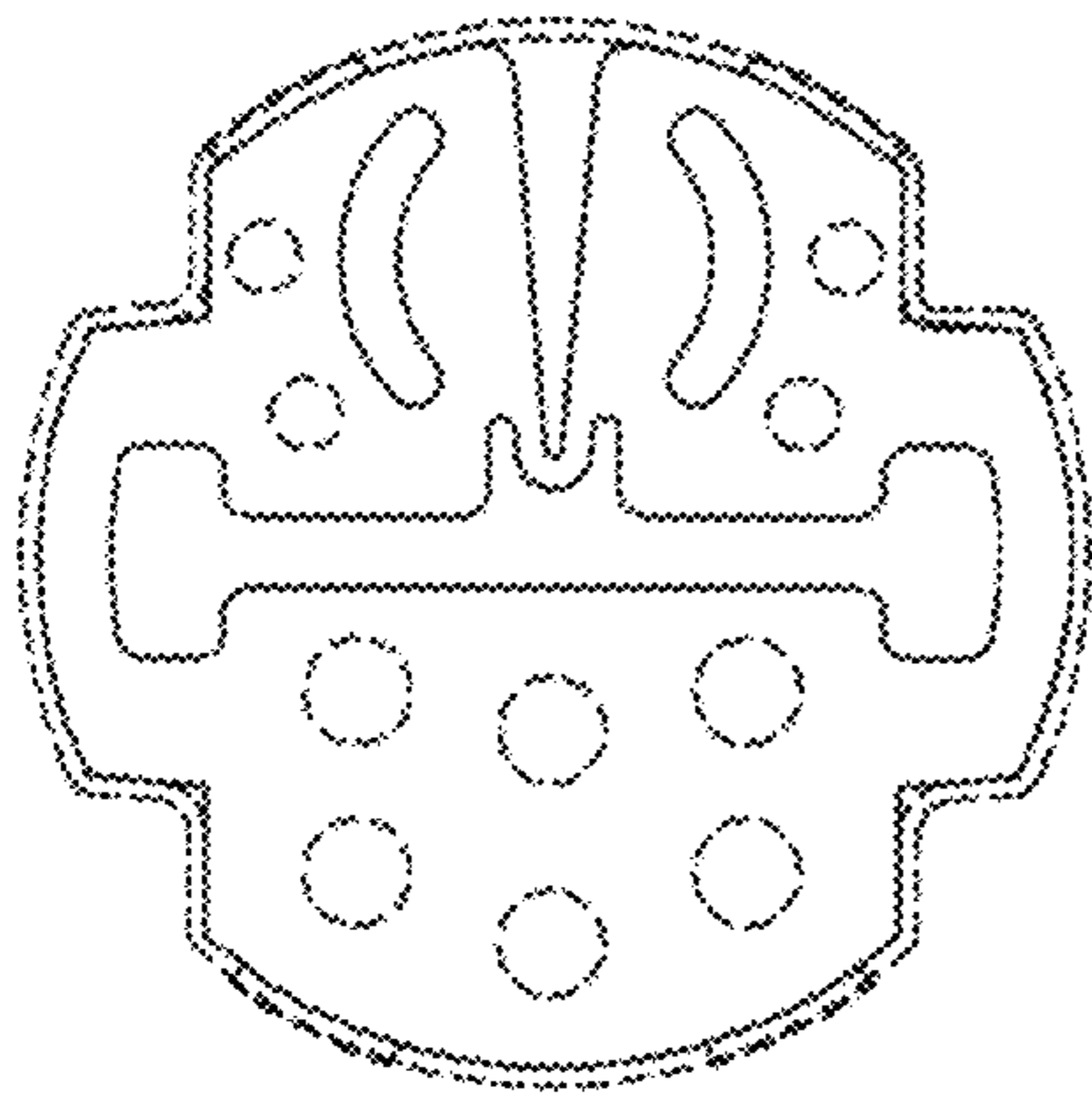


Fig. 1

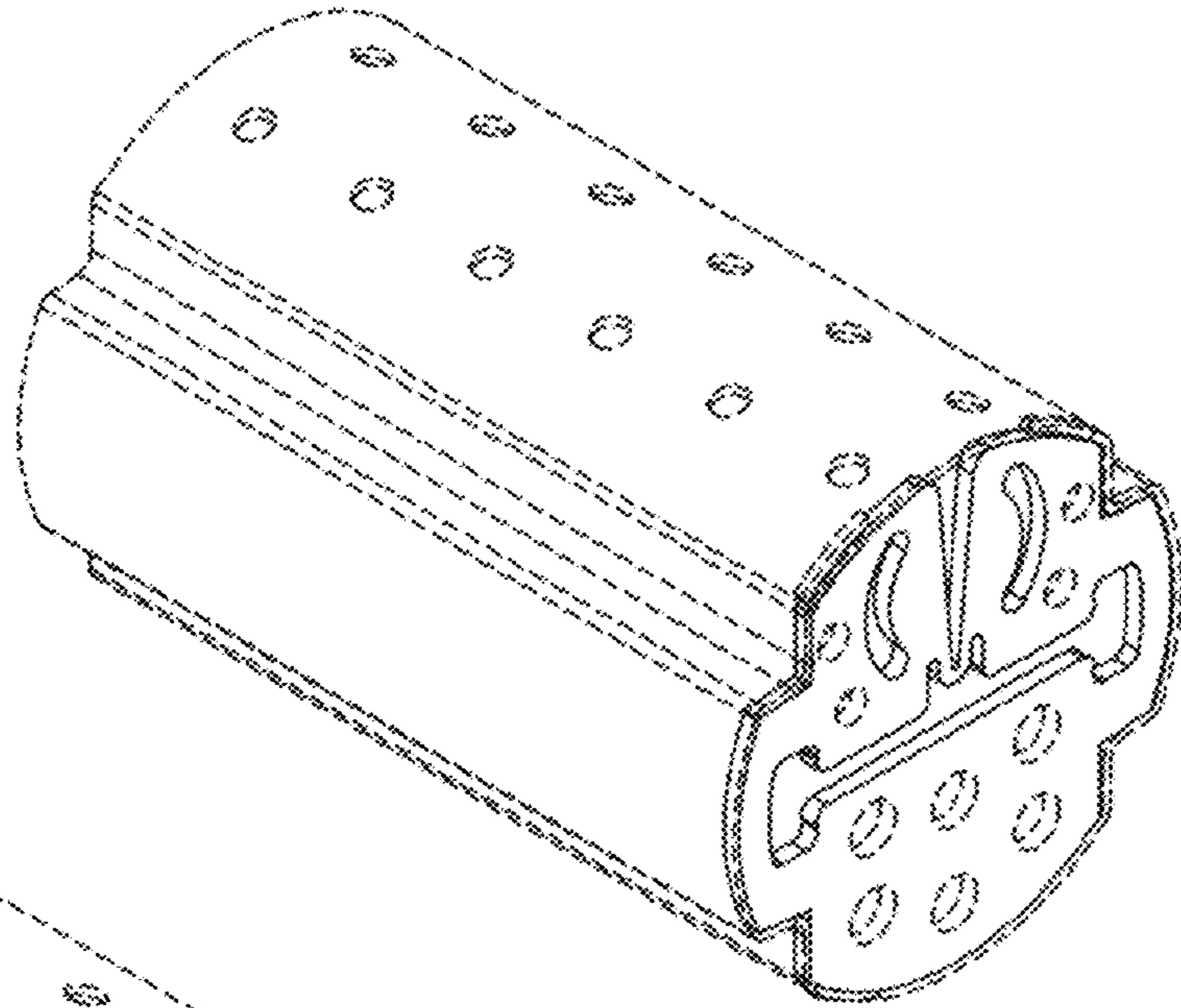


Fig. 2

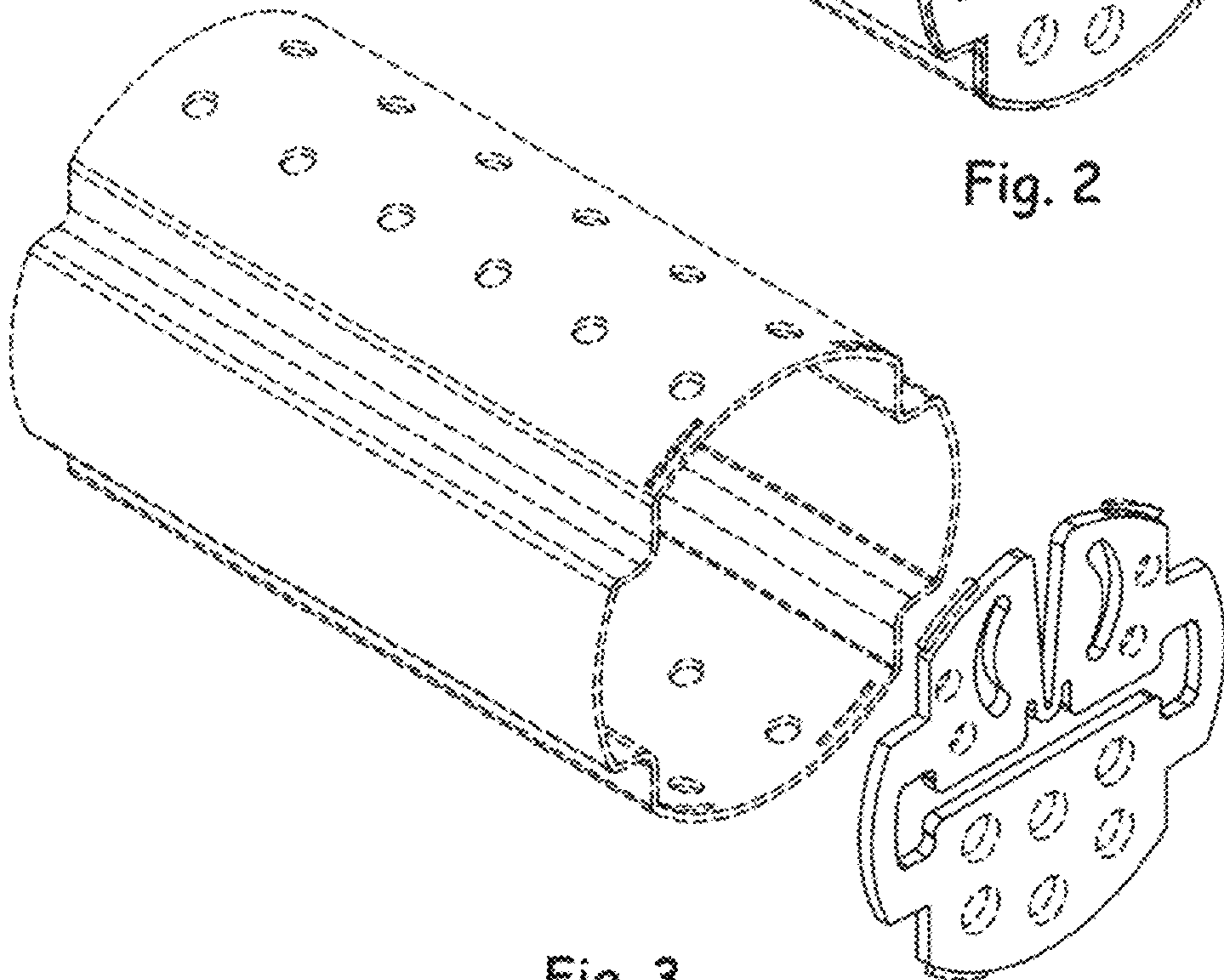


Fig. 3