



US00D696317S

(12) **United States Design Patent**
Carper

(10) **Patent No.:** **US D696,317 S**

(45) **Date of Patent:** **** Dec. 24, 2013**

(54) **DIE SEGMENT FOR A PROGRESSIVE FORMER**

(71) Applicant: **National Machinery LLC**, Tiffin, OH (US)

(72) Inventor: **Jeffrey W. Carper**, Tiffin, OH (US)

(73) Assignee: **National Machinery LLC**, Tiffin, OH (US)

(**) Term: **14 Years**

(21) Appl. No.: **29/433,214**

(22) Filed: **Sep. 27, 2012**

(51) **LOC (9) Cl.** **15-09**

(52) **U.S. Cl.**
USPC **D15/136**

(58) **Field of Classification Search**
USPC D15/128, 135, 136; 29/39, 432.1, 598, 29/596, 851; 72/478; 83/146, 345, 552, 83/684, 685, 690, 698.91; 249/135, 187; 274/395, 402, 416, 465.1, 466.8, 274/466.9, 467; 425/195, 237, 345, 363
See application file for complete search history.

(56) **References Cited**

U.S. PATENT DOCUMENTS

3,187,549	A *	6/1965	Guy	72/478
3,981,477	A *	9/1976	Armbrust et al.	249/135
4,144,785	A *	3/1979	von Langendorff	83/685
D254,256	S *	2/1980	Ackers et al.	D15/123
4,516,450	A *	5/1985	Shuttleworth	83/146

4,577,485	A *	3/1986	Moreiras	72/402
D457,537	S *	5/2002	Bond	D15/123
6,718,814	B2 *	4/2004	Bartrom et al.	72/402
7,287,411	B2 *	10/2007	Kuhne	72/465.1
D568,347	S *	5/2008	Manera et al.	D15/136
D592,685	S *	5/2009	Ferry	D15/128
7,540,181	B1 *	6/2009	Memmott	72/467
8,413,561	B2 *	4/2013	Thielges et al.	83/146
2002/0144531	A1 *	10/2002	Bartrom et al.	72/402
2005/0028351	A1 *	2/2005	Reiter et al.	29/598

* cited by examiner

Primary Examiner — Patricia Palasik

(74) *Attorney, Agent, or Firm* — Pearne & Gordon LLP

(57) **CLAIM**

The ornamental design for a die segment for a progressive former, as shown and described.

DESCRIPTION

FIG. 1 is an isometric view of a die segment for a progressive former showing my new design; FIG. 2 is a top plan view thereof; FIG. 3 is a front elevational view thereof; FIG. 4 is a left side elevational view thereof; FIG. 5 is a rear elevational view thereof; FIG. 6 is a right side elevational view thereof; FIG. 7 is a bottom plan view thereof; and, FIG. 8 is an isometric view thereof in assembled relation to 3 identical die segments shown in broken lines. The broken lines in the drawings depict unclaimed environmental subject matter.

1 Claim, 2 Drawing Sheets

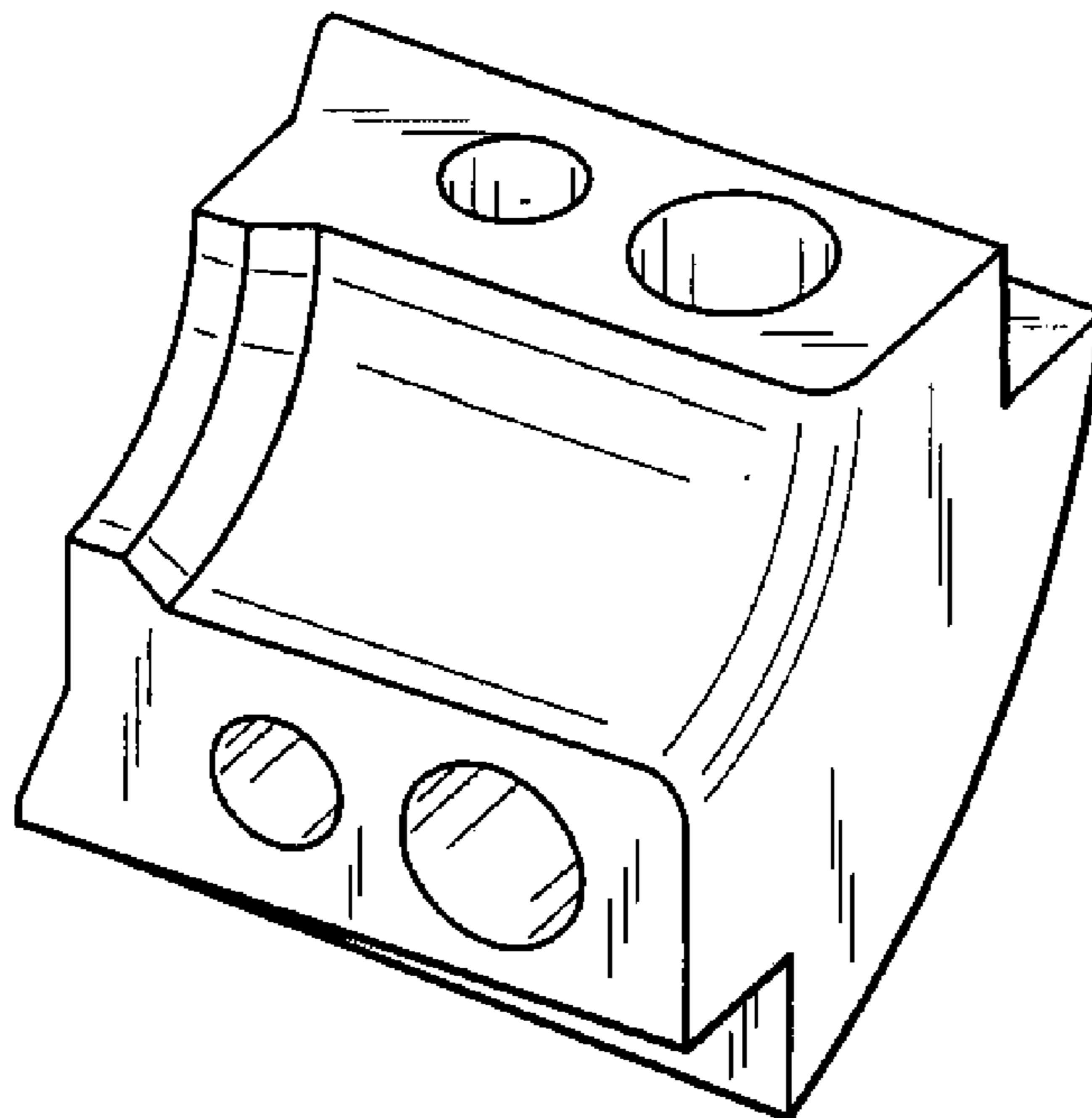


FIG. 1

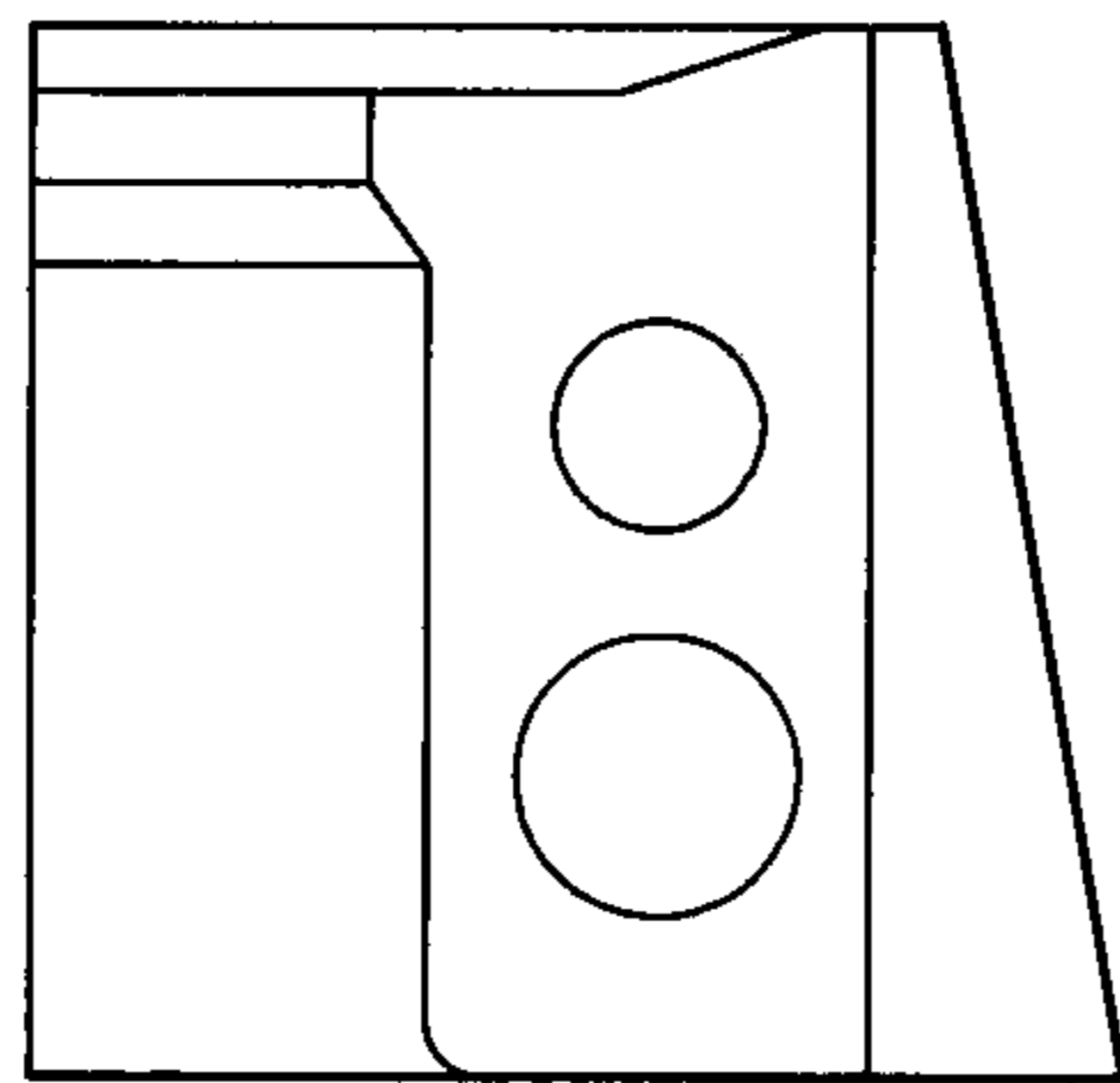
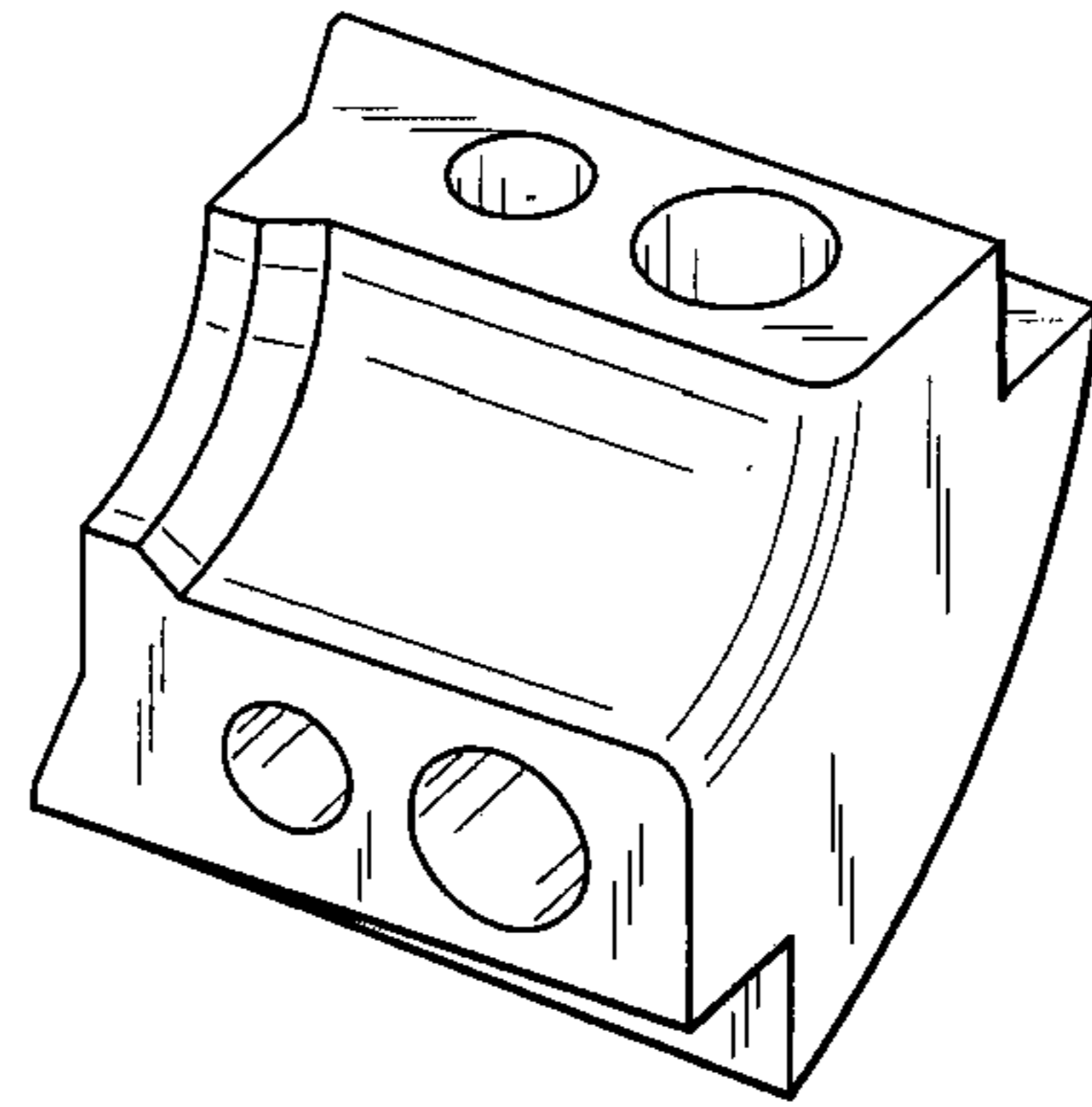


FIG. 2

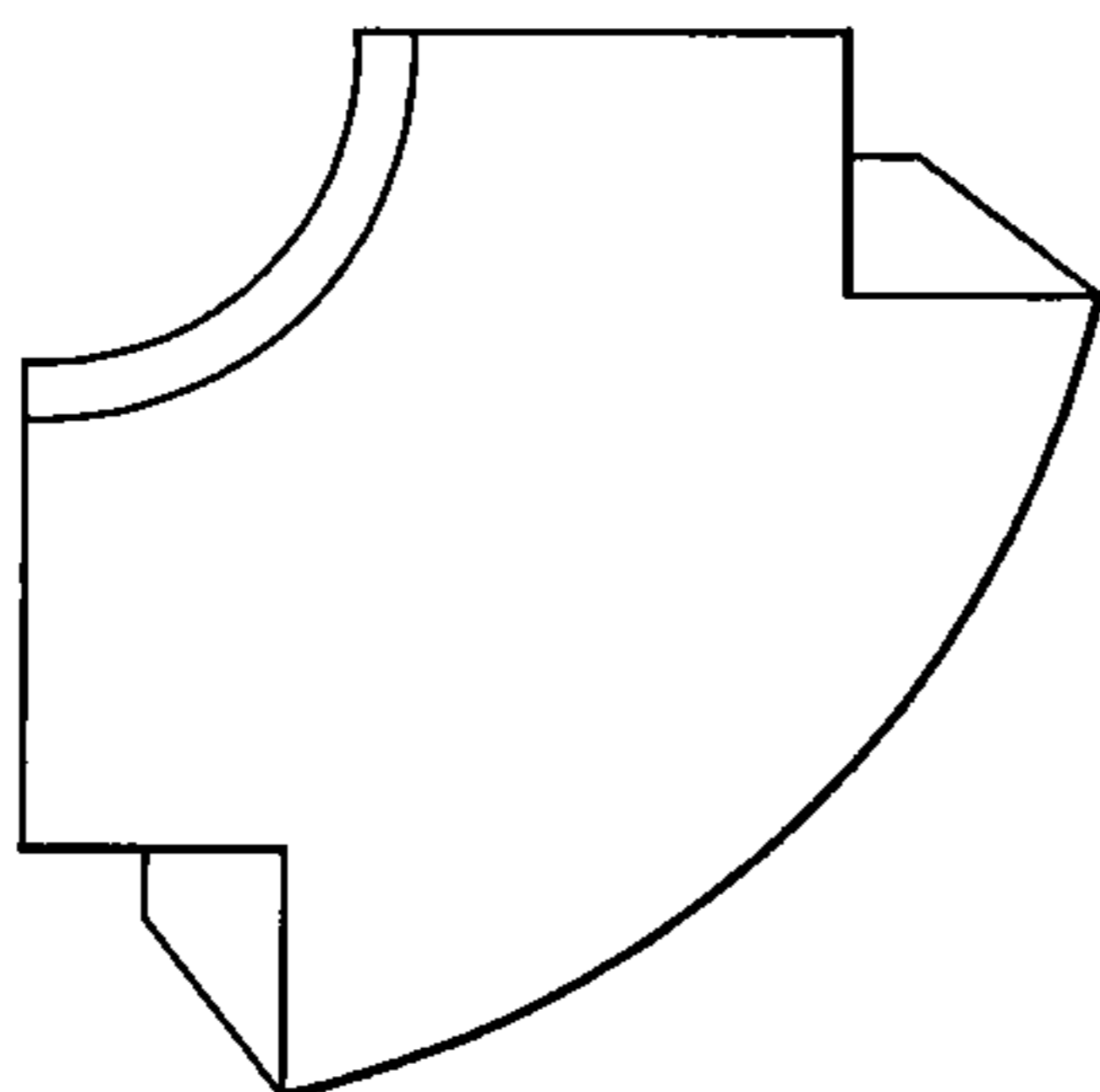


FIG. 3

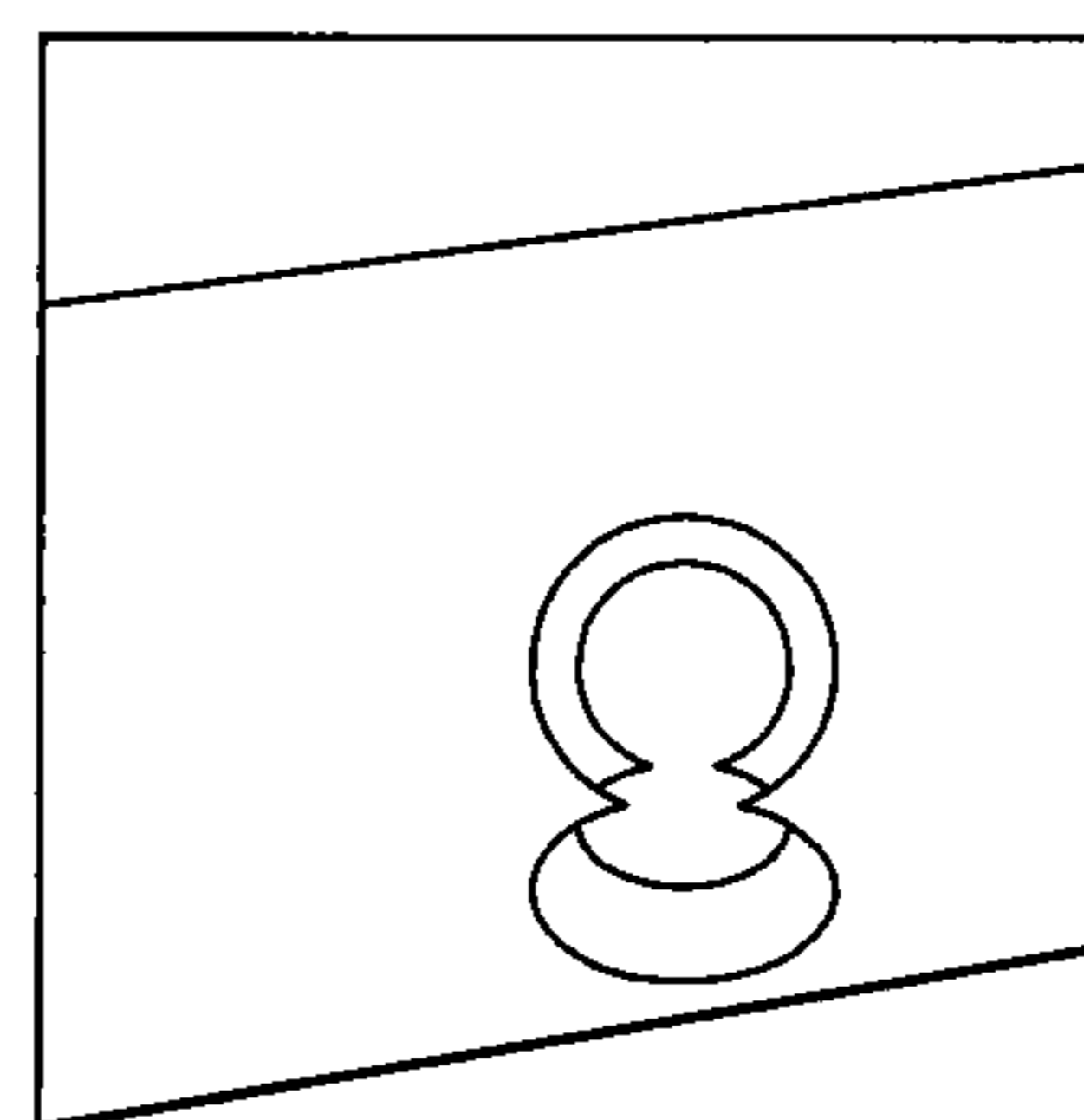


FIG. 4

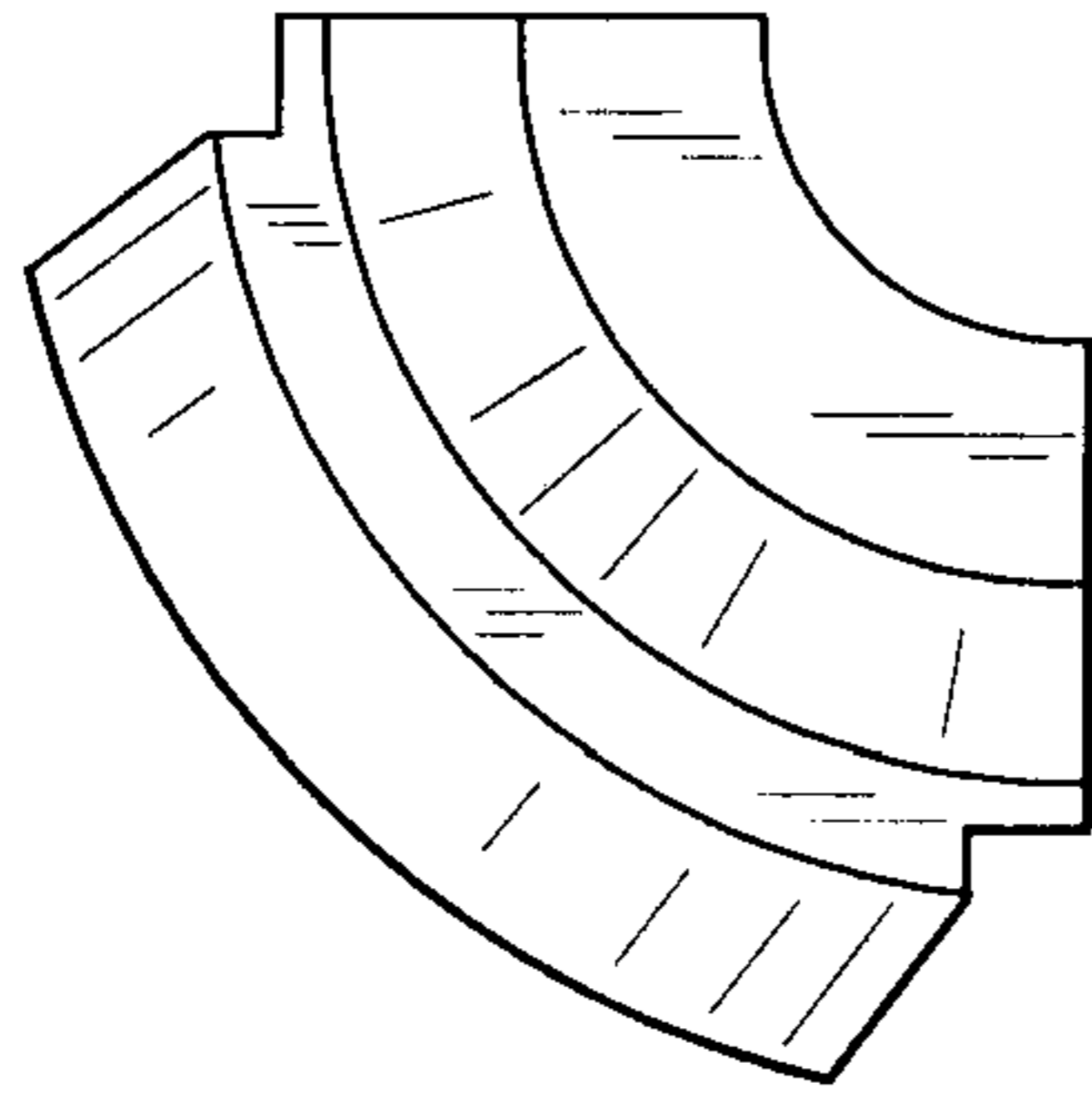


FIG. 5

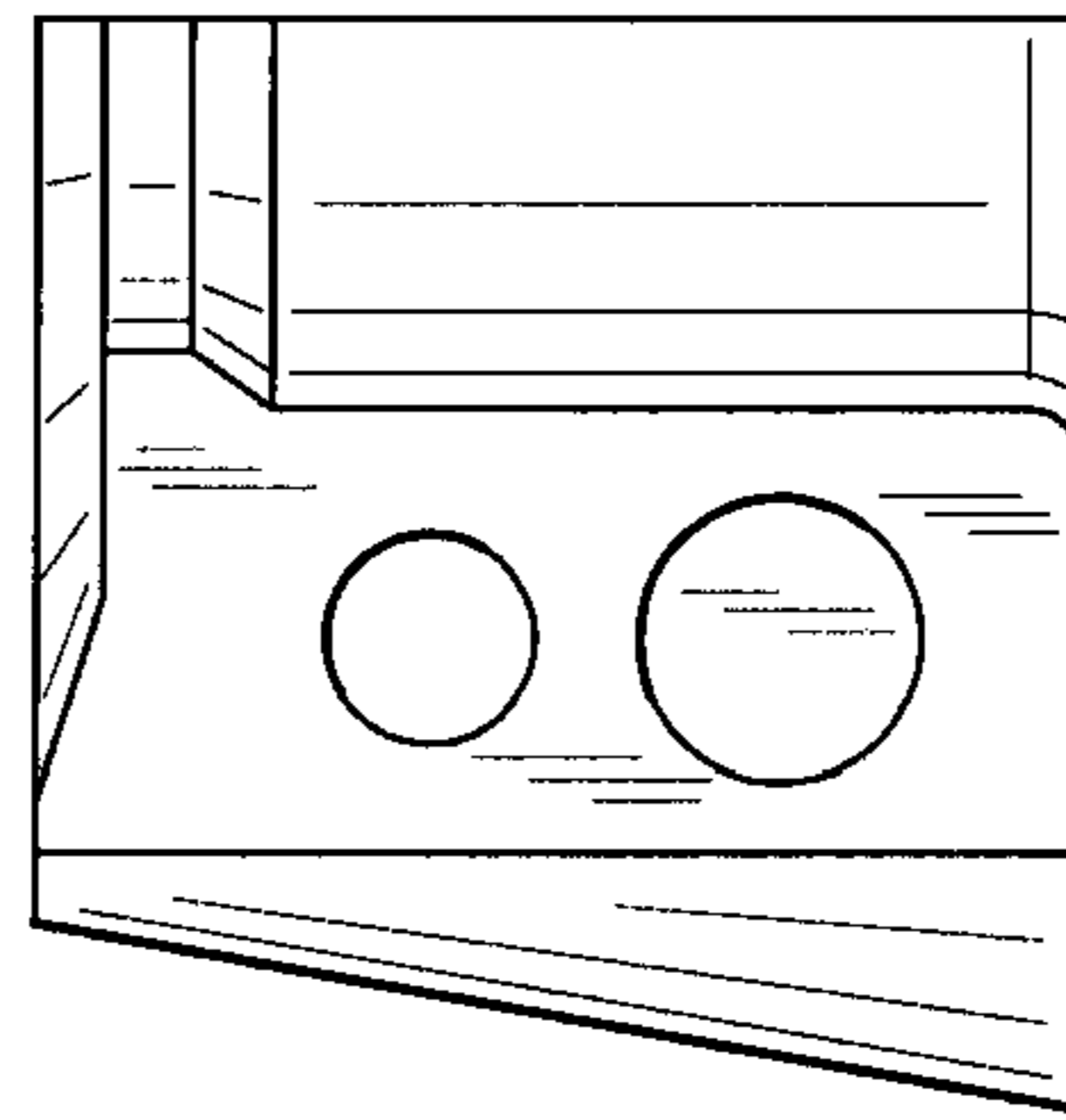


FIG. 6

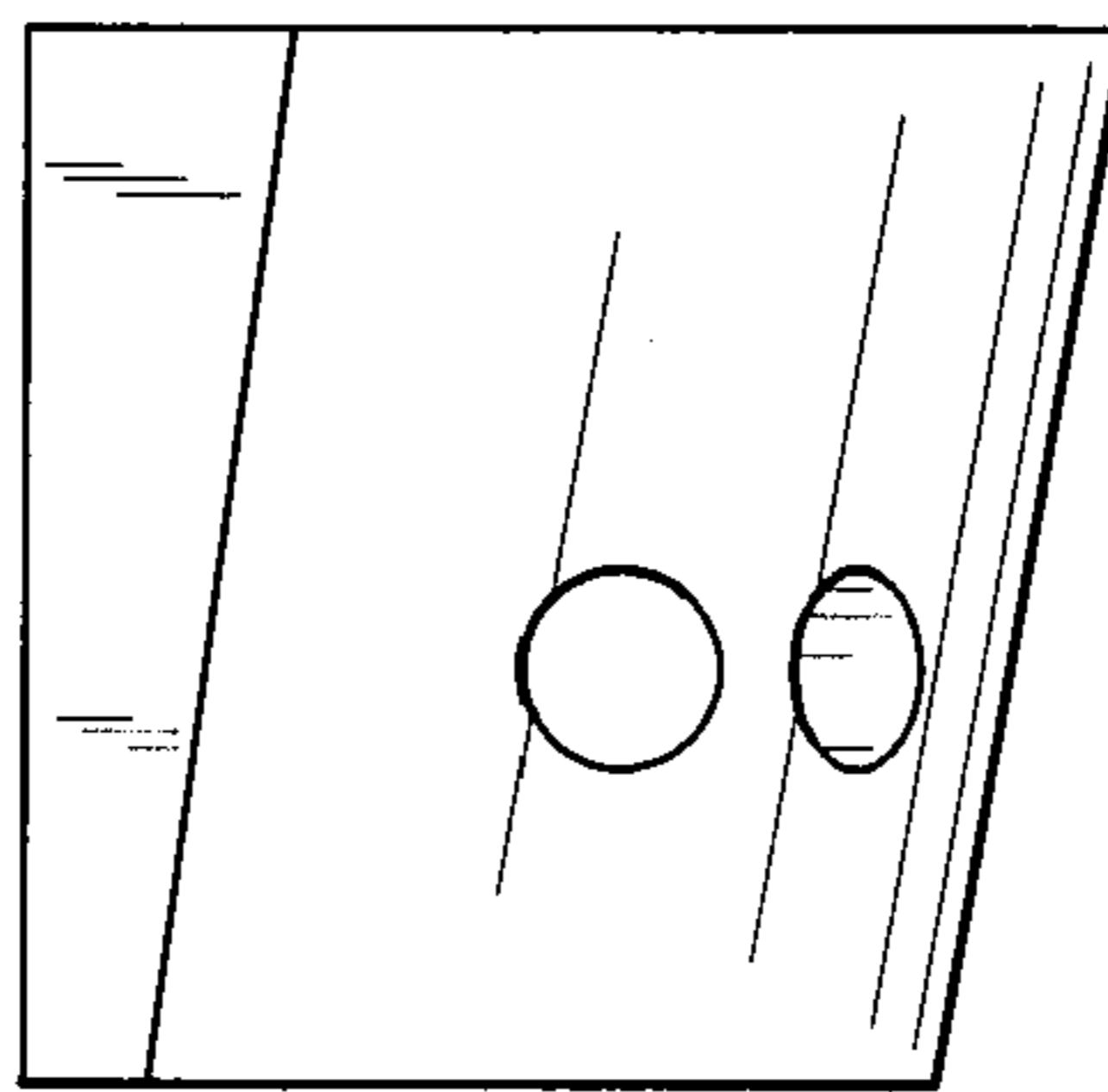


FIG. 7

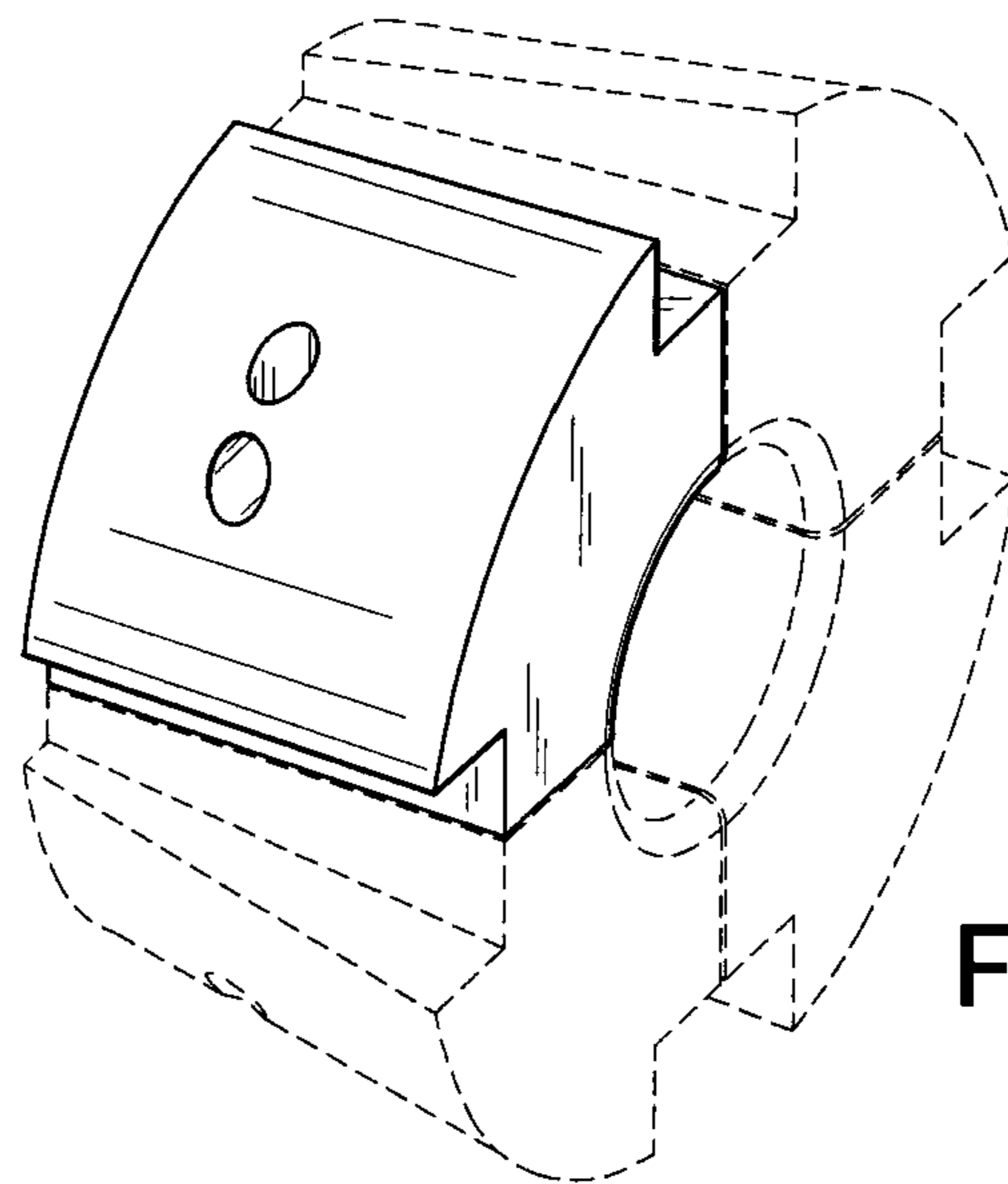


FIG. 8