



US00D696316S

(12) **United States Design Patent**  
**Raffaelli et al.**

(10) **Patent No.:** **US D696,316 S**

(45) **Date of Patent:** **\*\* Dec. 24, 2013**

(54) **OPHTHALMIC ROUGHING WHEEL**

(75) Inventors: **Dennis R. Raffaelli**, Oxford, MI (US);  
**Ronald C. Wiand**, Troy, MI (US)

(73) Assignee: **Inland Diamond Products Company**,  
Madison Heights, MI (US)

(\*\*) Term: **14 Years**

(21) Appl. No.: **29/372,764**

(22) Filed: **Jan. 7, 2011**

(51) **LOC (9) Cl.** ..... **15-09**

(52) **U.S. Cl.**  
USPC ..... **D15/126**

(58) **Field of Classification Search**  
USPC ..... D8/70, 90, 98; D15/124, 126, 127, 132,  
D15/138, 139; 83/589, 663, 676;  
451/548-551

See application file for complete search history.

(56) **References Cited**

**U.S. PATENT DOCUMENTS**

D377,362 S \* 1/1997 Mihailovic ..... D15/126

\* cited by examiner

*Primary Examiner* — Patricia Palasik

(74) *Attorney, Agent, or Firm* — Warn Partners, P.C.

(57) **CLAIM**

The ornamental design for an ophthalmic roughing wheel, as shown and described.

**DESCRIPTION**

FIG. 1 is a perspective view of an ophthalmic roughing wheel, in accordance with the present invention;

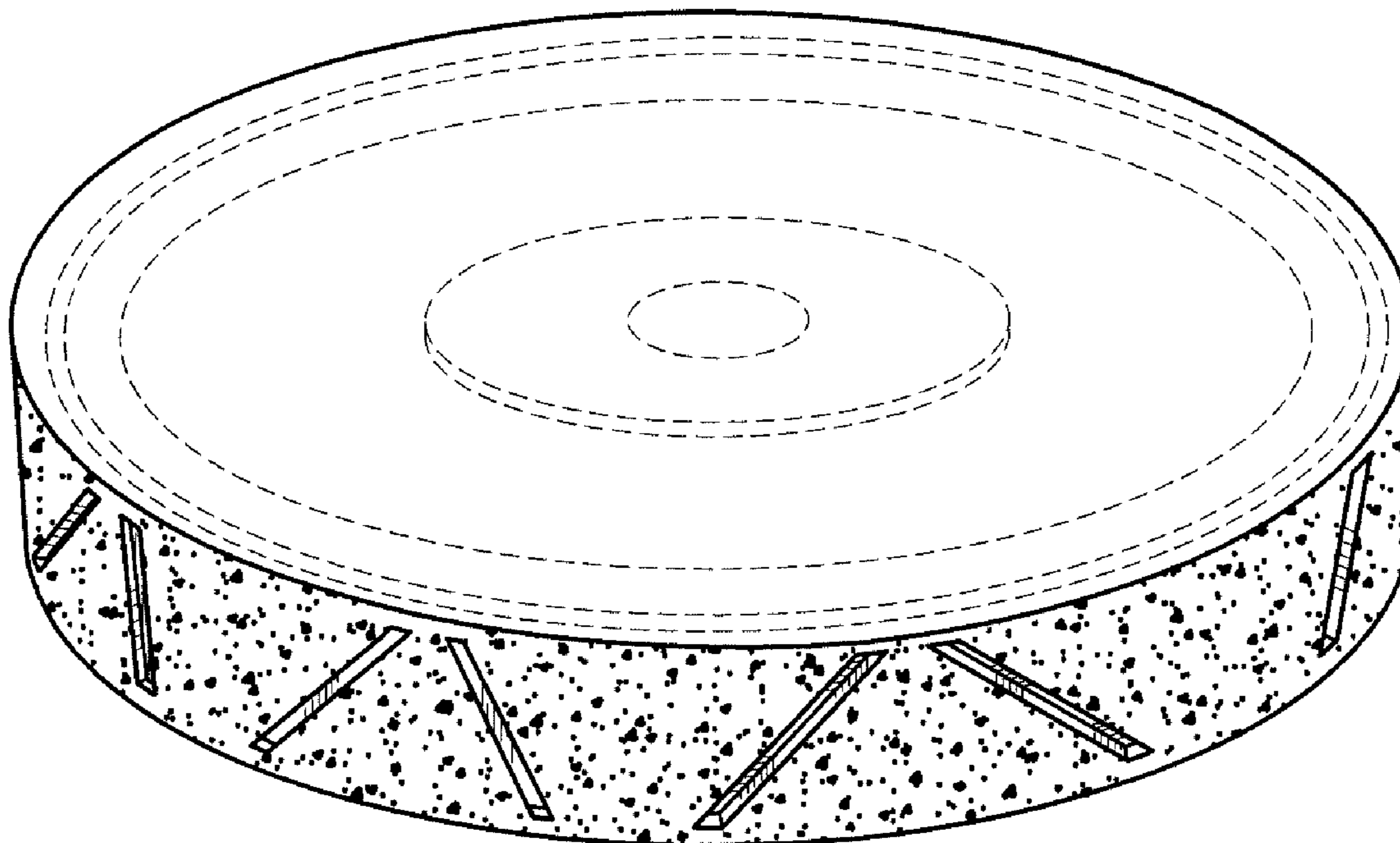
FIG. 2 is an elevation view of the ophthalmic roughing wheel of FIG. 1, in accordance with the present invention;

FIG. 3 is a top plan view of the ophthalmic roughing wheel of FIGS. 1-2;

FIG. 4 is an elevation view of the ophthalmic roughing wheel of FIGS. 1-3, in accordance with the present invention; and, FIG. 5 is a bottom plan view of the ophthalmic roughing wheel of FIGS. 1-4.

The broken lines in the figures showing other portions of an ophthalmic roughing wheel are for illustrative purposes only and form no part of the claimed ornamental design.

**1 Claim, 2 Drawing Sheets**



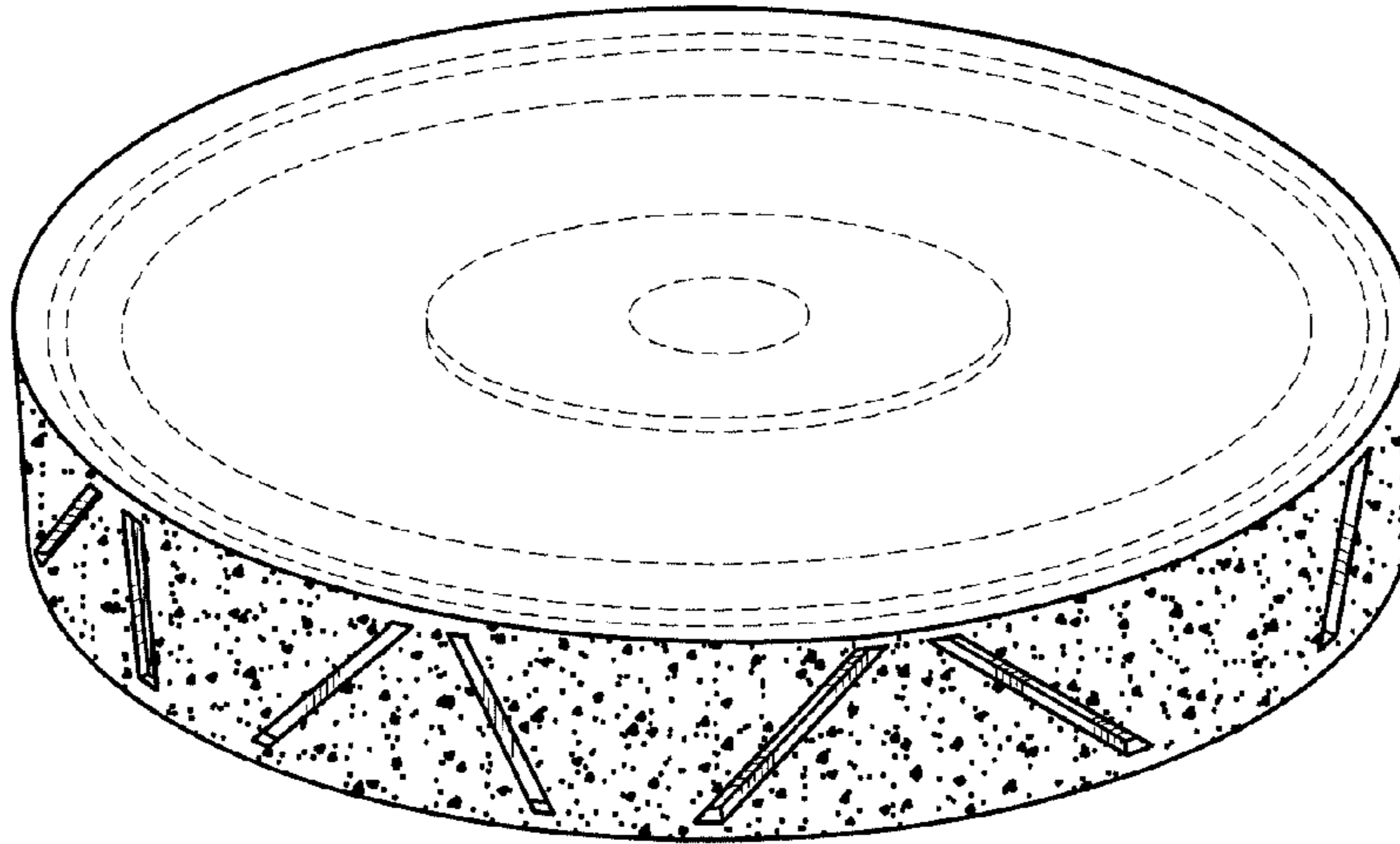


FIG - 1

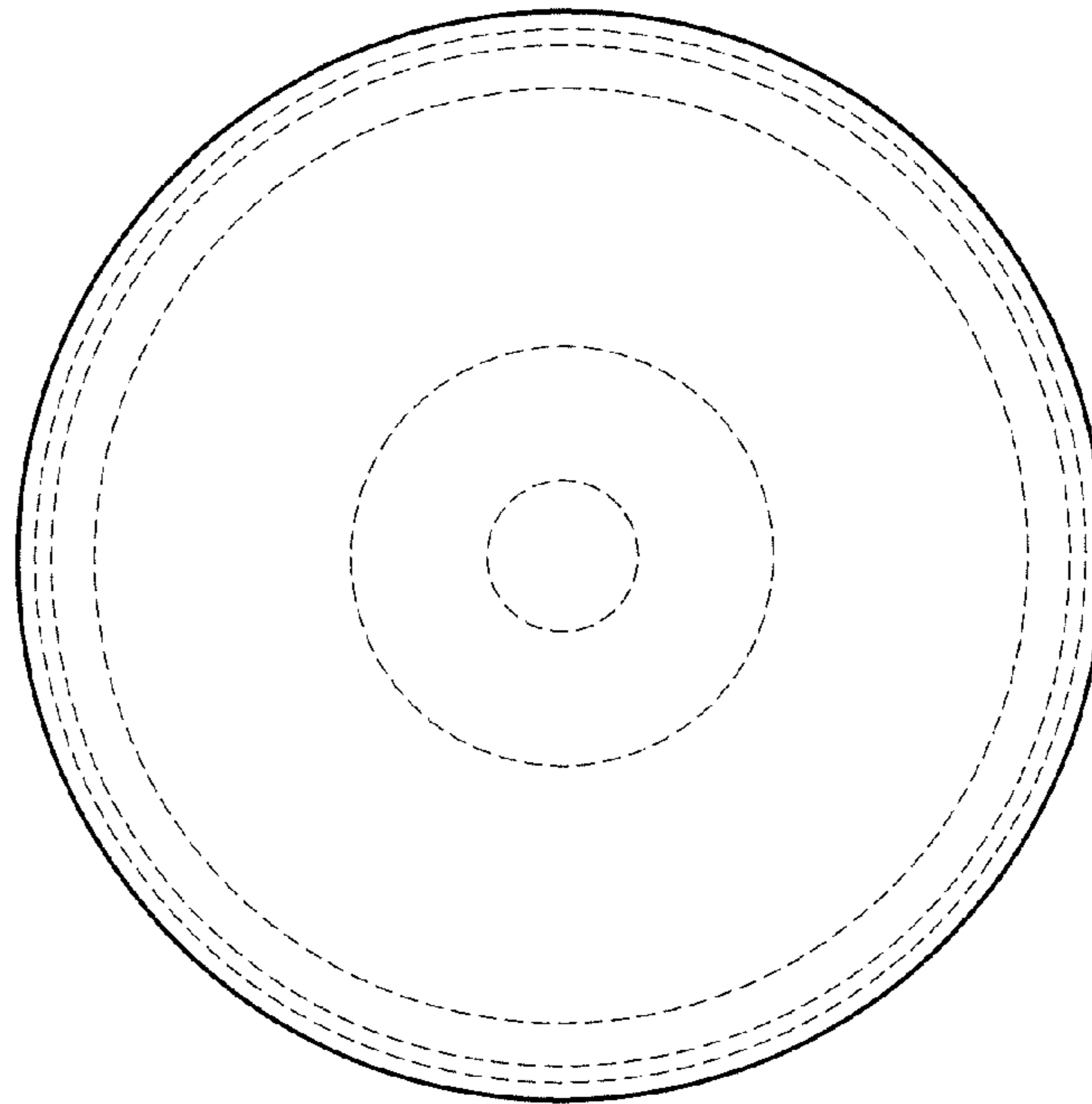


FIG - 2



FIG - 3

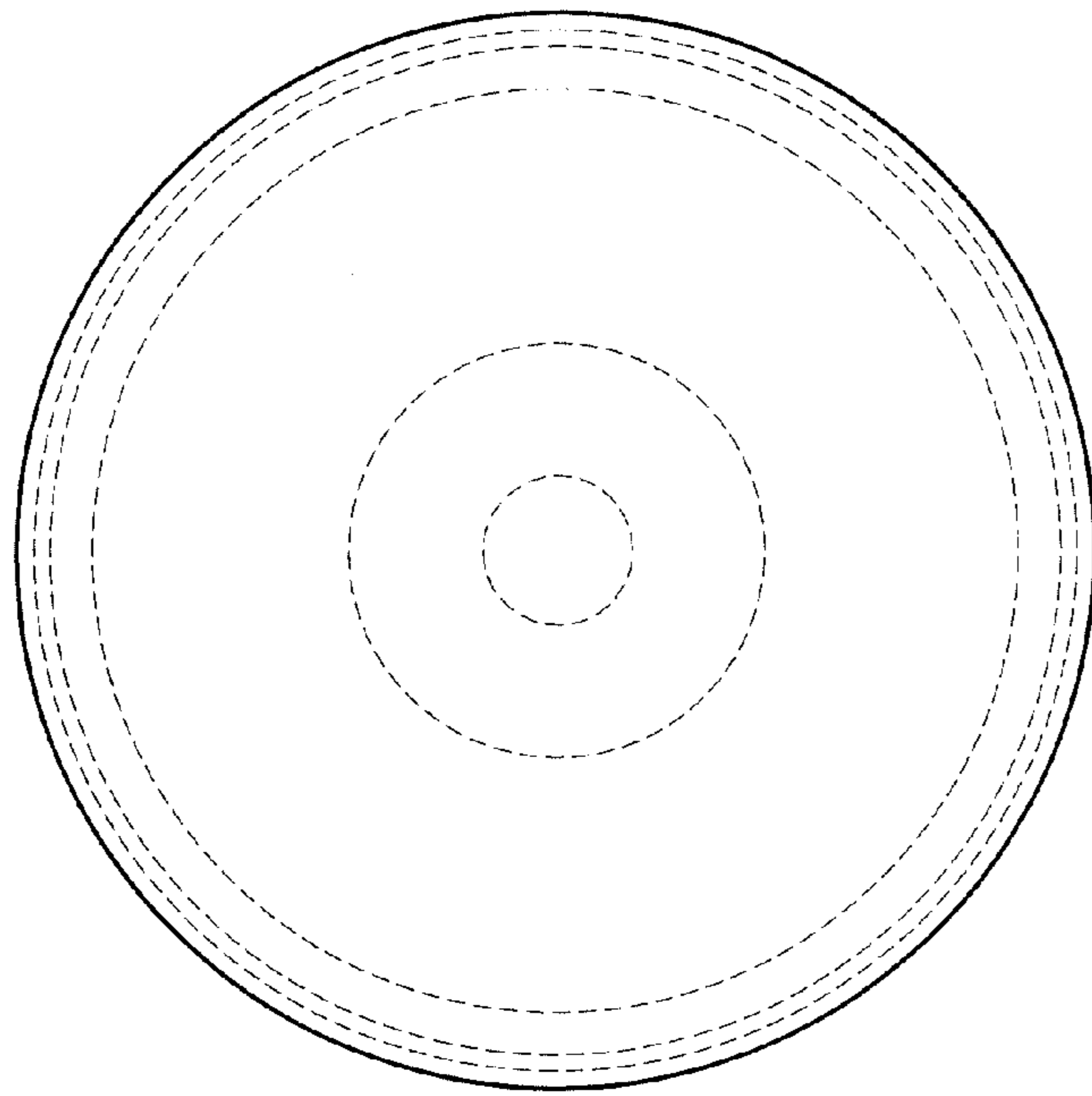


FIG - 4

FIG - 5

